

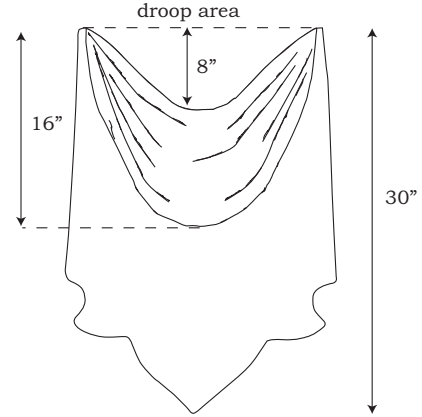
Cowl Swag I

9326

This cowl swag is cut in two pieces. This allows the top to have fullness while the bottom remains flat. The seam is hidden. When desired, ruffles or other trims could be added in the hidden seam. This swag is usually added to the front of a stationary side panel.

This finished swag can be 16" or up to 24" wide. The bottom flat portion can be altered in depth. There are no width alterations. No alterations for the cowl top.

The curtain has a pocket for a 2 1/2" continental rod. Other rods or poles that can be inserted into a pocket can be used instead. The header extends 6" above the rod and tapers down to 2".



Fabric Suggestions: Fabrics for the cowl top should not be stiff. Bulk is not a major problem. Stripes and plaids are okay. The swag can be lined in drapery lining but it may show around the edges unless a small cord is used in the seam.

The curtain has a facing on back that extends from the top of the header to below the pocket. It is usually the same fabric as the curtain. Interlining can be used in the curtain and swag. Interfacing can be used in the header and in the swag ruffle.

Ruffle Fabric: This ruffle has no gathers at the inside seam, therefore it is cut in a curve shape. Stripes, plaids, and directional designs will not work well.

YARDAGE

With so many different fabric width and repeats available today, we find it works best if we give you the actual pattern sizes so you can determine how they will fit on your fabrics.

- Cowl Swag Top
- 16" wide The pattern is 24" wide x 18" deep
 - 20" wide The pattern is 27" wide x 18" deep
 - 24" wide The pattern is 30" wide x 18" deep

- Swag Bottom
- 16" wide The pattern is 22" wide x 31" deep
 - 20" wide The pattern is 24" wide x 31" deep
 - 24" wide The pattern is 28" wide x 31" deep

Same amount of lining will be needed. Also, same amount of interlining (optional).

- Ruffle for one swag (all sizes) 3/8 yd (also same amount to line)
- Ruffle interfacing (all sizes) 1/2 yd

CURTAIN

One width at each side of the window will suffice for windows up to 100" wide. Use 1 1/2 widths at each side for windows reaching 150". Beyond that use two widths to each side.

For shopping purposes, consider your finished length is from the top of the rod to the floor.

- Curtain fabric Finished length plus 18".
- Curtain facing Same width as curtain fabric x 16" deep. (Maximum amount for large pockets.)
- Facing interfacing (optional) Same width as curtain fabric x 7" deep.
- Lining Finished length.
- Interlining (optional) Finished length.
- 1 pk hem tape (to be used inside pocket)

- Yardage for Cord** (sides and bottom)
- 16" wide swag 77"
 - 20" wide swag 79"
 - 24" wide swag 82"



FAY9326+1