

Curved Box Valance

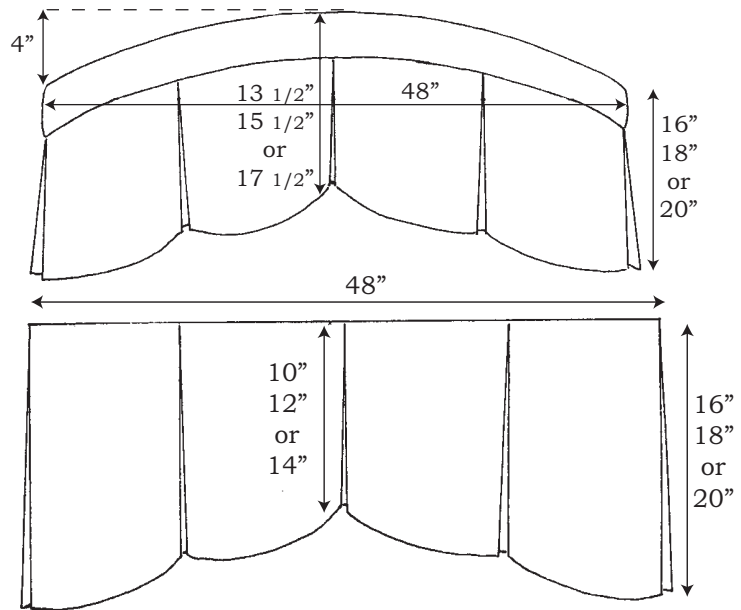
9104

This valance and board pattern fits a **width of 48" with depth choices shown below**. Any other size will require alterations. Alteration instructions are included; they are time consuming and may be considered difficult.

The inverted box pleated valance attaches behind the face of this 4" deep upholstered cornice. It is recommended for sizes no wider than 56" because the top arch shape will become too elongated to be effective.

This is the same valance on a straight mount board. Each scallop section can be as wide as you want.

Fabric suggestions: Stay away from fabrics that may be difficult or too bulky to pleat. Vertical stripes and some plaids will work. Solids and textures are also good. The fabric can be railroaded for a seamless valance. When cutting upright the seams will be hidden.



YARDAGE

K Jh 'gc' a UbmX|ZfYbhZMf]Wk |Xhg'UbXfYdYUg'Uj U'UVYhcXUnk YZ]bX|hik cf_gVgh|ZkY
 [lj Ynci 'hYUMi U'dUhf'b'gnYg'c'nci 'Vb XYMfa]bY\ck 'h Ymk]''Z]hcb'nci f'ZM]W

Cornice Fabric: Fabric piece needs to be.....64" wide x 12" deep
 Also the same fabric to cover top of board.....52" wide x 10" deep

20" VALANCE DEPTH: (yardage is very close to same for both styles)
 For a seamless valancethe pattern is110" wide x 22" deep
 For a valance with seams.....1 cut.....41 1/2" wide x 18" deep
 2 cuts.....35" wide x 22" deep

18" VALANCE DEPTHSame as above, 2" shorter in depth

16" VALANCE DEPTHSame as above, 4" shorter in depth

Same amount of lining will be needed.

Yardage for Trims: (Trims must be able to curve)

Bottom edge of valance117"
 1/2" cord for top and bottom edge of cornice124"

Supplies for Cornice:

- 1/4" plywood for face (front and back), also ends
- 2 pieces of wood: 3/4" x 3" x 4" (for 3 1/2" projection) or 3/4" x 5" x 4" (for 5 1/2" projection)
- Wood screws
- Quilt batting to pad the face slightly.
- "L" Brackets are used for installation, every 3' to 4'.

More detail information about yardage and alterations is given inside packet.