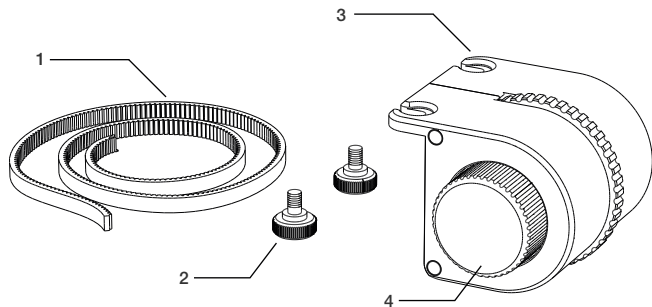


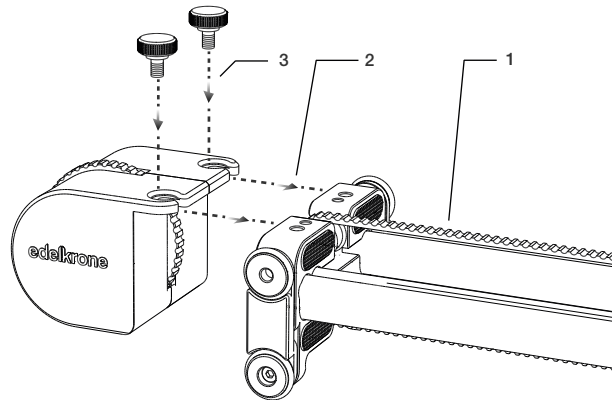
1. WHAT'S IN THE BOX & THE BASICS



1. Motion control belt for SliderPLUS & SliderPLUS PRO
2. Connection screws for Steady Module

3. Steady Module
4. Tension adjustment

2. ATTACHING STEADY MODULE



1. Use motion control belt with Steady Module.
2. Attach Steady Module to SliderPLUS.
3. Place the connection screws and tighten.



A detailed video explaining how to attach Steady Module can be found at:
<http://edel.kr/stdm>

STEADY MODULE

USER'S MANUAL

Before operating your edelkrone,
please watch the user's manual video.

<http://edel.kr/stdm>

