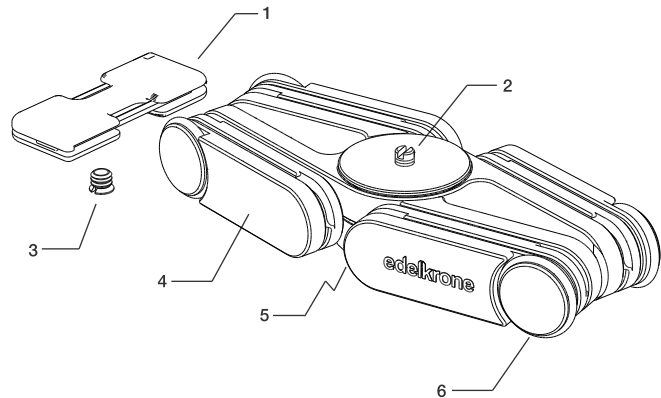
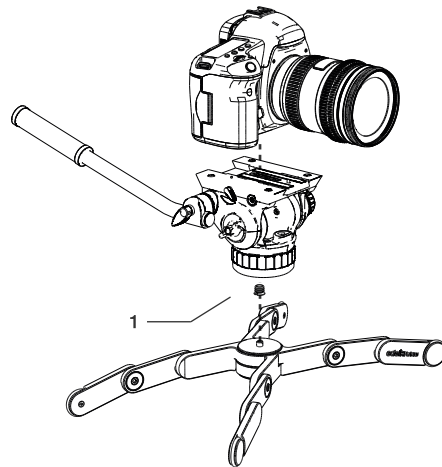


## 1. WHAT'S IN THE BOX & THE BASICS



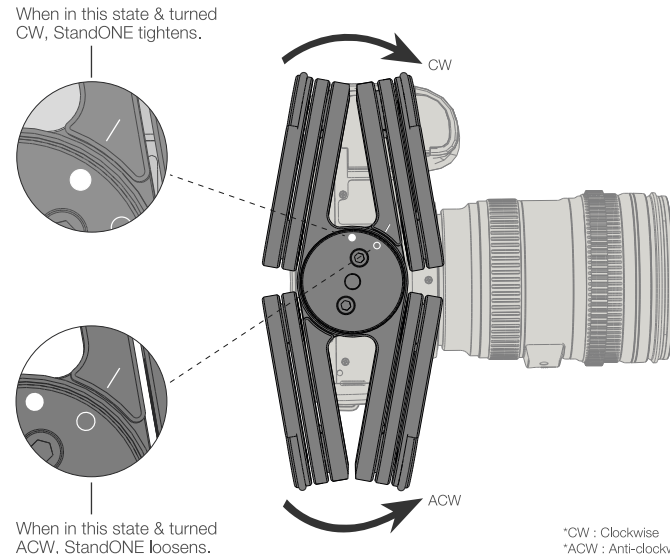
1. Allen keys
2. 1/4"-20 Mounting screw
3. 1/4"-20 to 3/8"-16 adapter screw
4. Foldable legs
5. 1/4"-20 Mounting port
6. Silicon feet

## 2. MOUNTING



Mount the tripod head/camera over StandONE by rotating it clock-wise.  
If you are using a tripod head with a 3/8"-16 mounting port, you will need to attach the included adapter screw(1).

## 3. MOUNTING YOUR CAMERA WITH THE HELP OF THE MARKS

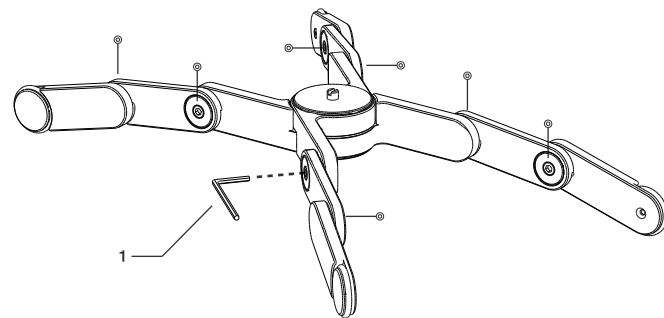


## TABLE OF CONTENTS

1. WHAT'S IN THE BOX & THE BASICS
2. MOUNTING
3. MOUNTING YOUR CAMERA WITH THE HELP OF THE MARKS
4. ADJUSTING TENSION OF YOUR STANDONE

#### 4. ADJUSTING TENSION OF YOUR STANDONE

---



You can adjust the tension of the system with the help of a 3mm allen wrench (1). Simply tighten or loosen the screws as shown above.

#### DISCLAIMER

---

edelkrone cannot be held responsible for damage caused by improper use or modification of the product.

## STANDONE

### USER'S MANUAL

Before operating your edelkrone, please watch the user's manual video.

<http://edel.kr/standone>

