

# POCKETRIG v3

## USER'S MANUAL

Before operating your edelkrone, please watch the user's manual video from the link below.

<http://edel.kr/prv3>

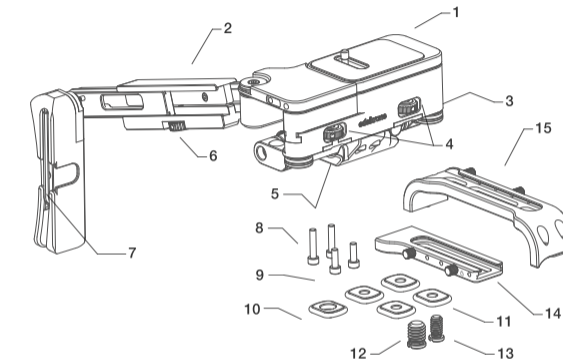


edelkrone  
filmmaking solutions

### TABLE OF CONTENTS

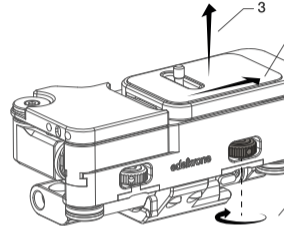
1. WHAT'S IN THE BOX & THE BASICS
2. MOUNTING YOUR POCKETRIG v3 TO YOUR CAMERA
3. MOUNTING YOUR POCKETRIG v3 TO YOUR CAMERA (CONT.)
4. HOW TO USE THE POCKETRIG v3 ARM
5. HOW TO USE THE POCKETRIG v3 ARM (CONT.)
6. ADJUSTING THE TENSION OF THE POCKETRIG v3 ARM
7. HOW TO USE THE FOLDABLE RODS
8. HOW TO SET FOCUSONE v2
9. ATTACHING THE HALF CAGE ON POCKETRIG v3
10. HOW TO USE THE HALF CAGE
11. FULL RIG SETUP

### 1. WHAT'S IN THE BOX & THE BASICS

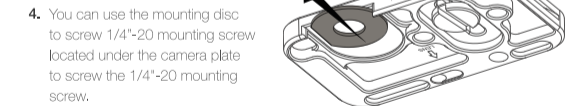


1. PocketRIG v3
2. Shoulder support
3. 15 mm rods
4. Mounting wheels
5. 1/4"-20 & 3/8"-16 mounting ports
6. Arm length adjustment knob
7. 3 mm Allen key
8. M4x20 SHCS (2 pcs.)
9. M4x16 SHCS (2 pcs.)
10. 3/8"-16 female mounting piece (1 pcs.)
11. 1/4"-20 female mounting piece (4 pcs.)
12. 3/8"-16 male mounting screw
13. 1/4"-20 male mounting screw
14. Top cage part
15. Side cage part

### 2. MOUNTING YOUR POCKETRIG v3 TO YOUR CAMERA



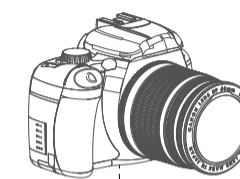
1. Loosen the camera plate mounting wheel.
2. Slide the camera plate as shown.
3. Remove the camera plate.



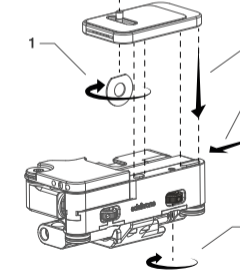
4. You can use the mounting disc to screw 1/4"-20 mounting screw located under the camera plate to screw the 1/4"-20 mounting screw.

A detailed video explaining the mounting process can be found at: <http://edel.kr/prv3>

### 3. MOUNTING YOUR POCKETRIG v3 TO YOUR CAMERA (CONT.)



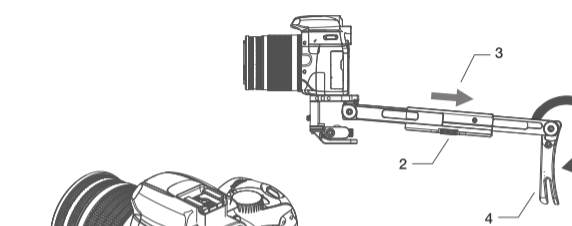
1. Screw the 1/4"-20 mounting screw to your camera using the mounting disc.
2. Snap the camera plate into the body.
3. Slide the camera plate in the direction of the arrow as shown until you hear a click.
4. Tighten the mounting wheel.



Pay attention to the camera direction. Mount the camera according to the mark on the bottom of the camera plate.

A detailed video explaining the mounting process can be found at: <http://edel.kr/prv3>

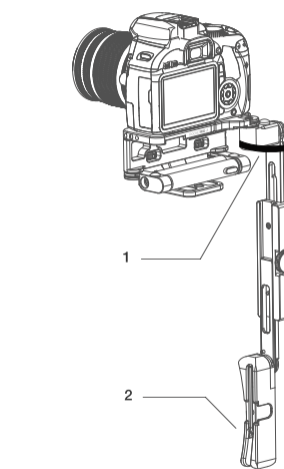
### 4. HOW TO USE THE POCKETRIG v3 ARM



1. Swing open the shoulder support arm as shown.
2. Loosen the tension adjustment wheel.
3. Extend the shoulder support arm and tighten the tension adjustment wheel.
4. Rotate the shoulder support until it stops moving.

A detailed video explaining how to use the PocketRIG v3 arm can be found at: <http://edel.kr/prv3>

### 5. HOW TO USE THE POCKETRIG v3 ARM (CONT.)



1. To extend the arm downwards, swing the arm all the way out and rotate it down.
2. Attach to your belt using the gap in the shoulder piece.

Using your belt allows you to shoot longer with heavier equipment without fatigue.

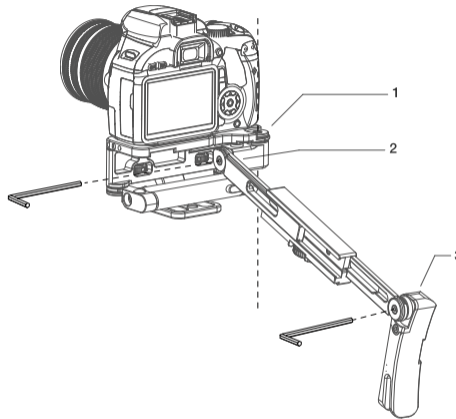
If you are not going to attach any equipment / accessories on the rods, keep them closed while using your PocketRIG.

While using the support arm, place the curved part on your chest. Hold your camera with your right hand and hold the lens with your left hand for the best stabilization.

To avoid getting pinched while folding and unfolding the system, always hold your camera with one hand and move the parts from the ends with your other hand.

A detailed video explaining how to use the rods can be found at: <http://edel.kr/prv3>

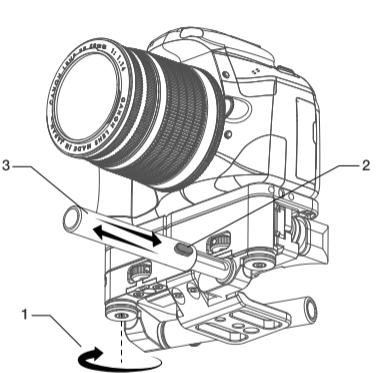
## 6. ADJUSTING THE TENSION OF THE POCKETRIG v3 ARM



PocketRIG v3 has three points for tension adjustments. You can adjust the tension of these points by using your 3 mm Allen key.

A detailed video explaining how to use the PocketRIG v3 arm can be found at: <http://edel.kr/prv3>

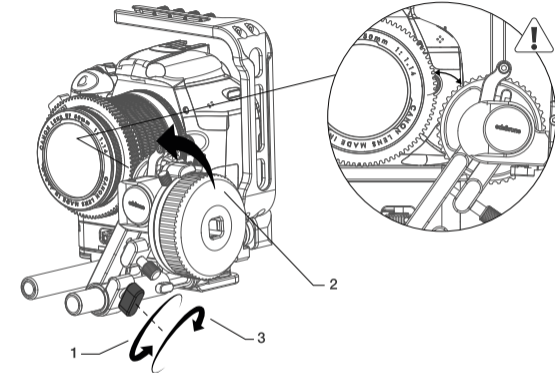
## 7. HOW TO USE THE FOLDABLE RODS



1. Swing open the rods until they click and stop.
2. Loosen the rod knob.
3. Extend the rod as much as you want and tighten the rod knob back.

A detailed video explaining how to use the foldable rods can be found at: <http://edel.kr/prv3>

## 8. HOW TO SET FOCUSONE v2

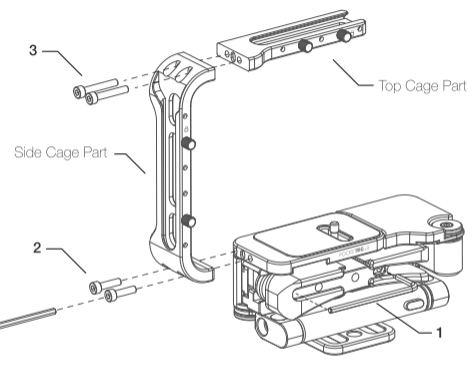


If there is a gap between lens gear and focus wheel gear after you tighten the thumb screw and rod knobs, follow these steps:

1. Loosen only FocusONE v2's thumb screw.
2. Push it back to the lens gear.
3. Tighten the thumb screw as you push FocusONE v2 toward your lens.

A detailed video explaining how to use the foldable rods can be found at: <http://edel.kr/prv3>

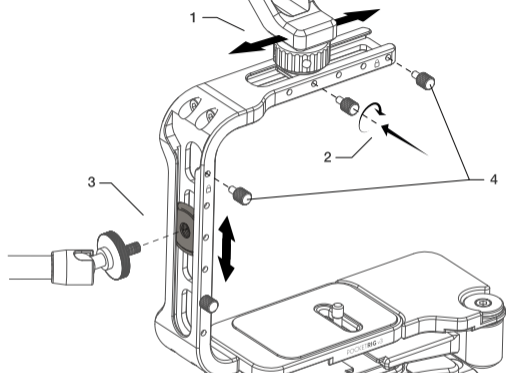
## 9. ATTACHING THE HALF CAGE ON POCKETRIG v3



1. Remove the 3 mm Allen key from the magnetic surface of the shoulder support.
2. Screw x2 M4x16 SHCS.
3. Screw x2 M4x20 SHCS.

A detailed video explaining how to attach the half cage can be found at: <http://edel.kr/prv3>

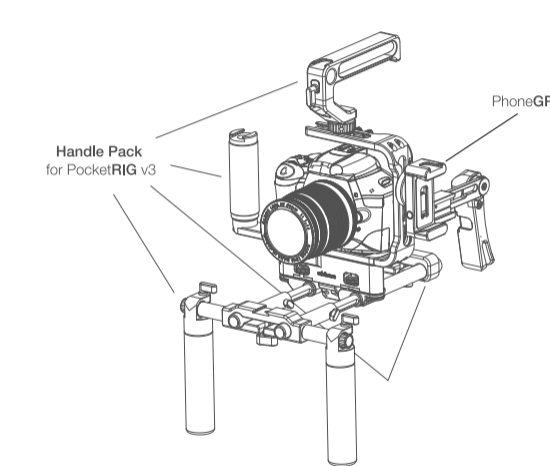
## 10. HOW TO USE THE HALF CAGE



1. Accessories with cold shoes can be attached anywhere on the half cage.
2. After you set your cold shoe, use the security knobs to secure your accessories.
3. 1/4"-20 female mounting pieces can be used anywhere on the half cage.
4. You can use the security knobs on the end of the cage to protect against any possible accidents.

A detailed video explaining how to use the half cage can be found at: <http://edel.kr/prv3>

## 11. FULL RIG SETUP



A detailed video explaining how to use PocketRIG v3 can be found at: <http://edel.kr/prv3>

## DISCLAIMER

edelkrone cannot be held responsible for damage caused by improper use or modification of the product.

For more information and tips about your PocketRIG v3, please watch the users manual videos at the link, <http://edel.kr/prv3>