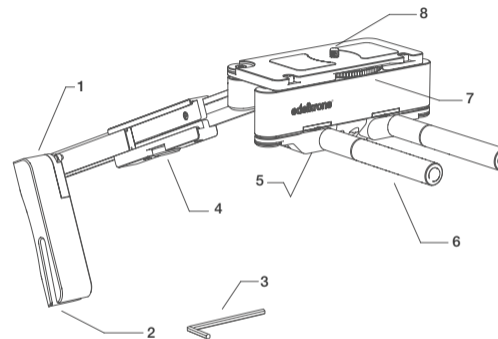


1. WHAT'S IN THE BOX & THE BASICS

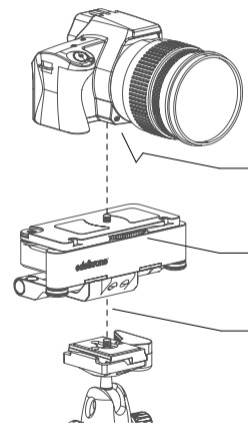


1. Shoulder piece
2. Belt attachment
3. 3mm Allen wrench
4. Arm length adjustment knob
5. 1/4" - 20 Mounting port
6. 15mm Rods
7. Mounting wheel
8. 1/4" - 20 Mounting screw

TABLE OF CONTENTS

1. WHAT'S IN THE BOX & THE BASICS
2. MOUNTING YOUR POCKETRIG² TO YOUR CAMERA AND ON A TRIPOD
3. HOW TO USE THE POCKETRIG² ARM
4. ADJUSTING THE TENSION OF THE POCKETRIG² ARM
5. HOW TO SET THE LENGTH OF THE RODS
6. CAUTIONS AND TIPS

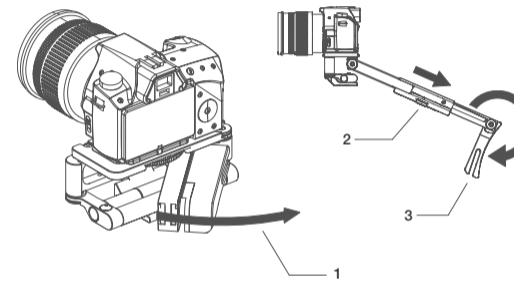
2. MOUNTING YOUR POCKETRIG² TO YOUR CAMERA AND ON A TRIPOD



1. Align your PocketRIG² with the tripod connection hole under your camera.
2. Turn the mounting wheel as tight as you can.
3. Make sure it doesn't twist when you apply force to it.

A detailed video explaining the mounting process can be found at: manuals.edelkrone.com

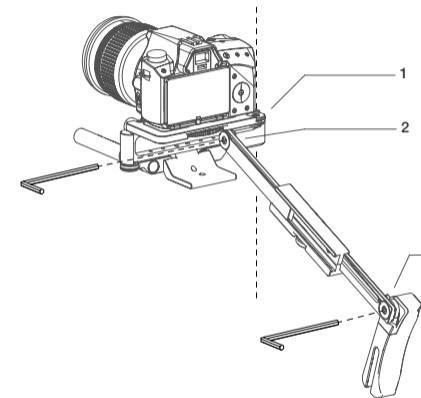
3. HOW TO USE THE POCKETRIG² ARM



1. Pull from the tip of the arm and turn outwards.
2. Loosen the thumb screw to set the length and tighten in place.
3. Hold the shoulder piece and turn it all the way down until it stops turning.

A detailed video explaining how to use your PocketRIG² and usage details can be found at: manuals.edelkrone.com

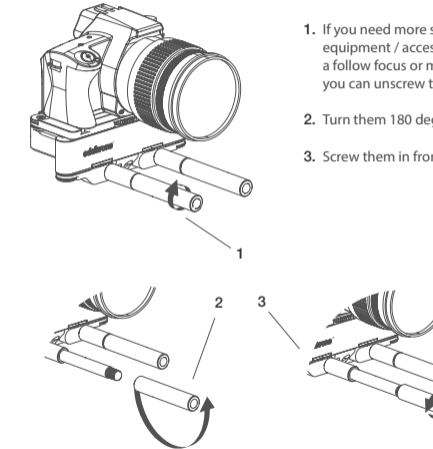
4. ADJUSTING THE TENSION OF THE POCKETRIG² ARM



PocketRIG² has three points for tension adjustment. You can adjust the tension of these points by using your 3mm allen wrench.

A detailed video explaining how to adjust the tension of the arm can be found at: manuals.edelkrone.com

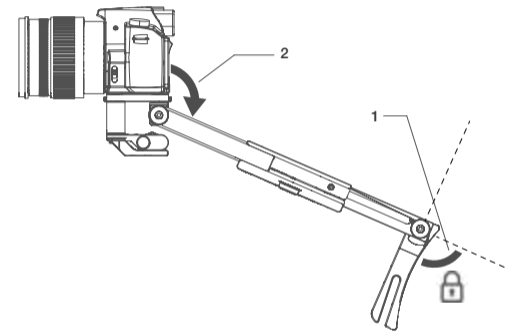
5. HOW TO SET THE LENGTH OF THE RODS



1. If you need more space for equipment / accessories like a follow focus or matte box, you can unscrew the 15mm rods
2. Turn them 180 degrees
3. Screw them in from the other side.

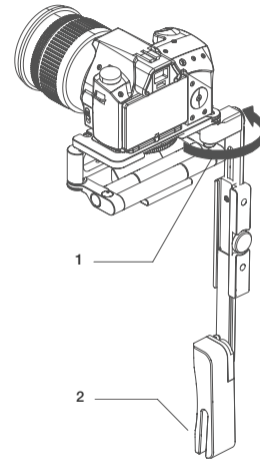
A detailed video explaining how to use the rods can be found at: manuals.edelkrone.com

6. CAUTIONS AND TIPS



1. While adjusting the height of the system, do not change the angle of the shoulder piece. Keep it locked.
2. The height of the system can be adjusted from the section shown in the figure.

 A detailed video explaining how to adjust the height of system can be found at: manuals.edelkrone.com



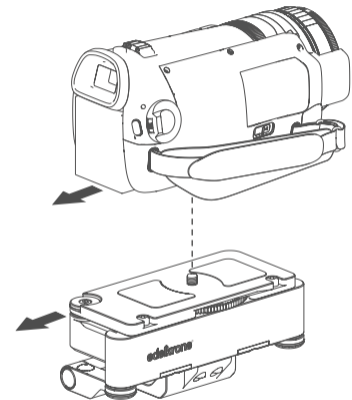
1. To extend the arm downwards, swing the arm all the way out and rotate it down.
2. Attach to your belt using the gap in the shoulder piece.

Using your belt allows you to shoot longer with heavier equipment without fatigue.

If you are not going to attach any equipment / accessories on the rods, keep them closed while using your PocketRIG.²

While using the support arm, place the curved part on your chest. Hold your camera with your right hand and hold the lens with your left hand for the best stabilization.

To avoid getting pinched while folding and unfolding the system, always hold your camera with one hand and move the parts from the tips with your other hand.



When using with a regular camcorder, place your camcorder as shown above.

 A detailed video containing all tips, cautions and most comfortable usage can be found at: manuals.edelkrone.com

DISCLAIMER

edelkrone cannot be held responsible for damage caused by improper use or modification of the product.

 For more information and tips about your PocketRIG², please watch the users manual videos at the link, manuals.edelkrone.com

POCKETRIG² USER'S MANUAL

Before operating your edelkrone, please watch the user's manual video from the link below

manuals.edelkrone.com