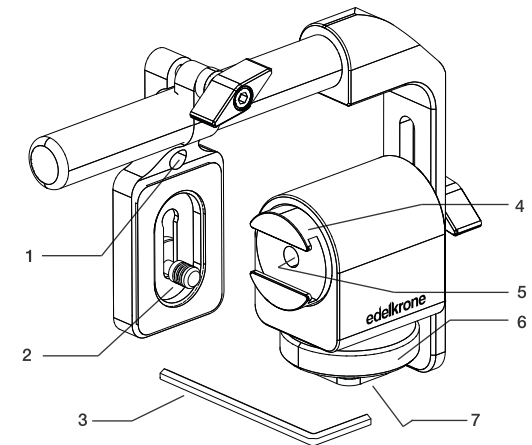


TABLE OF CONTENTS

1. WHAT'S IN THE BOX & THE BASICS
2. HOW TO ASSEMBLE
3. HOW TO MOUNT
4. ADJUSTING TENSION
5. REVERSING PLATE
6. FULL OF ACCESSORIES
7. POSITION EXAMPLES

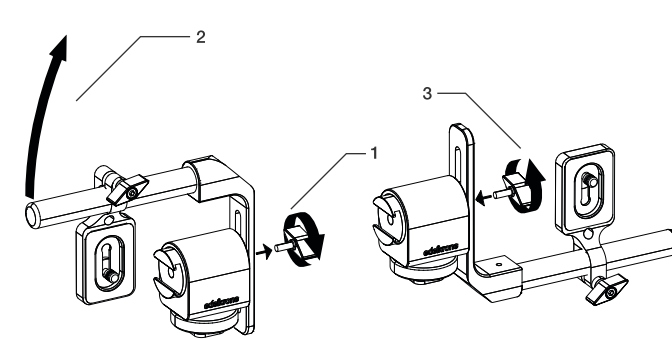
1. WHAT'S IN THE BOX & THE BASICS



1. 1/4"-20 Mounting port
2. 1/4"-20 Mounting screw
3. 3mm allen wrench
4. Accessory shoe mount
5. Angle adjustment port
6. Shoe mount
7. 3/8"-16 Mounting screw port

A detailed video explaining how to reassemble the Monitor/EVF Holder can be found at: manuals.edelkrone.com

2. HOW TO ASSEMBLE

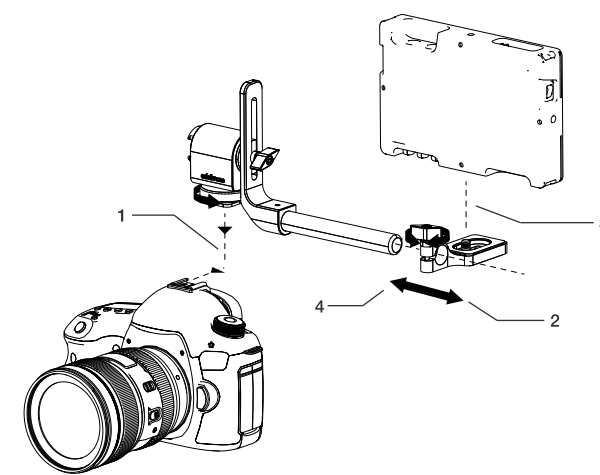


1. Loosen the thumb screw to remove the arm.
2. Rotate the arm.
3. Re-attach as shown above.
4. Make sure the arm is aligned correctly.

You need to reassemble Monitor/EVF Holder to use.

A detailed video explaining the assembly process can be found at: manuals.edelkrone.com

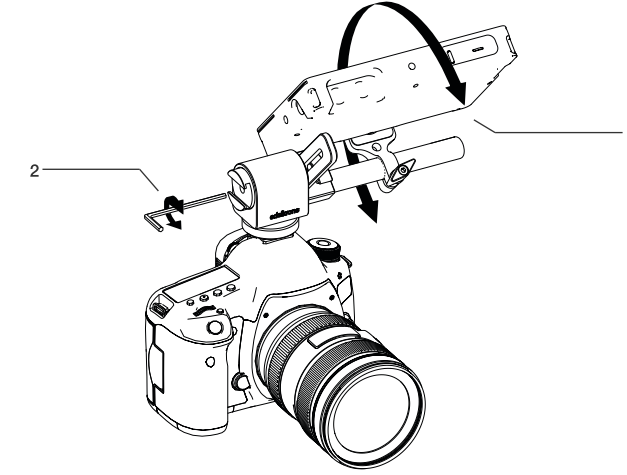
3. HOW TO MOUNT



1. Place your Monitor/EVF Holder on to your camera's hot shoe mount and tighten.
2. Remove your plate.
3. Attach your monitor with help of a coin.
4. Slide the plate back onto the rail and tighten.

A detailed video explaining the mounting process can be found at: manuals.edelkrone.com

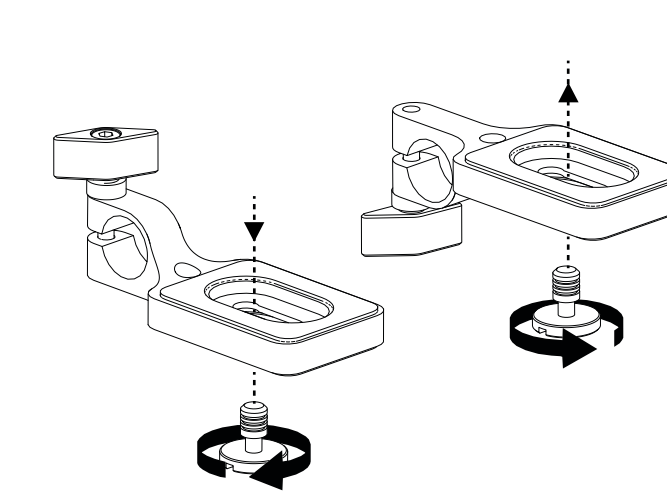
4. ADJUSTING THE TENSION OF MONITOR ANGLE



1. You can easily rotate your Monitor/EVF Holder by holding and rotating your EVF/Monitor Holder.
2. Use your 3mm allen wrench to tighten or loosen the screw to achieve your desired tension.

A detailed video explaining how to adjust the tension of monitor angle can be found at: manuals.edelkrone.com

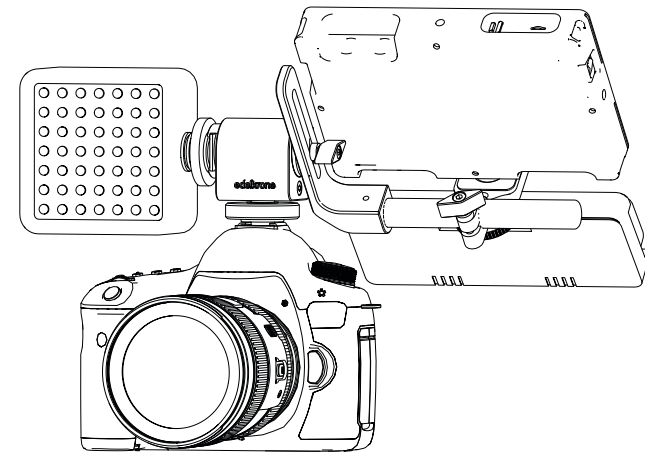
5. REVERSING PLATE



**You can change the direction of the screw for thicker monitors.

A detailed video explaining how to change the direction of the screw can be found at: manuals.edelkrone.com

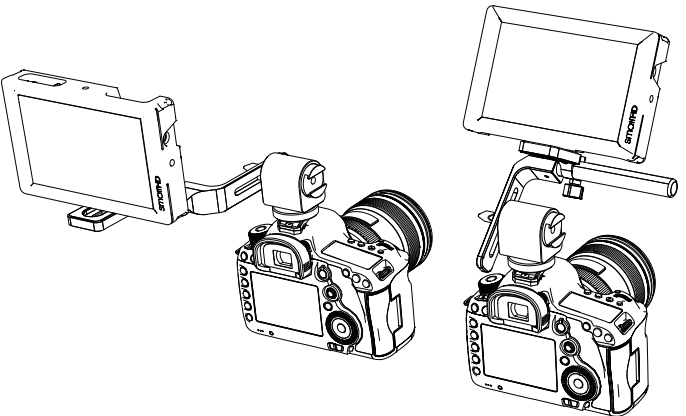
6. FULL OF ACCESSORIES



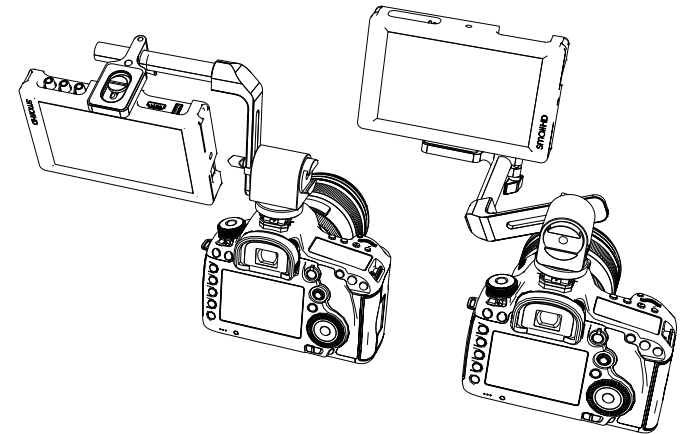
www.edelkrone.com

▶ A detailed video explaining many mounting position can be found at: manuals.edelkrone.com

7. POSITION EXAMPLES



▶ A detailed video explaining many mounting options can be found at: manuals.edelkrone.com



DISCLAIMER

edelkrone cannot be held responsible for damage caused by improper use or modification of the product.

▶ For more information and tips about your Monitor/EVF Holder, please watch the user's manual videos at: manuals.edelkrone.com

MONITOR / EVF HOLDER

USER'S MANUAL

Before operating your edelkrone,
please watch the user's manual video from the link below

manuals.edelkrone.com

edelkrone
filmmaking solutions