

# Mac / PC ADAPTER for edelkrone MOCO

## USER'S MANUAL

Before operating your edelkrone,  
please watch the user's manual video from the link below

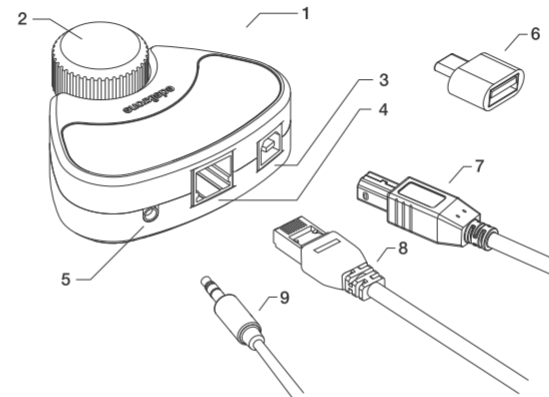
<http://edel.kr/lad>



## TABLE OF CONTENTS

1. WHAT'S IN THE BOX & THE BASICS
2. edelkrone SDK SETUP
3. CONNECTIONS
4. WIRED SIGNAL HUB for edelkrone MOCO

## 1. WHAT'S IN THE BOX & THE BASICS



1. Mac/PC Adapter
2. Adjustment Wheel
3. USB Type B port
4. RJ45 Link port
5. 3.5mm Link port
6. USB Type A to Type C Converter
7. USB Cable Type A to Type B (1.5m)
8. RJ45 Link Cable (2.5m)
9. 3.5mm to 3.5mm Link Cable (3m)


## 2. edelkrone SDK SETUP

1. Download the edelkrone Software Development Kit to your computer from: <http://edel.kr/sdk>

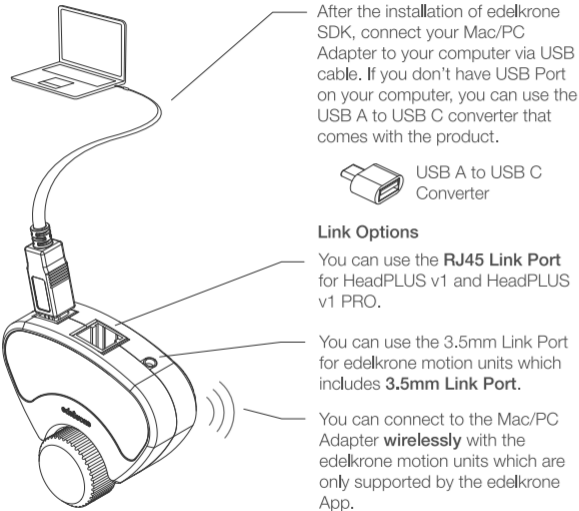
Available for: Windows, macOS and Linux

2. Open the file to install the software.
3. Follow the installation instructions.
4. Open the edelkrone SDK and follow the software's on-screen instructions to connect your Mac/PC Adapter to your computer.



 For more information and tips about edelkrone SDK, please visit the software page: <http://edel.kr/sdk>

### 3. CONNECTIONS



USB A to USB C Converter

#### Link Options

You can use the **RJ45 Link Port** for HeadPLUS v1 and HeadPLUS v1 PRO.

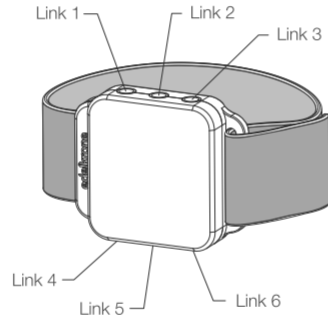
You can use the 3.5mm Link Port for edelkrone motion units which includes **3.5mm Link Port**.

You can connect to the Mac/PC Adapter **wirelessly** with the edelkrone motion units which are only supported by the edelkrone App.

You can find edelkrone motion units supported by the ports mentioned above from: <http://edel.kr/sdk>

### 4. WIRED SIGNAL HUB for edelkrone MOCO

With the Wired Signal Hub for edelkrone Moco, you can link up to 5 edelkrone motion control devices with cable connection.



All ports can be used as inputs and outputs.

(Wired Signal Hub for edelkrone Moco sold separately)

### DISPOSAL OF THE PRODUCT & WARNINGS



Should the product become damaged beyond repair, or if you wish to dispose of it, it must be disposed separately from the municipal waste stream via designated collection facilities appointed by the government or the local authorities. Observe the regulations of your area and country that relate to the disposal of electronic products.

- \* Keep your Mac/PC Adapter away from all sorts of liquids.
- \* Do not attempt to disassemble or modify any internal parts of your Mac/PC Adapter. If the device appears to be malfunctioning, discontinue use immediately and contact support for qualified service.
- \* Never force a different type of connector into a port.
- \* Never use or store your Mac/PC Adapter in areas subject to extreme temperatures, or high levels of vibration.
- \* Environmental factors may affect your Link Adapter's performance. Keep your product away from environmental hazards such as dust or heavy resonance. Do not use chemical materials to clean your product.
- \* Avoid dropping or causing physical damage to your Mac/PC Adapter.
- \* Do not place heavy objects on top of your Mac/PC Adapter.
- \*\*edelkrone cannot be held responsible for damage caused by improper use or modification of the product.
- \* Rated Voltage: 5V Rated Current: 1A Operating Temperature: -5°C to +45°C



For more information and tips about your Mac/PC Adapter, please watch the user's manual videos at: <http://edel.kr/lad>