

# LASER MODULE

## USER'S MANUAL

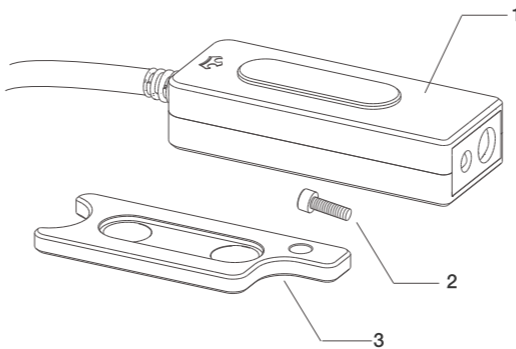
Before operating your edelkrone, please watch the user's manual video.

<http://edel.kr/lm>




### 1. WHAT'S IN THE BOX & THE BASICS

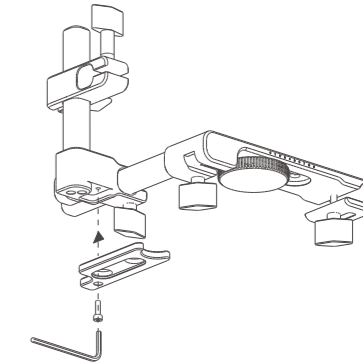
1. Laser module
2. Magnet holder plate
3. M3 screw



### 2. MOUNTING LASER MODULE PLATE ON L-BRACKET

1. Align Magnetic Laser Holder Plate with L Bracket like shown above.
2. Attach it and tighten using M3 screw, 2,5mm allen wrench.

 A detailed video explaining how to attach plate and mounting details can be found at: <http://edel.kr/lm>

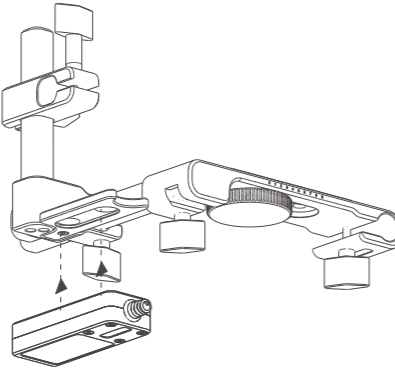


### 3. ATTACH LASER MODULE AND START USING

Attach the Laser Module to your L Bracket with the help of magnetic plate.  
Attach the Laser Module's socket with the Laser Module connection port on the HeadPLUS to start using.



*A detailed video explaining how to attach Laser Module & mountings details can be found at:  
<http://edel.kr/lm>*



### DISPOSAL OF THE PRODUCT & WARNINGS



Should the product become damaged beyond repair, or if you wish to dispose of it, it must be disposed separately from the municipal waste stream via designated collection facilities appointed by the government or the local authorities. Observe the regulations of your area and country that relate to the disposal of electronic products.



<1 mW @ 635 nm  
Laser Radiation.  
Do not stare into beam.  
Class 2 Laser product.

- \* Keep your electronic Motion Control Unit away from all sorts of liquids.
- \* In order to preserve your Motion Control Unit and battery performance at their best, use the exact same type of batteries with an equivalent level of charge during dual-battery operation.
- \* Do not attempt to disassemble or modify any internal parts of your Motion Control Unit. If the device appears to be malfunctioning, discontinue use immediately and contact support for qualified service.
- \* Never force a different type of connector into a port.

### DISPOSAL OF THE PRODUCT & WARNINGS

- \* Never use or store your Motion Control Unit in areas subject to extreme temperatures, or high levels of vibration
- \* If your motion control unit becomes unresponsive, disconnect and re-connect the power source. Make sure your DC adapter is plugged in or your batteries are properly charged. If the problem persists, contact our support team.
- \* Environmental factors may affect your Motion Control Unit's performance. Keep your product away from environmental hazards such as dust or heavy resonance. Do not use chemical materials to clean your product.
- \* Only use included battery plate, DC adapter or equivalent power sources. Use of an inappropriate power source may permanently damage your Motion Control Unit.

- \* If there is an impairment on the power or connector cable, stop using the Motion Control Unit immediately.
- \* Avoid dropping or causing physical damage to your Motion Control Unit.
- \* Do not place heavy objects on top of your Motion Control Unit.
- \*\*edelkrone cannot be held responsible for damage caused by improper use or modification of the product.