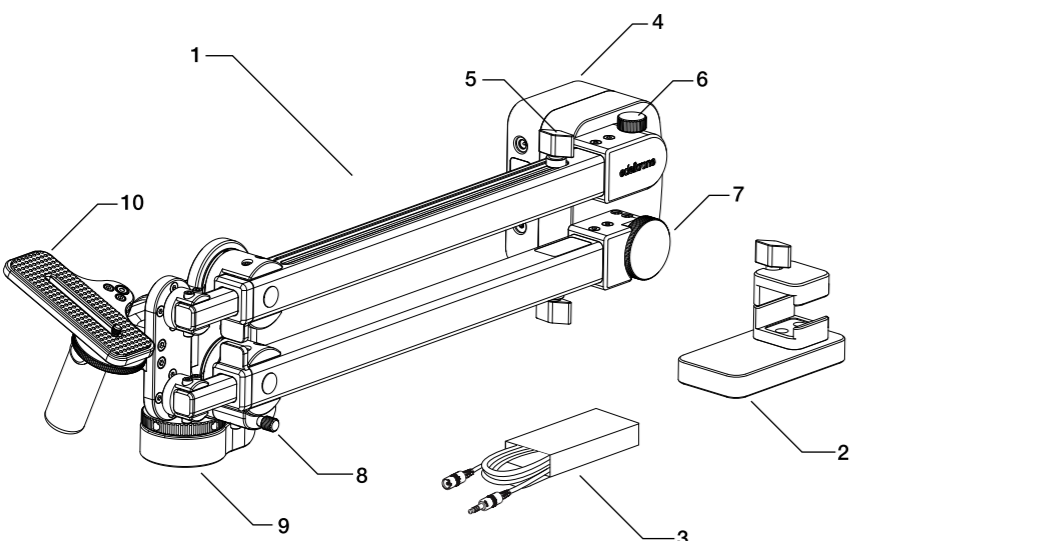


TABLE OF CONTENTS

1. WHAT'S IN THE BOX & THE BASICS
2. MOUNTING ONTO TRIPOD
3. MOUNTING THE BATTERY BRACKET
4. ATTACHING THE COUNTERWEIGHT
5. PULLING OUT THE EXTENSIONS
6. ADJUSTING OPERATION ANGLE
7. ATTACHING THE CAMERA
8. BALANCE ADJUSTMENT & SAFETY LOCK
9. EXTENSION LENGTH INDICATORS
10. COUNTERWEIGHTS
11. TENSION ADJUSTMENT
12. TURNING ON JIBONE
13. IN CASE THE KNOBS STUCK
14. WARNINGS
15. START USING

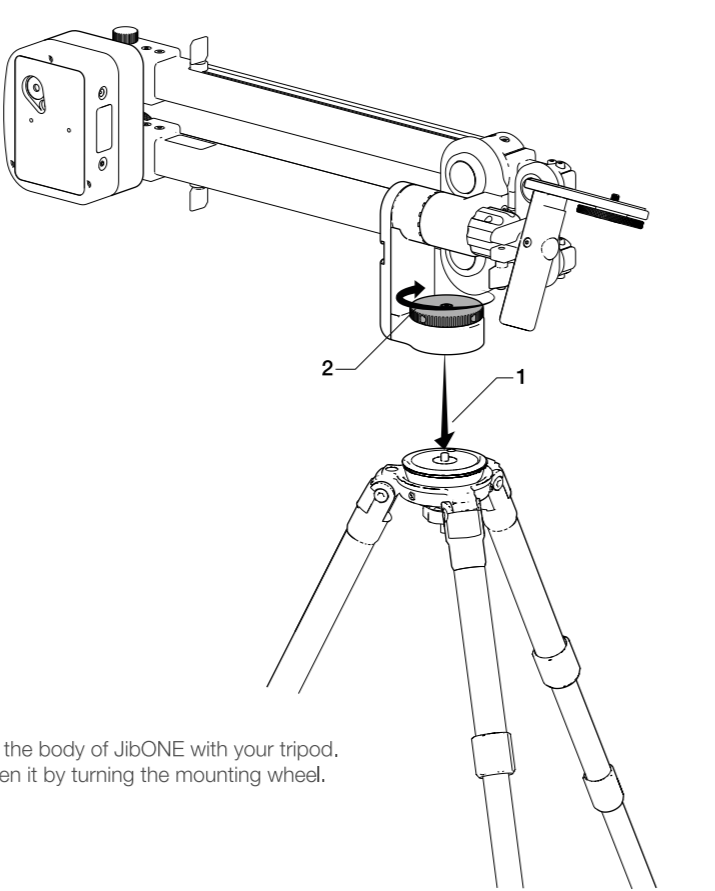
1. WHAT'S IN THE BOX & THE BASICS



1. JibONE
2. Counterweight (1 kg/2.2 lbs)
3. Shutter Trigger Extension Cable
4. Motor Unit (with DC in, Shutter Trigger Port, Battery Bracket Port)
5. JibONE length extension screws
6. Damping Knob
7. Tension Adjustment
8. Safety Lock
9. Body (3/8" tripod mounting port, 1/4" accessory port, Hot Shoe & Angle Adjustment Knob)
10. Camera Plate (with 3/8" mounting screw and spirit level)

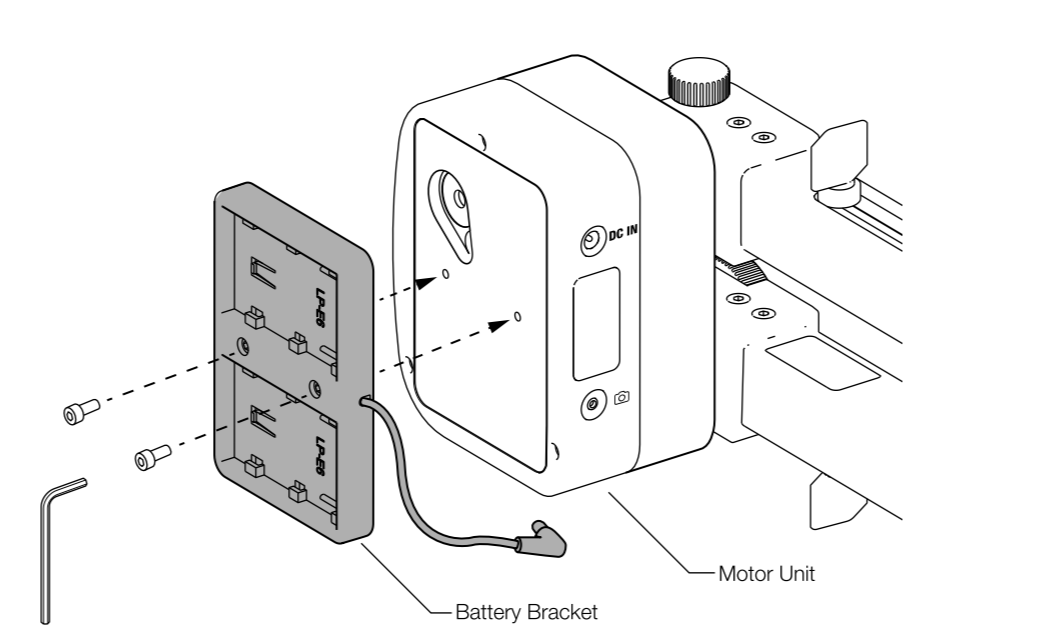
*Battery Bracket sold separately.

2. MOUNTING ONTO TRIPOD



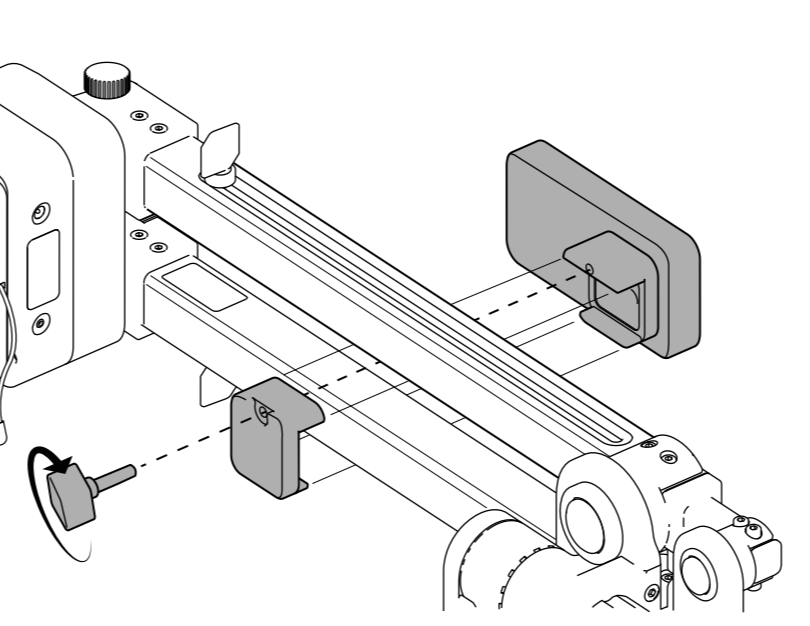
1. Align the body of JibONE with your tripod.
2. Tighten it by turning the mounting wheel.

3. MOUNTING THE BATTERY BRACKET



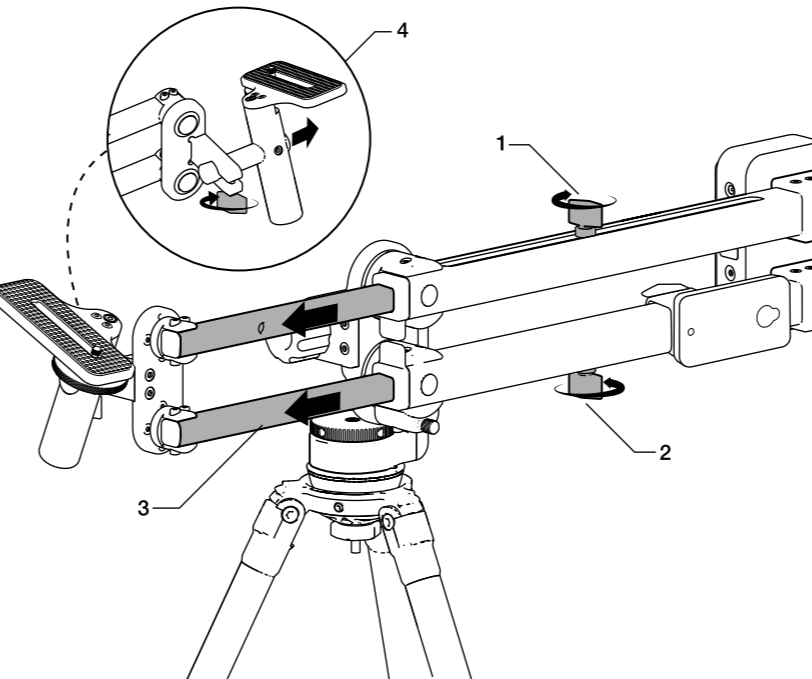
Attach the Battery Bracket to Motor Unit with the screws included in the Battery Bracket's box.

4. ATTACHING THE COUNTERWEIGHT



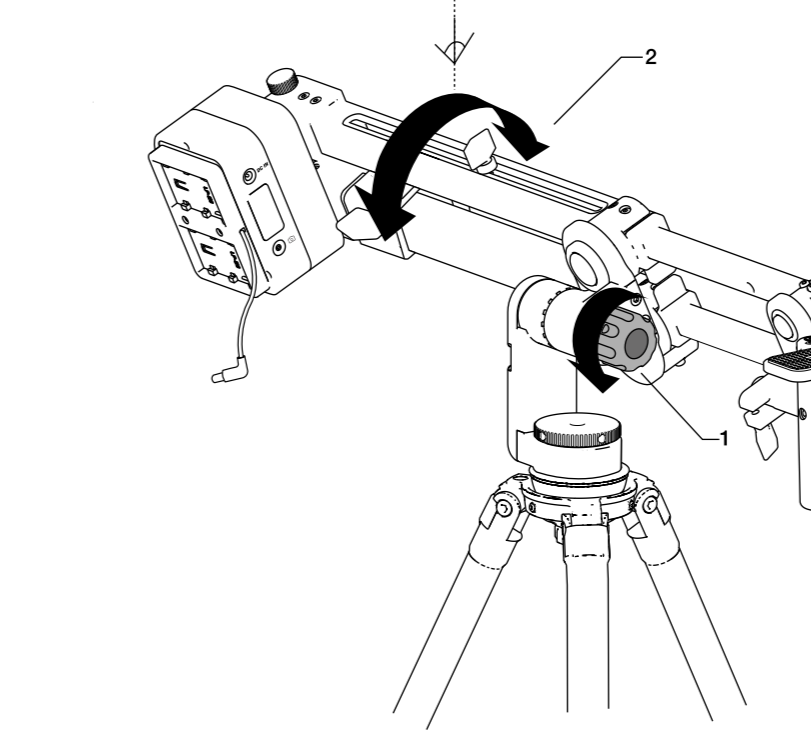
Align the Counterweight parts as shown above, then attach them on JibONE by fastening the screw clockwise.

5. PULLING OUT THE EXTENSIONS



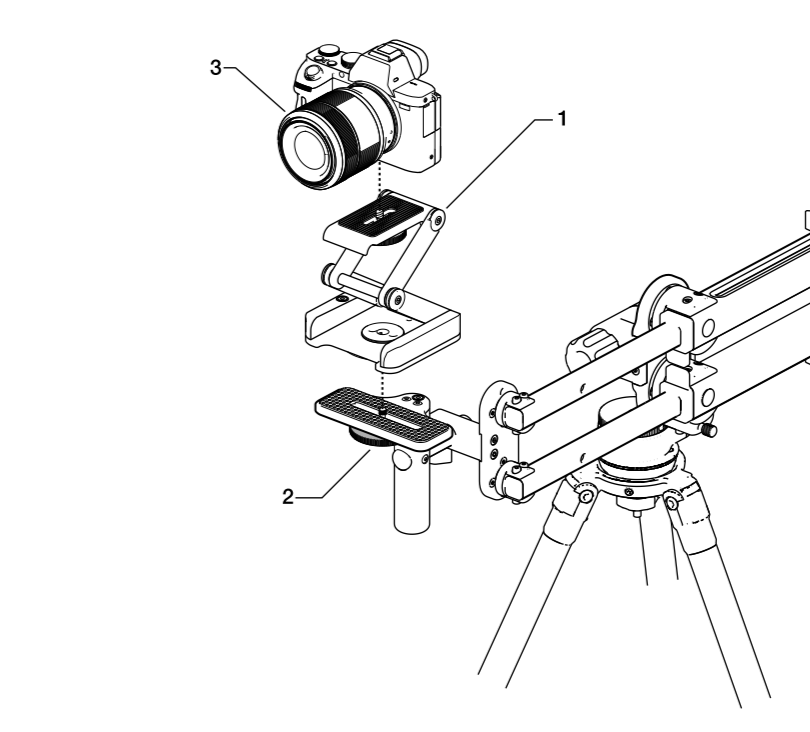
1. Loosen the screw by turning clockwise.
2. Loosen the screw by turning counterclockwise.
3. Pull out the extensions.
4. Extend the camera plate by loosening the screw.
5. Tighten all the screws.

6. ADJUSTING OPERATION ANGLE



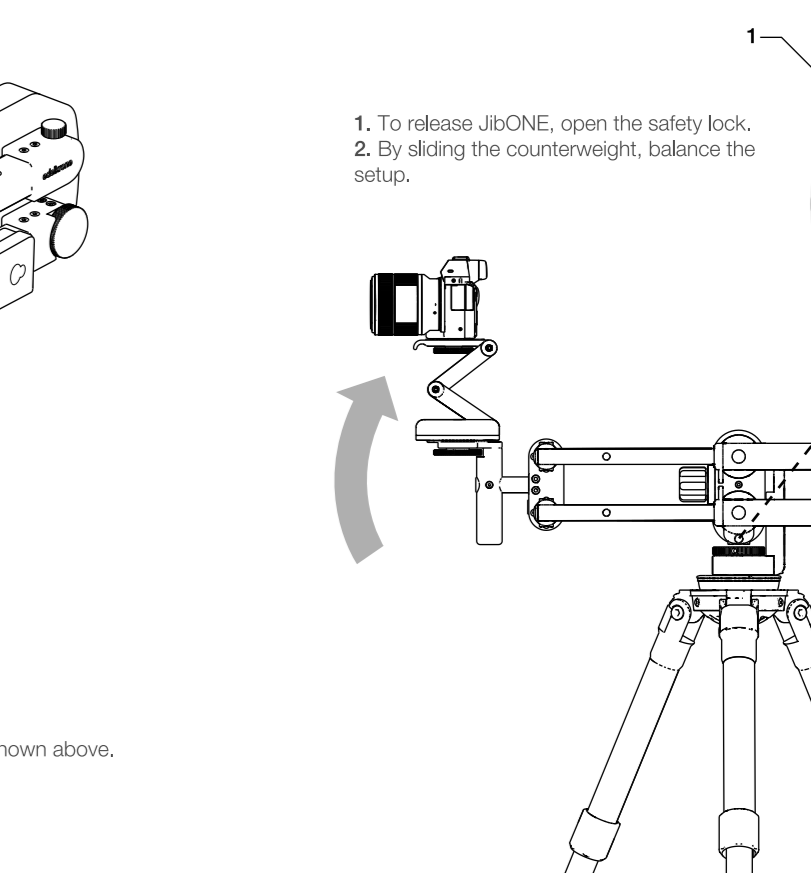
1. Loosen the angle adjustment knob by turning counterclockwise.
2. Adjust your operation angle, JibONE has 5 different operation angle.
3. Tighten the angle adjustment knob back.

7. ATTACHING THE CAMERA



1. Align your FlexTILT Head or any tripod head with the camera plate as shown above.
2. Tighten the mounting wheel.
3. Attach your camera to your FlexTILT Head or any tripod head.

8. BALANCE ADJUSTMENT & SAFETY LOCK



1. To release JibONE, open the safety lock.
2. By sliding the counterweight, balance the setup.

