

JIBONE v2

USER'S MANUAL

Before operating your edelkrone, please watch the user's manual video.

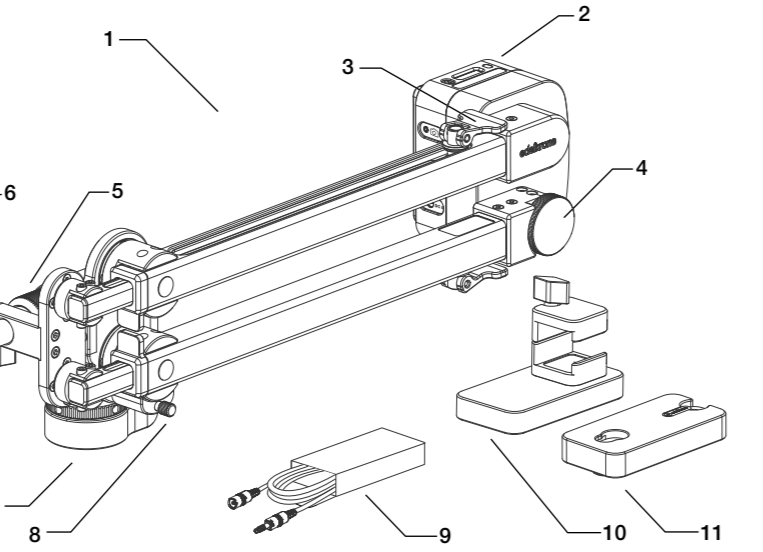
<http://edel.kr/jbnv2>



TABLE OF CONTENTS

1. WHAT'S IN THE BOX & THE BASICS
2. MOUNTING ON A TRIPOD
3. MOUNTING THE BATTERY BRACKET
4. ATTACHING THE COUNTERWEIGHT
5. PULLING OUT THE EXTENSIONS
6. ADJUSTING THE OPERATION ANGLE
7. ATTACHING THE CAMERA
8. BALANCE ADJUSTMENT & SAFETY LOCK
9. EXTENSION LENGTH INDICATORS
10. COUNTERWEIGHTS
11. TENSION ADJUSTMENT
12. TURNING ON JIBONE v2
13. LOOSENING THE KNOBS
14. WARNINGS
15. START USING

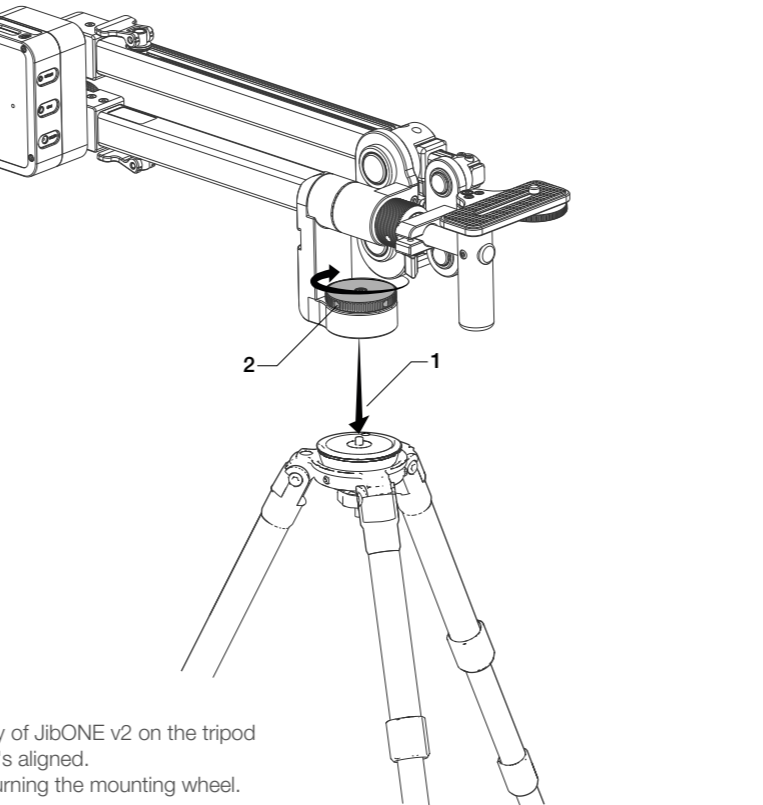
1. WHAT'S IN THE BOX & THE BASICS



- | | |
|---|---|
| 1. JibONE v2 | 7. Body (3/8" tripod mounting port, 1/4" accessory port, Cold Shoe) |
| 2. Motor unit (with information screen, On/Off button, DC in, shutter trigger port, battery bracket port) | 8. Safety lock |
| 3. JibONE v2 length extension screws | 9. Shutter trigger extension cable |
| 4. Tension adjustment wheel | 10. Main counterweight (1 kg/2.2 lbs) |
| 5. Angle adjustment knob | 11. Counterweight (1 kg/2.2 lbs) (3 pcs.) |
| 6. Camera plate (with 3/8" mounting screw and spirit level) | |

*Battery Bracket sold separately.

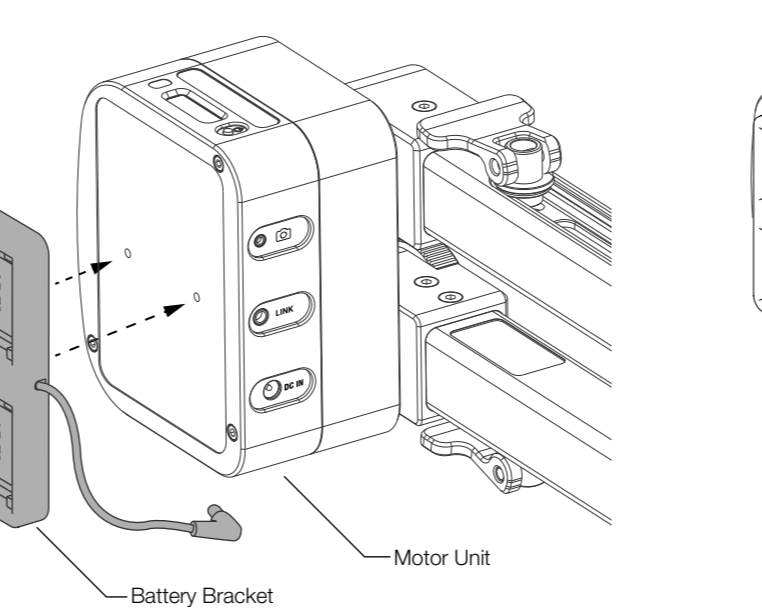
2. MOUNTING ON A TRIPOD



1. Place the body of JibONE v2 on the tripod making sure it's aligned.
2. Tighten it by turning the mounting wheel.

A detailed video explaining the mounting process can be found at: <http://edel.kr/jbnv2>

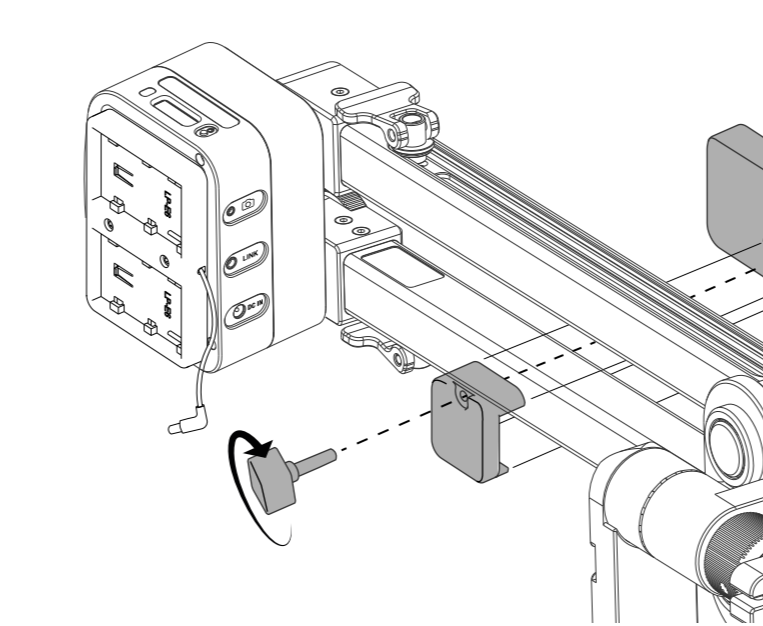
3. MOUNTING THE BATTERY BRACKET



Attach the battery bracket to the motor unit using the screws included with the battery bracket.

A detailed video explaining how to mount the battery bracket can be found at: <http://edel.kr/jbnv2>

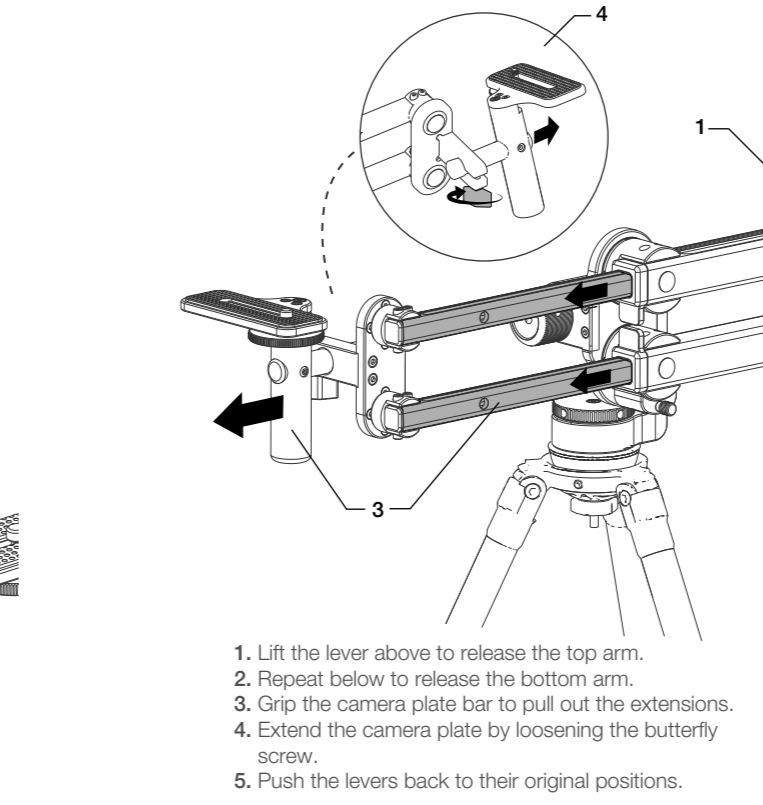
4. ATTACHING THE COUNTERWEIGHT



1. Align the main counterweight parts as shown.
2. Attach to JibONE v2 by turning the butterfly screw clockwise.

A detailed video explaining how to attach the counterweight can be found at: <http://edel.kr/jbnv2>

5. PULLING OUT THE EXTENSIONS



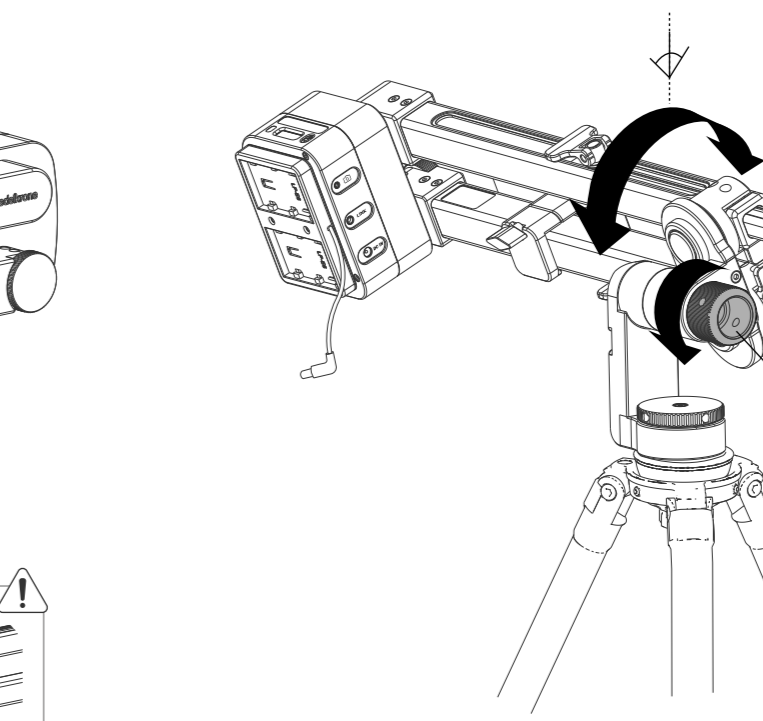
1. Lift the lever above to release the top arm.
2. Repeat below to release the bottom arm.
3. Grip the camera plate bar to pull out the extensions.
4. Extend the camera plate by loosening the butterfly screw.
5. Push the levers back to their original positions.

CAUTION

Keep hands clear of moving profiles.

A detailed video explaining how to extend JibONE v2 can be found at: <http://edel.kr/jbnv2>

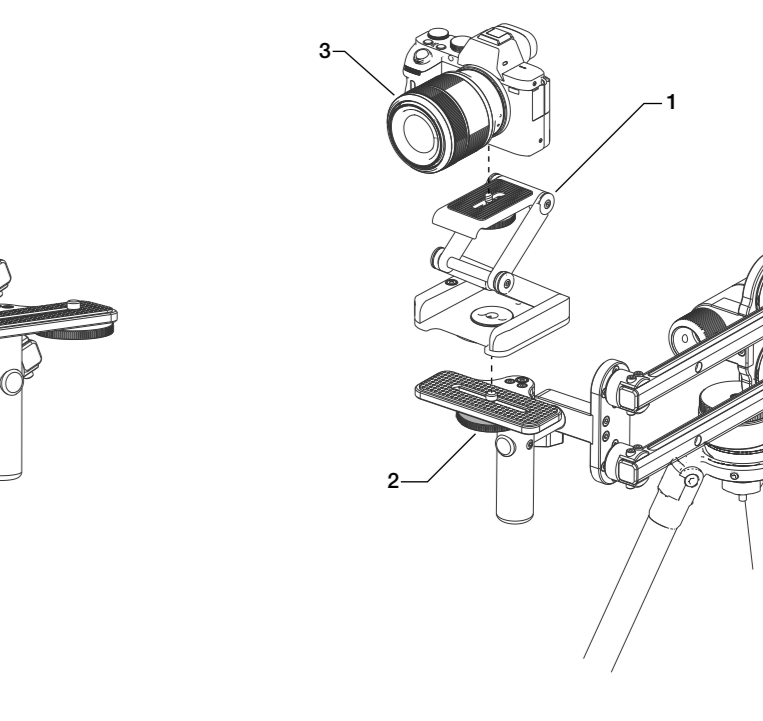
6. ADJUSTING THE OPERATION ANGLE



1. Loosen the angle adjustment knob by turning counterclockwise.
2. Adjust your operation angle (JibONE v2 has five different operation angles).
3. Tighten the angle adjustment knob back.

A detailed video explaining how to adjust the operation angle can be found at: <http://edel.kr/jbnv2>

7. ATTACHING THE CAMERA



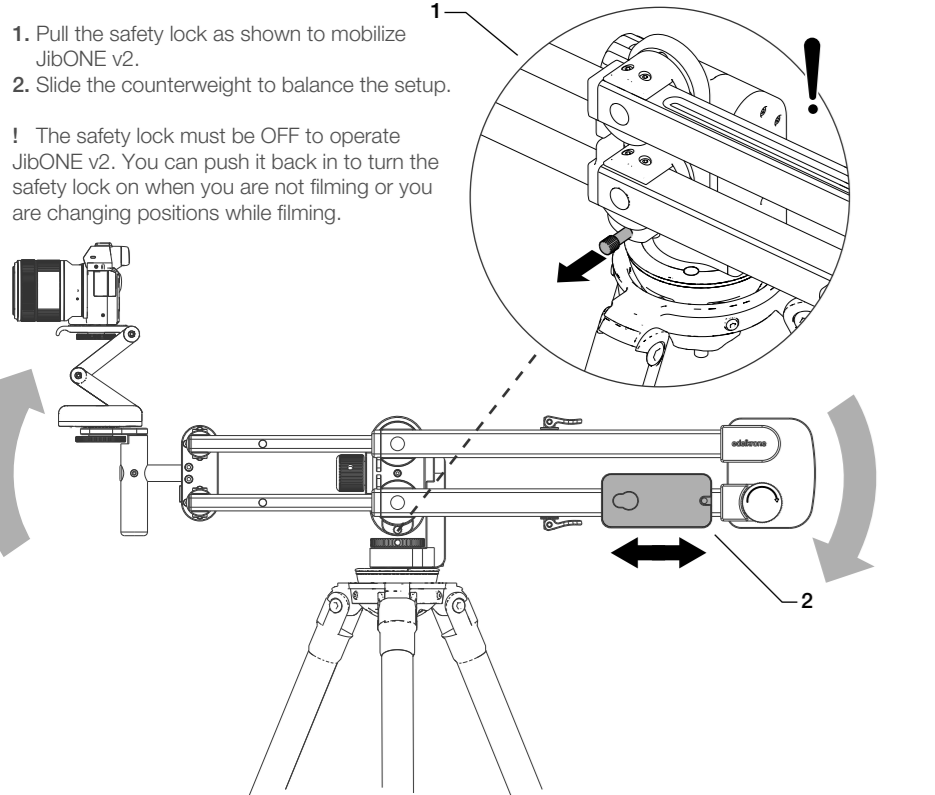
1. Align your FlexTILT Head v3 or any tripod head with the camera plate as shown.
2. Tighten the mounting wheel.
3. Attach your camera to your FlexTILT Head v3 or any tripod head.

A detailed video explaining how to attach the camera can be found at: <http://edel.kr/jbnv2>

8. BALANCE ADJUSTMENT & SAFETY LOCK

1. Pull the safety lock as shown to mobilize JibONE v2.
2. Slide the counterweight to balance the setup.

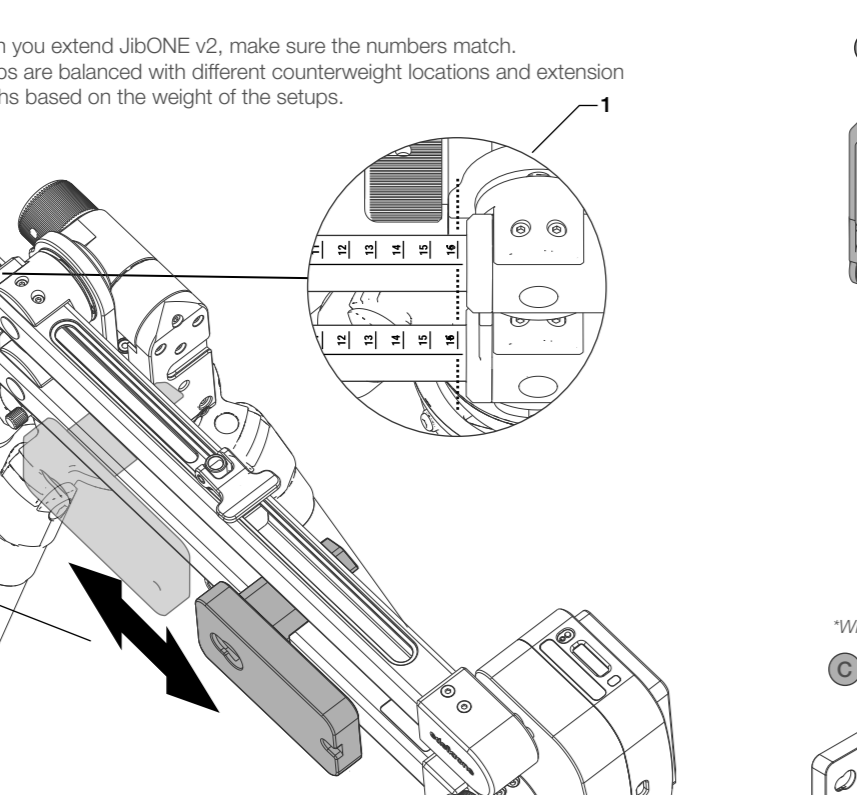
! The safety lock must be OFF to operate JibONE v2. You can push it back in to turn the safety lock on when you are not filming or you are changing positions while filming.



A detailed video explaining the balance adjustment can be found at: <http://edel.kr/jbnv2>

9. EXTENSION LENGTH INDICATORS

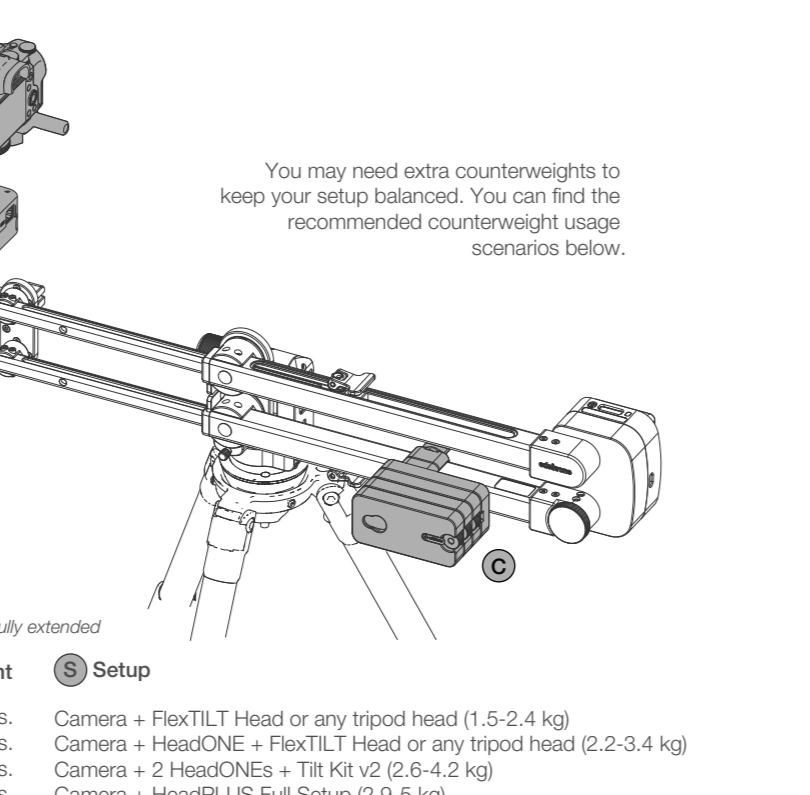
1. When you extend JibONE v2, make sure the numbers match.
2. Setups are balanced with different counterweight locations and extension lengths based on the weight of the setups.



A detailed video explaining the length indicators can be found at: <http://edel.kr/jbnv2>

10. COUNTERWEIGHTS

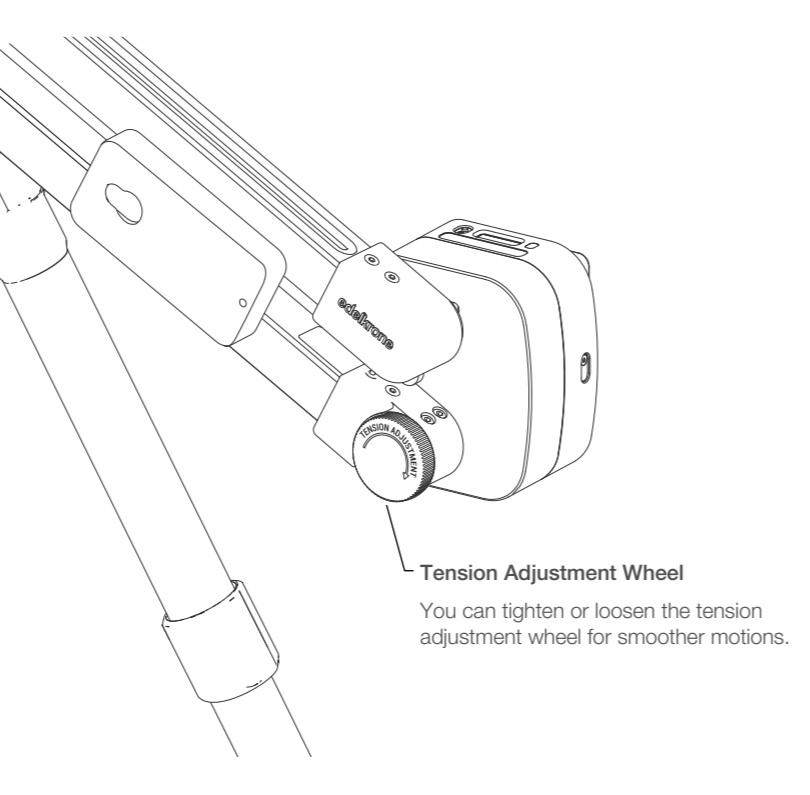
1. When you extend JibONE v2, make sure the numbers match.
2. Setups are balanced with different counterweight locations and extension lengths based on the weight of the setups.



A detailed video explaining the counterweights can be found at: <http://edel.kr/jbnv2>

11. TENSION ADJUSTMENT

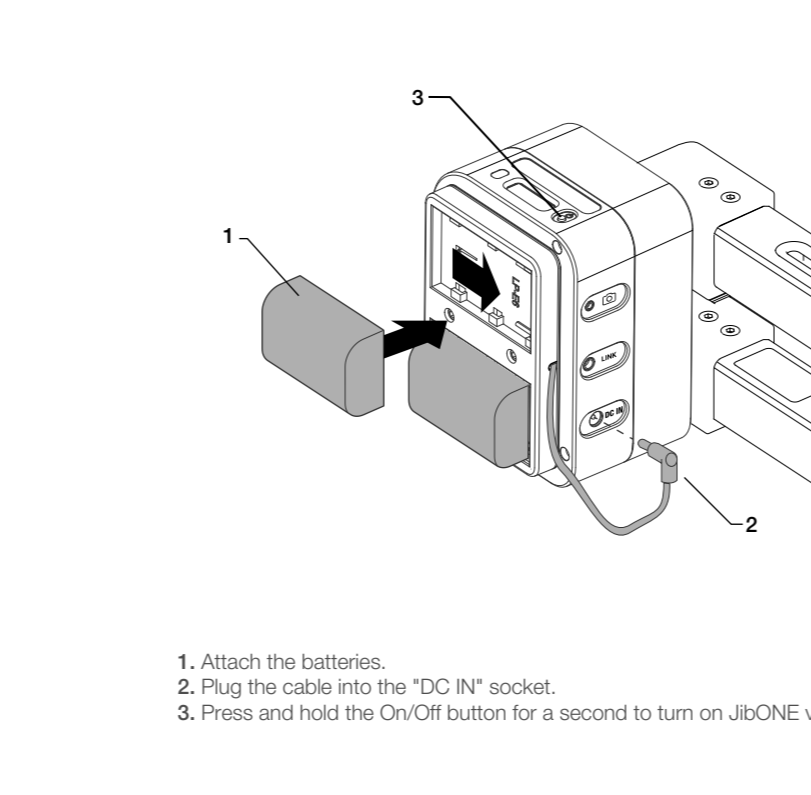
1. When you extend JibONE v2, make sure the numbers match.
2. Setups are balanced with different counterweight locations and extension lengths based on the weight of the setups.



A detailed video explaining the tension adjustment can be found at: <http://edel.kr/jbnv2>

12. TURNING ON JIBONE v2

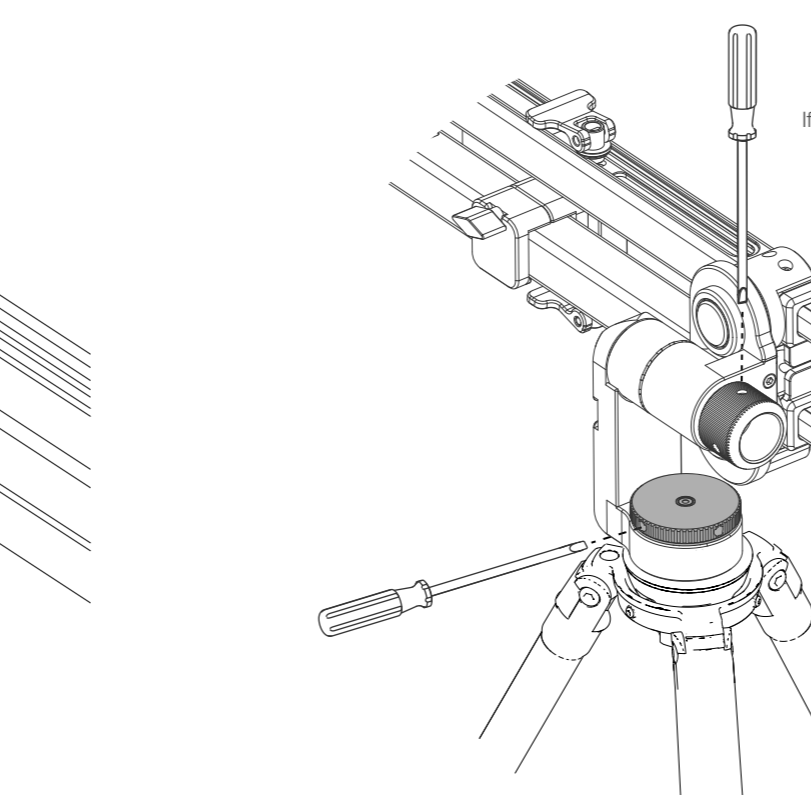
1. Attach the batteries.
2. Plug the cable into the "DC IN" socket.
3. Press and hold the On/Off button for a second to turn on JibONE v2.



A detailed video explaining how to turn on JibONE v2 can be found at: <http://edel.kr/jbnv2>

13. LOOSENING THE KNOBS

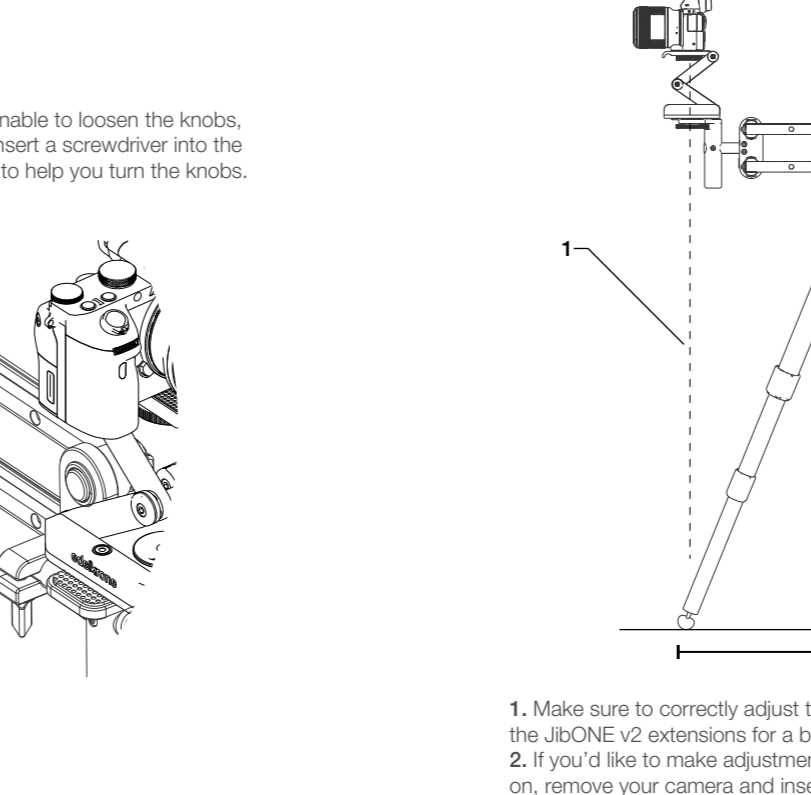
1. When you extend JibONE v2, make sure the numbers match.
2. Setups are balanced with different counterweight locations and extension lengths based on the weight of the setups.



A detailed video explaining how to loosen the knobs can be found at: <http://edel.kr/jbnv2>

14. WARNINGS

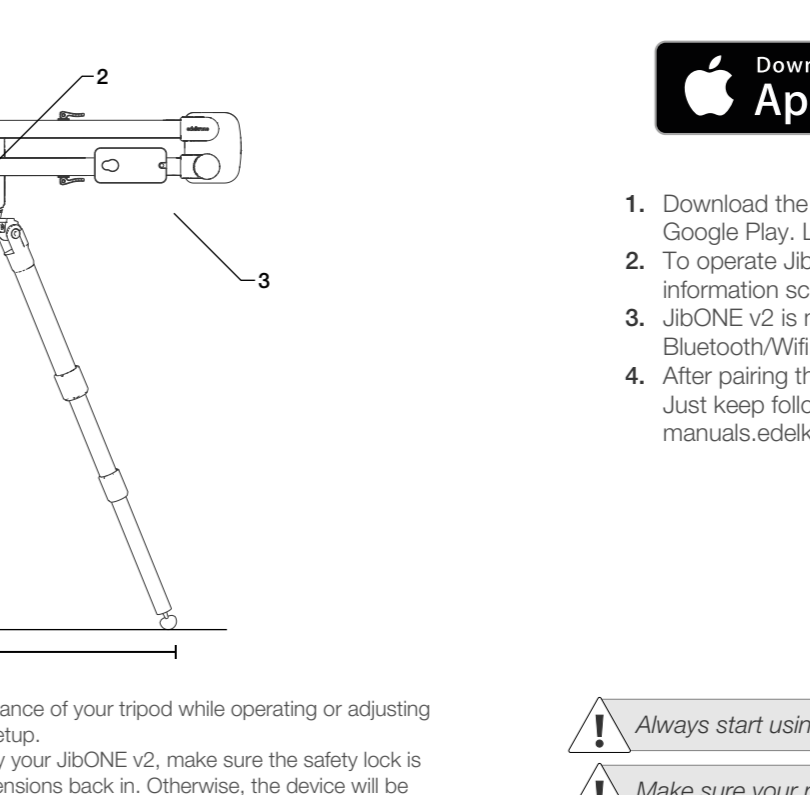
1. Make sure to correctly adjust the leg distance of your tripod while operating or adjusting the JibONE v2 extensions for a balanced setup.
2. If you'd like to make adjustments or carry your JibONE v2, make sure the safety lock is on, remove your camera and insert the extensions back in. Otherwise, the device will be unstable and may cause damage.
3. Make sure you attach the counterweights tightly and correctly.



A detailed video explaining the edelkrone App can be found at: <http://edel.kr/jbnv2>

15. START USING

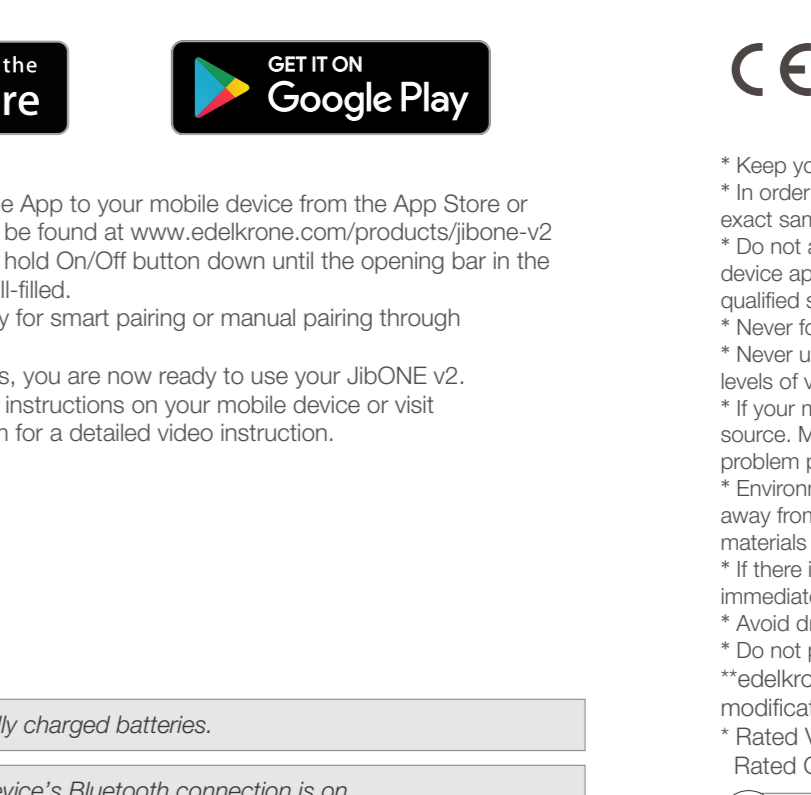
1. Download the edelkrone App to your mobile device from the App Store or Google Play. Links can be found at www.edelkrone.com/products/jibone-v2
2. To operate JibONE v2, hold On/Off button down until the opening bar in the information screen is full-filled.
3. JibONE v2 is now ready for smart pairing or manual pairing through Bluetooth/Wifi.
4. After pairing the devices, you are now ready to use your JibONE v2. Just keep following the instructions on your mobile device or visit manuals.edelkrone.com for a detailed video instruction.



A detailed video explaining the edelkrone App can be found at: <http://edel.kr/jbnv2>

DISPOSAL OF THE PRODUCT & WARNINGS

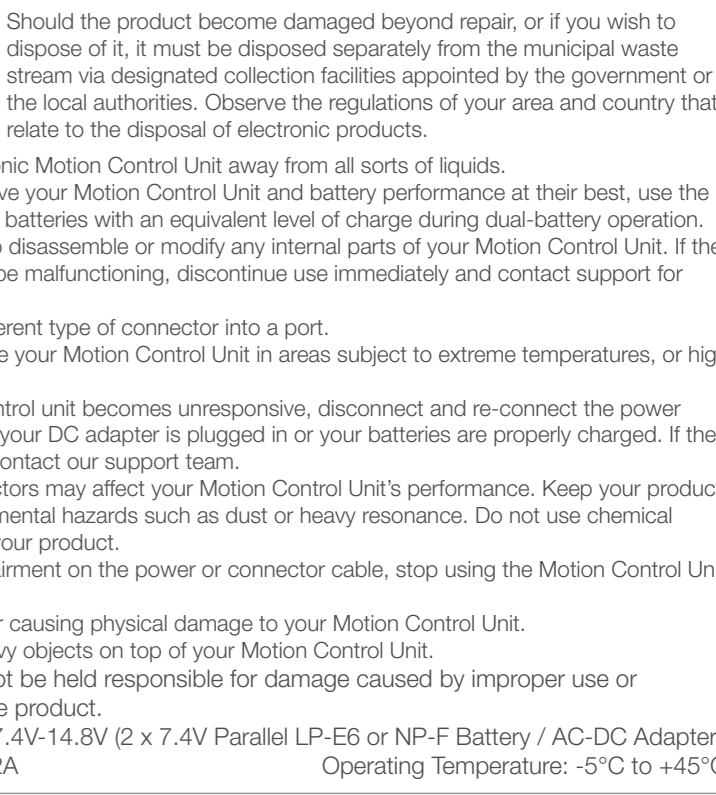
1. Make sure to correctly adjust the leg distance of your tripod while operating or adjusting the JibONE v2 extensions for a balanced setup.
2. If you'd like to make adjustments or carry your JibONE v2, make sure the safety lock is on, remove your camera and insert the extensions back in. Otherwise, the device will be unstable and may cause damage.
3. Make sure you attach the counterweights tightly and correctly.



A detailed video explaining the edelkrone App can be found at: <http://edel.kr/jbnv2>

DISPOSAL OF THE PRODUCT & WARNINGS

1. Make sure to correctly adjust the leg distance of your tripod while operating or adjusting the JibONE v2 extensions for a balanced setup.
2. If you'd like to make adjustments or carry your JibONE v2, make sure the safety lock is on, remove your camera and insert the extensions back in. Otherwise, the device will be unstable and may cause damage.
3. Make sure you attach the counterweights tightly and correctly.



A detailed video explaining the edelkrone App can be found at: <http://edel.kr/jbnv2>