

# HEADPLUS PRO V2

## USER'S MANUAL

Before operating your edelkrone, please watch the user's manual video.

<http://edel.kr/hpv2>

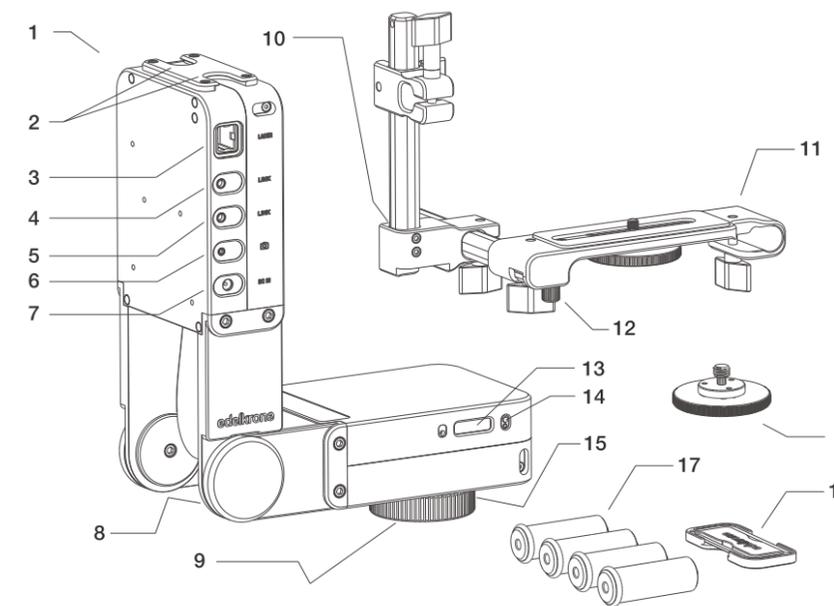


**edelkrone**  
filmmaking solutions

### TABLE OF CONTENTS

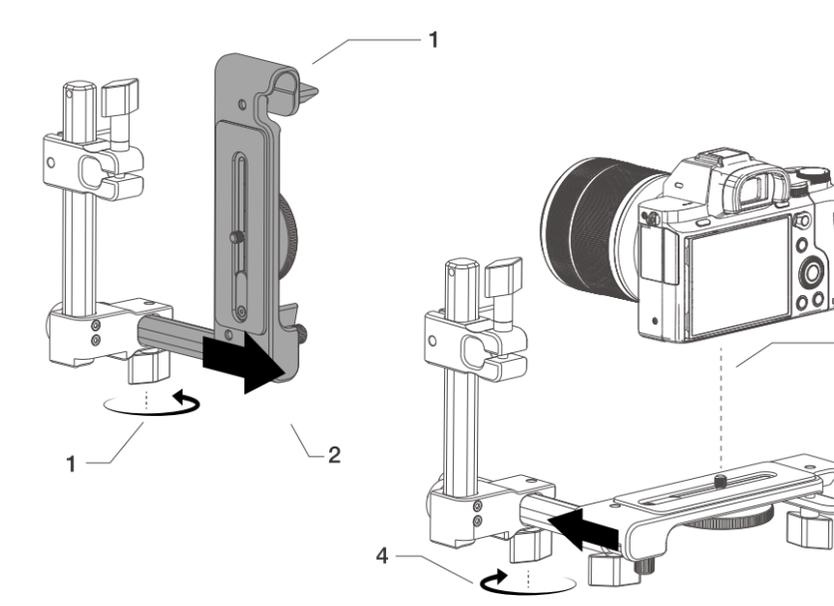
1. WHAT'S IN THE BOX & THE BASICS
2. ATTACHING L-BRACKET TO CAMERA
3. CHANGING THE MOUNTING SCREW
4. FINDING THE CENTER OF GRAVITY
5. MOUNTING THE HEADPLUS PRO
6. MOUNTING A BATTERY BRACKET ON HEADPLUS PRO
7. MANUAL TENSION ADJUSTMENT FOR PAN/TILT & LOCKS
8. START USING

### 1. WHAT'S IN THE BOX & THE BASICS



- |                                 |   |
|---------------------------------|---|
| 1. HeadPLUS PRO V2              | 10. Balance piece                         |
| 2. Cold shoe ports              | 11. L-Bracket with 1/4"-20 mounting screw |
| 3. Laser Module connection port | 12. Safety Lock                           |
| 4. Link connection port         | 13. Information Screen                    |
| 5. Link connection port         | 14. On/Off Button                         |
| 6. Shutter trigger port         | 15. Safety Lock                           |
| 7. DC IN socket                 | 16. 3/8"-16 mounting screw                |
| 8. Safety Lock                  | 17. Width extenders for SliderPLUS        |
| 9. 3/8"-16 mounting port        | 18. 2.5 mm & 3 mm allen keys              |

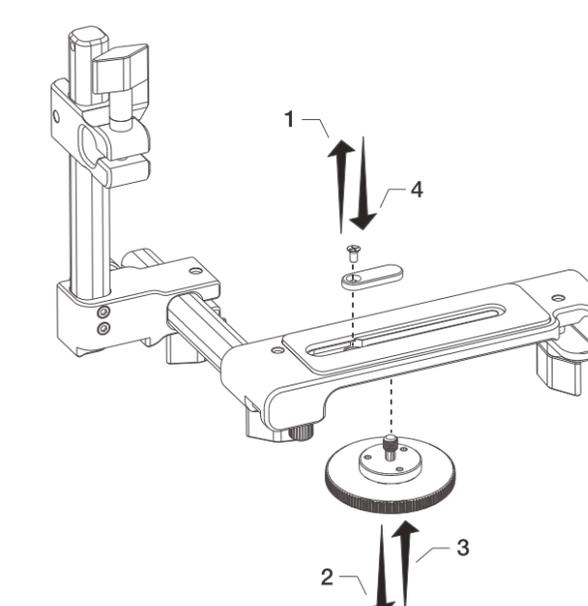
### 2. ATTACHING L-BRACKET TO CAMERA



1. Loosen the knob.
2. Remove the L-Bracket and flip horizontally.
3. Place the L-bracket back.
4. Tighten the knob.
5. Attach your camera to L-Bracket by turning the mounting wheel on it.

A detailed video explaining the mounting process details can be found at: <http://edel.kr/hpv2>

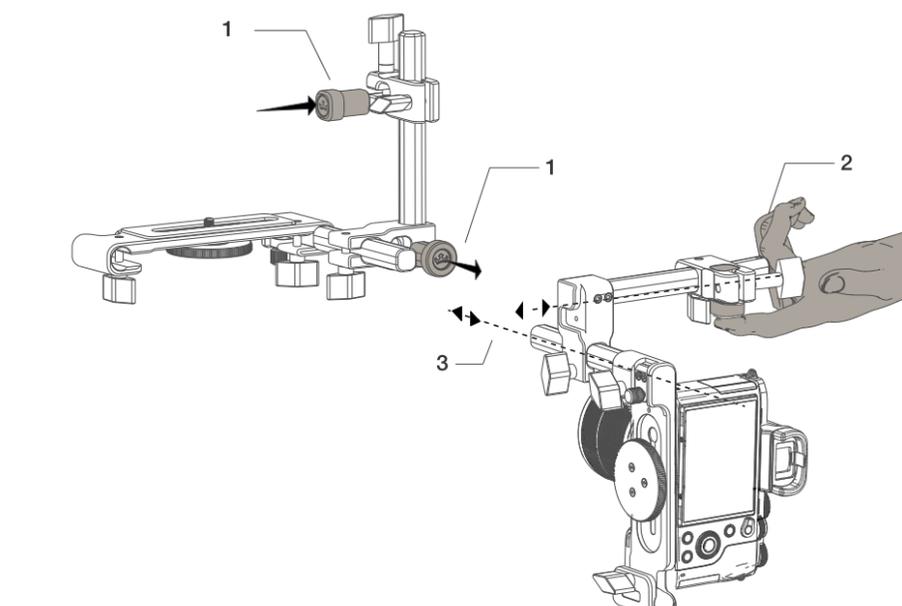
### 3. CHANGING THE MOUNTING SCREW



- HeadPLUS PRO has two options as mounting screw: 1/4"-20 & 3/8"-16.
1. Remove the indicated part with a screw driver.
  2. Remove the 1/4"-16 mounting screw.
  3. Attach the 3/8"-20 mounting screw.
  4. Attach the part back in its place.

A detailed video explaining how to change the mounting screws details can be found at: <http://edel.kr/hpv2>

### 4. FINDING THE CENTER OF GRAVITY

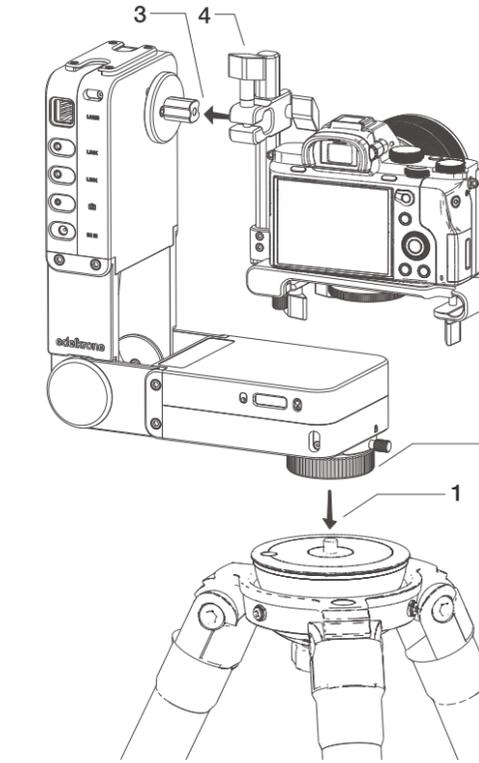


1. Remove the balance piece and place it as indicated above.
2. Hold your setup from the balance piece with your index finger as shown above.
3. Slide the rods on related dashed axes' lines and find the best position where your camera is balanced on your finger. This position gives the center of gravity of your camera for Pan & Tilt axes.

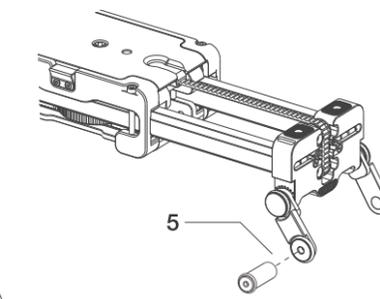
A detailed video explaining how to find the center of gravity details can be found at: <http://edel.kr/hpv2>



## 5. MOUNTING THE HEADPLUS PRO

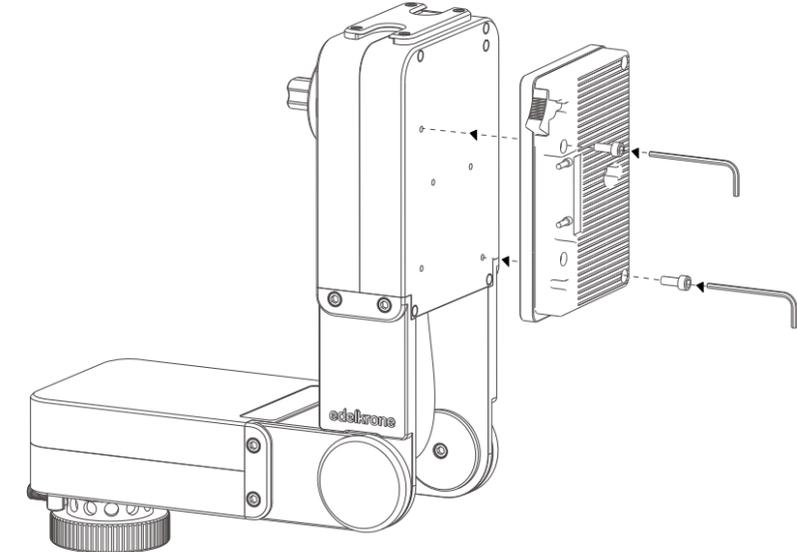


1. Align HeadPLUS PRO with any 3/8"-16 mounting screw.
2. Tighten it using the mounting wheel.
3. Attach the L-Bracket to HeadPLUS PRO.
4. Tighten the screw to lock.
5. Attach the width extenders to SliderPLUS if you are using HeadPLUS PRO with SliderPLUS.



▶ A detailed video explaining the mounting details can be found at: <http://edel.kr/hpv2>

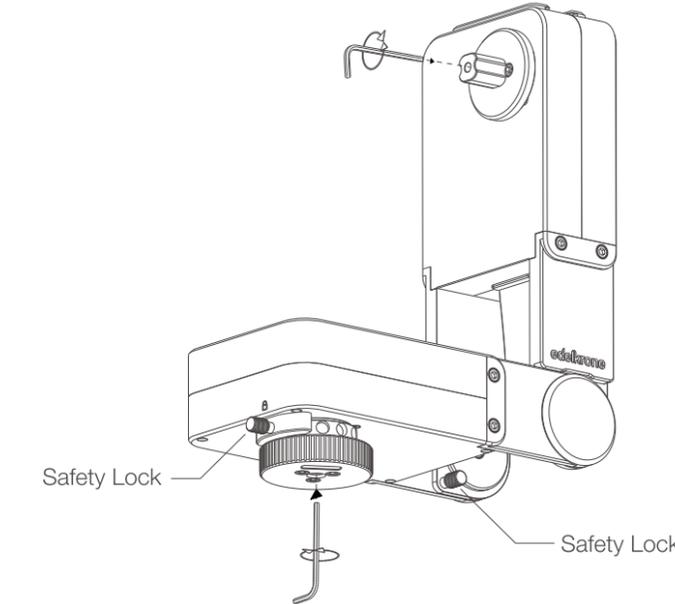
## 6. MOUNTING A BATTERY BRACKET ON HEADPLUS PRO



Depending on your choice of battery type, you need to mount the related battery bracket with 2 screws to HeadPLUS PRO. Battery brackets are sold separately.

▶ A detailed video explaining how to mount the battery bracket details can be found at: <http://edel.kr/hpv2>

## 7. MANUAL TENSION ADJUSTMENT FOR PAN/TILT & LOCKS



1. Use the 3 mm allen key to adjust the manual adjustment tension of HeadPLUS PRO Pan/Tilt.
  2. If you are not able to move Pan&Tilt axes manually, try loosening the tension. Make as little adjustments as possible.
- ! If you'd like to make adjustments on your setup or carry your HeadPLUS PRO, make sure the Safety Locks are on. Otherwise, the device will be unstable and may cause danger.

▶ A detailed video explaining details of HeadPLUS PRO can be found at: <http://edel.kr/hpv2>

## 8. START USING



1. Download the edelkrone App to your mobile device from the App Store or Google Play. Links can be found at [www.edelkrone.com/products/headplus-pro](http://www.edelkrone.com/products/headplus-pro)
2. To operate HeadPLUS PRO, hold On/Off button down until the opening bar in the information screen is full-filled.
3. HeadPLUS PRO is now ready for smart pairing or manual pairing through Bluetooth/Wifi.
4. After pairing the devices, you are now ready to use your HeadPLUS PRO.
5. Just keep following the instructions on your mobile device or visit [manuals.edelkrone.com](http://manuals.edelkrone.com) for a detailed video instruction.

! Always start using with a fully charged batteries.

! Make sure your mobile device's Bluetooth connection is on.

▶ A detailed video explaining the edelkrone App can be found at: <http://edel.kr/hpv2>

## DISPOSAL OF THE PRODUCT & WARNINGS



Should the product become damaged beyond repair, or if you wish to dispose of it, it must be disposed separately from the municipal waste stream via designated collection facilities appointed by the government or the local authorities. Observe the regulations of your area and country that relate to the disposal of electronic products.

- \* Keep your electronic Motion Control Unit away from all sorts of liquids.
- \* In order to preserve your Motion Control Unit and battery performance at their best, use the exact same type of batteries with an equivalent level of charge during dual-battery operation.
- \* Do not attempt to disassemble or modify any internal parts of your Motion Control Unit. If the device appears to be malfunctioning, discontinue use immediately and contact support for qualified service.
- \* Never force a different type of connector into a port.
- \* Never use or store your Motion Control Unit in areas subject to extreme temperatures, or high levels of vibration.
- \* If your motion control unit becomes unresponsive, disconnect and re-connect the power source. Make sure your DC adapter is plugged in or your batteries are properly charged. If the problem persists, contact our support team.
- \* Environmental factors may affect your Motion Control Unit's performance. Keep your product away from environmental hazards such as dust or heavy resonance. Do not use chemical materials to clean your product.
- \* If there is an impairment on the power or connector cable, stop using the Motion Control Unit immediately.
- \* Avoid dropping or causing physical damage to your Motion Control Unit.
- \* Do not place heavy objects on top of your Motion Control Unit.
- \*\*edelkrone cannot be held responsible for damage caused by improper use or modification of the product.
- \* Rated Voltage: 7.4V-14.8V (7.4V LP-E6 Battery / AC-DC Adapter) Rated Current: 2A  
Operating Temperature: -5°C to +45°C

▶ For more information and tips about your HeadPLUS PRO, please watch the user's manual videos at: <http://edel.kr/hpv2>