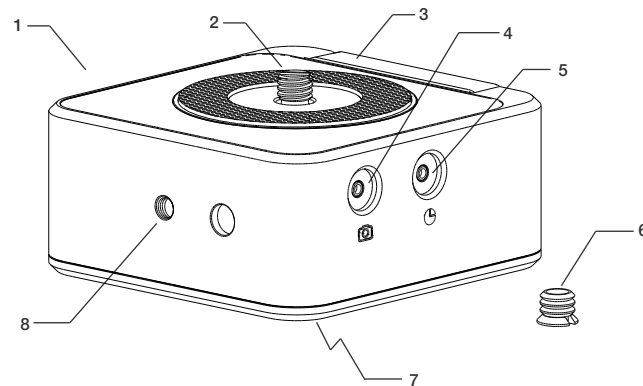


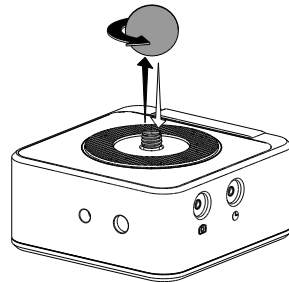
## 1. WHAT'S IN THE BOX & THE BASICS



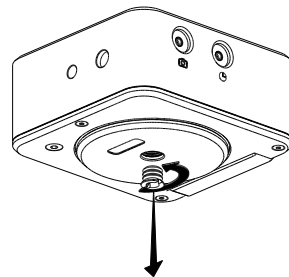
- |                                   |   |
|-----------------------------------|---|
| 1. HeadONE                        | 5. LANC port                            |
| 2. 3/8"-16 mounting screw         | 6. 3/8"-16 to 1/4"-20 reducer bushing** |
| 3. Built in LP-E6 battery bracket | 7. 3/8"-16 mounting port                |
| 4. Shutter trigger port           | 8. 1/4"-20 mounting port                |

\*\*Reducer busing (6) is mounted on the 3/8"-16 mounting port (7)

## 2. 3/8" REDUCER BUSHING & 1/4" POP UP MOUNTING SCREW

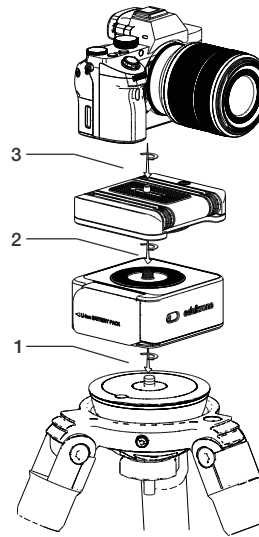


HeadONE has 3/8"-16 screw hidden inside for your tripod head. You can access this screw with the help of a coin. Turn the screw using a coin until it pops out. To hide the screw back in its place, just press it down and turn it counter clockwise.




Detach the 3/8"-16 Reducer bushing by turning it counter clockwise.

## 3. MOUNTING (CAMERA-TRIPOD-FLEXTILT HEAD 2)



1. Attach your HeadONE on your tripod by rotating it clockwise.
2. Attach your FlexTILT Head 2 on your HeadONE by rotating it clockwise.
3. Attach your camera on your FlexTILT Head 2 or on your tripod head.

 A detailed video explaining the mounting process can be found at: <http://edel.kr/ho>

## TABLE OF CONTENTS

1. WHAT'S IN THE BOX & THE BASICS
2. 3/8" REDUCER BUSHING & 1/4" POP UP MOUNTING SCREW
3. MOUNTING (CAMERA-TRIPOD-FLEXTILT HEAD 2)
4. USING WITH FLEXTILT HEAD 2
5. START USING

## DISPOSAL OF THE PRODUCT & WARNINGS

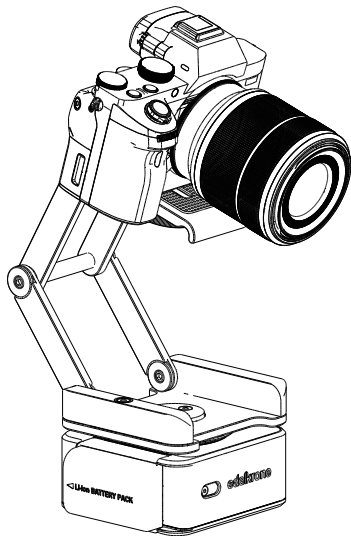


Should the product become damaged beyond repair, or if you wish to dispose of it, it must be disposed separately from the municipal waste stream via designated collection facilities appointed by the government or the local authorities. Observe the regulations of your area and country that relate to the disposal of electronic products.

- \* Keep your electronic Motion Control Unit away from all sorts of liquids.
- \* Do not attempt to disassemble or modify any internal parts of your Motion Control Unit. If the device appears to be malfunctioning, discontinue use immediately and contact support for qualified service.
- \* Never force a different type of connector into a port.
- \* Never use or store your Motion Control Unit in areas subject to extreme temperatures, or high levels of vibration.
- \* Environmental factors may affect your Motion Control Unit's performance. Keep your product away from environmental hazards such as dust or heavy resonance. Do not use chemical materials to clean your product.
- \* Avoid dropping or causing physical damage to your Motion Control Unit.
- \* Do not place heavy objects on top of your Motion Control Unit.
- \*\*edelkrone cannot be held responsible for damage caused by improper use or modification of the product.

▶ For more information and tips about your HeadONE, please watch the user's manual videos at: <http://edel.kr/ho>

## 4. USING MOTION BOX WITH FLEXTILT HEAD 2



▶ A detailed video explaining how to use the FlexTILT Head 2 with HeadONE can be found at: <http://edel.kr/ho>

FlexTILT Head 2 is recommended as a tripod head solution for HeadONE.

With FlexTILT Head 2, you can easily:

- Adjust the center of gravity of your setup,
- Pan/tilt, and
- Change the height of the camera.

## 5. START USING

1. Download the edelkrone App on your mobile device from App Store or Google Play. Links can be found at [www.edelkrone.com/headone](http://www.edelkrone.com/headone)



2. There are no on/off buttons on the HeadONE. To switch on, attach the battery to the HeadONE.
3. edelkrone App will automatically pair with your HeadONE via Bluetooth.
4. You are now ready to use your HeadONE. Just keep following the instructions on your mobile device or visit [manuals.edelkrone.com](http://manuals.edelkrone.com) for a detailed video instruction.

- ! Always start using with a fully charged battery.
- ! Make sure your mobile device's Bluetooth connection is on.
- ▶ A detailed video explaining the application usage details can be found at: <http://edel.kr/ho>

# HEADONE

## USER'S MANUAL

Before operating your edelkrone, please watch the user's manual video from the link below

<http://edel.kr/ho>

