

HANDLEPACK

for POCKETRIG v3

USER'S MANUAL

Before operating your edelkrone, please watch the user's manual video from the link below.

<http://edel.kr/hndp>

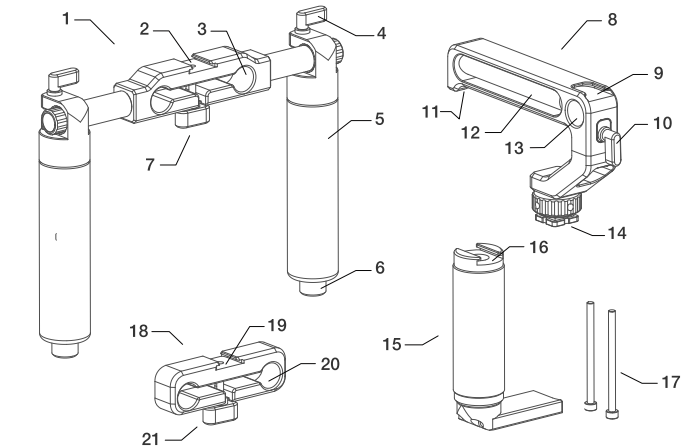


edelkrone
filmmaking solutions

TABLE OF CONTENTS

1. WHAT'S IN THE BOX & THE BASICS
2. ATTACHING THE DUAL HANDLE TO POCKETRIG v3
3. ADJUSTING THE DUAL HANDLES' ANGLE
4. ATTACHING THE RIGHT SIDE HANDLE
5. ATTACHING THE BATTERY HOLDER
6. ATTACHING YOUR BATTERY TO THE BATTERY HOLDER
7. ATTACHING THE TOP HANDLE
8. HOW TO USE THE TOP HANDLE

1. WHAT'S IN THE BOX & THE BASICS

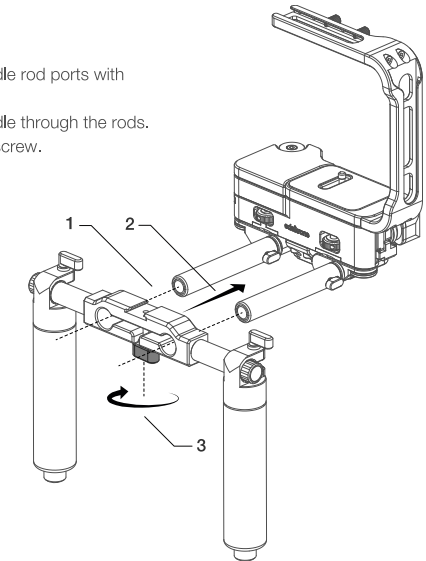


- | | | |
|---------------------------|--------------------------------|-------------------------|
| 1. Dual handle | 8. Top handle | 15. Right side handle |
| 2. Cold shoe port | 9. Cold shoe port | 16. Cold shoe port |
| 3. 15 mm rod ports | 10. Rod clamp thumb screw | 17. M4x60 SHCS (2 pcs.) |
| 4. Handle thumb screw | 11. Additional rod lock screw | 18. Battery holder |
| 5. Handle grip | 12. Additional rod (15 mm) | 19. Cold shoe port |
| 6. Additional rod (15 mm) | 13. 15 mm rod clamp | 20. 15 mm rod ports |
| 7. Thumb screw | 14. Top handle mount mechanism | 21. Thumb screw |

2. ATTACHING THE DUAL HANDLE TO POCKETRIG v3

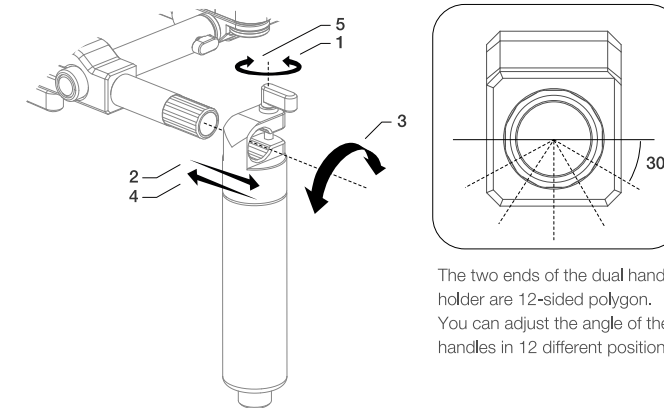
1. Align your dual handle rod ports with PocketRIG v3 rods.
2. Slide your dual handle through the rods.
3. Tighten the thumb screw.

Make sure you tighten the thumb screw enough to keep your setup secure.



A detailed video explaining how to attach the dual handle can be found at: <https://edel.kr/hndp>

3. ADJUSTING THE DUAL HANDLES' ANGLE

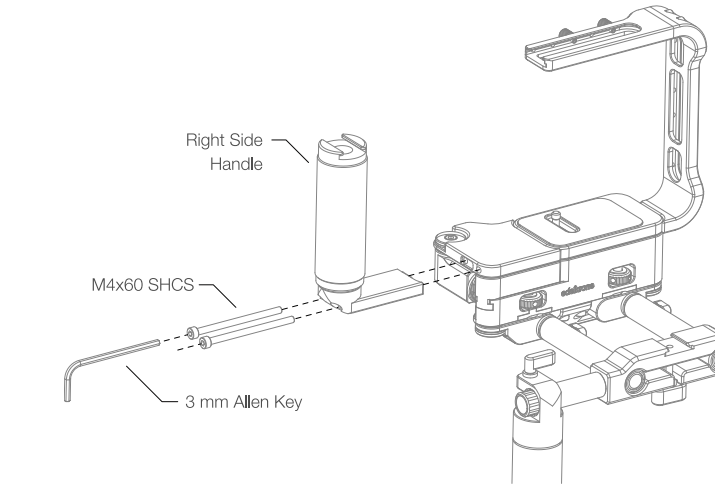


The two ends of the dual handle holder are 12-sided polygon. You can adjust the angle of the handles in 12 different positions.

1. Loosen the thumb screw.
2. Remove the handle from the dual handle holder.
3. Adjust the angle of the handles so it feels comfortable to you.
4. Attach it back to the dual handle holder.
5. Tighten the thumb screw.

A detailed video explaining the dual handle can be found at: <https://edel.kr/hndp>

4. ATTACHING THE RIGHT SIDE HANDLE

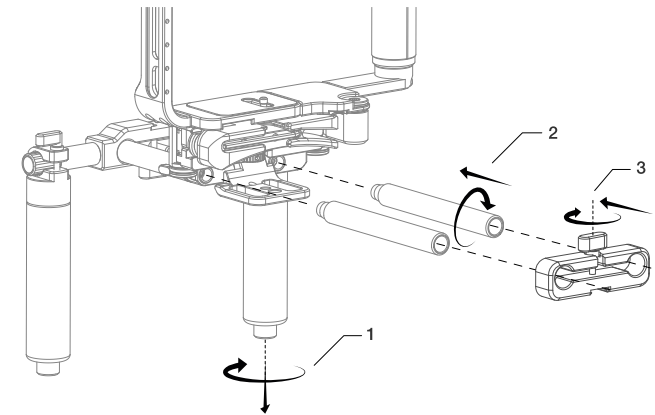


Simply align the right side handle with PocketRIG v3 as shown. Tighten the screws with the help of a 3 mm Allen key.

A detailed video explaining how to attach right side handle can be found at: <https://edel.kr/hndp>



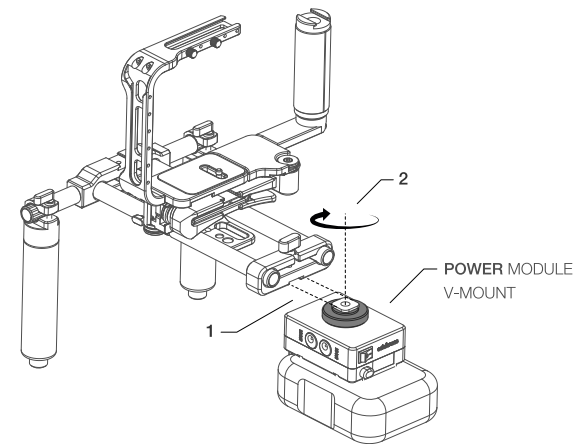
5. ATTACHING THE BATTERY HOLDER



1. Loosen the hidden rods on both handles and remove them.
2. Align with PocketRIG v3 as shown and screw the hidden rods.
3. Align the battery holder with the hidden rods, slide it, and tighten the thumb screw. You can also attach the battery holder upside down.

A detailed video explaining how to attach battery holder can be found at: <https://edel.kr/hndp>

6. ATTACHING YOUR BATTERY TO THE BATTERY HOLDER

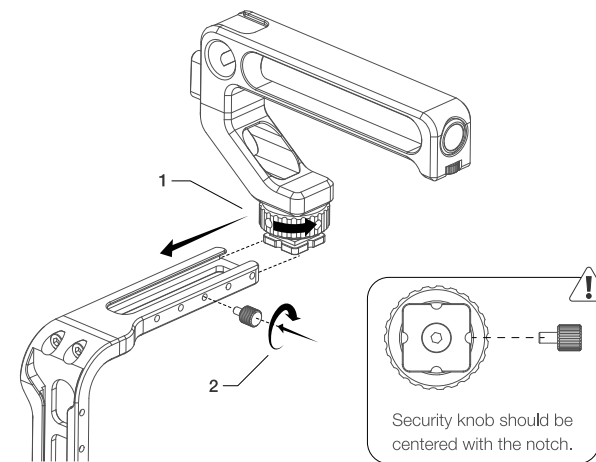


1. Align your Power Module V-mount / Gold Mount with the battery holder's cold shoe.
2. Slide it all the way and tighten the knob.

(Power Module V-Mount / Gold Mount sold separately.)

A detailed video explaining how to attach battery holder can be found at: <https://edel.kr/hndp>

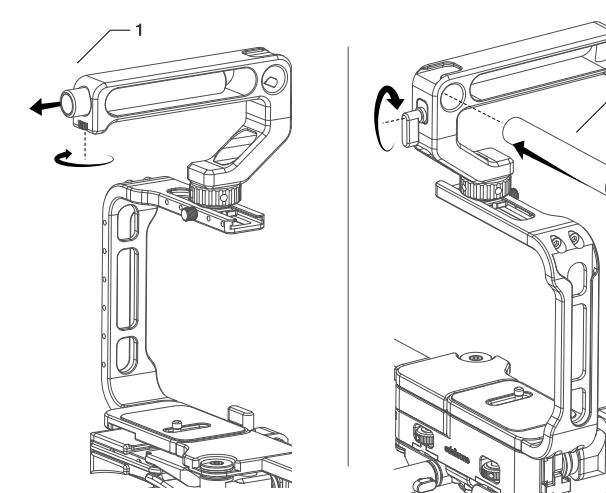
7. ATTACHING THE TOP HANDLE



1. Align the top handle with PocketRIG v3 half cage and slide it where you want to place it. Align the top handle with the holes. Then tighten the knob.
2. Screw the security knob to the center of the notch of the top handle.

A detailed video explaining the top handle can be found at: <https://edel.kr/hndp>

8. HOW TO USE THE TOP HANDLE



1. Loosen the knob and remove the hidden rod.
2. Align the hidden rod with the rod clamp and tighten the rod clamp knob.

A detailed video explaining the top handle can be found at: <https://edel.kr/hndp>

DISCLAIMER

edelkrone cannot be held responsible for damage caused by improper use or modification of the product.

For more information and tips on Handle Pack for PocketRIG v3, please watch the user's manual videos at: <https://edel.kr/hndp>