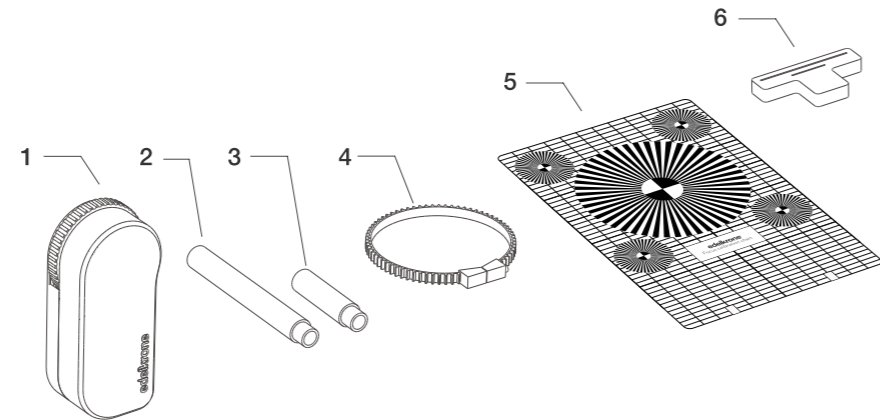


TABLE OF CONTENTS

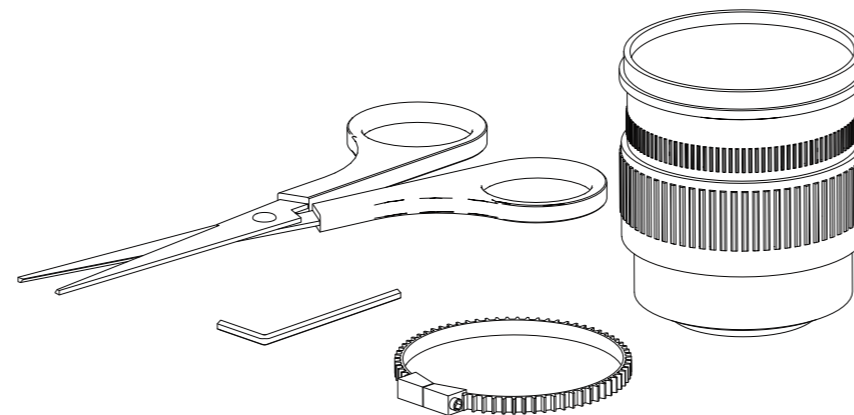
1. WHAT'S IN THE BOX & THE BASICS
2. ATTACHING LENS GEAR
3. ATTACHING FOCUS MODULE ONTO L-BRACKET
4. HOW TO USE CALIBRATION CHART
5. START USING

1. WHAT'S IN THE BOX & THE BASICS




1. Focus Module
2. Rod for Focus Module
3. Rod extension
4. Lens Gear x3
5. Calibration chart
6. Calibration stand

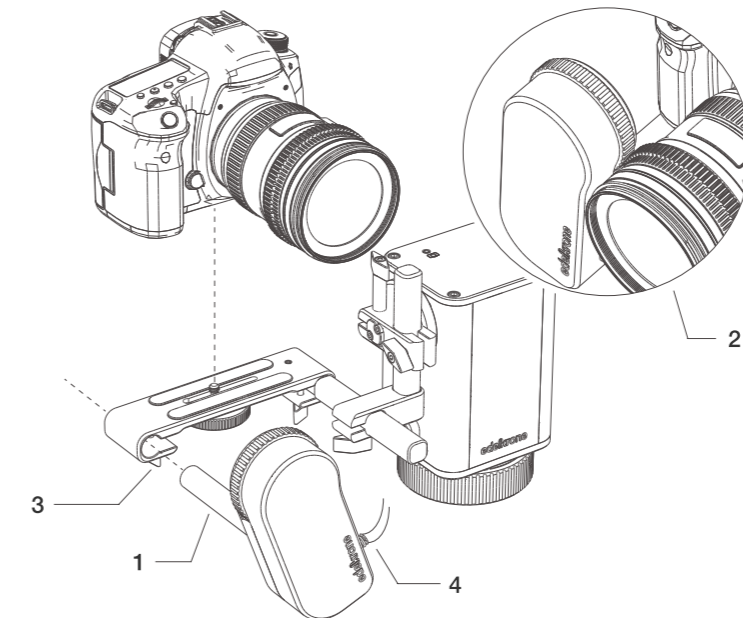
2. ATTACHING LENS GEAR




If you have a cine lens, you don't need to attach Lens Gear and may skip this step. If you don't have 0.8 pitch on your lens, attach Lens Gear to your lens.

 A detailed video explaining how to attach Lens Gear can be found at: <http://edel.kr/fcsm>

3. ATTACHING FOCUS MODULE ONTO L-BRACKET

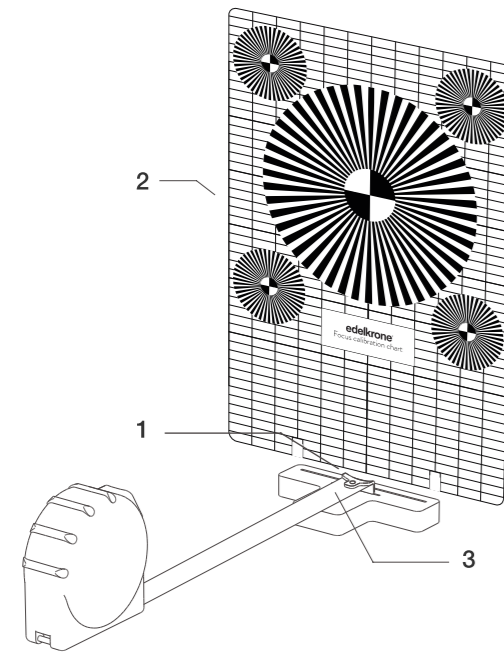


1. Attach your Focus Module to L-Bracket.
2. Make sure your Focus Module gear connects with your lens or Lens Gear firmly.
3. Tighten the screw.
4. Connect the cable of Focus Module to "Focus" connection socket on Head Module.

 Connecting cables to the wrong ports may cause serious damage to the modules.

 A detailed video explaining how to mount your Focus Module can be found at: <http://edel.kr/fcsm>

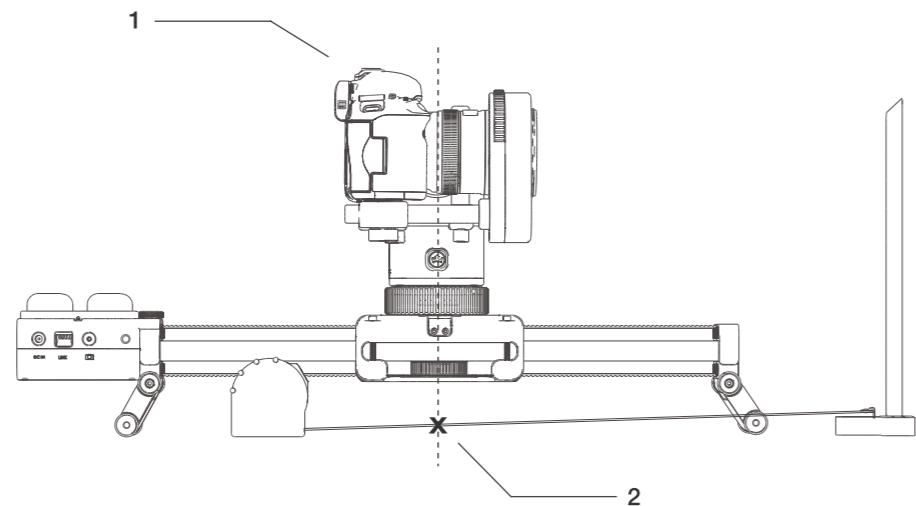
4. HOW TO USE CALIBRATION CHART



1. Place a tape measure on the calibration stand.
2. Place the calibration chart on the calibration stand.
3. If needed, use tape to secure tape measure on the calibration stand.

 A detailed video explaining how to use calibration chart & stand can be found at: <http://edel.kr/fcsm>

4. HOW TO USE CALIBRATION CHART (CONT'D)




1. Set up your SliderPLUS on the ground as shown above. Make sure you have enough distance to open your measuring tape as long as possible.
2. Mark the place that your Head Module's tilt axis vertical intersection to the ground.
3. Then just follow the instructions on the SliderPLUS App.

 A detailed video explaining how to use calibration chart & stand can be found at: <http://edel.kr/fcsm>

5. START USING



1. Download the SliderPLUS App to your mobile device from the App Store or Google Play. Links can be found at www.edelkrone.com/sliderplusx
2. There are no on/off buttons on Focus Module. Attach the battery to the Slide Module to switch on.
3. SliderPLUS App will automatically pair with your Motion Kit via Bluetooth.
4. Motion Kit will turn on with a beep sound.
5. You are now ready to use Focus Module for SliderPLUS. Just keep following the instructions on your mobile device or visit manuals.edelkrone.com for a detailed video instruction.

 Always start using with a fully charged batteries.

 Make sure your mobile device's Bluetooth connection is on.

 A detailed video explaining the SliderPLUS appusage details can be found at: <http://edel.kr/spapp>

DISPOSAL OF THE PRODUCT



Should the product become damaged beyond repair, or if you wish to dispose of it, it must be disposed separately from the municipal waste stream via designated collection facilities appointed by the government or the local authorities. Observe the regulations of your area and country that relate to the disposal of electronic products.

- * Keep your electronic Motion Control Unit away from all sorts of liquids.
 - * In order to preserve your Motion Control Unit and battery performance at their best, use the exact same type of batteries with an equivalent level of charge during dual-battery operation.
 - * Do not attempt to disassemble or modify any internal parts of your Motion Control Unit. If the device appears to be malfunctioning, discontinue use immediately and contact support for qualified service.
 - * Never force a different type of connector into a port.
 - * Never use or store your Motion Control Unit in areas subject to extreme temperatures, or high levels of vibration.
 - * If your motion control unit becomes unresponsive, disconnect and re-connect the power source. Make sure your DC adapter is plugged in or your batteries are properly charged. If the problem persists, contact our support team.
 - * Environmental factors may affect your Motion Control Unit's performance. Keep your product away from environmental hazards such as dust or heavy resonance. Do not use chemical materials to clean your product.
 - * Only use included battery plate, DC adapter or equivalent power sources. Use of an inappropriate power source may permanently damage your Motion Control Unit.
 - * If there is an impairment on the power or connector cable, stop using the Motion Control Unit immediately.
 - * Avoid dropping or causing physical damage to your Motion Control Unit.
 - * Do not place heavy objects on top of your Motion Control Unit.
- **edelkrone cannot be held responsible for damage caused by improper use or modification of the product.

 For more information and tips about your Focus Module, please watch the user's user manual video at: <http://edel.kr/fcsm>

FOCUS MODULE[®]

USER'S MANUAL

Before operating your edelkrone,
please watch the user's manual video.

<http://edel.kr/fcsm>

