

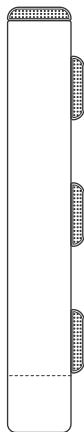
BACKPACK

USER'S MANUAL

Before using your edelkrone Backpack,
please check out the user's manual first.

edelkrone[®]

1. WHAT'S IN THE BOX



x2
Long
Separator Pad

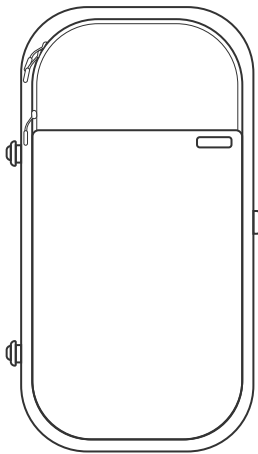


x9
Short
Separator Pad

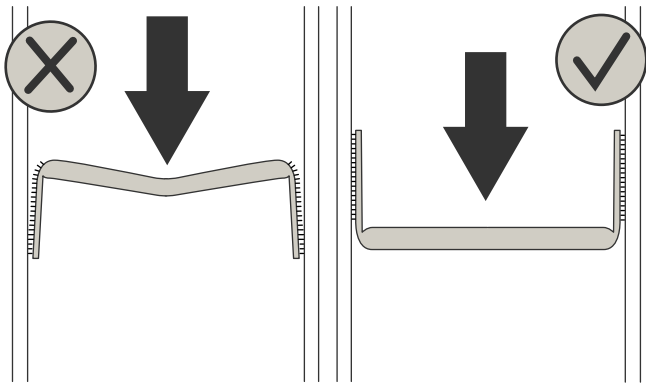


x5
Flexible
Fastener

Backpack

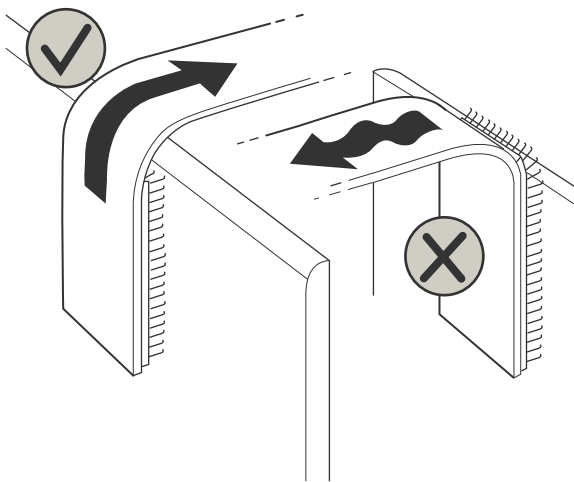


2. HOOK & LOOP FASTENERS



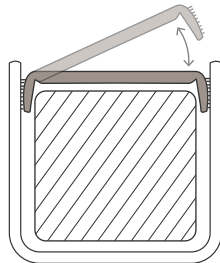
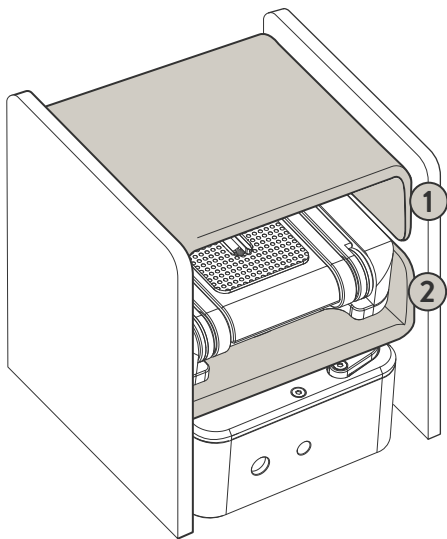
For easy removal, one side of the pads sticks strongly as opposed to the other. Choose a side according to your purpose.

3. HOOK & LOOP FASTENERS

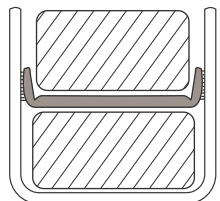


For easy removal, one side of the pads sticks strongly as opposed to the other. Choose a side according to your purpose.

4. SEPARATOR PADS



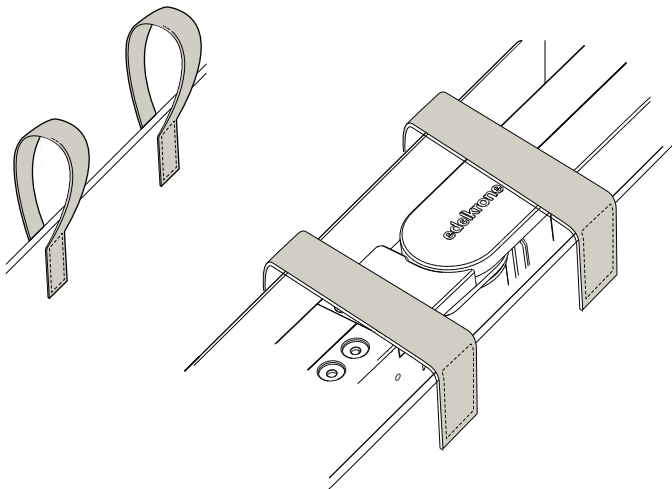
Cap usage



Shelf usage

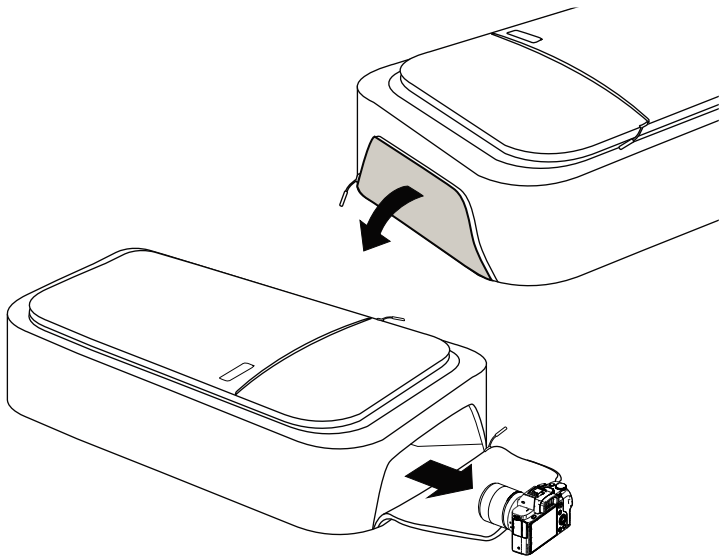
You can use the separator pads as a cap to safely carry your equipment (1).
You can also use the separator pads as a shelf to put the units on top of the other.(2).

5. FLEXIBLE STRAPS



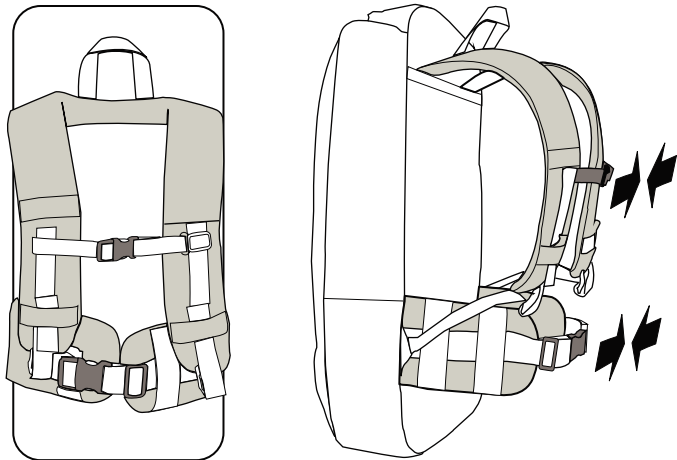
Hook & loop straps stretches to fix units. When you don't need the straps, you can attach them as shown above.

6. QUICK ACCESS POCKET



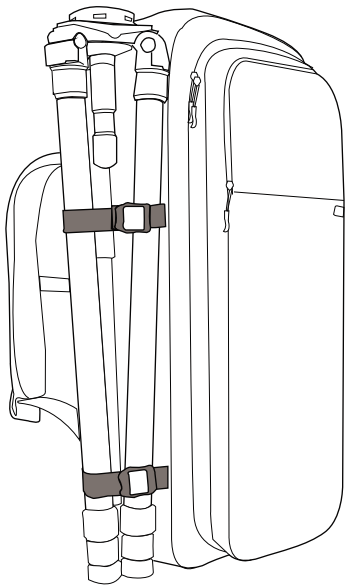
There is a quick access zip at the top of the backpack.
You can use it to access your camera quickly.

7. SHOULDER & BELT SUPPORTS



The shoulder and belt support allows you to carry the backpack easily and safely.

8. ATTACHING THE TRIPOD



You can attach your tripod to the backpack with the help of the straps on the side.

DISCLAIMER

edelkrone cannot be held responsible for damage caused by improper use or modification of the product.