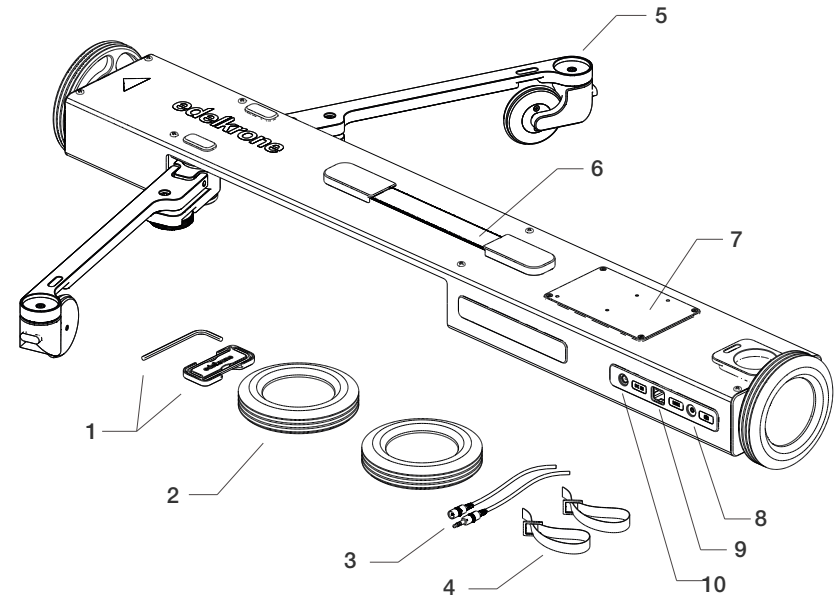


TABLE OF CONTENTS

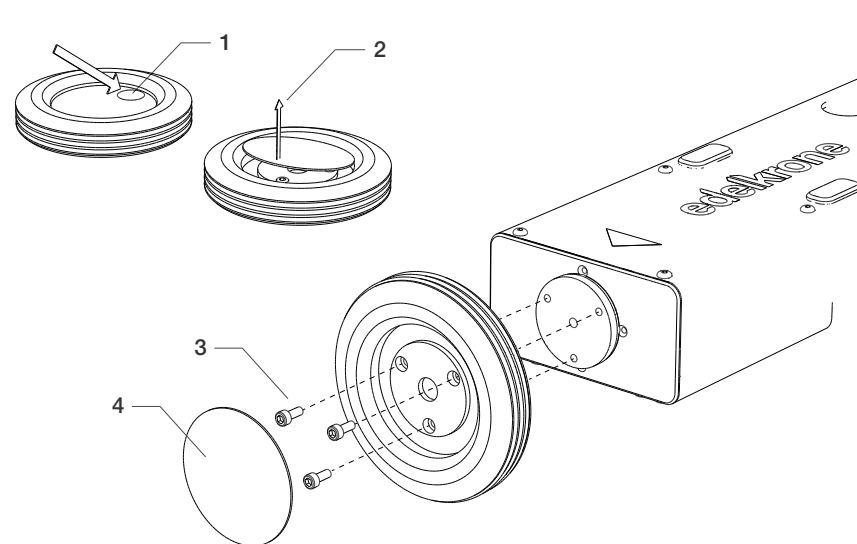
1. WHAT'S IN THE BOX & THE BASICS
2. ATTACHING THE WHEELS
3. ATTACHING THE BATTERY BRACKET
4. USING WITH A TRIPOD
5. SUSPENSION TENSION ADJUSTMENT
6. HOW TO USE HOOK & LOOP FASTENER
7. START USING

1. WHAT'S IN THE BOX & THE BASICS




- | | |
|-------------------------------|--------------------------|
| 1. Allen keys | 6. Handle |
| 2. Wheels | 7. Battery bracket plate |
| 3. Shutter trigger extensions | 8. Shutter trigger port |
| 4. Hook & Loop fasteners | 9. Link port |
| 5. Foldable legs | 10. DC in socket |

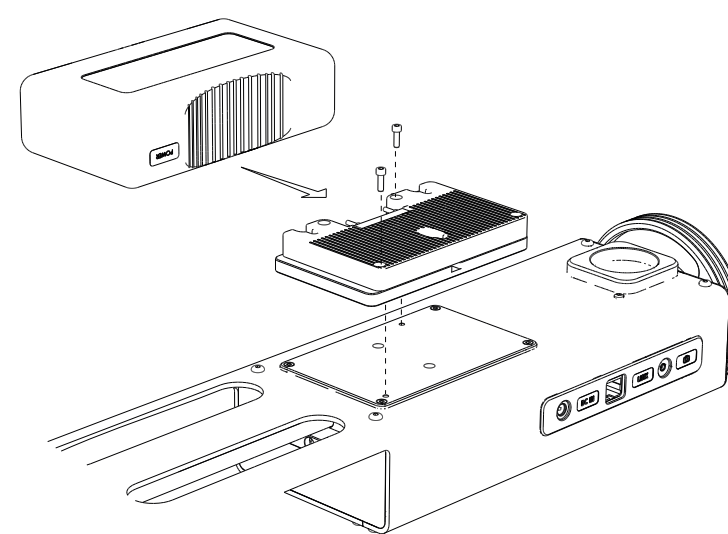
2. ATTACHING THE WHEELS



1. Push strongly on the cover to open it.
2. Take off the cover.
3. Attach the wheels with 3 screws to the DollyPLUS as shown above.
4. Close the cover on to the wheel.

 A detailed video explaining how to attach the wheels details can be found at: <http://edel.kr/dp>

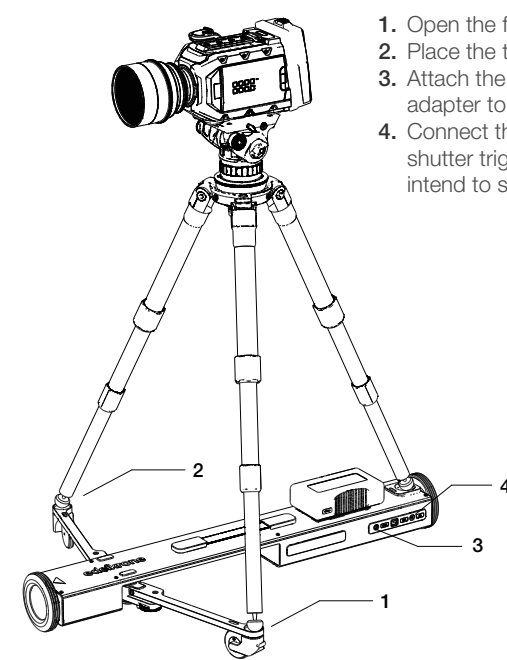
3. ATTACHING THE BATTERY BRACKET




Depending on your choice of battery type, you need to mount the related battery bracket with 2 screws to the DollyPLUS. The battery brackets are sold separately.


 A detailed video explaining how to attach the battery bracket details can be found at: <http://edel.kr/dp>

4. USING WITH A TRIPOD

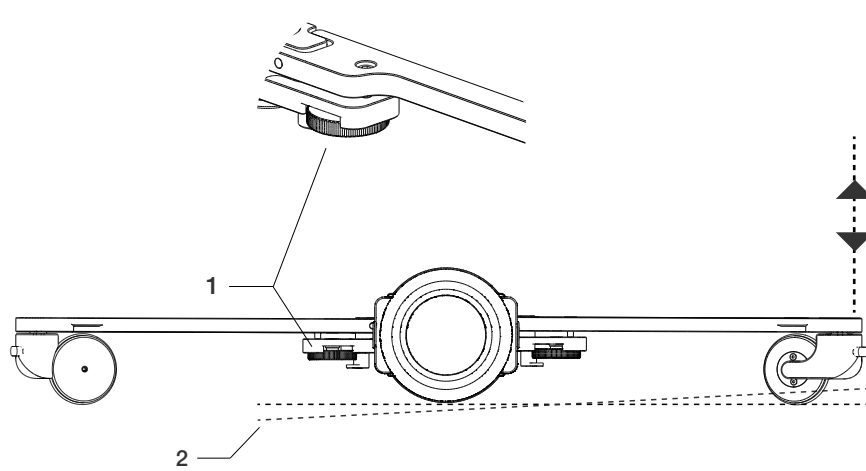


1. Open the foldable legs.
2. Place the tripod on the DollyPLUS.
3. Attach the batteries or connect the power adapter to the DC IN socket.
4. Connect the shutter trigger cable to the shutter trigger cable port  when you intend to shoot time-lapse and stop motion.


 Connecting cables to the incorrect ports may cause serious damage to the modules.

 A detailed video explaining how to use the DollyPLUS with tripod details can be found at: <http://edel.kr/dp>

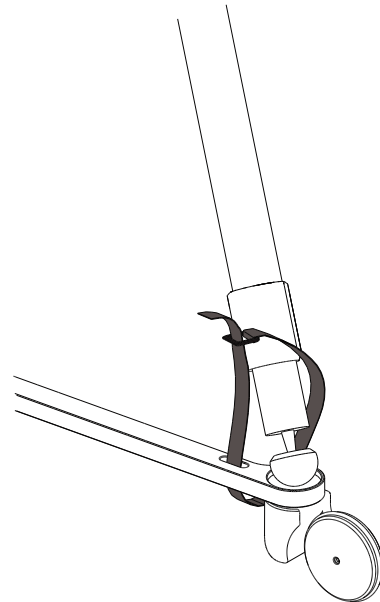
5. SUSPENSION TENSION ADJUSTMENT




1. You have the option to adjust the suspension tension of DollyPLUS.
2. If DollyPLUS is unstable and clattering on a flat surface, loosen the tension for both sides until it is fully in contact with the surface and doesn't clatter anymore.
3. If it continues clattering even though you have completely loosened the tension, please increase the load on DollyPLUS.
4. If the tension is too loose, the wheels may skid and DollyPLUS may lose its path.

 A detailed video explaining how to adjust the suspension tension can be found at: <http://edel.kr/dp>

6. HOW TO USE HOOK & LOOP FASTENER




Use hook & loop fastener to fasten the tripod to DollyPLUS.

 A detailed video explaining how to use hook & loop fastener details can be found at: <http://edel.kr/dp>

7. START USING



1. Download the edelkrone App to your mobile device from the App Store or Google Play. Links can be found at <https://edelkrone.com/products/dollyplus>.
2. There are no on/off buttons on your DollyPLUS. To turn it on, attach the batteries to the DollyPLUS.
3. edelkrone App will automatically pair with your DollyPLUS through Bluetooth/WiFi.
4. The DollyPLUS will turn on with a beep sound.
5. You are now ready to use your DollyPLUS. Just keep following the instructions on your mobile device or visit manuals.edelkrone.com for a detailed video instruction.

 Always start using with fully charged batteries.

 Make sure your mobile device's Bluetooth connection is on.


 A detailed video explaining the edelkrone App can be found at: <http://edel.kr/dp>

DISPOSAL OF THE PRODUCT & WARNINGS



Should the product become damaged beyond repair, or if you wish to dispose of it, it must be disposed separately from the municipal waste stream via designated collection facilities appointed by the government or the local authorities. Observe the regulations of your area and country that relate to the disposal of electronic products.

- * Keep your electronic Motion Control Unit away from all sorts of liquids.
- * In order to preserve your Motion Control Unit and battery performance at their best, use the exact same type of batteries with an equivalent level of charge during dual-battery operation.
- * Do not attempt to disassemble or modify any internal parts of your Motion Control Unit. If the device appears to be malfunctioning, discontinue use immediately and contact support for qualified service.
- * Never force a different type of connector into a port.
- * Never use or store your Motion Control Unit in areas subject to extreme temperatures, or high levels of vibration.
- * If your motion control unit becomes unresponsive, disconnect and re-connect the power source. Make sure your DC adapter is plugged in or your batteries are properly charged. If the problem persists, contact our support team.
- * Environmental factors may affect your Motion Control Unit's performance. Keep your product away from environmental hazards such as dust or heavy resonance. Do not use chemical materials to clean your product.
- * Only use included battery plate, DC adapter or equivalent power sources. Use of an inappropriate power source may permanently damage your Motion Control Unit.
- * If there is an impairment on the power or connector cable, stop using the Motion Control Unit immediately.
- * Avoid dropping or causing physical damage to your Motion Control Unit.
- * Do not place heavy objects on top of your Motion Control Unit.
- **edelkrone cannot be held responsible for damage caused by improper use or modification of the product.

 For more information and tips about your DollyPLUS, please watch the user's manual videos at: <http://edel.kr/dp>

DOLLYPLUS & DOLLYPLUS PRO

USER'S MANUAL

Before operating your edelkrone, please watch the user's manual video from the link below

<http://edel.kr/dp>



edelkrone
filmmaking solutions