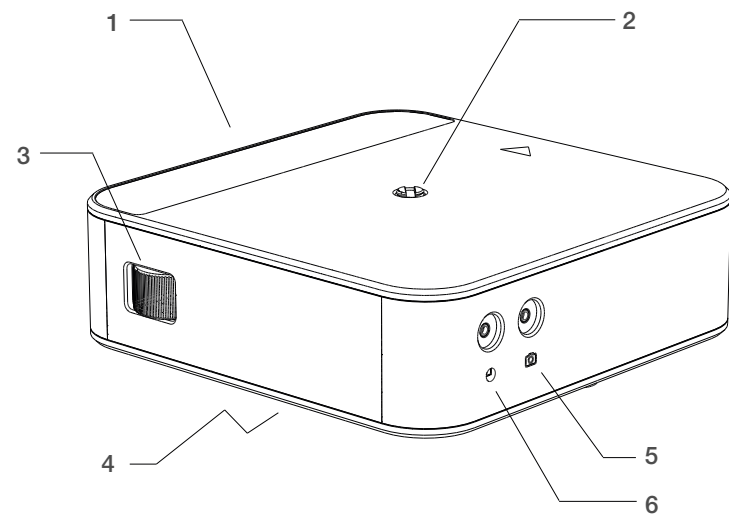
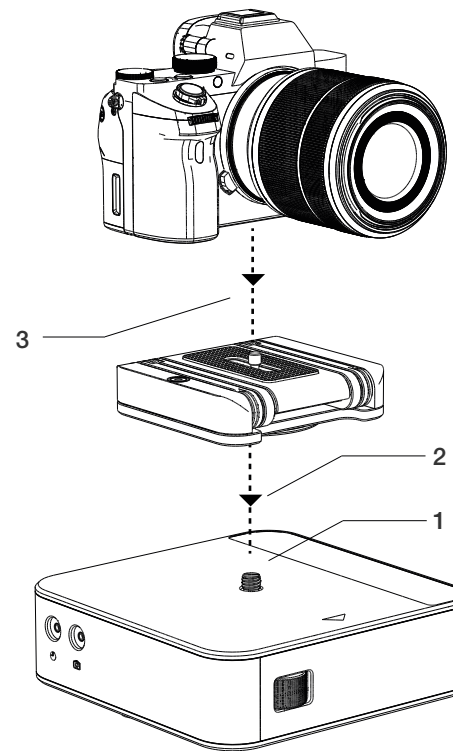


1. WHAT'S IN THE BOX & THE BASICS



- | | |
|----------------------------------|--------------------------|
| 1. DollyONE | 4. LP-E6 battery bracket |
| 2. 3/8"-16 pop-up screw | 5. Shutter trigger port |
| 3. Suspension tension adjustment | 6. LANC connection port |

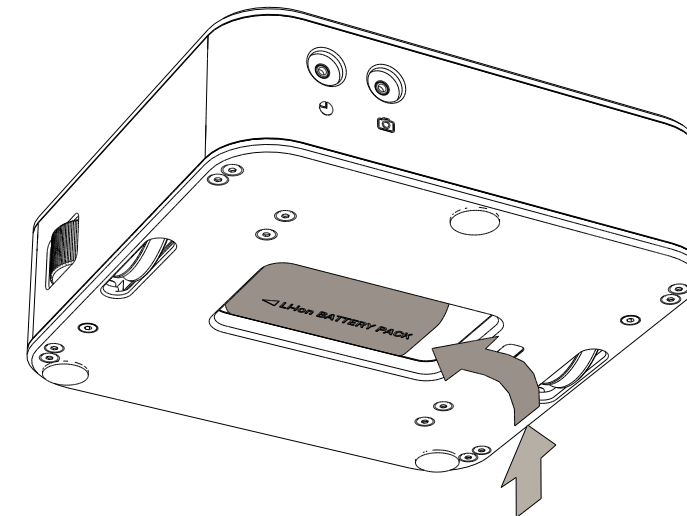
2. ATTACHING TRIPOD HEAD & YOUR CAMERA



1. DollyONE has 3/8"-16 screw hidden inside for camera heads. You can access this screw with the help of a coin.
2. Mount your tripod head to DollyONE using the 3/8"-16 pop-up screw.
3. Attach your camera to tripod head.

 A detailed video explaining how to attach FlexTILT Head & camera details can be found at: <http://edel.kr/do>

3. ATTACHING BATTERY



LP-E6 battery bracket is at the bottom of DollyONE. Just connect a single LP-E6 battery to power your DollyONE.


 A detailed video explaining how to attach battery details can be found at: <http://edel.kr/do>

TABLE OF CONTENTS

1. WHAT'S IN THE BOX & THE BASICS
2. ATTACHING TRIPOD HEAD & YOUR CAMERA
3. ATTACHING BATTERY
4. SUSPENSION TENSION ADJUSTMENT
5. START USING

DISPOSAL OF THE PRODUCT & WARNINGS

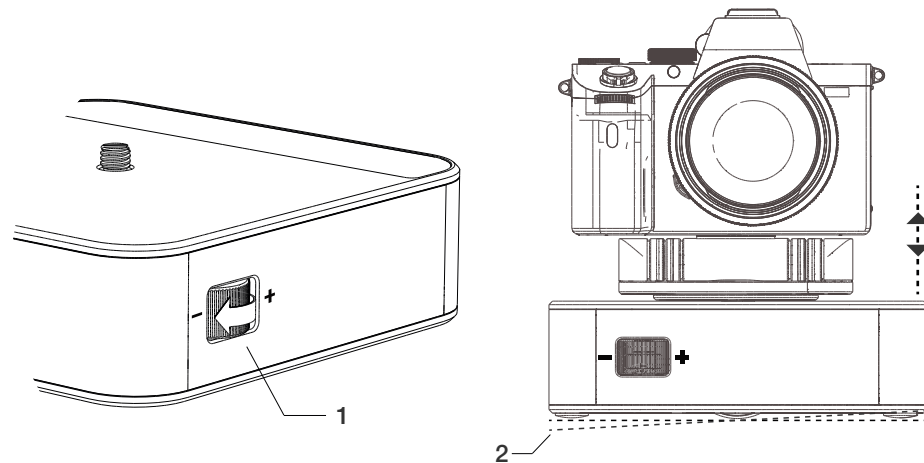


Should the product become damaged beyond repair, or if you wish to dispose of it, it must be disposed separately from the municipal waste stream via designated collection facilities appointed by the government or the local authorities. Observe the regulations of your area and country that relate to the disposal of electronic products.

- * Keep your electronic Motion Control Unit away from all sorts of liquids.
- * Do not attempt to disassemble or modify any internal parts of your Motion Control Unit. If the device appears to be malfunctioning, discontinue use immediately and contact support for qualified service.
- * Never force a different type of connector into a port.
- * Environmental factors may affect your Motion Control Unit's performance. Keep your product away from environmental hazards such as dust, extreme temperatures or heavy resonance. Do not use chemical materials to clean your product.
- * Avoid dropping or causing physical damage to your Motion Control Unit.
- * Do not place heavy objects on top of your Motion Control Unit.
- **edelkrone cannot be held responsible for damage caused by improper use or modification of the product.

▶ For more information and tips about your DollyONE, please watch the user's manual videos at: <http://edel.kr/do>

4. SUSPENSION TENSION ADJUSTMENT



1. You have the option to adjust the suspension tension of DollyONE.
2. If DollyONE is unstable and clattering on a flat surface, loosen the tension for both sides until it is fully in contact with the surface and doesn't clatter anymore.
3. If it continues clattering even though you have completely loosened the tension, please increase the load on DollyONE.
4. If the tension is too loose, the wheels may skid and DollyONE may lose its path.

▶ A detailed video explaining how to adjust the suspension tension can be found at: <http://edel.kr/do>

5. START USING



1. Download edelkrone App to your mobile device from the App Store or Google Play. Links can be found at <https://edelkrone.com/products/dollyone>.
2. There are no on/off buttons on your DollyONE. Attach a battery to DollyONE to switch it on.
3. edelkrone App will automatically pair with your DollyONE via Bluetooth.
4. DollyONE will turn on with a beep sound.
5. You are now ready to use your DollyONE. Just keep following the instructions on your mobile device or visit manuals.edelkrone.com for a detailed video instruction.

! Always start using with a fully charged battery.

! Make sure your mobile device's Bluetooth connection is on.

▶ A detailed video explaining the edelkrone App can be found at: <http://edel.kr/do>

DOLLYONE USER'S MANUAL

Before operating your edelkrone, please watch the user's manual video from the link below

<http://edel.kr/do>



edelkrone
filmmaking solutions