



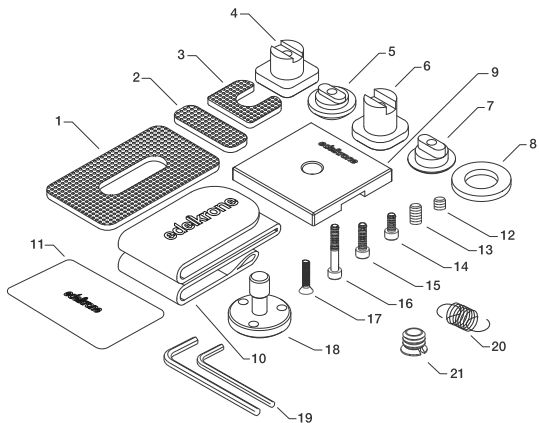
PHONE**GRIP** 3D

USER'S MANUAL

Before operating your edelkrone,
please watch the user's manual video from the link below

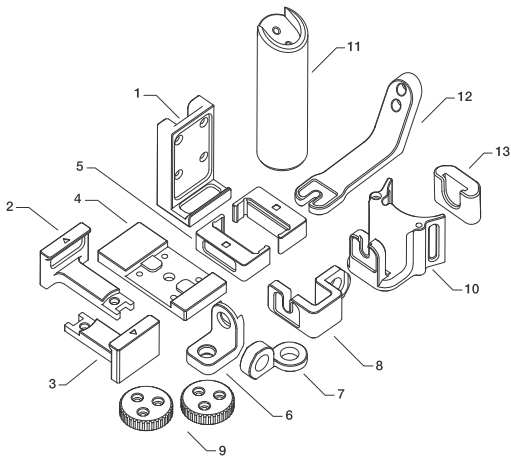
<http://edel.kr/pg3d>

1. WHAT'S IN THE BOX



- | | | |
|---|------------------------------|---|
| 1. Anti-slip sticker (AS1) | 8. X5 (2 pcs) | 15. M3x12 SHCS (2 pcs) |
| 2. Anti-slip stickers (AS2)(4 pcs) | 9. X6 | 16. M3x30 SHCS |
| 3. Anti-slip stickers (AS3)(3 pcs) | 10. X7 | 17. M3x16 FHCS(4 pcs) |
| 4. X1 | 11. Logo sticker | 18. X8 (2 pcs) |
| 5. X2 | 12. M5x5 set screw | 19. 2.5 & 2 mm allen key |
| 6. X3 | 13. M5x12 set screw | 20. Spring |
| 7. X4 | 14. M3x8 SHCS (8 pcs) | 21. 3/8" to 1/4" Adapter (2 pcs) |

2. PRINTED PARTS



1. A1

2. A2

3. A2.1

4. A3

5. A4 (2 pcs)

6. B1

7. B2

8. B3

9. B4 (2 pcs)

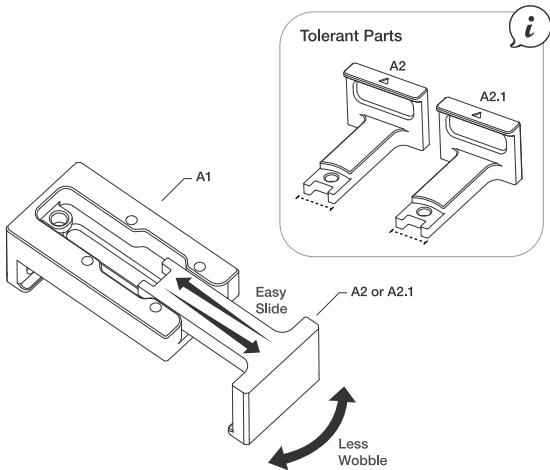
10. C1

11. D1

12. D2

13. E1

3. TOLERANCE OF DYNAMIC PARTS

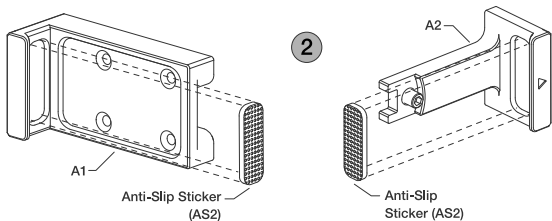
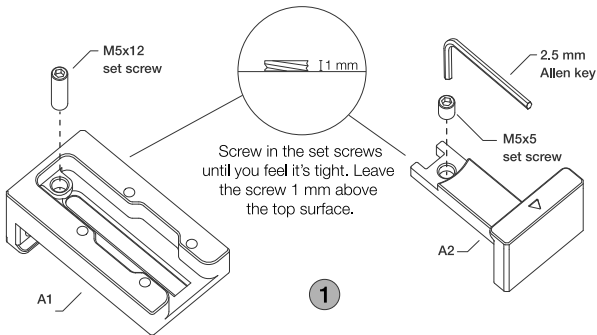


1. Check the tolerant parts and try to slide either part **A2** or **A2.1** into the part **A1**. Pick the one that slides easily and wobbles less.



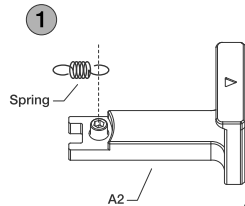
A detailed video explaining the assembly process can be found at:
<http://edel.kr/pg3d>

4. PREPARING THE PARTS A1 & A2



A detailed video explaining the assembly process can be found at:
<http://edel.kr/pg3d>

5. ASSEMBLY OF THE PHONE HOLDER

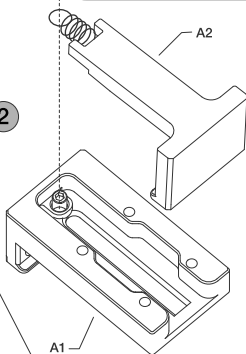


CAUTION

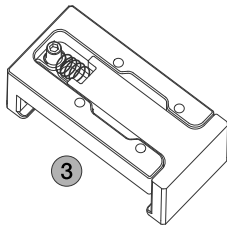
Don't stretch the spring too much.

Safety glasses and gloves strongly recommended during these process.

2

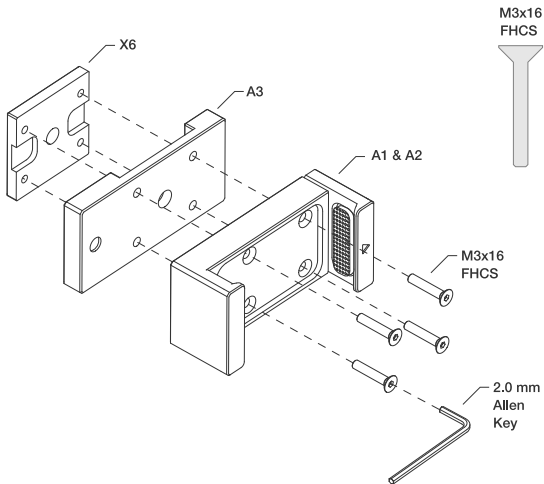


3



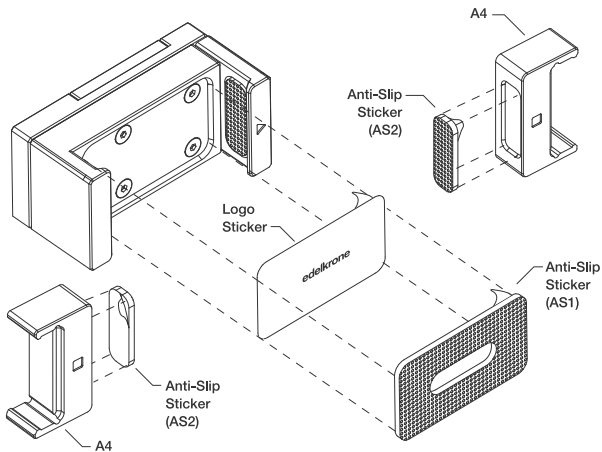
A detailed video explaining the assembly process can be found at:
<http://edel.kr/pg3d>

6. ASSEMBLY OF THE PHONE HOLDER



A detailed video explaining the assembly process can be found at:
<http://edel.kr/pg3d>

7. PROTECTIVE STICKERS

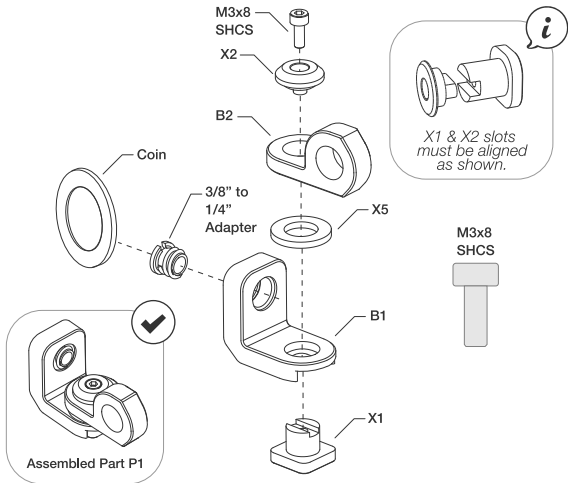


***Parts A4 are optional to use. Using these parts, you may use your edelkrone Controller or small devices with PhoneGRIP.*



A detailed video explaining the assembly process can be found at:
<http://edel.kr/pg3d>

8. ASSEMBLY OF JOINTS

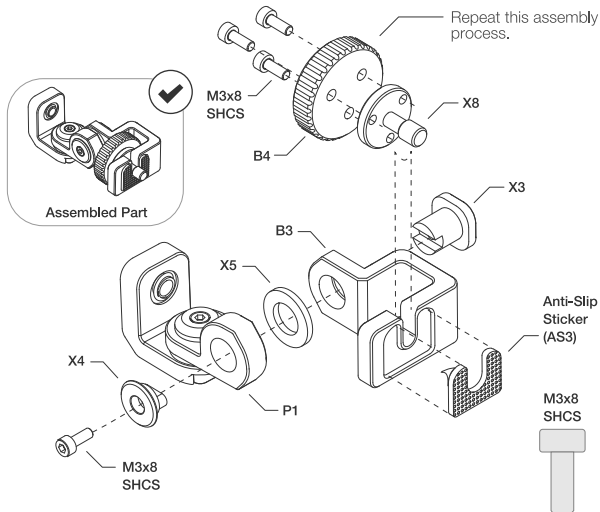


***You can use a small amount of adhesive to attach the parts, as the assembly of the 3/8" to 1/4" adapter varies depending on the filament type and fill rate.*



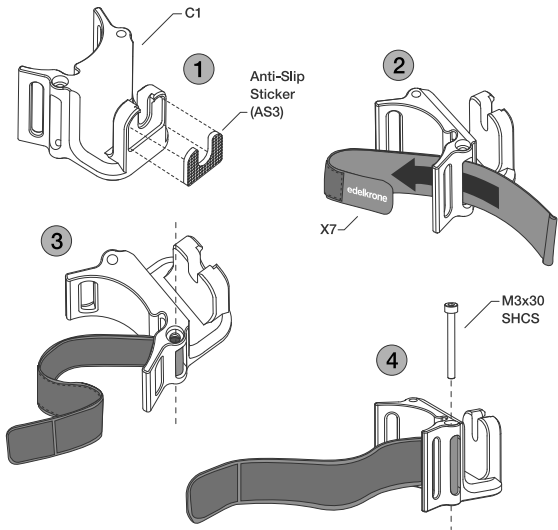
A detailed video explaining the assembly process can be found at:
<http://edel.kr/pg3d>

9. ASSEMBLY OF THE JOINTS



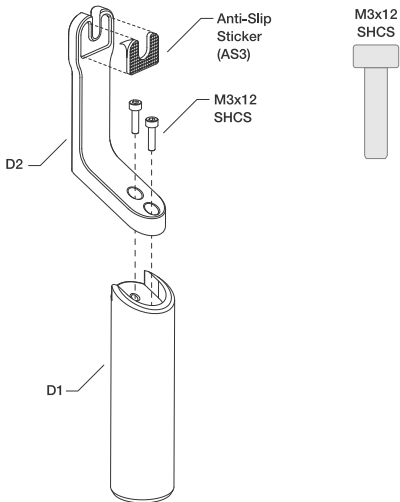
A detailed video explaining the assembly process can be found at:
<http://edel.kr/pg3d>

10. ASSEMBLY OF THE TRIPOD ADAPTER



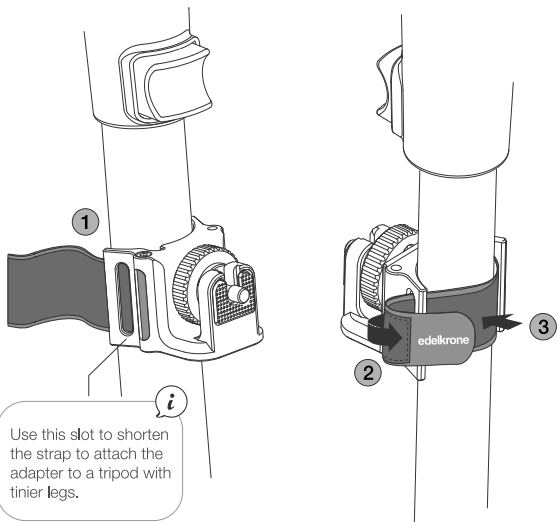
A detailed video explaining the assembly process can be found at:
<http://edel.kr/pg3d>

11. ASSEMBLY OF THE HAND GRIP



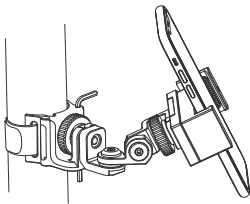
A detailed video explaining the assembly process can be found at:
<http://edel.kr/pg3d>

12. ATTACHING THE TRIPOD ADAPTER TO YOUR TRIPOD

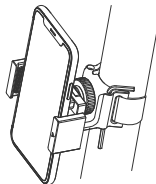


A detailed video explaining the assembly process can be found at:
<http://edel.kr/pg3d>

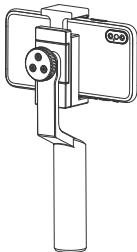
13. USAGE SCENARIOS



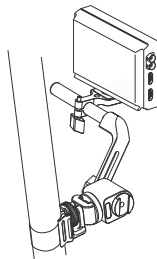
Dual axis use



Direct use



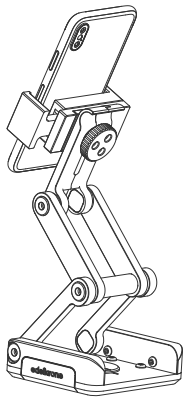
Hand Grip



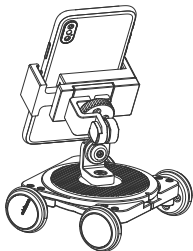
Cold Shoe Adapter

***edelkrone cannot be held responsible for any damage caused by over-weight setups since the carrying capacity of the product may vary due to filament types and fill rates.*

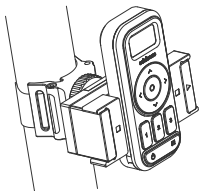
14. USAGE SCENARIOS



with FlexTILT Head 3D



with Skater 3D



with edelkrone Controller



DISCLAIMER

edelkrone cannot be held responsible for damage caused by improper use or modification of the product.

*Keep your product out of direct sunlight.

For more information and tips about your PhoneGRIP 3D, please watch the user's manual videos at : <http://edel.kr/pg3d>