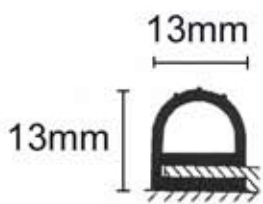
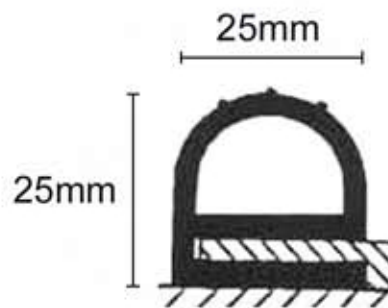


Extrusions - E shapes

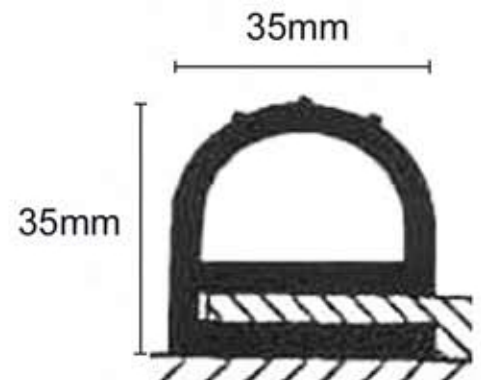
Disclaimers: Manufacturing tolerance of +/- 1-2mm. All images are a guide only. Sizes on screen and printed may vary depending on monitor and printer. (Created on an 85 pixel monitor)



E-13



E-25



E-35

Distributors & Agents for Rubber, Foam & Matting Supplies

- ✓ Self Adhesive Sealing Tape
- ✓ Insertion, Neoprene & Nitrile Rubber
- ✓ Commercial Matting
- ✓ Door & Boot Rubber Seals
- ✓ Grip Products



- ✓ Auto & Marine: Matting/Carpets/Vinyl
- ✓ Latex & Foam Mattresses
- ✓ Foam Cut to Size
- ✓ Marine Fender & Hatch Seals