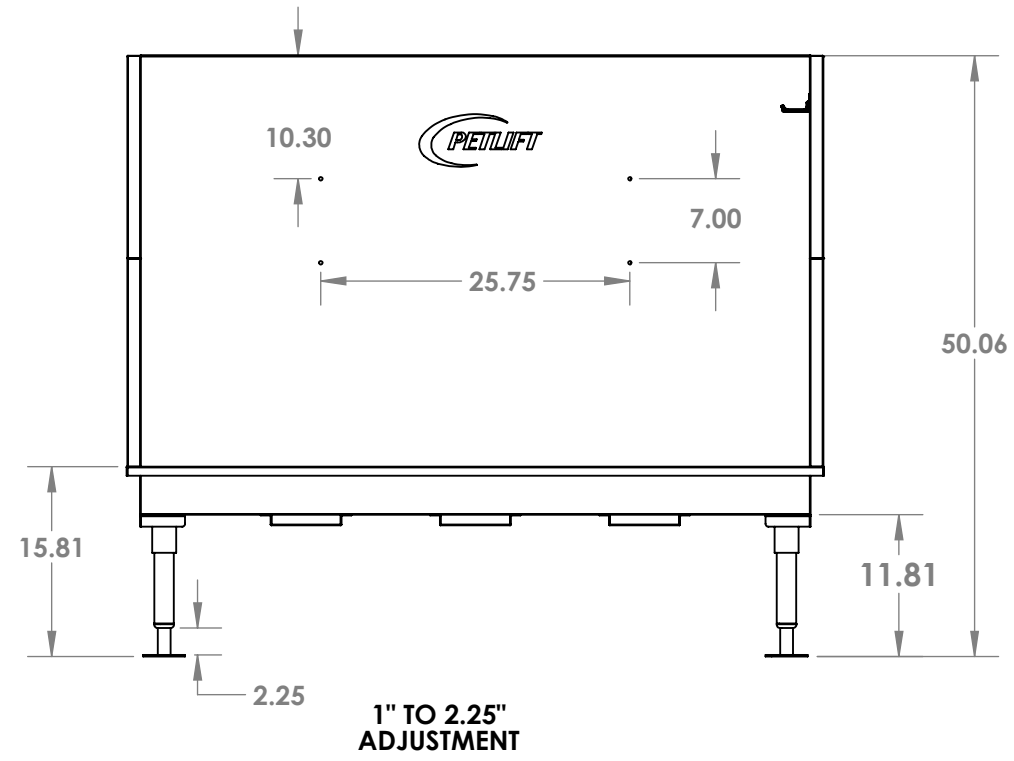
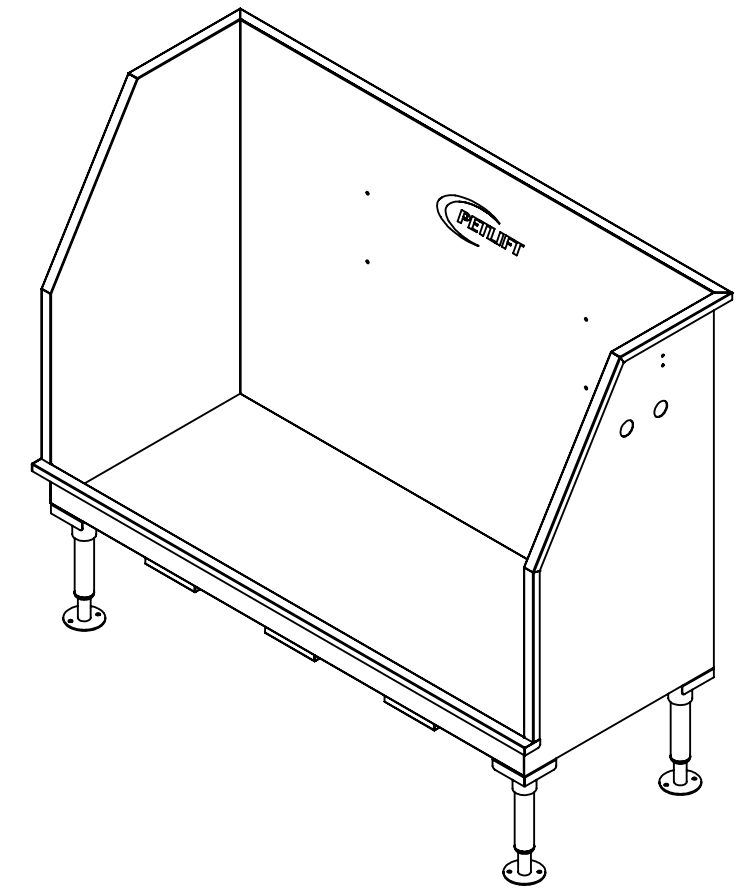
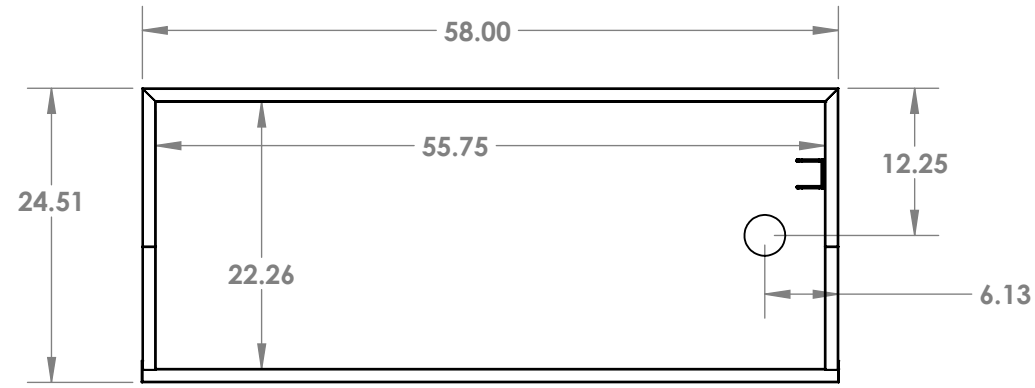
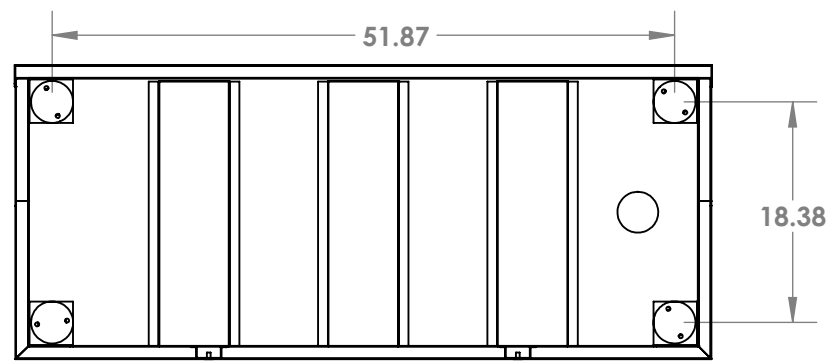
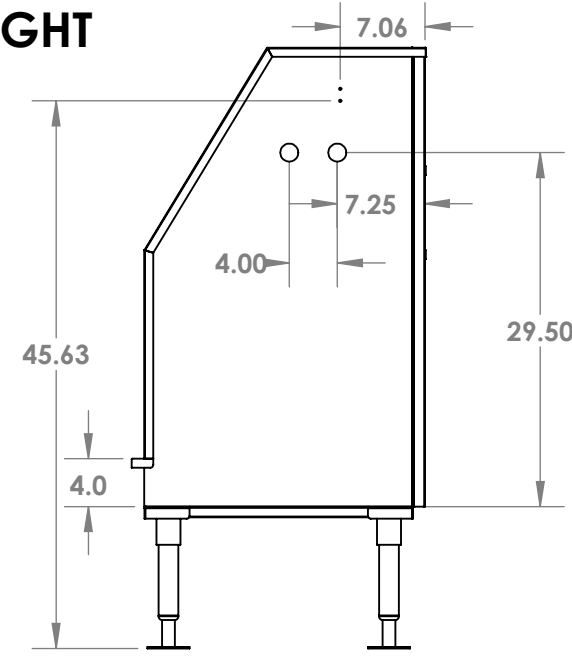


**RIGHT SIDE SHOWN
LEFT SIDE OPPOSTIE**

WEIGHT = 117LBS.



MAX. HEIGHT



PROPRIETARY AND CONFIDENTIAL
THE INFORMATION CONTAINED IN THIS DRAWING IS THE SOLE PROPERTY OF <INSERT COMPANY NAME HERE>. ANY REPRODUCTION IN PART OR AS A WHOLE WITHOUT THE WRITTEN PERMISSION OF <INSERT COMPANY NAME HERE> IS PROHIBITED.

		UNLESS OTHERWISE SPECIFIED:		NAME	DATE	PET LIFT S&B MFG TITLE: WALK-IN TUB SIZE DWG. NO. REV B M2006-58 - SCALE: 1:16 WEIGHT: SHEET 1 OF 1
		DIMENSIONS ARE IN INCHES		DRAWN	JRS 8/1/13	
		TOLERANCES:		CHECKED		
		FRACTIONAL ±		ENG APPR.		
		ANGULAR: MACH ± BEND ±		MFG APPR.		
		TWO PLACE DECIMAL ±		Q.A.		
		THREE PLACE DECIMAL ±		COMMENTS:		
		INTERPRET GEOMETRIC TOLERANCING PER:				
		MATERIAL				
		FINISH				
NEXT ASSY	USED ON	APPLICATION		DO NOT SCALE DRAWING		