

## ASSEMBLY GUIDE

Before unpacking your scooter, you must read the User Manual, observe rider restrictions and read the returns policy and warranty overleaf.

Take care when unpacking your scooter, please keep all packaging until you are entirely satisfied with your purchase.

Follow the steps illustrated below to assemble your scooter and prepare for your first ride. Some parts may vary from the diagram, however the assembly process remains the same. You will need a pump with a standard 'Schrader' valve when inflating the tyres.

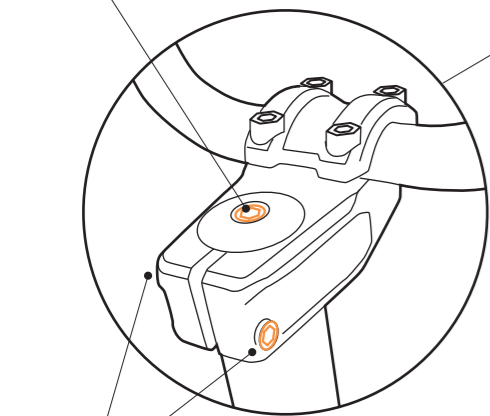
Please observe our safety recommendations in the User Manual before your first ride.

**Please note, a part of the scooter may have been disassembled by our packing team in order to fit accessories in the box (e.g. mudguards, kick-stand) you will find the tools required to reassemble these parts enclosed.**

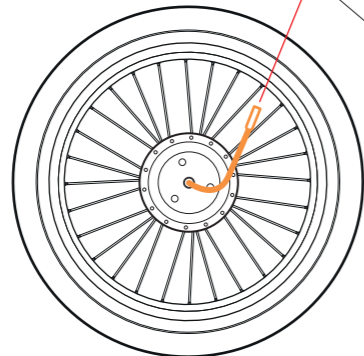
We have prepared video tutorials for you to watch on our YouTube channel. Go to [swiftyscooters.com/assembly-guides](https://www.swiftyscooters.com/assembly-guides) to find the direct links to our videos. If you have any problems, please contact your local dealer, or contact us:

SwiftlyHQ Tel: +44 (0)161 848 8695  
Email: [support@swiftyscooters.com](mailto:support@swiftyscooters.com)

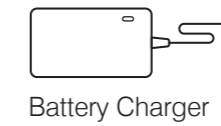
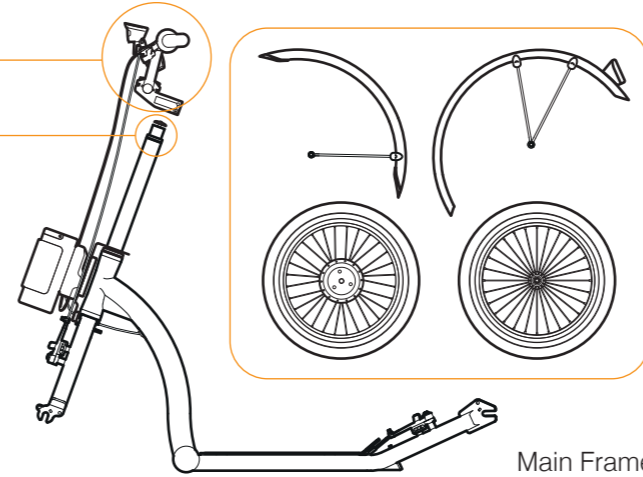
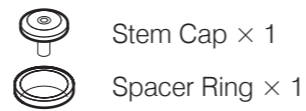
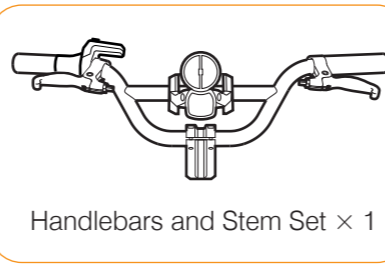
- 1 Assemble the handlebars to the frame as shown in the diagram on the right.
- 2 Tighten stem cap to secure bearings. Do not overtighten, make sure steering is free to move.



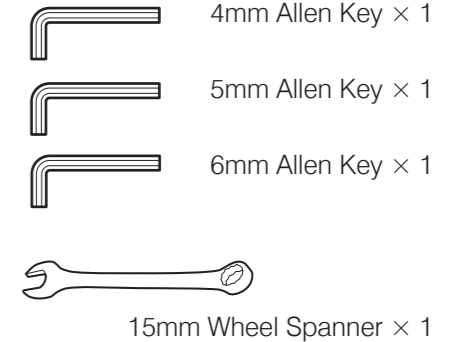
- 3 Tighten stem bolts, check steering is free to move.



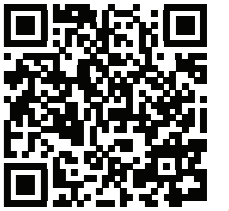
## PARTS CHECK LIST



Wheel Sets and Mudguards



Scan me for assembly and maintenance video guides!  
or go to [swiftyscooters.com/assembly-guides](https://www.swiftyscooters.com/assembly-guides)



- 4 Assemble the front and rear mudguards. Please refer to the mudguards assembly instruction.

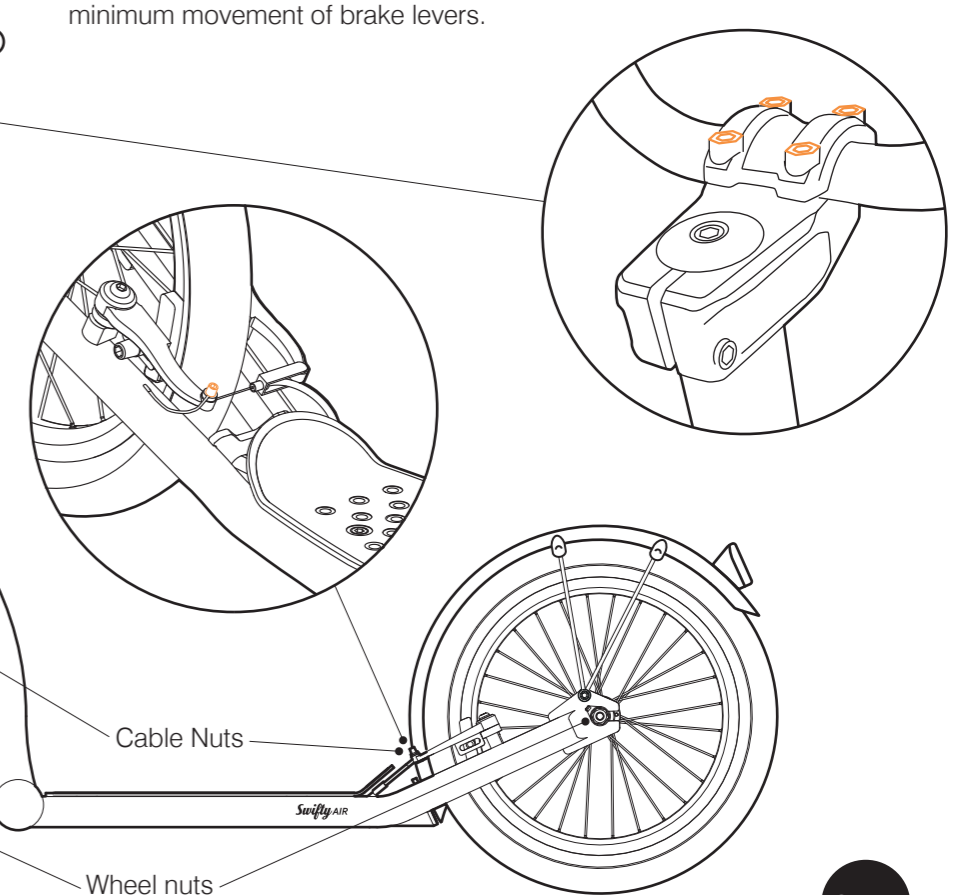
- 5 Fit front and rear wheels to the forks. It may be necessary to loosen the front and rear brake cable nuts and or brake blocks when inserting the wheel. Ensure wheel retaining washers are located in the slots then fully tighten the wheel nuts using the 15mm spanner.

Inflate tyres - you will need a pump with standard Schrader valve. See tyre for max. PSI. Recommended tyre pressure 60-80 PSI.

- 6 Push the motor cable connectors together tightly as shown

- 7 Care should be taken to ensure correct adjustment of the brakes by re-tightening the cable nuts as shown below. To maximise braking efficiency, the brakes on your scooter should operate with minimum movement of brake levers.

- 8 Adjust the angle of the handlebars by loosening the four front stem bolts. Tighten fully before riding.



Let the good times ride and roll!  
Share your story and follow us @swiftyscooters

## RETURNS and REFUNDS

Thank you for purchasing a SwiftyAIR-e. If you are not entirely satisfied with your purchase, we're here to help. If you made your purchase from one of our registered dealers, please contact them directly. If you bought from [swiftyscooters.com](http://swiftyscooters.com), please read our returns policy below:

### RETURNS

We offer a no-hassle 30 day returns policy to any unused, full-priced items, with all original packaging. For sale items, you have 14 days to contact us.

You will also need to have the receipt or proof of purchase.

If you are not entirely satisfied with your scooter after riding it, you may still return your scooter to us, however, we reserve the right to make a deduction for wear and tear, once we have received and inspected your scooter.

### HOW TO RETURN YOUR ITEM

The first thing to do is to contact us.

email: [support@swiftyscooters.com](mailto:support@swiftyscooters.com)  
or call SwiftyHQ: +44 (0)161 848 8695

We will then explain how to return your item (depending on location). If you are a UK customer, we will arrange for our courier to collect it, once you have packed it back into its original box.

### REFUNDS

Once we receive your item, we will inspect it and notify that we have received your returned item. We will immediately notify you of the status of your refund after inspection. If your return is approved, we will initiate a refund to your credit card (or original method of payment). You will receive the credit within a certain amount of days, depending on your card issuer's policies.

### SHIPPING

The cost of shipping the product back to Swifty Scooters may not be covered (dependent on location and reason for return). If you receive a refund, the cost of the return shipping will be deducted from your refund. If you are returning an item because of our mistake, you will receive a full refund.



Scan me for video guides of assembly and maintenance!

or go to [swiftyscooters.com/assembly-guides](http://swiftyscooters.com/assembly-guides)

## WARRANTY

Swifty Scooters is committed to producing the highest quality products in the industry and welcomes customer feedback that can assist us in achieving this goal. We warrant our products to their original owner with proof of purchase from authorised dealers against defects in manufacturing and materials.

The hub motor, battery and controller are covered for 1 year under warranty. Frame and forks have a warranty of 2 years for the original owner. If your scooter frame or forks fail due to manufacturing and materials we will repair or replace them free of charge. However, the cost of shipping the product or part back to and from Swifty Scooters may not be covered (dependent of location and reason of the return).

### THIS WARRANTY DOES NOT COVER

1. Normal wear and tear.
2. Improper assembly.
3. Improper maintenance and installation of incompatible parts and accessories.
4. Damage or failure due to accidents, misuse, abuse and neglect.

Any modification to the frame, fork or components voids this warranty entirely. This warranty is expressly limited to the repair or replacement of defective items, and said repair and replacements is the sole remedy of the warranty. Cost of shipping the product back to and from Swifty Scooters and any labour charges incurred may not be covered.

### WARRANTY PROCEDURES

1. Please contact us by email at [support@swiftyscooters.com](mailto:support@swiftyscooters.com) for a warranty claim form.
2. Please fill out the Swifty Scooters warranty claim form in full. Photos of the damage / issue and proof of purchase must be attached.
3. Return the form and attachments to us via email ([support@swiftyscooters.com](mailto:support@swiftyscooters.com)).
4. Swifty Scooters will determine the defects based on the information provided, then we will require you to send back the original items.
5. After we examine the part and determine that your product is defective or faulty, your product will be replaced free of charge. Shipping costs may apply.

### VALIDATE YOUR WARRANTY

You can register your warranty by scanning the QR code below or by visiting [www.swiftyscooters.com/warranty](http://www.swiftyscooters.com/warranty) and completing our quick online warranty form.



Scan me!

or go to [swiftyscooters.com/warranty](http://swiftyscooters.com/warranty) for the online form





## POWER IT UP

Your scooter should now be ready to go. You can now take the following steps to give electric power to your Swifty.

These are the basic steps to get you started, please read the Swifty e-scooter manual in full before you start your first journey.

If you have any problems, please contact your local dealer, or contact us:

SwiftyHQ Tel: +44 (0)161 848 8695  
Email: support@swiftyscooters.com



- 1** Your e-scooter battery will arrive partially charged. We recommend charging before your first ride



- 2** You can charge your battery whether it's on or off your scooter. To take your battery off the scooter, you'll first need to unlock the battery with the keys provided



### WARNING!

You are supplied with 2 keys to secure the battery. It is advisable to separate the keys and keep the spare in a safe place.

- 3** After the battery is unlocked, slide it off the scooter with ease.



- 4** How to Charge:

1. Plug your charger into a mains socket, the LED light on the charger will illuminate GREEN
2. Peel open the yellow cover on the side of the battery. Connect the charger to the battery using the lead provided, the LED light on the charger will then change to RED which indicates its charging.
3. A full charge takes up to 6 hours. To prolong the life of the battery, charge it after every trip.
4. Once fully charged the LED light on the charger will switch back to GREEN, indicating the battery is fully charged.



## TIME TO RIDE


If you have any problems, please contact your local dealer, or contact us:


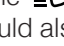
SwiftlyHQ Tel: +44 (0)161 848 8695  
Email: support@swiftyscooters.com



- 1 Turn the battery on by pressing the power button for 1 second.



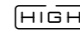


- 2 Long press the middle button  next to the throttle LCD display for 2 seconds - the display interface should light up.

- 3 To turn on your headlight, short press the middle button , the  icon should appear on the top right of the display interface. You should also turn on your rear light manually to increase your visibility.



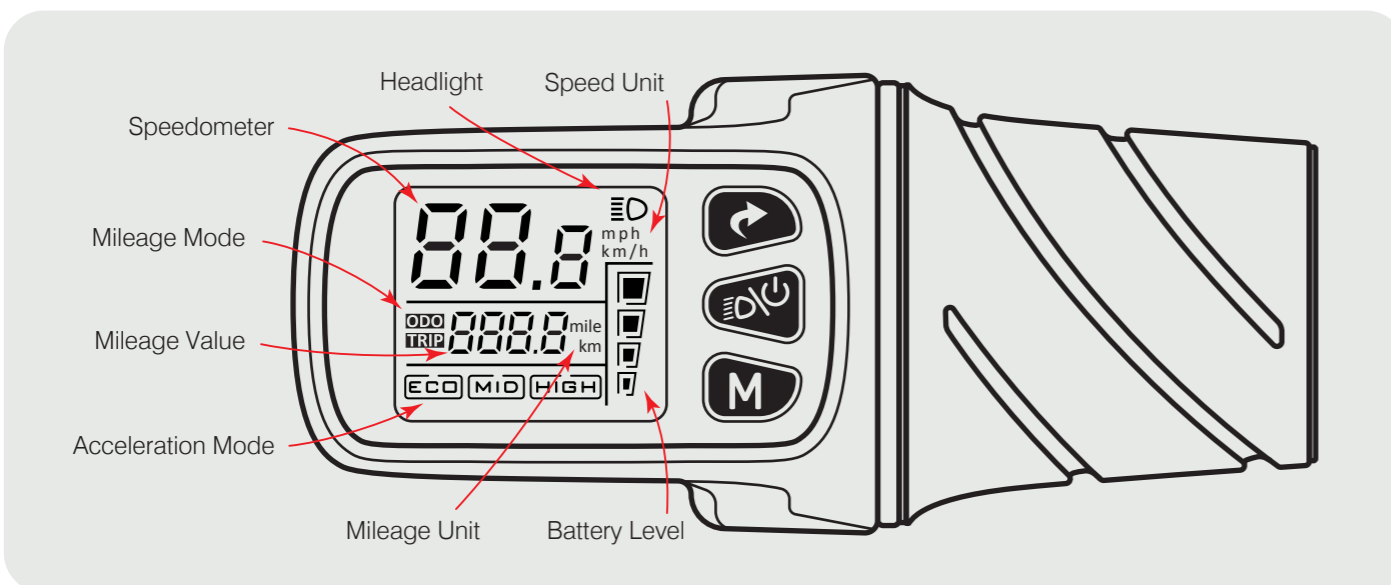
- 4 Press the **M** button to switch among the 4 acceleration modes.

Blank Kick scooter mode, motor will not start  
 Slow acceleration, for inexperienced new riders  
 Medium acceleration, for a balanced riding experience  
 Max acceleration, for maximum torque and scooting uphill

- 5 To set off, take the following steps:

1. Place one foot on the footplate and push off with your stronger leg. Balance both feet on the scooter when you have enough momentum.
2. After you've pushed off, twist the grip throttle towards you gently to start the motor.
3. Hold the throttle halfway to maintain the desired speed.
4. Twist the throttle all the way to get the maximum speed of 25 km/h or 15.5 mph.

## DISPLAY INTERFACE DIAGRAM:



- 6 To stop - Always release throttle before applying brakes.



In case of emergency, bend knees, cut power, be sure to use both brakes together.



Scan me for video guides of assembly and maintenance!

or go to [swiftyscooters.com/assembly-guides](http://swiftyscooters.com/assembly-guides)



# Swiftly KICKSTAND

Please read these instructions carefully. If you have any queries relating to the safe assembly of your scooter kickstand do not hesitate to contact us.

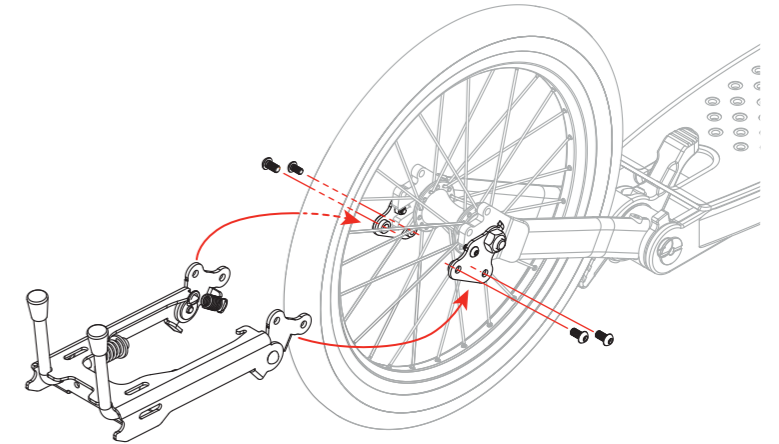
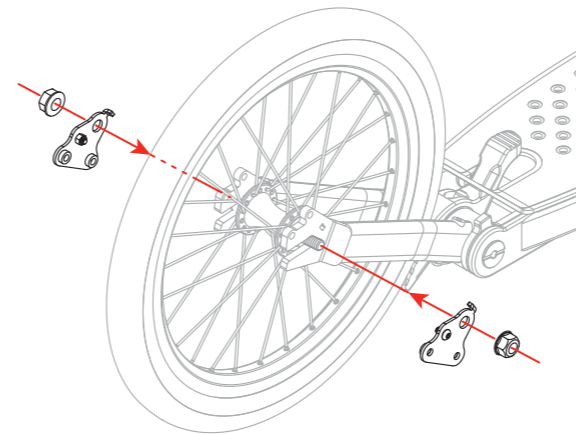
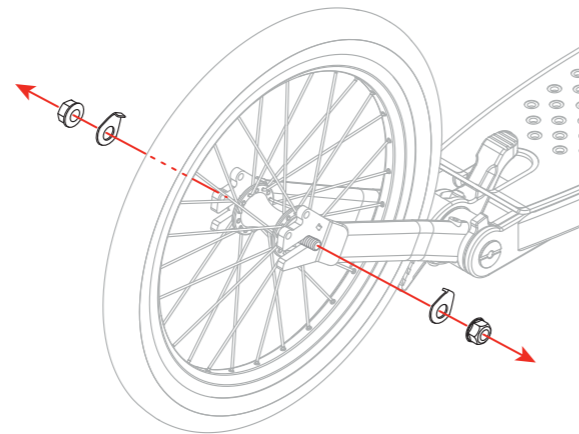
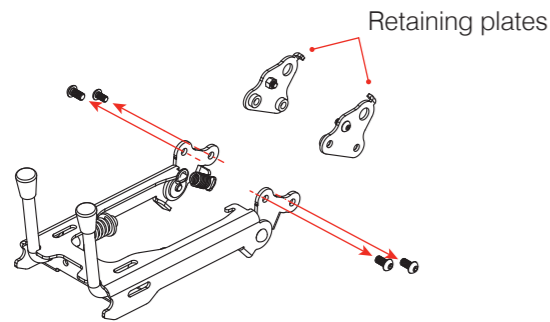
SwiftlyHQ tel: +44 (0)161 848 8695

Email: support@swiftyscooters.com

## TOOLS NEEDED FOR ASSEMBLY

You will need a 4mm Allen key. You will also need a spanner for the wheel nuts, the wheel tool that comes with your scooter is ideal.

## ASSEMBLY GUIDE



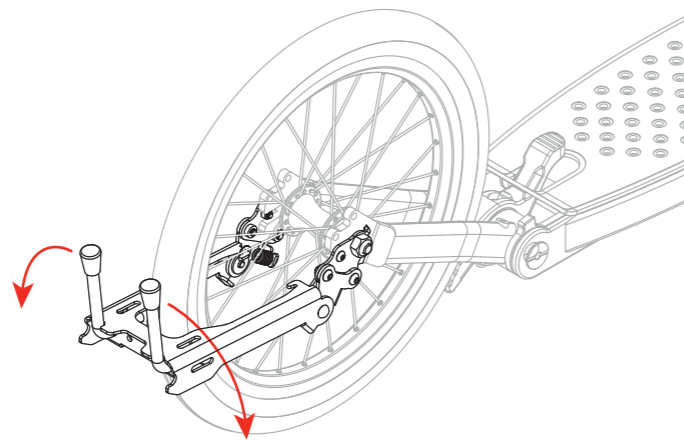
**1** Unscrew the four bolts to remove the two retaining plates using a 4mm Allen key. N.B. To remove the kickstand from the scooter, always start by unscrewing these bolts first.

**2** Remove wheel nuts and retaining washers. Set aside the retaining washers and keep in a safe place.

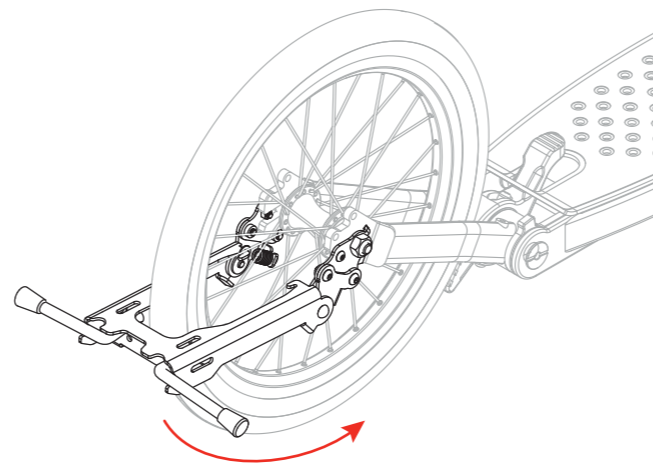
**3** Attach the two retaining plates to the axle and secure them in place using the wheel nut. Please note the orientation as shown above.

**4** Secure the kickstand to the retaining plates using the four bolts as shown. Tighten using a 4mm Allen key.

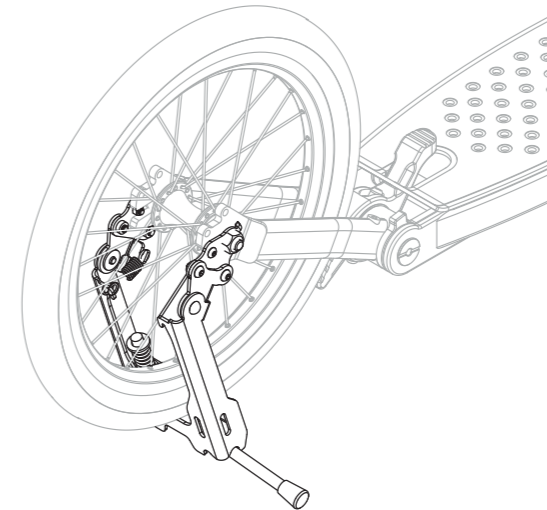
## HOW TO USE



**1** Flip both legs out to the side.



**2** Using your toe to pivot the kickstand down to the ground, roll the scooter backwards until the kickstand snaps into place underneath the rear wheel.



**3** The final standing position, the rear wheel is lifted, with the stand underneath.



or go to  
[swiftyscooters.com/assembly-guides](https://swiftyscooters.com/assembly-guides)  
for more information online



Let the good times ride and roll!  
Share your story and follow us @swiftyscooters

