

Swift[®] ONE MK4

HOW TO UNFOLD

Before unpacking your scooter, please observe rider restrictions and read the returns policy and warranty overleaf.

Take care when unpacking your scooter, please keep all packaging until you are entirely satisfied with your purchase.

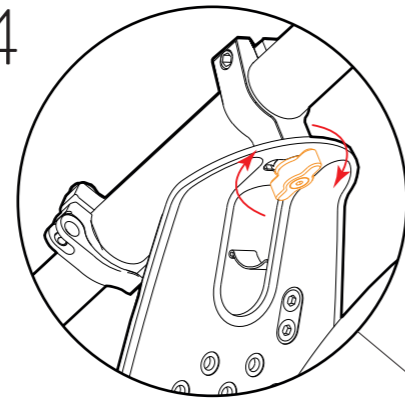
Follow the steps illustrated below to unfold your scooter and prepare for your first ride. Some parts may vary from the diagram, however the (un)folding process remains the same. You will need a pump with a standard 'Schrader' valve when inflating the tyres.

Please observe our safety recommendations overleaf before your first ride.

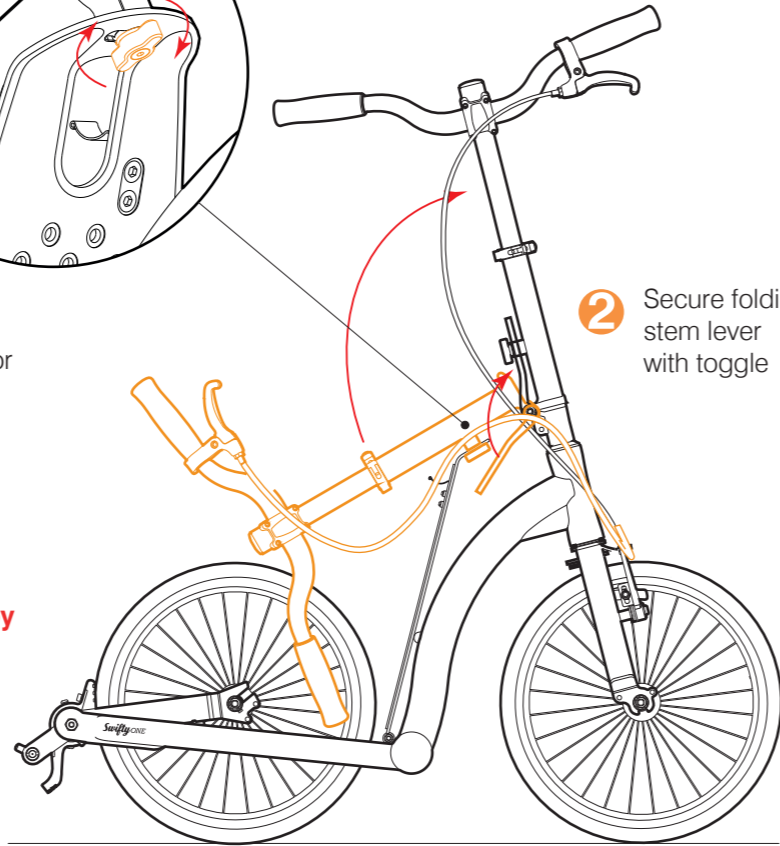
Please note, a part of the scooter may have been disassembled by our packing team in order to fit accessories in the box (e.g. mudguards, kick-stand) you will find the tools required to reassemble these parts enclosed.

We have prepared video tutorials for you to watch on our YouTube channel. Go to swiftyscooters.com/assembly-guides to find the direct links to our videos. If you have any problems, please contact your local dealer, or contact us:

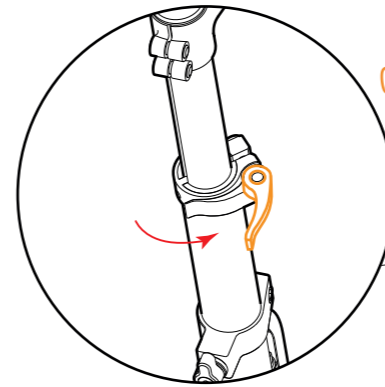
SwiftHQ Tel: +44 (0)161 848 8695
Email: support@swiftyscooters.com



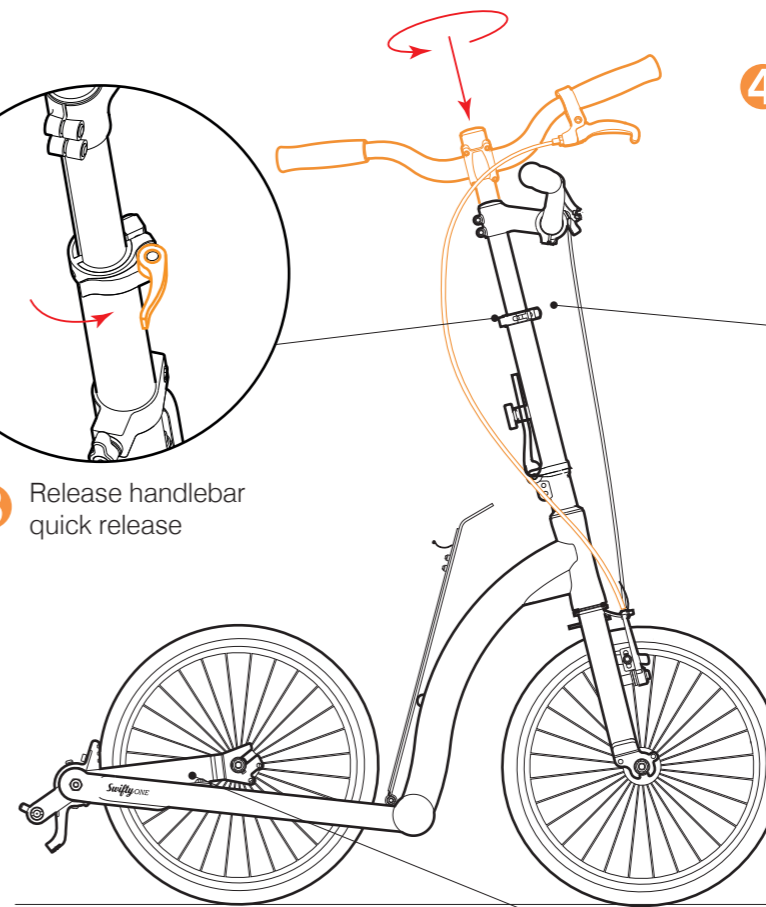
1 Turn footplate toggle, and lift folding stem



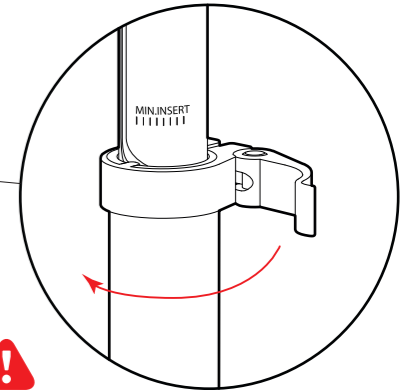
2 Secure folding stem lever with toggle



3 Release handlebar quick release

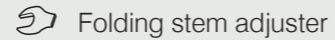
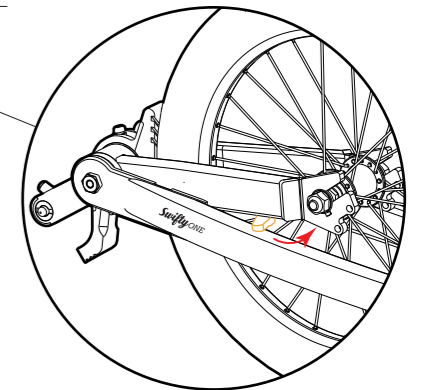


4 Rotate and lower handlebars, and tighten quick release

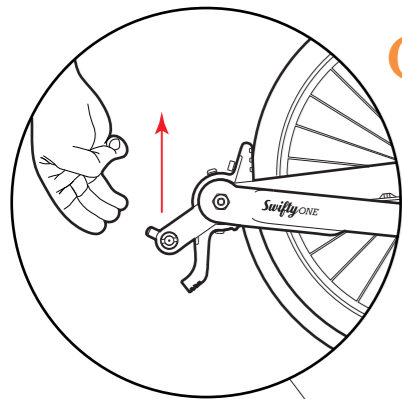


WARNING! Observe MIN.INSERT level markings for highest handlebar height, make sure the markings are not visible.

5 Flick in tab on rear fork to unfold



Wheel spanner (15mm Standard, 17mm Marine)

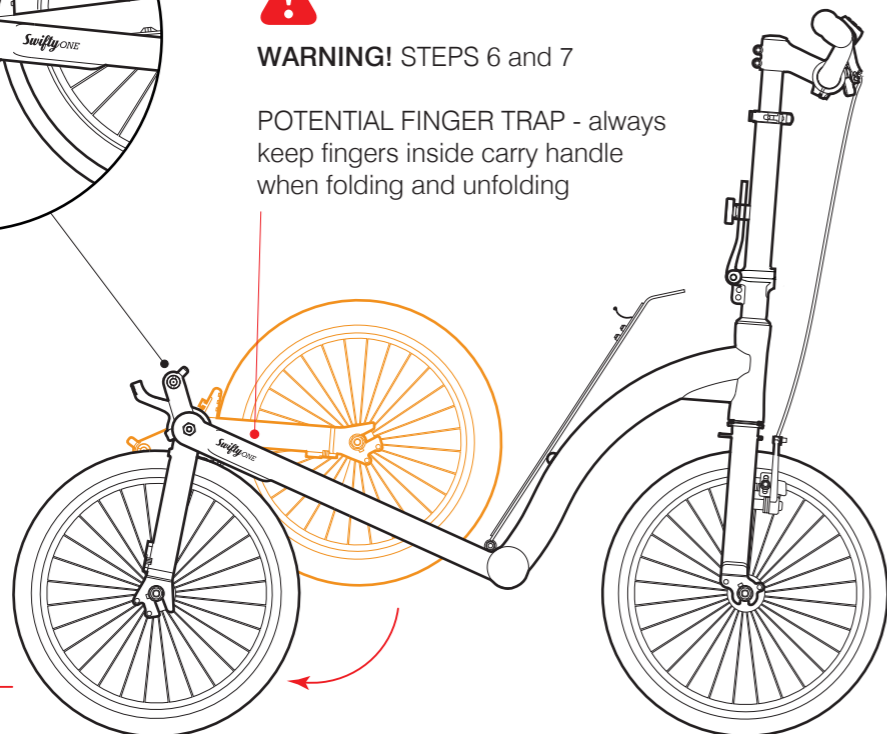


6 Hold carry handle and lift up to rotate wheel through

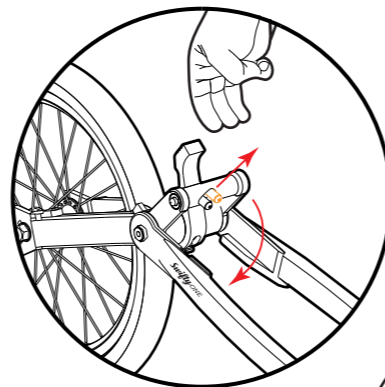


WARNING! STEPS 6 and 7

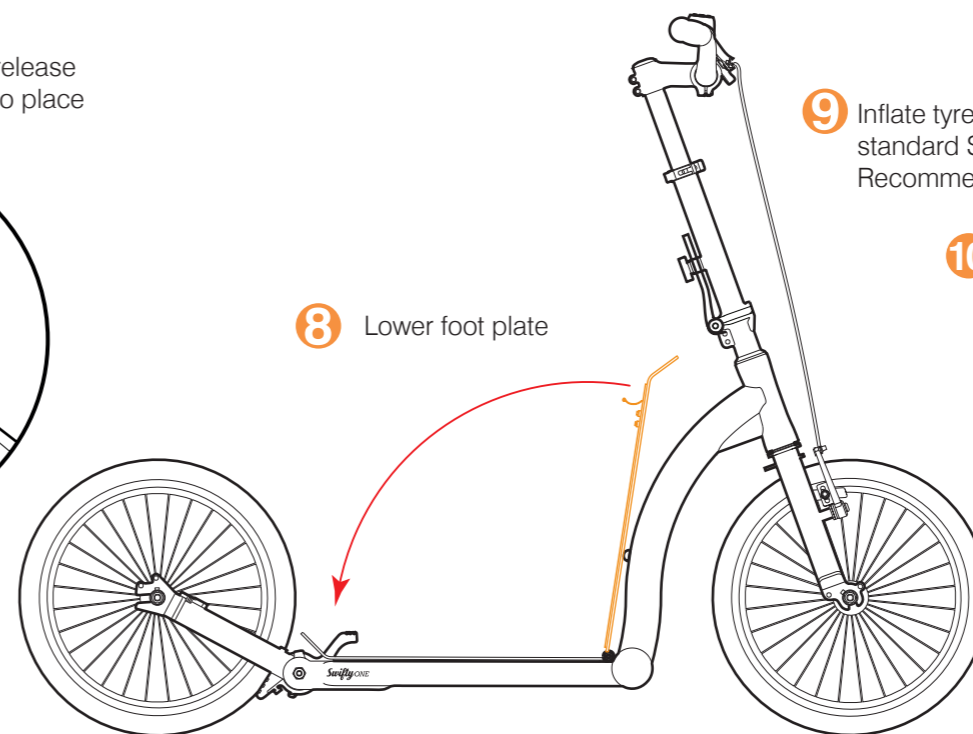
POTENTIAL FINGER TRAP - always keep fingers inside carry handle when folding and unfolding



7 Pull back pin and release to lock rear fork into place



8 Lower foot plate



9 Inflate tyres - you will need a pump with standard Schrader valve. See tyre for max. PSI. Recommended tyre pressure 60-80 PSI.

10 Perform a basic safety check before each ride as described overleaf. Check brakes are working. Check bolts, wheel nuts and quick release levers are tightened fully.

You may wish to adjust the position of the handlebars or brake levers, using the tool provided.

SwiftlyONE MK4

RESTRICTIONS

RIDER RESTRICTIONS

SwiftlyONE is an adult scooter and should not be ridden by children aged under 14 years. We recommend the rider should be at least 120cm tall.

WEIGHT RESTRICTIONS

SwiftlyONE is tested to 150kg load weight. We strongly recommend that riders above this weight do not ride SwiftlyONE as it will invalidate the product warranty and could result in serious injury.

SCOOTER ENVIRONMENT

SwiftlyONE is designed for an urban environment and can be ridden on any hard surface. SwiftlyONE is not suitable for downhill mountain bike trails, or jumps or stunts due to the foldable features.

SERVICING

To ensure safe and proper performance of Swiftly One, regular maintenance checks should be performed on wheel-bearings, brake-pads and tyre wear. For more information on servicing contact Swiftly HQ.

WARNING

As with all mechanical components, your scooter is subject to wear and high-stress fatigue. Different materials and components may react to stress fatigue in different ways. If the life of a component has exceeded, it may suddenly fail possibly causing injury to the rider. If you see any form of crack or change in the highly stressed areas, this indicates that the life of the component has been reached and it should be replaced. For details on replacement parts visit www.swiftyscooters.com

SAFETY STANDARDS

Your SwiftlyONE is tested to BS EN 14619:2019



Let the good times ride and roll!
Share your story and follow us @swiftyscooters

RECOMMENDATIONS

PREPARATION FOR RIDING

Before riding, please check over your SwiftlyONE. Make sure that the brakes are working and all quick-release levers are fully closed tight. Check that you are satisfied with the tyre pressure. Adjust the handlebar height make sure the stem tube is inserted beyond the minimum insert point. These markings are visible on the stem tube. If in doubt, please consult a qualified bicycle mechanic for advice.

BRAKING AND EMERGENCY STOPPING

Before riding, make sure the front and rear brakes are working and free from obstruction and debris. Test the brakes before beginning your journey. If braking does not occur, do not ride until the brakes are fixed. If you have to stop suddenly we recommend that you bend your knees to lower your centre of gravity, brace your arms, whilst braking with both front and rear brakes.

RIDER SAFETY

We recommend that suitable footwear, a cycle helmet, hand/wrist protection and knee/elbow pads should be worn at all times. Do not ride the scooter in the dark. If riding at night, we recommend using front and rear lights/reflectors and the use of high-visibility clothing.

RESPONSIBLE RIDING

SwiftlyONE should be ridden responsibly at all times and we ask our customers to check their local legal requirements for kick scooters as road, cycle lane and pavement legislation can vary from region to region. Please respect other road users and remember that pedestrians have right of way on the pavements and in pedestrianised areas.

SCOOTER USE

SwiftlyONE is not suitable for off-road use or jumps or stunts. Riders should not exceed the recommended load weight of 150kg and should be aged 14yrs or over. The misuse of SwiftlyONE will invalidate your warranty and could result in serious injury.

MODIFICATIONS

SwiftlyONE should not be modified or altered in any way with non-Swifty Scooters approved parts. The use of non-approved parts will invalidate your warranty and could result in serious injury.

SERVICING

To ensure safe and proper performance of Swiftly One, regular maintenance checks should be performed on wheel-bearings, brake-pads and tyre wear. For more information on servicing contact Swiftly HQ.

RETURNS and REFUNDS

Thank you for purchasing a SwiftlyONE. If you are not entirely satisfied with your purchase, we're here to help. If you made your purchase from one of our registered dealers, please contact them directly. If you bought from swiftyscooters.com, please read our returns policy below:

RETURNS

We offer a no-hassle 30 day returns policy to any unused, full-priced items, with all original packaging. For sale items, you have 14 days to contact us.

You will also need to have the receipt or proof of purchase.

If you are not entirely satisfied with your scooter after riding it, you may still return your scooter to us, however, we reserve the right to make a deduction for wear and tear, once we have received and inspected your scooter.

HOW TO RETURN YOUR ITEM

The first thing to do is to contact us.

email: support@swiftyscooters.com
or call SwiftlyHQ: +44 (0)161 848 8695

We will then explain how to return your item (depending on location). If you are a UK customer, we will arrange for our courier to collect it, once you have packed it back into its original box.

REFUNDS

Once we receive your item, we will inspect it and notify that we have received your returned item. We will immediately notify you of the status of your refund after inspection. If your return is approved, we will initiate a refund to your credit card (or original method of payment). You will receive the credit within a certain amount of days, depending on your card issuer's policies.

SHIPPING

The cost of shipping the product back to Swiftly Scooters may not be covered (dependent on location and reason for return). If you receive a refund, the cost of the return shipping will be deducted from your refund. If you are returning an item because of our mistake, you will receive a full refund.



Scan me for video guides of assembly and maintenance!

or go to swiftyscooters.com/assembly-guides

WARRANTY

Swiftly Scooters is committed to producing the highest quality products in the industry and welcomes customer feedback that can assist us in achieving this goal. We warrant our products to their original owner with proof of purchase from authorised dealers against defects in manufacturing and materials.

The hub motor, battery and controller are covered for 1 year under warranty. Frame and forks have a warranty of 5 years for the original owner. If your scooter frame or forks fail due to manufacturing and materials we will repair or replace them free of charge. However, the cost of shipping the product or part back to and from Swiftly Scooters may not be covered (dependent of location and reason of the return).

THIS WARRANTY DOES NOT COVER

1. Normal wear and tear.
2. Improper assembly.
3. Improper maintenance and installation of incompatible parts and accessories.
4. Damage or failure due to accidents, misuse, abuse and neglect.

Any modification to the frame, fork or components voids this warranty entirely. This warranty is expressly limited to the repair or replacement of defective items, and said repair and replacements is the sole remedy of the warranty. Cost of shipping the product back to and from Swiftly Scooters and any labour charges incurred may not be covered.

WARRANTY PROCEDURES

1. Please contact us by email at support@swiftyscooters.com for a warranty claim form.
2. Please fill out the Swiftly Scooters warranty claim form in full. Photos of the damage / issue and proof of purchase must be attached.
3. Return the form and attachments to us via email (support@swiftyscooters.com).
4. Swiftly Scooters will determine the defects based on the information provided, then we will require you to send back the original items.
5. After we examine the part and determine that your product is defective or faulty, your product will be replaced free of charge. Shipping costs may apply.

VALIDATE YOUR WARRANTY

You can register your warranty by scanning the QR code below or by visiting www.swiftyscooters.com/warranty and completing our quick online warranty form.



Scan me!

or go to swiftyscooters.com/warranty for the online form