

Your stand is compatible with the 100mm hub of a: SwiftlyONE MK3, SwiftlyZERO, and SwiftlyAIR.  
Rest the front wheel on the stand, as shown on the right.

## ASSEMBLY GUIDE

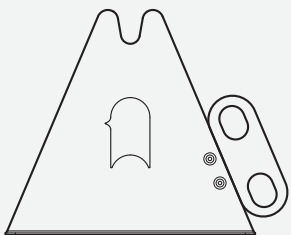
Please read these instructions carefully. If you have any queries relating to the safe assembly of your scooter stand, please do not hesitate to contact us.

## TOOL NOT INCLUDED

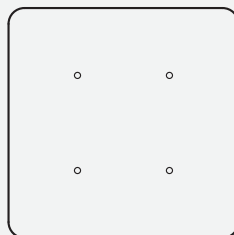
You can use the 4mm Allen key that came with the scooter.

## CONTENTS CHECKLIST

2 × Steel Sides



1 × Wooden Base



4 × Hex Bolts

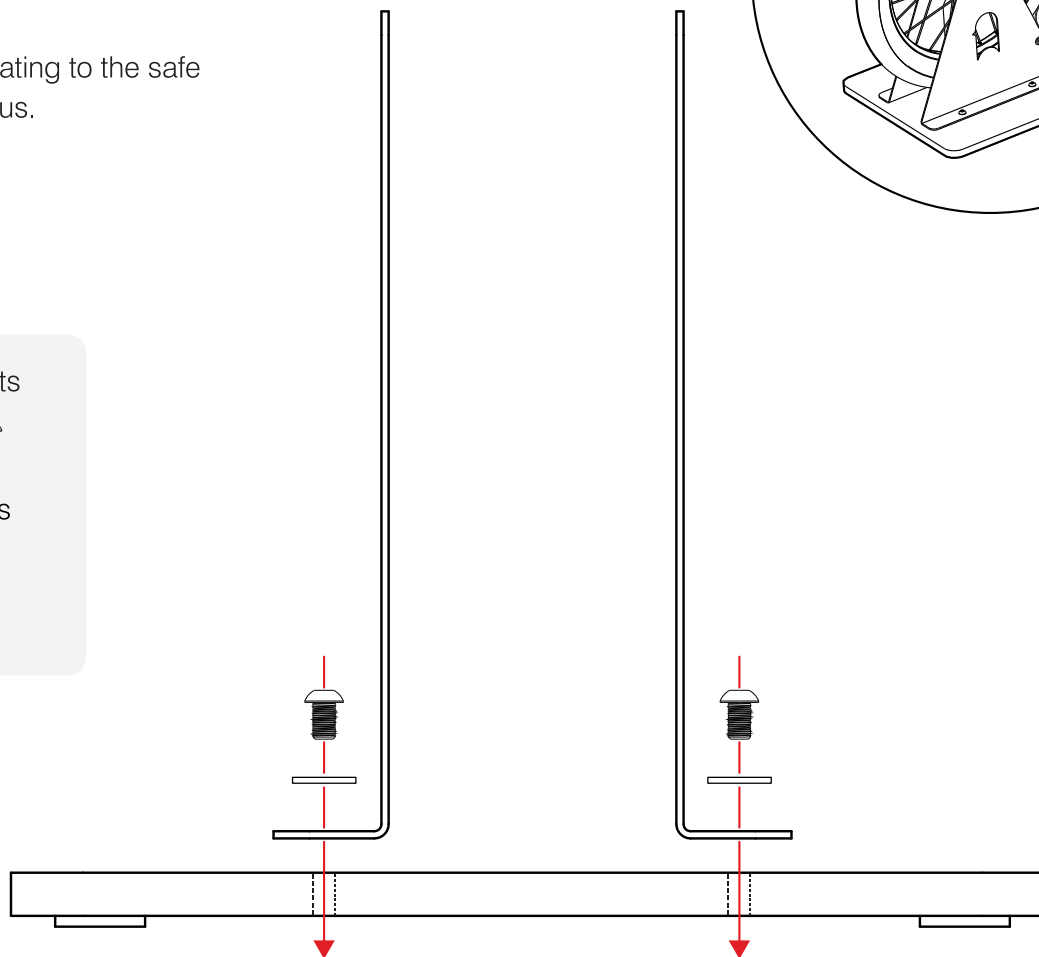
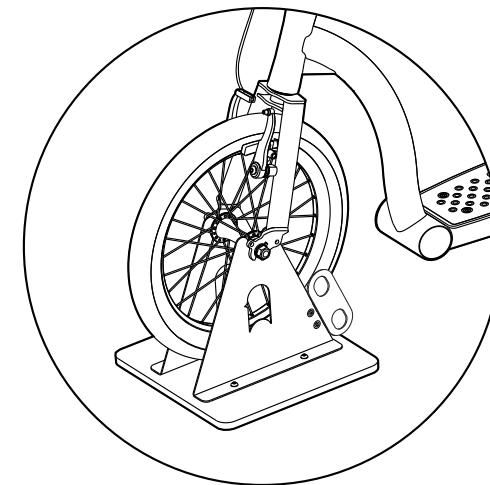


4 × Washers



## STEPS:

1. Line up one steel side with the corresponding holes
2. Carefully align washers then screw in hex bolts as shown
3. Tighten firmly using a 4mm Allen key
4. Repeat on the opposite side
5. Rest the front wheel on the stand



Let the good times ride and roll!  
Share your story and follow us @swiftyscooters