

SWIFTY SCOOTER STAND

Your stand is compatible with the 100mm hub of a: SwiftyONE MK3, SwiftyZERO, and SwiftyAIR
Use on front wheel as shown.

ASSEMBLY GUIDE

Please read these instructions carefully. If you have any queries relating to the safe assembly of your scooter stand, please do not hesitate to contact us.

TOOLS INCLUDED

4mm Allen Key

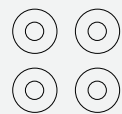
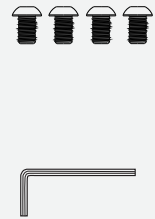
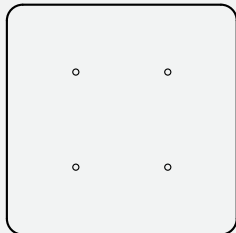
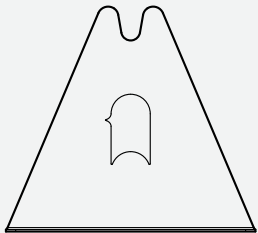
CONTENTS CHECK LIST

2 x Steel Sides

1 x Wooden Base

4 x Hex Bolts

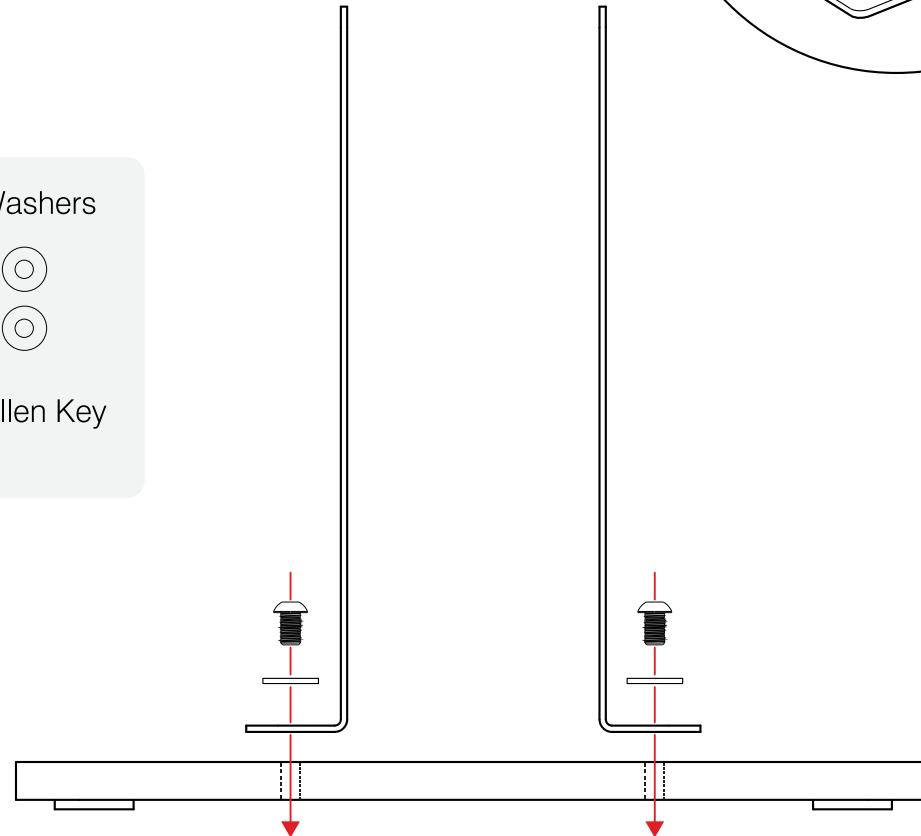
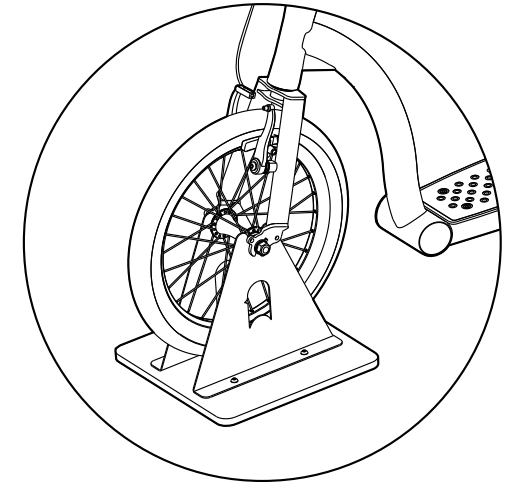
4 x Washers



1 x Allen Key

STEPS:

1. Line up one steel side with corresponding holes
2. Carefully align washer then screw in hex bolts as shown
3. Tighten firmly using a 4mm Allen key
4. Repeat on opposite side
5. Position your scooter as shown



Let the good times ride and roll!
Share your story and follow us @swiftyscooters

WWW.SWIFTYSCOOTERS.COM

