



PLYWOOD STAND

The Swift plywood stand allows you to store or display your scooter. Just rest the front axel onto the stand.

Compatible with SwiftONE MK3, SwiftZERO, SwiftAIR.
(16" 305mm wheel, 100mm hub)

ASSEMBLY GUIDE

Please read the instructions carefully. If you have any queries relating to the safe assembly of your plywood stand, please do not hesitate to contact us:

Email: info@swiftyscooters.com

Phone: 0044 (0)161 848 8695

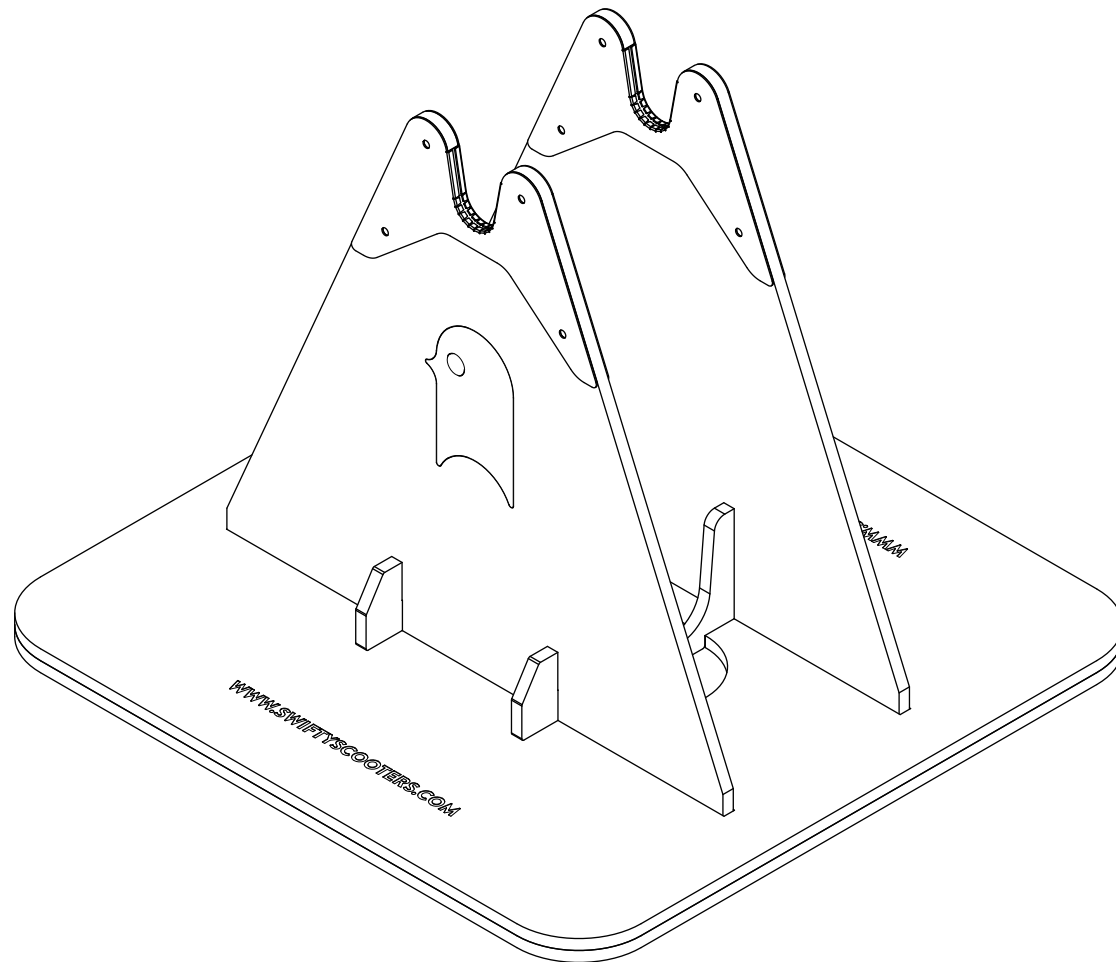
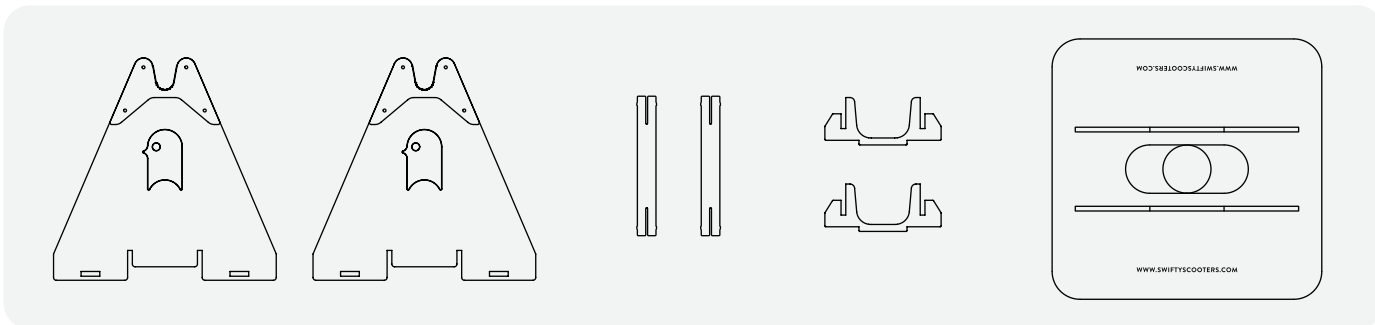
TOOLS NEEDED

None

PREPARATION

Take all contents out of the box and place on a flat surface.

CONTENTS CHECKLIST



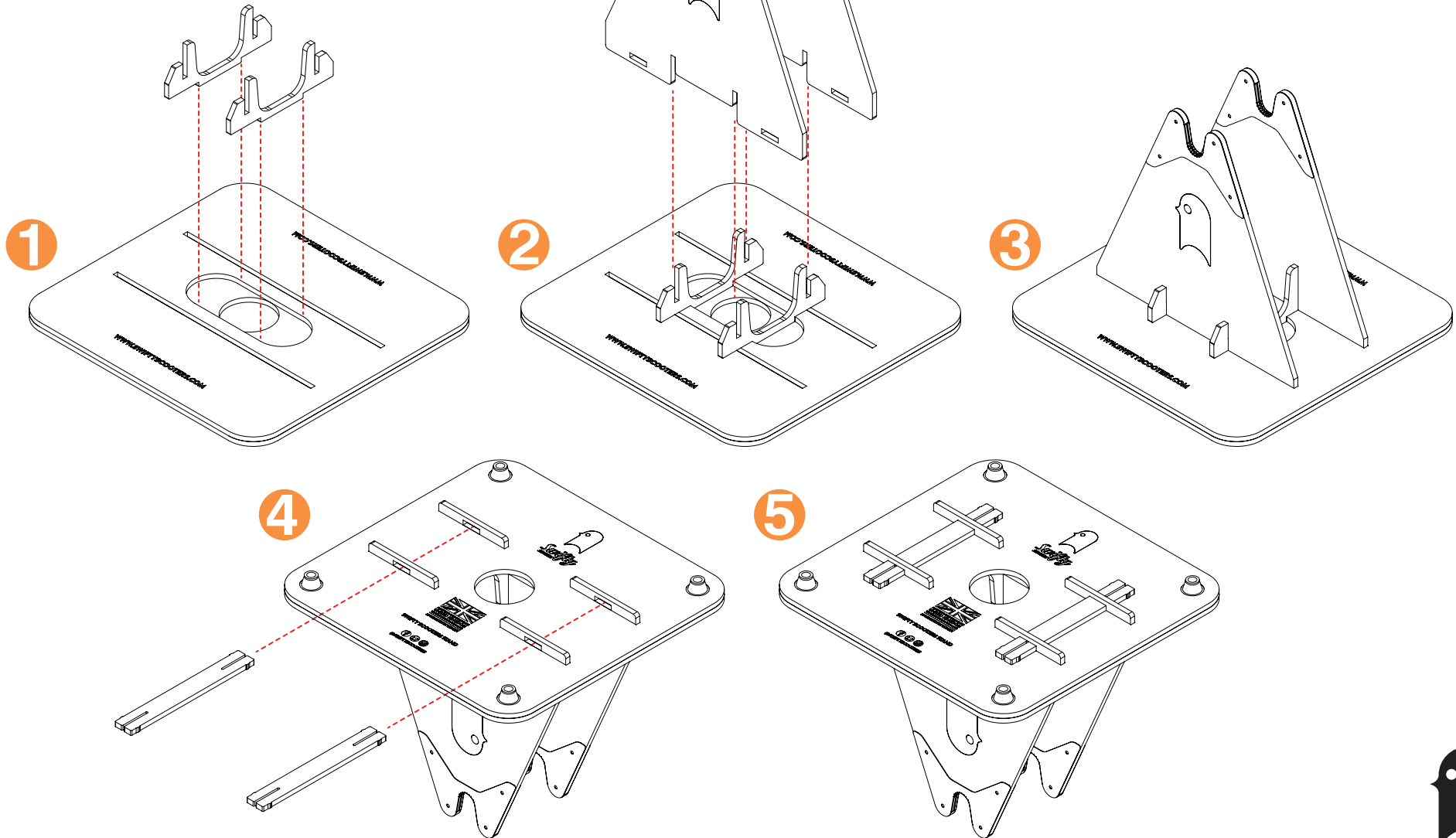
Let the good times ride and roll!
Share your story and follow us @swiftyscooters

HOW TO ASSEMBLE

Scan me!



or go to
swiftyscooters.com/assembly-guides
for more information online



Let the good times ride and roll!
Share your story and follow us @swiftyscooters

WWW.SWIFTYSCOOTERS.COM

