

SwiftlyZERO MUDGUARDS



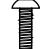





























Please read these instructions carefully. If you have any queries relating to the safe assembly of your scooter mudguards do not hesitate to contact us.

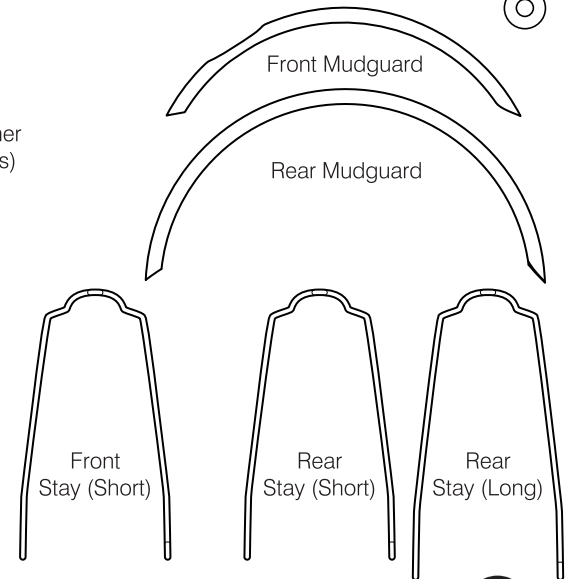
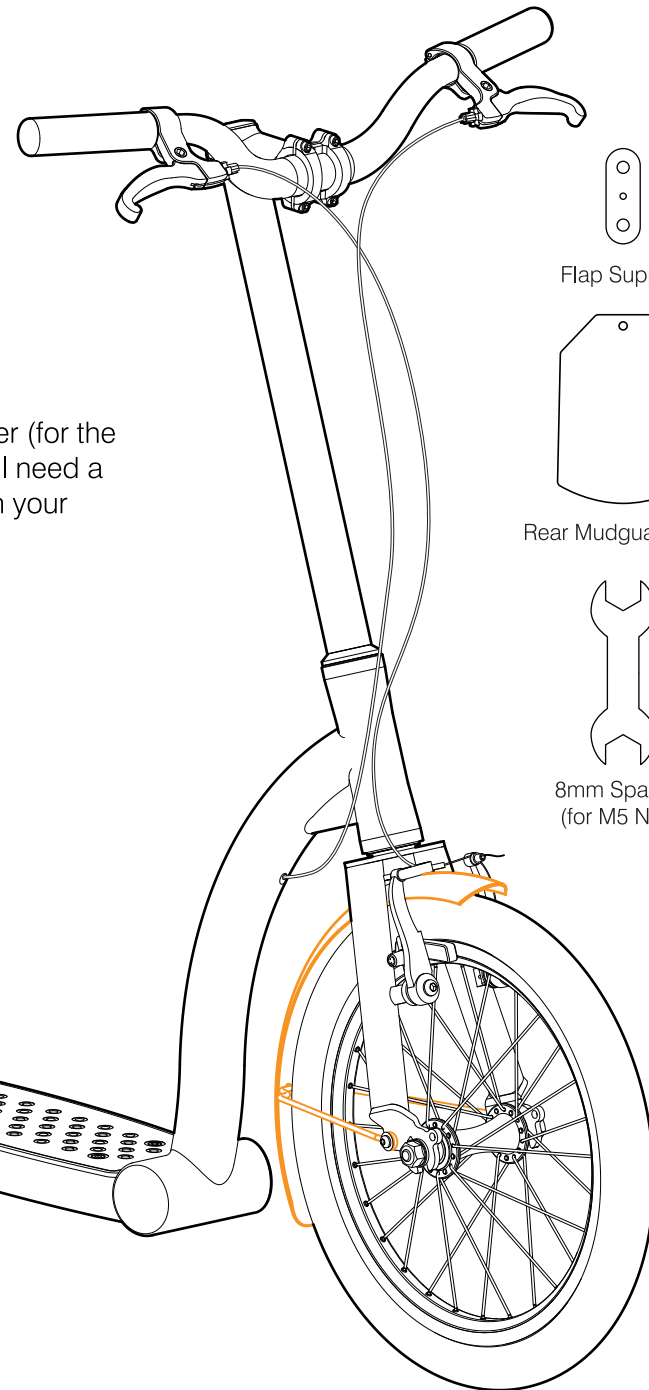
SwiftlyHQ tel: +44 (0)161 848 8695
Email: support@swiftyscooters.com

TOOLS NEEDED FOR ASSEMBLY

Tools to assemble the mudguards are provided. An 8mm spanner (for the nuts) and a 3mm Allen key (for the hex bolts) is provided. You will need a 15mm spanner for the wheel nuts, the wheel tool that comes with your scooter is ideal.

CONTENTS CHECK LIST

- 2 × 10mm Hex Bolts  
- 4 × 12mm Hex Bolts    
- 1 × 16mm Hex Bolt 
- 2 × 20mm Hex Bolts  
- 5 × M5 Nuts     
- 1 × M6 Nut (as spacer) 
- 3mm Allen Key 
- 1 × Split Washer 
- 11 × Flat Washers     
    
    



Scan me!



or go to swiftyscooters.com/assembly-guides for more information online



Let the good times ride and roll!
Share your story and follow us @swiftyscooters



ASSEMBLY GUIDE

Prepare your scooter by disconnecting the brakes and removing both wheels.

- 1** Assemble **Wire Stays**, rear **Mudguard Flap** and **Flap Support** to the correct **Mudguards** as shown in the diagram. Use **12mm and 16mm Bolts, Nuts** and **Flat Washers** as shown. Tighten fully.
- 2** Attach front mudguard and wire stay to the front fork. Use **12mm and 10mm Bolts**, and a **M6 Nut** (as spacer). Tighten fully.
- 3** Fit front wheel and tighten fully using 15mm spanner.
- 4** Secure rear mudguard to the end of frame with **12mm Bolt, Split Washer**, and **Flat Washer**. Tighten fully.
- 5** Secure rear wire stays to the rear dropout with **20mm Bolts, Nuts**, and **2 × Flat Washers**. Tighten fully.
- 6** Fit the rear wheel and tighten fully with spanner. Reconnect both brakes.

