

Swift^{ONE} HANGING BRACKET

Your hanging bracket is designed for the Swift^{ONE} and should be used only with the Swift^{ONE}.

ASSEMBLY GUIDE

Please read these instructions carefully. If you have any queries relating to the safe assembly of your scooter hanging bracket do not hesitate to contact us.

TOOLS NEEDED

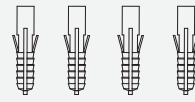
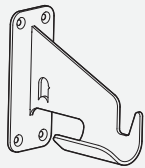
- Power drill - 7mm drill bit - Cross head screwdriver

CONTENTS CHECKLIST

1 × Bracket

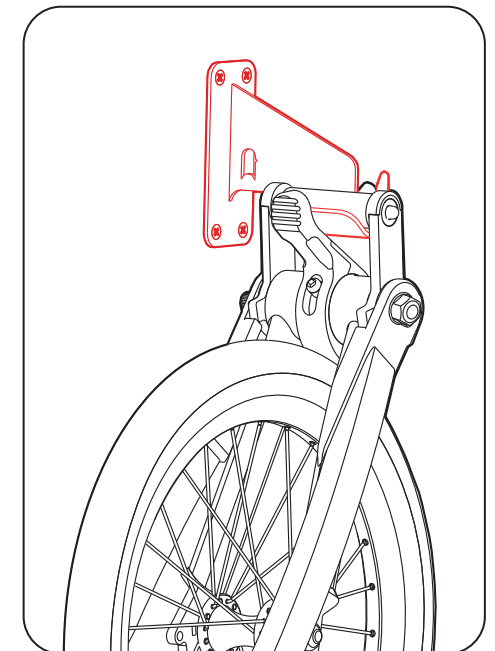
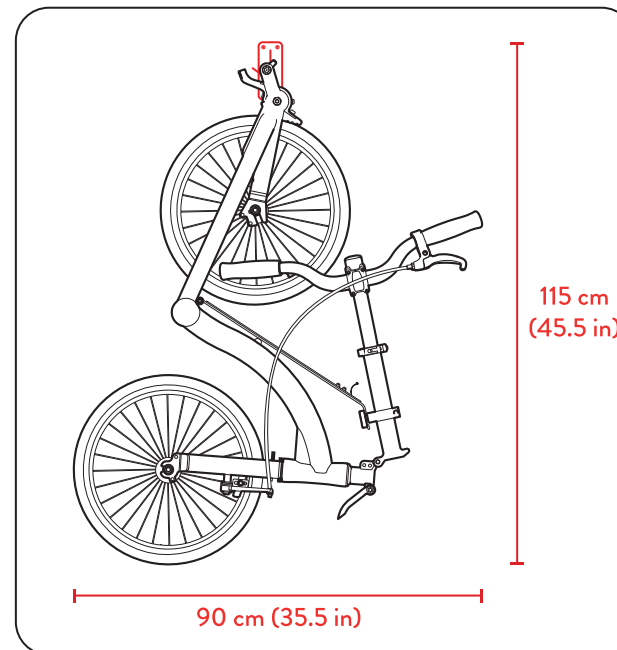
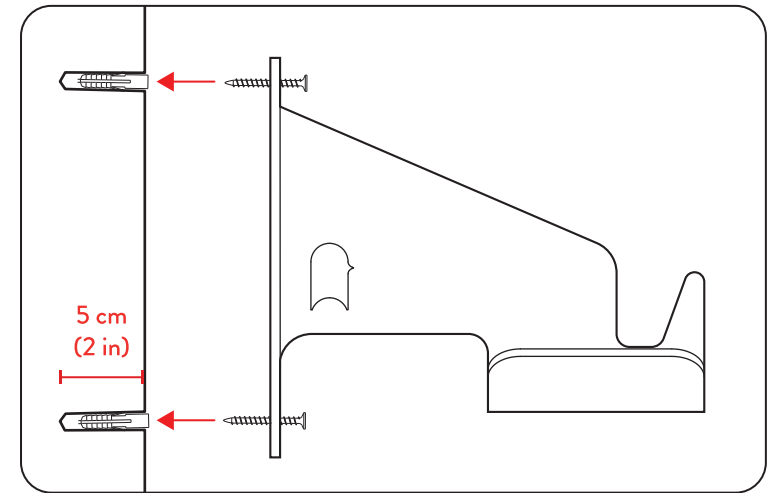
4 × Screws

4 × Wall Plugs



STEPS

- 1) Check the positioning of the bracket by holding your Swift^{ONE} up to a suitable wall (brick wall or similar)
- 2) Place the hanging bracket on the wall, and mark the 4 holes
- 3) Using a power drill with a 7 mm bit, drill 4 holes, 5 cm (2 in) deep
- 4) Insert wall plugs flush with the surface of the wall
- 5) Line up the bracket with wall plugs and screw in screws using crosshead screwdriver
- 6) Hang your Swift^{ONE}



Let the good times ride and roll!
Share your story and follow us @swiftyscooters

WWW.SWIFTYSCOOTERS.COM

