





COMBE

Asymmetry at its best. This unusual design can be hung right or left-handed. It comes in three heights with a choice of brushed or polished steel finishes. The decision is yours.

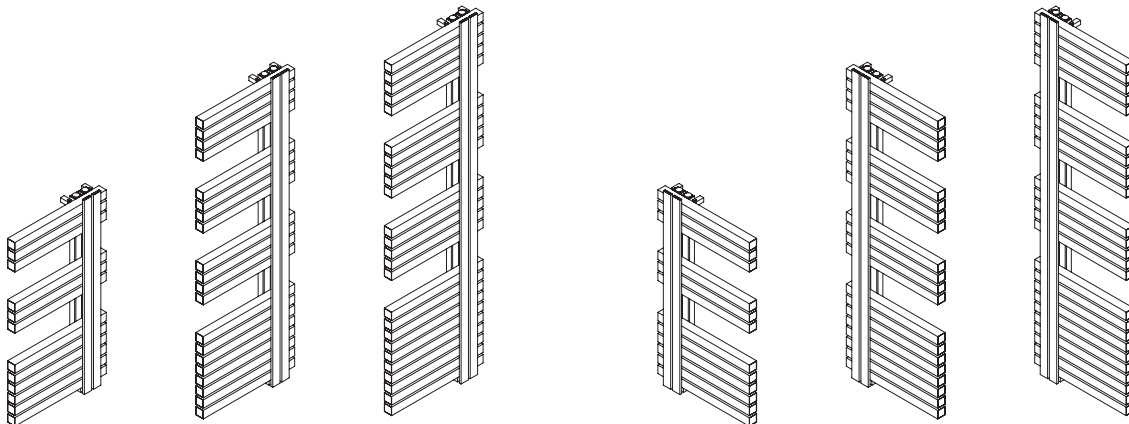
I Model shown on opposite page: COM15-L-S (brushed matt)

COMBE

SS MATERIAL
 10 WORKING PRESSURE
 120°C WORKING TEMP.
 O C OPEN/CLOSED SYSTEM
 V MOUNT POSITION
 20 YEARS WARRANTY

Product Name	Height (mm)	Length (mm)	Depth (mm)	Fuel Options (E/H/D)	Towel Gaps	Pipes or Sections	Heat Output (BTU/w) ΔT 50		E: Electric only Choice of Elements (Watts)		Finish S: Brushed Matt P: Polished
COM10-R	920	500	80	E/H/D	2	12	3197	936	400	600	S,P
COM10-L	920	500	80	E/H/D	2	12	3197	936	400	600	S,P
COM15-R	1460	500	80	E/H/D	3	20	5328	1560	600	900	S,P
COM15-L	1460	500	80	E/H/D	3	20	5328	1560	600	900	S,P
COM18-R	1710	500	80	E/H/D	4	25	6660	1950	600	900	S,P
COM18-L	1710	500	80	E/H/D	4	25	6660	1950	600	900	S,P

We recommend the 3 Bar Safety Valve for all ELECTRIC ONLY (E) products. Dual Fuel is possible either by use of "T" piece and radiator valve or by use of ONE850 or ONE851 (4 way valve)



L: Left-handed

R: Right-handed

Call us on 01908 271155 or visit www.aeon.uk.com