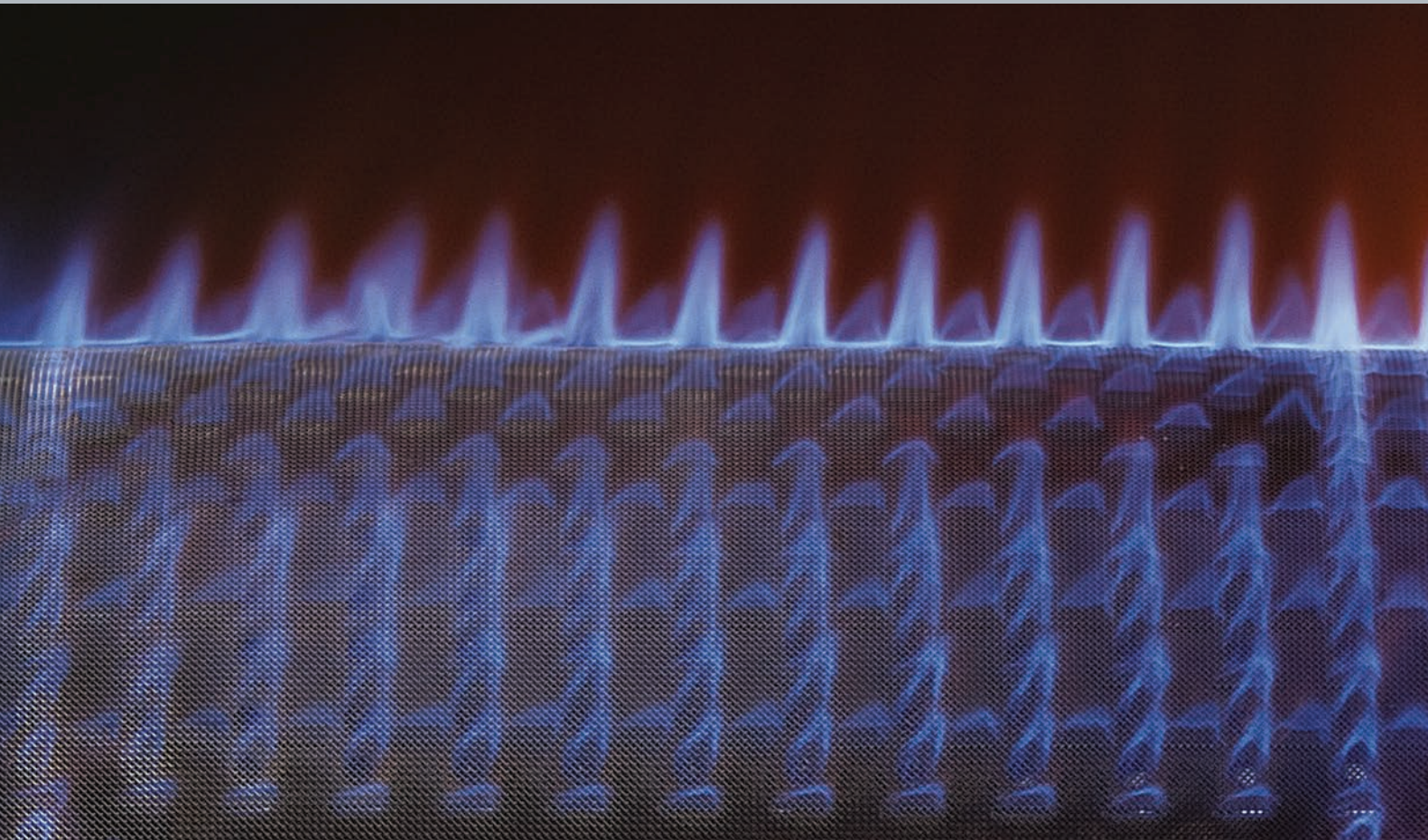


Domestic Gas Boiler Guide



Heating systems ◀

Industrial systems

Refrigeration systems

Clean, efficient, reliable - the economical gas heating system

When it comes to convenient heat generation with natural gas, Viessmann has various technologies to offer that can satisfy a wide range of demands: whether for new build or modernisation, a flat or a detached house, or even for major housing developments.

Condensing technology protects the climate and the environment

All our boilers meet the requirements demanded by efficient condensing technology, i.e. 98 percent or more of the energy spent is converted into heat. With such unbeatably high levels of efficiency, everyone who uses a gas condensing boiler is making a positive contribution to protecting the climate and the environment.

Innovative technology such as the new gas adsorption heating appliance reduces gas consumption by a further 25 percent compared to conventional condensing technology, saving fuel, reducing emissions still further and making heating with gas even more efficient.

Futureproof heating technology protects resources

Viessmann gas condensing boilers are already prepared for the future. Thanks to their combustion controller, these boilers adjust automatically to various gas types - including biogas mixtures. As a result, these heating systems meet the demand for sustainable heating technologies that are able to conserve natural resources.

Choosing gas central heating also means there's no need for a fuel store in the house. These compact appliances use space efficiently, leaving you with extra space in your utility room or cellar.

Solar technology uses free solar energy

Every new heating system, nowadays, should also be able to work with solar collectors to benefit from free solar energy. All Viessmann boilers are set up for this right now.

Viessmann system design guarantees that all components work together perfectly, right down to the convenient control unit - even via the internet using an app that does everything you could ask of it.

This brochure provides information on our current range of appliances and plenty of other details - from accessories and technical specifications to contact information.



Vitodens 200 series

from page 4

Gas fired condensing boilers with 5-inch colour touchscreen control, energy cockpit, up to 1:20 modulation range and minimum output 1.6 kW



Vitodens 100 series

from page 10

Gas fired condensing boilers with compact dimensions, low weight and quiet operation, the Vitodens 100 series will integrate effortlessly into any living space



Vitodens 050-W

from page 16

Gas fired condensing boiler offering excellent heating and DHW convenience with a particularly advantageous price/performance ratio



Installation accessories

from page 18

Information on cylinders, including the Viessmann 4-pipe system, flue options and controls



Viessmann Academy

from page 28

See our range of courses available and contact us to book a place



Contact us

from page 30

Useful contact details for all departments



Technical specification

from page 32

Detailed boiler technical specifications

Gas condensing
technology

Vitodens 242-F Solar DHW Storage
1.9 to 26 kW

2 year comprehensive
warranty as standard



VITODENS 242-F SOLAR DHW STORAGE

This storage combined floor standing condensing boiler is designed specifically for direct connection to a solar thermal system. Incorporating three technologies in one; gas condensing boiler, DHW cylinder and solar control package, for where space is at a premium

Take advantage of these benefits

- Gas condensing storage combi boiler with integral solar cylinder, solar coverage: > 50 %
- Easy to operate Vitotronic control unit with 5 inch colour touchscreen
- Control via app and internet (with optional Vitoconnect 100 WiFi adaptor)
- High heating and DHW convenience including solar integration
- MatriX cylinder burner with Lambda Pro Control combustion controller for permanently high efficiency and clean combustion
- With a floor area of just 0.4 m², this storage combi boiler takes up only a relatively small amount of space, so can fit into any recess.
- Combined PRV and condensate connection, for fast and simple installation
- Energy efficiency class: A
- Energy efficiency class, DHW heating: A

High DHW convenience

For particularly high DHW convenience, the gas condensing boiler is equipped with a dual mode enamelled DHW loading cylinder with 170 litres capacity. The water heated to the required

temperature is continually charged and therefore immediately available. Sensors ensure uniform temperature heating. In the event of higher DHW demand, the MatriX cylinder burner automatically starts and maintains the required water temperature.

Automatic combustion control reduces costs

All Viessmann gas condensing boilers feature the integral Lambda Pro Control Plus combustion controller. It automatically adapts to the quality of different gas types (natural gas E/L, LPG, biogas) and ensures consistently high energy efficiency. Lambda Pro Control Plus helps to keep maintenance costs down.

Convenient control via app

Controlling the heating centre is particularly convenient via app and the Vitoconnect 100 WiFi adaptor. This establishes the connection to the home router and enables access to the Vitodens 242-F via the internet from a smartphone or tablet computer. The ViCare app controls one heating circuit; for up to three heating circuits, use the Vitotrol Plus app.

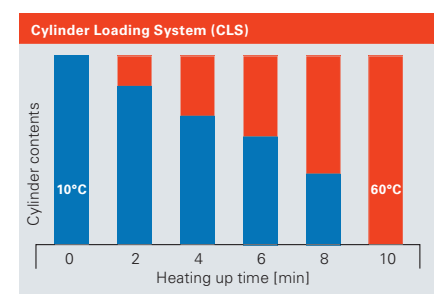
Extremely easy to maintain

By selecting this boiler, the user will also benefit from

low maintenance costs: All components are accessible from the front, no side clearance for servicing is required. When controlling the Vitodens 242-F via ViCare or the Vitotrol Plus app, the contractor can automatically be notified in the event of a fault.

Cylinder Loading System (CLS)

Most unvented cylinders use a heating coil to heat up the cylinder. The CLS technology replaces the coil with a plate heat exchanger. A DHW pump circulates the cold water from the bottom of the cylinder, through the plate heat exchanger and puts the hot water back to the top of the cylinder.



Boilers

Part No.	Description
B2UB060	Vitodens 242-F Heating Tower 19 kW
B2UB061	Vitodens 242-F Heating Tower 26 kW
7348552	Standard top connection set
7347985	Standard RH or LH side connection set

Controls

7141709	Vitotrol 100 room thermostat
7170149	Vitotrol 100 UTA programmable room thermostat 24h analogue
7408012	Room temperature sensor
Z008341	Vitotrol 200A remote control with LCD display for 1 heating circuit (only with Vitotronic 200)
Z011471	Vitotrol 200 RF pack 1 (includes RF control and receiver) (only in conjunction with weather compensation)
Z011219	Vitotrol 200 RF remote control with LCD display (only in conjunction with weather compensation)
7455213	Wireless outdoor sensor to be used with Vitotrol 200/300 receiver unit (ordered separately)
7456538	Repeater (optional signal booster) for Vitotrol 200 RF (only in conjunction with weather compensation)
Z011472	Wireless pack 2 (Vitotrol 200 RF, receiver unit, outdoor sensor and Vitotronic 200)
Z011413	Vitotrol 300/200 RF receiver unit (only in conjunction with weather compensation)
Z011410	Vitotrol 300 RF RC with table stand (only in conjunction with weather compensation)
Z011412	Vitotrol 300 RF RC with wall mount (only in conjunction with weather compensation)
Z011962	Vitotrol 300 RF RC with table stand and receiver (only in conjunction with weather compensation)
Z011963	Vitotrol 300 RF RC with wall mount and receiver (only in conjunction with weather compensation)
Z008342	Vitotrol 300A remote control with LCD display for up to 3 heating circuits (only with Vitotronic 200)
7438537	Room temperature sensor (optional for Vitotrol 300A only)
7459131	Vitotronic 100 HC1B const temp, no programmer
7570996	Vitotronic 100 HC2B const temp, with 7 day programmer
7661470	Vitotronic 200 HO2B weather compensated controller
7452091	Extension EA1 - wall mounted extension of up to 5 different in and output signals: 1 analogue 0-10 V, 3 digital inputs: 1 potential free output
7452092	Extension AM1 - function extensions wall mounted to control up to 2 pumps, i.e. DHW secondary circulation pump, pump for DHW heating, CH pump without mixer

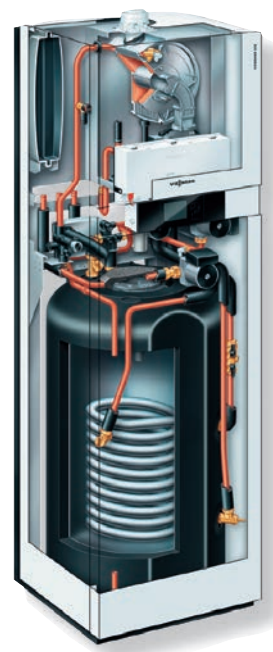
Flues

7441467	Std 1 m horizontal flue kit Ø 60/100 mm (1000 mm terminal, 87° bend)
7373230	SC vertical flue terminal Ø 60/100 mm
7373227	SC 45° flue elbow Ø 60/100 mm (pair)
7373226	SC 45° flue elbow Ø 60/100 mm (pair)
7373226	SC 87° flue elbow Ø 60/100 mm
7373225	SC 1.95 m flue extension pipe Ø 60/100 mm
7373224	SC 1 m flue extension pipe Ø 60/100 mm
7373223	SC 0.5 m flue extension pipe Ø 60/100 mm
7176762	SC flue mounting clip Ø 100 mm
7667546	Balanced flue pipe 60/100, 3 m NEW
7667547	Wall terminal 60/100 1.75 m
7337276	Terminal guard
7373238	Plume management kit
7373266	Flue bend 45° Ø 60 mm (pair)
7373267	Flue bend 87° Ø 60 mm
7373268	Plume kit 1 m flue extension Ø 60 mm
7452499	Roof tile lead Ø 125 red (for 60/100 mm flue system)
7452500	Roof tile lead Ø 125 red (for 60/100 mm flue system)
7452501	Roof tile lead Ø 160 black (for 80/125 mm flue system)
7452502	Roof tile lead Ø 160 red (for 80/125 mm flue system)
7452503	Roof Flashing Kit D=200
7426187	Flat Roof Collar Alu D=125 H=250 S
ZK00028	Chimney flue kit 60/100 - 12.5 m / room sealed
ZK00029	Chimney flue kit Ø 60/100 mm - 12.5 m / open flued (for longer flue lengths upgrade to Ø 80/125 mm)
7502602	Chimney kit for recess installation 60/100 with flexi 60 mm
7502603	Chimney kit for recess installation 60/100 with flexi 80 mm
7590109	Open flued water protection cap
7373240	Flue adaptor 60/100 to 80/125 mm

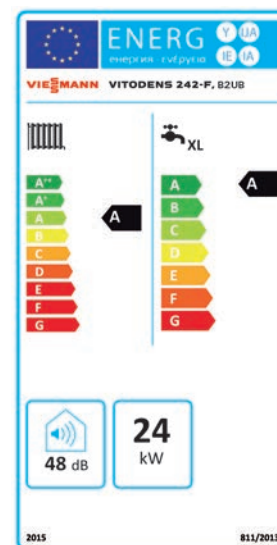
For all other accessories please see page 25



5 inch colour touchscreen control with energy cockpit (see page 26)



Cylinder in 242-F includes solar coil



10 Year Warranty
 on all stainless steel heat exchangers for
 gas condensing boilers up to 150 kW

Gas condensing
technology

Vitodens 222-F DHW Storage
1.8 to 35 kW

3 year comprehensive
warranty as standard
5 years if fitted by a Viessmann
Trained Installer



VITODENS 222-F DHW STORAGE

This storage combined floor standing condensing boiler is designed specifically for modernising heating systems and replacing older gas fired boilers and DHW cylinders

Take advantage of these benefits

- Floorstanding gas condensing storage combi boiler in standard kitchen unit dimensions
- High level of DHW convenience thanks to an integral loading cylinder
- Durable and efficient thanks to the Inox-Radial heat exchanger
- Power saving high efficiency pump
- Easy to operate Vitotronic control unit with 5 inch colour touchscreen
- Control via app and internet (with optional Vitoconnect 100 WiFi adaptor)
- Combined PRV and condensate connection, for fast and simple installation
- Energy efficiency class: A
- Energy efficiency class, DHW heating: A

Alternative solutions for different degrees of water hardness

The enamelled loading cylinders with 100 litres or 130 litres capacity (type B2TB) provide a high level of DHW convenience. Where drawing hot water is concerned, this volume is comparable to a separate 350 litre DHW cylinder. The water heated to the required temperature continually charges the loading cylinder and is therefore

immediately available. Sensors ensure a uniform temperature.

Automatic combustion control reduces costs

All Viessmann gas condensing boilers feature the integral Lambda Pro Control Plus combustion controller. It automatically adapts to the different properties of different gas types (natural gas E/L, LPG, biogas) and ensures consistently high energy efficiency. Lambda Pro Control Plus helps to keep maintenance costs down.

Convenient control via app

Controlling the heating centre is particularly convenient via app and the Vitoconnect 100 WiFi adaptor. This establishes the connection to the home router and enables access to the Vitodens 222-F via the internet from a smartphone or tablet computer. The ViCare app controls one heating circuit; for up to three heating circuits, use the Vitotrol Plus app.

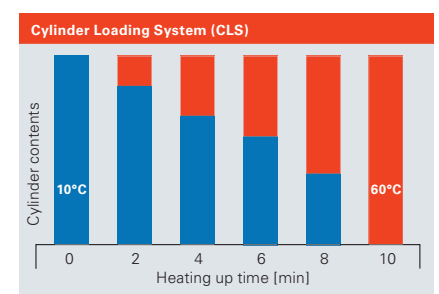
Extremely easy to maintain

By selecting this boiler, the user will also benefit from low maintenance costs: All components are accessible from the front, no side clearance for servicing is

required. When controlling the Vitodens 222-F via ViCare or the Vitotrol Plus app, the contractor can automatically be notified in the event of a fault.

Cylinder Loading System (CLS)

Most unvented cylinders use a heating coil to heat up the cylinder. The CLS technology replaces the coil with a plate heat exchanger. A DHW pump circulates the cold water from the bottom of the cylinder, through the plate heat exchanger and puts the hot water back to the top of the cylinder.



Boilers

Part No.	Description
B2TB111	Vitodens 222-F Storage combi (Const temp & 7-day programmer) 19 kW
B2TB112	Vitodens 222-F Storage combi (Const temp & 7-day programmer) 26 kW
B2TB113	Vitodens 222-F Storage combi (Const temp & 7-day programmer) 35 kW
B2TB115	Vitodens 222-F Storage combi (Weather comp) 19 kW
B2TB116	Vitodens 222-F Storage combi (Weather comp) 26 kW
B2TB117	Vitodens 222-F Storage combi (Weather comp) 35 kW
7348566	Standard top connection set
7350854	Standard RH or LH side connection set

Controls

7141709	Vitotrol 100 room thermostat
7170149	Vitotrol 100 UTA programmable room thermostat 24h analogue
Z007691	Vitotrol 100 UTDB programmable room thermostat - 7 day, single channel
Z007692	Vitotrol 100 UTDB RF wireless programmable room thermostat - 7 day, single channel
7408012	Room temperature sensor
Z008341	Vitotrol 200A remote control with LCD display for 1 heating circuit (only with Vitotronic 200)
Z011471	Vitotrol 200 RF pack 1 (includes RF control and receiver) (only in conjunction with weather compensation)
Z011472	Wireless pack 2 (Vitotrol 200 RF, receiver unit, outdoor sensor and Vitotronic 200)
Z011219	Vitotrol 200 RF remote control with LCD display (only in conjunction with weather compensation)
7455213	Wireless outdoor sensor to be used with Vitotrol 200/300 receiver unit (ordered separately)
7456538	Repeater (optional signal booster) for Vitotrol 200 RF (only in conjunction with weather compensation)
Z011472	Wireless pack 2 (Vitotrol 200 RF, receiver unit, outdoor sensor and Vitotronic 200)
Z011413	Vitotrol 300 RF RC with table stand and receiver (only in conjunction with weather compensation)
Z011410	Vitotrol 300 RF RC with table stand (only in conjunction with weather compensation)
Z011412	Vitotrol 300 RF RC with wall mount (only in conjunction with weather compensation)
Z011962	Vitotrol 300 RF RC with table stand and receiver (only in conjunction with weather compensation)
Z011963	Vitotronic 100 HC1B const temp, no programmer
7570996	Vitotrol 300 RF RC with wall mount and receiver (only in conjunction with weather compensation)
Z008342	Vitotrol 300A remote control with LCD display for up to 3 heating circuits (only with Vitotronic 200)
7438537	Room temperature sensor (optional for Vitotrol 300A only)
7459131	Vitotronic 100 HC1B const temp, no programmer
7570996	Vitotronic 100 HC2B const temp, with 7 day programmer
7661470	Vitotronic 200 HO2B weather compensated controller
7452091	Extension EA1 - wall mounted extension of up to 5 different in and output signals: 1 analogue 0-10 V, 3 digital inputs: 1 potential free output
7452092	Extension AM1 - function extensions wall mounted to control up to 2 pumps, i.e. DHW secondary circulation pump, pump for DHW heating, CH pump without mixer

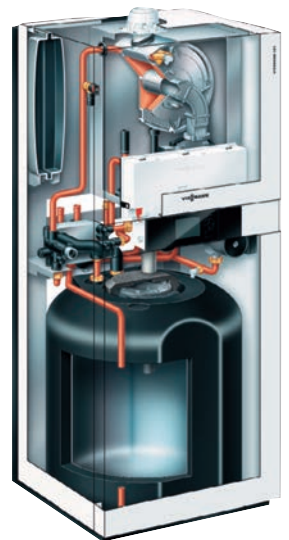
Flues

7441467	Std 1 m horizontal flue kit Ø 60/100 mm (1000 mm terminal, 87° bend)
7373230	SC vertical flue terminal Ø 60/100 mm
7373227	SC 45° flue elbow Ø 60/100 mm (pair)
7373226	SC 87° flue elbow Ø 60/100 mm
7373225	SC 1.95 m flue extension pipe Ø 60/100 mm
7373224	SC 1 m flue extension pipe Ø 60/100 mm
7373223	SC 0.5 m flue extension pipe Ø 60/100 mm
7176762	SC flue mounting clip Ø 100 mm
7667546	Balanced flue pipe 60/100, 3 m NEW
7667547	Wall terminal 60/100, 1.75 m
7337276	Terminal guard
7373238	Plume management kit
7373266	Flue bend 45° Ø 60 mm (pair)
7373267	Flue bend 87° Ø 60 mm
7373268	Plume kit 1 m flue extension Ø 60 mm
7246572	Fixing clamps - 60 mm
7452499	Roof tile lead Ø 125 black (for 60/100 mm flue system)
7452500	Roof tile lead Ø 125 red (for 60/100 mm flue system)
7452501	Roof tile lead Ø 160 black (for 80/125 mm flue system)
7452502	Roof tile lead Ø 160 red (for 80/125 mm flue system)
7452503	Roof Flashing Kit D=200
7426187	Flat Roof Collar Alu D=125 H=250 S
ZK00028	Chimney flue kit 60/100 - 12.5 m / room sealed
ZK00029	Chimney flue kit Ø 60/100 mm - 12.5 m / open flued (for longer flue lengths upgrade to Ø 80/125 mm)
7502602	Chimney kit for recess installation 60/100 with flexi 60 mm
7502603	Chimney kit for recess installation 60/100 with flexi 80 mm
7590109	Open flued water protection cap
7373240	Flue adaptor 60/100 to 80/125 mm

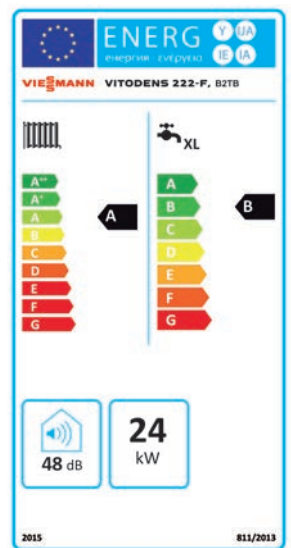
For all other accessories please see page 25



5 inch colour touchscreen control with energy cockpit (see page 26)



Two cylinder sizes available
19/26 kW models 100 litres
35 kW model 130 litres



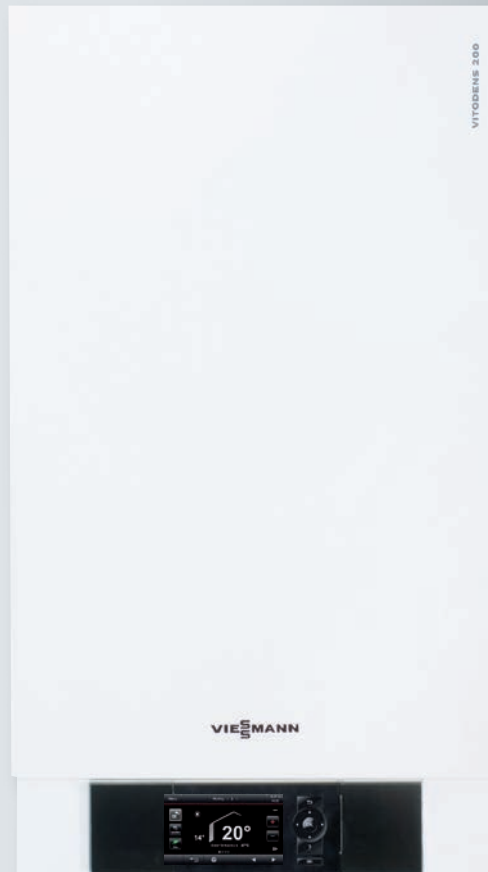
10 Year Warranty

on all stainless steel heat exchangers for gas condensing boilers up to 150 kW

Gas condensing
technology

Vitodens 200-W Combi and System
1.8 to 35 kW

3 year comprehensive
warranty as standard
5 years if fitted by a Viessmann
Trained Installer



VITODENS 200-W COMBI AND SYSTEM

Wall mounted gas fired condensing boiler, with modulating MatriX cylinder burner and Inox-Radial heat exchanger, for open and balanced flue operation.

Take advantage of these benefits

- Up to 98 percent of the fuel used is converted into heat
- Quiet operation thanks to low fan speed
- Compact dimensions, only 450 mm wide
- 1:20 modulation range (35 kW)
- Easy to operate Vitotronic control unit with 5 inch colour touchscreen
- Control via app and internet (with optional Vitoconnect 100 WiFi adaptor)
- Optionally available as combi (type BK2B) or system boiler (type B2HB)
- Also available: 49/60, 80-150 kW
- Energy efficiency class: A
- Combined PRV and condensate connection, for fast and simple installation

Automatic combustion control reduces costs

The integral Lambda Pro Control Plus combustion controller automatically adapts to the properties of different gas types (natural gas or LPG) and ensures consistently high energy efficiency. Lambda Pro Control Plus helps to keep maintenance costs down.

Convenient control via app

Controlling the heating centre is particularly convenient via app and the Vitoconnect 100 WiFi adaptor. This establishes the connection to the home router and enables access to the Vitodens 200-W via the internet from a smartphone or tablet computer. The ViCare app controls one heating circuit; for up to three heating circuits, use the Vitotrol Plus app.

Extremely easy to maintain

By selecting this boiler, the user will also benefit from low maintenance costs: All components are accessible from the front, no side clearance for servicing is required. When controlling the Vitodens 200-W via ViCare or the Vitotrol Plus app, the contractor can automatically be notified in the event of a fault.

Available as a system or combi boiler

The Vitodens 200-W is optionally available as a system boiler with separate DHW heating or, as a combi boiler with an output of up to 35 kW and an integral instantaneous water heater.

Viessmann 4-pipe system

Viessmann Vitodens system boilers up to 35 kW installed together with a Vitocell 200 or 300 unvented cylinder are the perfect combination to meet G3 building regulations without the need for an energy cut-off valve and cylinder overheat thermostat; these are integrated into the boiler (see page 18).



Boilers

Part No.	Description	Part No.	Description
Vitodens 200-W System boiler		Vitodens 200-W Combi boiler	
B2HB406	With Vitotronic 100 const temp 19 kW	B2KB075	With Vitotronic 100 const temp 26 kW
B2HB407	With Vitotronic 100 const temp 26 kW	B2KB076	With Vitotronic 100 const temp 30 kW
B2HB408	With Vitotronic 100 const temp 30 kW	B2KB077	With Vitotronic 100 const temp 35 kW
B2HB409	With Vitotronic 100 const temp 35 kW	B2KB078	With Vitotronic 200 weather comp 26 kW
B2HB410	With Vitotronic 200 weather comp 19 kW	B2KB079	With Vitotronic 200 weather comp 30 kW
B2HB411	With Vitotronic 200 weather comp 26 kW	B2KB080	With Vitotronic 200 weather comp 35 kW
B2HB412	With Vitotronic 200 weather comp 30 kW		
B2HB413	With Vitotronic 200 weather comp 35 kW		

Controls

7141709	Vitotrol 100 room thermostat
7170149	Vitotrol 100 UTA programmable room thermostat 24h analogue
Z007691	Vitotrol 100 UTDB programmable room thermostat - 7 day, single channel
Z007692	Vitotrol 100 UTDB RF wireless programmable room thermostat - 7 day, single channel
7408012	Room temperature sensor
Z008341	Vitotrol 200A remote control with LCD display for 1 heating circuit (only with Vitotronic 200)
Z011471	Vitotrol 200 RF pack 1 (includes RF control and receiver) (only in conjunction with weather compensation)
Z011472	Wireless pack 2 (Vitotrol 200 RF, receiver unit, outdoor sensor and Vitotronic 200)
Z011219	Vitotrol 200 RF remote control with LCD display (only in conjunction with weather compensation)
7455213	Wireless outdoor sensor to be used with Vitotrol 200/300 receiver unit (ordered separately)
7456538	Repeater (optional signal booster) for Vitotrol 200 RF (only in conjunction with weather compensation)
Z011472	Wireless pack 2 (Vitotrol 200 RF, receiver unit, outdoor sensor and Vitotronic 200)
Z011413	Vitotrol 300/200 RF receiver unit (only in conjunction with weather compensation)
Z011410	Vitotrol 300 RF RC with table stand (only in conjunction with weather compensation)
Z011412	Vitotrol 300 RF RC with wall mount (only in conjunction with weather compensation)
Z011962	Vitotrol 300 RF RC with table stand and receiver (only in conjunction with weather compensation)
Z011963	Vitotrol 300 RF RC with wall mount and receiver (only in conjunction with weather compensation)
Z008342	Vitotrol 300A remote control with LCD display for up to 3 heating circuits (only with Vitotronic 200)
7438537	Room temperature sensor (optional for Vitotrol 300A only)
7459131	Vitotronic 100 HC1B const temp, no programmer
7570996	Vitotronic 100 HC2B const temp, with 7 day programmer
7661470	Vitotronic 200 HO2B weather compensated controller
7452091	Extension EA1 - wall mounted extension of up to 5 different in and output signals: 1 analogue 0-10 V, 3 digital inputs: 1 potential free output
7452092	Extension AM1 - function extensions wall mounted to control up to 2 pumps, i.e. DHW secondary circulation pump, pump for DHW heating, CH pump without mixer

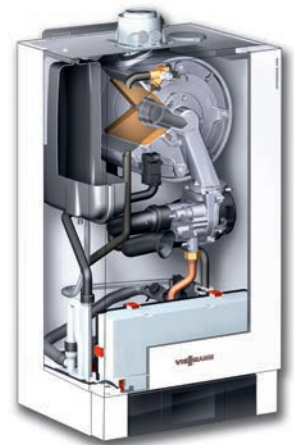
Flues

7411961	Telescopic flue kit Ø 60/100 mm
7441467	Std 1 m horizontal flue kit Ø 60/100 mm (1000 mm terminal, 87° bend)
7373230	SC vertical flue terminal Ø 60/100 mm
7373227	SC 45° flue elbow Ø 60/100 mm (pair)
7373226	SC 87° flue elbow Ø 60/100 mm
7373225	SC 1.95 m flue extension pipe Ø 60/100 mm
7373224	SC 1 m flue extension pipe Ø 60/100 mm
7373223	SC 0.5 m flue extension pipe Ø 60/100 mm
7176762	SC flue mounting clip Ø 100 mm
7667546	Balanced flue pipe 60/100, 3 m NEW
7667547	Wall terminal 60/100, 1.75 m
7337276	Terminal guard
7373238	Plume management kit
7373266	Flue bend 45° Ø 60 mm (pair)
7373267	Flue bend 87° Ø 60 mm
7373268	Plume kit 1 m flue extension Ø 60 mm
7246572	Fixing clamps - 60 mm
7452499	Roof tile lead Ø 125 black (for 60/100 mm flue system)
7452500	Roof tile lead Ø 125 red (for 60/100 mm flue system)
7452501	Roof tile lead Ø 160 black (for 80/125 mm flue system)
7452502	Roof tile lead Ø 160 red (for 80/125 mm flue system)
7452503	Roof Flashing Kit D=200
7426187	Flat Roof Collar Alu D=125 H=250 S
ZK00028	Chimney flue kit 60/100 - 12.5 m / room sealed
ZK00029	Chimney flue kit Ø 60/100 mm - 12.5 m / open flued (for longer flue lengths upgrade to Ø 80/125 mm)
7502602	Chimney kit for recess installation 60/100 with flexi 60 mm
7502603	Chimney kit for recess installation 60/100 with flexi 80 mm
7590109	Open flued water protection cap
7373240	Flue adaptor 60/100 to 80/125 mm

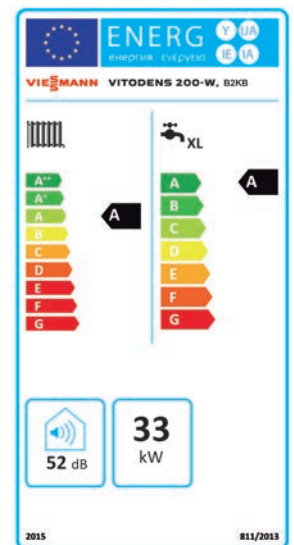
For all other accessories please see page 25



5 inch colour touchscreen control with energy cockpit (see page 26)



200-W showing components



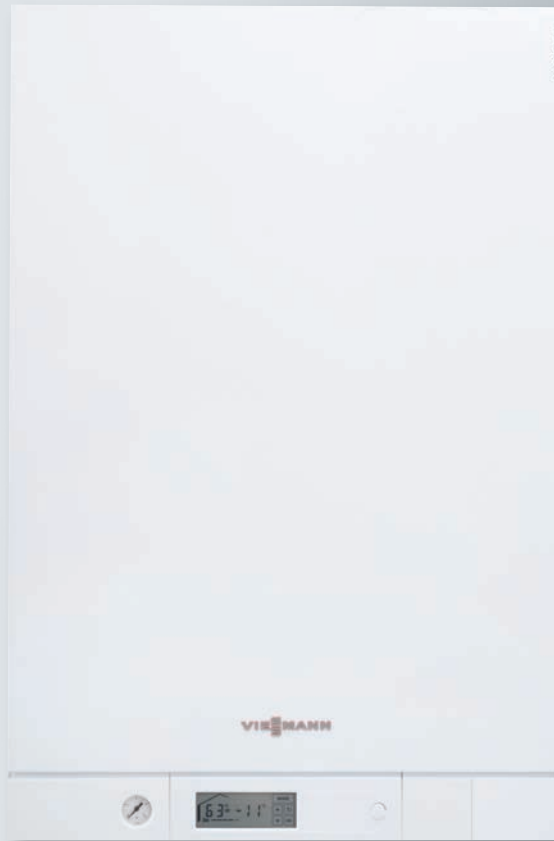
10 Year Warranty

on all stainless steel heat exchangers for gas condensing boilers up to 150 kW

Gas condensing
technology

Vitodens 111-W DHW Storage
4.7 to 35 kW

5 year comprehensive
warranty as standard
Option to increase up to 10 years*



VITODENS 111-W DHW STORAGE

Wall mounted gas fired condensing boiler with integral cylinder for the highest DHW convenience.

Take advantage of these benefits

- Compact dimensions save space, particularly when installed in a living area
- SEDBUK 2009 seasonal efficiency 89.5%
- Ideal as a replacement for older appliances due to low installed height and installation space for adaptation to existing systems
- Low operating noise through extended modulation ratio
- Modulation ratio: up to 1:6
- Modulating stainless steel cylinder burner
- User friendly control via backlit LCD touchscreen (option for control via room thermostats)
- 46 l stainless steel loading cylinder
- Combined PRV and condensate connection, for fast and simple installation
- Straightforward access from the front, so no need to leave space at side for maintenance
- Also approved for multiple connections to stacks in multi storey buildings

The Vitodens 111-W is also equipped with a stainless steel loading cylinder that boasts a 46 litre capacity.

The modulating ratio over the entire output range is up to 1:6. This high ratio makes these boilers particularly suitable for use in small apartments and well insulated buildings. The user benefits from fewer appliance start-ups and therefore less operating noise. Because a lower level of stress is placed upon the appliance, the service life of components is consequently extended.

Stainless steel heat exchanger

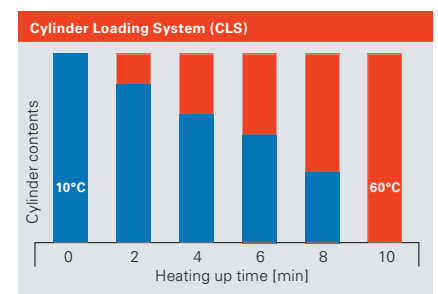
As is the case with all Viessmann gas condensing boilers, the Vitodens 111-W are equipped with stainless steel Inox-Radial heat exchangers. This technology brings with it an extremely high efficiency rate of 98 percent and exceptionally reliable and efficient operation during its long service life.

Viessmann guarantees the Inox-Radial heat exchanger for ten years against leaks resulting from corrosion.

Cylinder Loading System (CLS)

Most unvented cylinders use a heating coil to heat up the cylinder. The CLS technology replaces the coil with a plate heat exchanger. A DHW pump circulates the cold water from the bottom of the cylinder, through the plate heat exchanger and puts the hot water back to the top of the cylinder.

* Viessmann Trained Installers can offer their customers an extended warranty option up to 10 years.



Boilers

Part No.	Description
B1LDO09	Vitodens 111-W with integrated 46l un-vented cylinder 26 kW
B1LDO10	Vitodens 111-W with integrated 46l un-vented cylinder 35 kW
Controls	
7141709	Vitotrol 100 room thermostat
7170149	Vitotrol 100 UTA programmable room thermostat 24h analogue
7522678	Analogue time clock
7522677	Analogue time clock
Z007691	Vitotrol 100 UTDB programmable room thermostat - 7 day, single channel
7454528	Digital time clock
7454521	Vitotrol 100 UTA RF 1 channel
7537234	Vitotrol 100 UTDB RF2
Z013877	Mixer extension kit without Vitotrol 100 Open Therm (OT)
Z013919	Mixer extension kit with one Vitotrol 100 Open Therm (OT)
Z013920	Mixer extension kit with two Vitotrol 100 Open Therm (OT)
ZK02485	Outside temperature sensor for weather compensated operation
Flues	
7411961	Telescopic flue kit Ø 60/100 mm
7441467	Std 1 m horizontal flue kit Ø 60/100 mm (1000 mm terminal, 87° bend)
7373230	SC vertical flue terminal Ø 60/100 mm
7373227	SC 45° flue elbow Ø 60/100 mm (pair)
7373226	SC 87° flue elbow Ø 60/100 mm
7373225	SC 1.95 m flue extension pipe Ø 60/100 mm
7373224	SC 1 m flue extension pipe Ø 60/100 mm
7373223	SC 0.5 m flue extension pipe Ø 60/100 mm
7176762	SC flue mounting clip Ø 100 mm
7667546	Balanced flue pipe 60/100, 3 m NEW
7667547	Wall terminal 60/100, 1.75 m
7337276	Terminal guard
7373238	Plume management kit
7373266	Flue bend 45° Ø 60 mm (pair)
7373267	Flue bend 87° Ø 60 mm
7373268	Plume kit 1 m flue extension Ø 60 mm
7246572	Fixing clamps - 60 mm
7452499	Roof tile lead Ø 125 black (for 60/100 mm flue system)
7452500	Roof tile lead Ø 125 red (for 60/100 mm flue system)
7452501	Roof tile lead Ø 160 black (for 80/125 mm flue system)
7452502	Roof tile lead Ø 160 red (for 80/125 mm flue system)
7452503	Roof Flashing Kit D=200
7426187	Flat Roof Collar Alu D=125 H=250 S
ZK00028	Chimney flue kit 60/100 - 12.5 m / room sealed
ZK00029	Chimney flue kit Ø 60/100 mm - 12.5 m / open flued (for longer flue lengths upgrade to Ø 80/125 mm)
7502602	Chimney kit for recess installation 60/100 with flexi 60 mm
7502603	Chimney kit for recess installation 60/100 with flexi 80 mm
7590109	Open flued water protection cap
7373240	Flue adaptor 60/100 to 80/125 mm

For all other accessories please see page 25

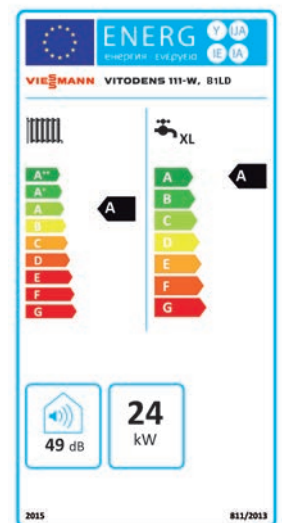


The touchscreen improves user friendliness

The Vitodens 100-W wall mounted gas condensing boilers are controlled by the new, backlit LCD touchscreen, which makes it easy to use and read in dark environments.



111-W showing components



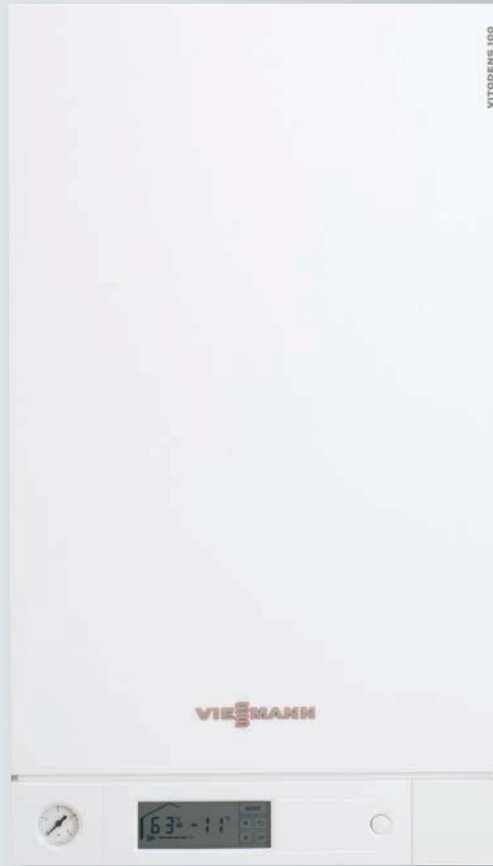
10 Year Warranty

on all stainless steel heat exchangers for gas condensing boilers up to 150 kW

Gas condensing
technology

Vitodens 100-W Combi and System
4.7 to 35 kW

5 year comprehensive
warranty as standard
Option to increase up to 10 years*



VITODENS 100-W COMBI AND SYSTEM

With its compact dimensions, low weight and quiet operation, the Vitodens 100-W will integrate effortlessly into any living space.

Take advantage of these benefits

- SEDBUK 2009 seasonal efficiency 89.5%
- Ideal as a replacement for older appliances due to low installed height and installation space for adaptation to existing systems
- Low operating noise through extended modulation ratio: up to 1:6
- Modulating stainless steel cylinder burner
- User friendly control via backlit LCD touchscreen (option for control via room thermostats)
- Straightforward access from the front, so no need to leave space at side for maintenance
- Also approved for multiple connections to stacks in multi storey buildings
- Combined PRV and condensate connection, for fast and simple installation

With their compact dimensions, low weight and quiet operation, the attractively priced Vitodens 100-W gas condensing boilers will integrate effortlessly into any living space. The modulating ratio over the entire output range is up to 1:6. This high ratio makes these

boilers particularly suitable for use in small apartments and well insulated buildings. The user benefits from fewer appliance start-ups and therefore less operating noise. Because a lower level of stress is placed upon the appliance, the service life of components is consequently extended.

Stainless steel heat exchanger

As is the case with all Viessmann gas condensing boilers, the Vitodens 100-W is equipped with stainless steel Inox-Radial heat exchangers. This technology brings with it an extremely high efficiency rate of 98 percent and exceptionally reliable and efficient operation during its long service life. Viessmann guarantees the Inox-Radial heat exchanger for ten years against leaks resulting from corrosion.

The touchscreen improves user friendliness

The Vitodens 100-W wall mounted gas condensing boilers are controlled by the new, backlit LCD touchscreen, which makes it easy to use and read in dark environments.

Viessmann 4-pipe system

Viessmann Vitodens system boilers up to 35 kW installed together with a Vitocell 200 or 300 unvented cylinder are the perfect combination to meet G3 building regulations without the need for an energy cut-off valve and cylinder overheat thermostat; these are integrated into the boiler (see page 18).

* Viessmann Trained Installers can offer their customers an extended warranty option up to 10 years.



Boilers

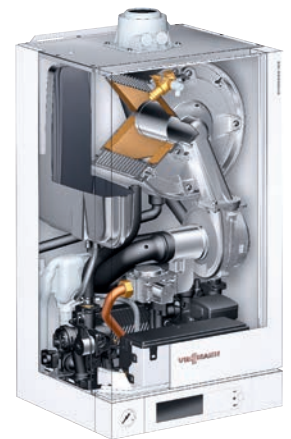
Part No.	Description
B1KC023	Vitodens 100-W Combi boiler 26 kW
B1KC024	Vitodens 100-W Combi boiler 30 kW
B1KC025	Vitodens 100-W Combi boiler 35 kW
B1HC028	Vitodens 100-W System boiler 19 kW
B1HC029	Vitodens 100-W System boiler 26 kW
B1HC030	Vitodens 100-W System boiler 30 kW
B1HC031	Vitodens 100-W System boiler 35 kW
Controls	
7141709	Vitotrol 100 room thermostat
7170149	Vitotrol 100 UTA programmable room thermostat 24h analogue
7522678	Analogue time clock
Z007691	Vitotrol 100 UTDB programmable room thermostat - 7 day, single channel
7511618	Vitotrol 100 OpenTherm programmable room controller, 7 day, single channel (load compensation)
Z007692	Vitotrol 100 UTDB RF wireless programmable room thermostat - 7 day, single channel
7454528	Digital time clock
7454521	Vitotrol 100 UTA RF 1 channel
7537234	Vitotrol 100 UTDB RF2
Z013877	Mixer extension kit without Vitotrol 100 Open Therm (OT)
Z013919	Mixer extension kit with one Vitotrol 100 Open Therm (OT)
Z013920	Mixer extension kit with two Vitotrol 100 Open Therm (OT)
ZK02485	Outside temperature sensor for weather compensated operation
Flues	
7411961	Telescopic flue kit Ø 60/100 mm
7441467	Std 1 m horizontal flue kit Ø 60/100 mm (1000 mm terminal, 87° bend)
7373230	SC vertical flue terminal Ø 60/100 mm
7373227	SC 45° flue elbow Ø 60/100 mm (pair)
7373226	SC 87° flue elbow Ø 60/100 mm
7373225	SC 1.95 m flue extension pipe Ø 60/100 mm
7373224	SC 1 m flue extension pipe Ø 60/100 mm
7373223	SC 0.5 m flue extension pipe Ø 60/100 mm
7176762	SC flue mounting clip Ø 100 mm
7667546	Balanced flue pipe 60/100, 3 m NEW
7667547	Wall terminal 60/100, 1.75 m
7337276	Terminal guard
7373238	Plume management kit
7373266	Flue bend 45° Ø 60 mm (pair)
7373267	Flue bend 87° Ø 60 mm
7373268	Plume kit 1 m flue extension Ø 60 mm
7246572	Fixing clamps - 60 mm
7452499	Roof tile lead Ø 125 black (for 60/100 mm flue system)
7452500	Roof tile lead Ø 125 red (for 60/100 mm flue system)
7452501	Roof tile lead Ø 160 black (for 80/125 mm flue system)
7452502	Roof tile lead Ø 160 red (for 80/125 mm flue system)
7452503	Roof Flashing Kit D=200
7426187	Flat Roof Collar Alu D=125 H=250 S
ZK00028	Chimney flue kit 60/100 - 12.5 m / room sealed
ZK00029	Chimney flue kit Ø 60/100 mm - 12.5 m / open flued (for longer flue lengths upgrade to Ø 80/125 mm)
7502602	Chimney kit for recess installation 60/100 with flexi 60 mm
7502603	Chimney kit for recess installation 60/100 with flexi 80 mm
7590109	Open flued water protection cap
7373240	Flue adaptor 60/100 to 80/125 mm

For all other accessories please see page 25

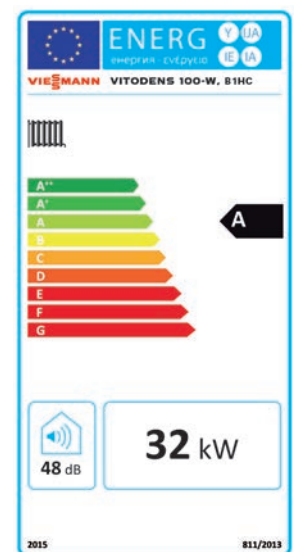


The touchscreen improves user friendliness

The Vitodens 100-W wall mounted gas condensing boilers are controlled by the new, backlit LCD touchscreen, which makes it easy to use and read in dark environments.



100-W showing components



10 Year Warranty

on all stainless steel heat exchangers for gas condensing boilers up to 150 kW

Gas condensing
technology

Vitodens 100-W Open Vent
7.9 to 35 kW

5 year comprehensive
warranty as standard
Option to increase up to 10 years*



VITODENS 100-W OPEN VENT

Wall mounted gas fired condensing boiler, with modulating MatriX cylinder burner and Inox-Radial heat exchanger, for open and balanced flue operation.

Take advantage of these benefits

- For natural gas and LPG (conversion kit part no. 7828769)
- Permissible boiler operating pressure 3 bar
- Modulation ratio of 1:3
- Room thermostatic and weather compensated control unit options
- Min static head 1 m

With a depth of only 285 mm (340 mm for 35 kW model) the Vitodens 100-W Open Vent boiler is perfectly suited for integration into standard kitchen cupboards. It can also be used in a vast number of other applications where there is only limited space available.

Inox-Radial heat exchanger

The corrosion-resistant stainless steel Inox-Radial heat exchanger with particularly strong walls is extremely durable and achieves efficiency levels of up to 97%.

Quiet in operation

The boiler's special design ensures the very low operating noise of 39 dB (A) maximum (26 kW) which is perfectly acceptable even in the kitchen.

Optional weather compensation

With a simple up-grade the Vitodens 100-W Open Vent can operate in weather compensated mode without incurring a costly heating system modification. Weather compensation acts like an autopilot as it detects outside temperature changes and automatically adjusts the flow temperature of the boiler, thus achieving gas savings of up to 12%.

5 year parts and labour warranty

The Vitodens 100-W Open Vent comes with a standard 5 year parts and labour warranty. The stainless steel Inox-Radial heat exchanger features a 10 year anti corrosion warranty.

Ideal for Y and S plan heating systems

Whilst being specifically designed for open vent heating systems, the Vitodens 100-W Open Vent is suitable for sealed systems using an additional expansion vessel and safety valve. The boiler also shares the various flue options available for the Combination and System models of the Vitodens 100-W gas condensing boiler range.

* Viessmann Trained Installers can offer their customers an extended warranty option up to 10 years.



Boilers

Part No.	Description
WB1B316	Vitodens 100-W Compact (Open vent) NG & LPG 13 kW
WB1B317	Vitodens 100-W Compact (Open vent) NG & LPG 16 kW
WB1B318	Vitodens 100-W Compact (Open vent) NG & LPG 19 kW
WB1B319	Vitodens 100-W Compact (Open vent) NG & LPG 26 kW
WB1B491	Vitodens 100-W Compact (Open vent) NG & LPG 35 kW

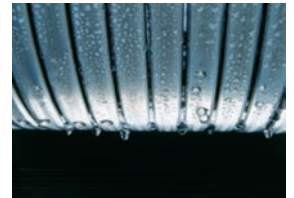
Controls

7141709	Vitotrol 100 room thermostat
7522677	Analogue time clock
7296063	Digital time switch (plug-in) 2 channel (only in conjunction with weather compensation)
7296064	Vitotrol 100 UTA RF wireless plug-in programmable room thermostat, 1 channel, 24h (only in conjunction with weather compensation)
2007693	Vitotrol 100 UTDB RF2 wireless plug-in programmable room thermostat, 2 channel, 7 day (only in conjunction with weather compensation)
2007933	Weather compensation outdoor sensor (incl DHW demand box)

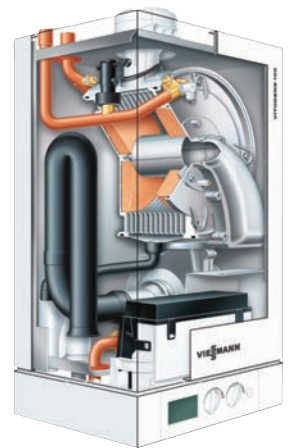
Flues

7411961	Telescopic flue kit Ø 60/100 mm
7441467	Std 1 m horizontal flue kit Ø 60/100 mm (1000 mm terminal, 87° bend)
7373230	SC vertical flue terminal Ø 60/100 mm
7373227	SC 45° flue elbow Ø 60/100 mm (pair)
7373226	SC 87° flue elbow Ø 60/100 mm
7373225	SC 1.95 m flue extension pipe Ø 60/100 mm
7373224	SC 1 m flue extension pipe Ø 60/100 mm
7373223	SC 0.5 m flue extension pipe Ø 60/100 mm
7176762	SC flue mounting clip Ø 100 mm
7667546	Balanced flue pipe 60/100, 3 m NEW
7667547	Wall terminal 60/100, 1.75 m
7337276	Terminal guard
7373238	Plume management kit
7373266	Flue bend 45° Ø 60 mm (pair)
7373267	Flue bend 87° Ø 60 mm
7373268	Plume kit 1 m flue extension Ø 60 mm
7246572	Fixing clamps - 60 mm
7452499	Roof tile lead Ø 125 black (for 60/100 mm flue system)
7452500	Roof tile lead Ø 125 red (for 60/100 mm flue system)
7452501	Roof tile lead Ø 160 black (for 80/125 mm flue system)
7452502	Roof tile lead Ø 160 red (for 80/125 mm flue system)
7452503	Roof Flashing Kit D=200
7426187	Flat Roof Collar Alu D=125 H=250 S
ZK00028	Chimney flue kit 60/100 - 12.5 m / room sealed
ZK00029	Chimney flue kit Ø 60/100 mm - 12.5 m / open flued (for longer flue lengths upgrade to Ø 80/125 mm)
7502602	Chimney kit for recess installation 60/100 with flexi 60 mm
7502603	Chimney kit for recess installation 60/100 with flexi 80 mm
7590109	Open flued water protection cap
7373240	Flue adaptor 60/100 to 80/125 mm

For all other accessories please see page 25



Inox-Radial heat exchanger



100-W Open Vent showing components



10 Year Warranty

on all stainless steel heat exchangers for gas condensing boilers up to 150 kW

Gas condensing
technology

Vitodens 050-W Combi
5.9 to 35 kW

3 year comprehensive warranty
Option to increase up to 7 years*



VITODENS 050-W COMBI

The Vitodens 050-W wall mounted gas condensing boiler offers excellent heating and DHW convenience with a particularly advantageous price/performance ratio.

Take advantage of these benefits

- Standard efficiency up to 97% (Hs)
- Highly durable and efficient through Inox-Radial stainless steel heat exchanger
- Modulating high efficiency stainless steel cylinder burner
- Easy to operate control with manual power limitation and provision for connecting modulating thermostats
- Combined PRV and condensate connection, for fast and simple installation
- Outstanding DHW convenience through its integral booster function
- Manual exhaust gas adaption enables large, maximum flue pipe length without any decrease in heat output
- Digital user interface with LCD display
- Suitable for weather compensation and/or
- High efficiency A rated pump open therm control operation

With the Vitodens 050-W, Viessmann now offers an attractively priced wall mounted gas condensing boiler with proven quality. An extensive range of accessories makes the Vitodens 050-W equally suitable for either new build or modernisation. It is offered with two DHW output ratings (5.9 to 29 and 8 to 35 kW), as a combi boiler with an integral instantaneous water heater. An electronic boiler control unit for thermostatic mode and weather compensated mode is already integrated into the Vitodens 050-W, along with a frost stat. The outside temperature sensor is available as an accessory.

Quiet and compact

The Vitodens 050-W features a particularly low level of operating noise and its components are accessible from the front for ease of service and maintenance. With a height of only 707 mm, the Vitodens 050-W is one of the smallest wall

mounted boilers in its class. Its compact dimensions recommend it as a replacement for outdated boilers in multi storey buildings – including up to five boilers on different floors connected to one vertical flue system.

Inox-Radial heat exchanger and cylinder burner made from stainless steel

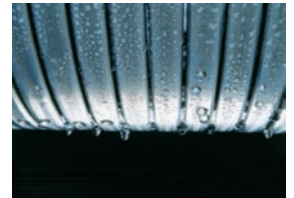
The high quality stainless steel Inox-Radial heat exchanger efficiently converts the supplied energy into heat. Its efficiency (to DIN) is 97 percent (Hs) [gross cv] or according to SEDBUK > 89.1 % (2009). The stainless steel cylinder burner therefore consumes relatively little natural gas, with lower CO₂ emissions and less impact on the environment as a result.

* Viessmann Trained Installers can offer their customers an extended warranty option up to 7 years.

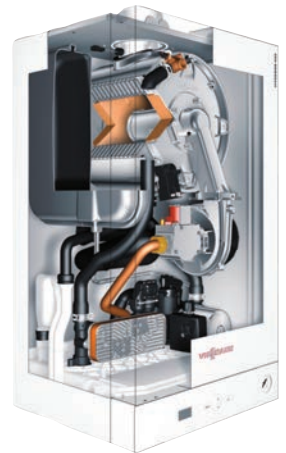
Boilers

Part No.	Description
BPJD030	Vitodens 050-W BPJD 29 kW
BPJD031	Vitodens 050-W BPJD 35 kW
Controls	
7537993	Vitotrol 100-W room thermostat (LV)
7537996	Vitotrol 100 UTA programmable room thermostat 24hour (LV)
7537988	Analogue time clock 1 channel
7537989	Digital time clock 2 channel
7552848	Vitotrol 100 UTA wireless plug-in programmable room thermostat, 1 channel 24 hour
7543788	Vitotrol 100 UTDB RF2 wireless plug-in programmable room thermostat, 2 channel 7 day
7511618	Vitotrol 100 OpenTherm programmable room controller, 7 day, single channel (load compensation)
7543241	Outside temperature sensor for weather compensated operation
Flues	
7411961	Telescopic flue kit Ø 60/100 mm
7441467	Std 1 m horizontal flue kit Ø 60/100 mm (1 000 mm terminal, 87° bend)
7373230	SC vertical flue terminal Ø 60/100 mm
7373227	SC 45° flue elbow Ø 60/100 mm (pair)
7373226	SC 87° flue elbow Ø 60/100 mm
7373225	SC 1.95 m flue extension pipe Ø 60/100 mm
7373224	SC 1 m flue extension pipe Ø 60/100 mm
7373223	SC 0.5 m flue extension pipe Ø 60/100 mm
7176762	SC flue mounting clip Ø 100 mm
7667546	Balanced flue pipe 60/100, 3 m NEW
7667547	Wall terminal 60/100, 1.75 m
7337276	Terminal guard
7373238	Plume management kit
7373266	Flue bend 45° Ø 60 mm (pair)
7373267	Flue bend 87° Ø 60 mm
7373268	Plume kit 1 m flue extension Ø 60 mm
7246572	Fixing clamps - 60 mm
7452499	Roof tile lead Ø 125 black (for 60/100 mm flue system)
7452500	Roof tile lead Ø 125 red (for 60/100 mm flue system)
7452501	Roof tile lead Ø 160 black (for 80/125 mm flue system)
7452502	Roof tile lead Ø 160 red (for 80/125 mm flue system)
7452503	Roof Flashing Kit D=200
7426187	Flat Roof Collar Alu D=125 H=250 S
ZK00028	Chimney flue kit 60/100 - 12.5 m / room sealed
ZK00029	Chimney flue kit Ø 60/100 mm - 12.5 m / open flued (for longer flue lengths upgrade to Ø 80/125 mm)
7502602	Chimney kit for recess installation 60/100 with flexi 60 mm
7502603	Chimney kit for recess installation 60/100 with flexi 80 mm
7590109	Open flued water protection cap
7373240	Flue adaptor 60/100 to 80/125 mm

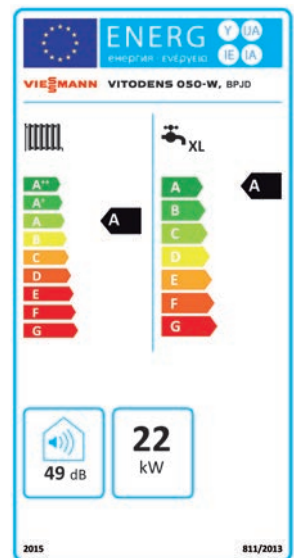
For all other accessories please see page 25



Inox-Radial heat exchanger



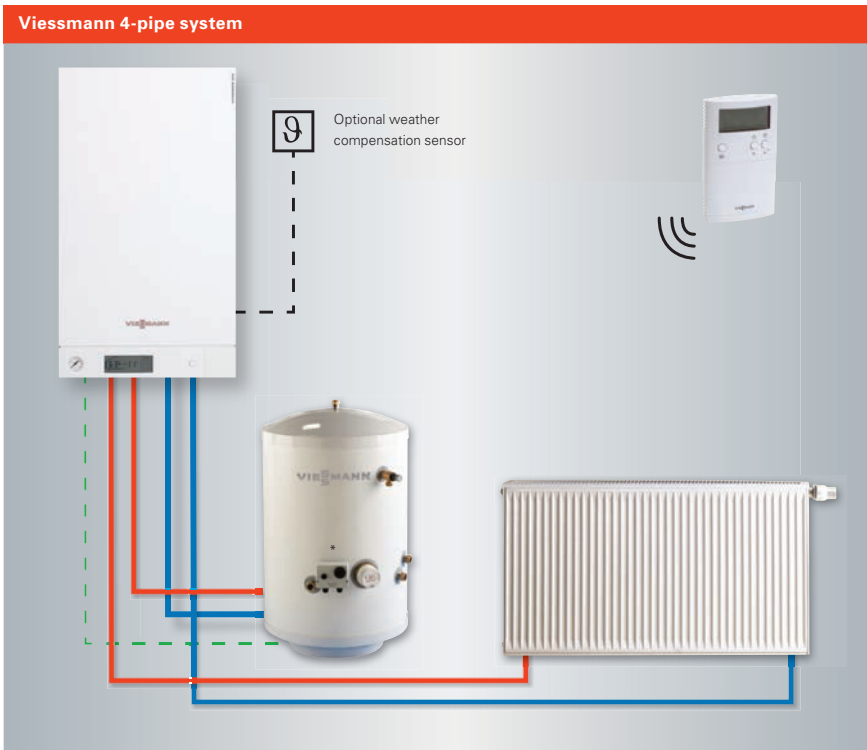
050-W showing components



10 Year Warranty

on all stainless steel heat exchangers for gas condensing boilers up to 150 kW

4-pipe system



Viessmann Vitodens system boilers up to 35 kW installed together with a Vitocell 200 or 300 unvented cylinder are the perfect combination to meet G3 building regulations without the need for an energy cut-off valve and cylinder overheat thermostat; these are integrated into the boiler.

Installation time will be reduced by up to 1 day as the following are no longer required:

- Energy cut off valve or safety valve
- Expansion vessel and pump
- Gauge and cylinder overheat thermostat
- Part P certification

Compatibility with solar

As a manufacturer of the full range of renewable energy technologies all Viessmann boilers are 100% compatible with solar thermal panels. The Vitodens 100/200-W range has the added advantage of boiler suppression, when using Viessmann solar panels and a dual coil cylinder. This means that the hot water system will always take advantage of solar power, whenever solar energy is available and the boiler will only fire to 'top up' the DHW heating process when absolutely necessary – resulting in significant fuel savings.

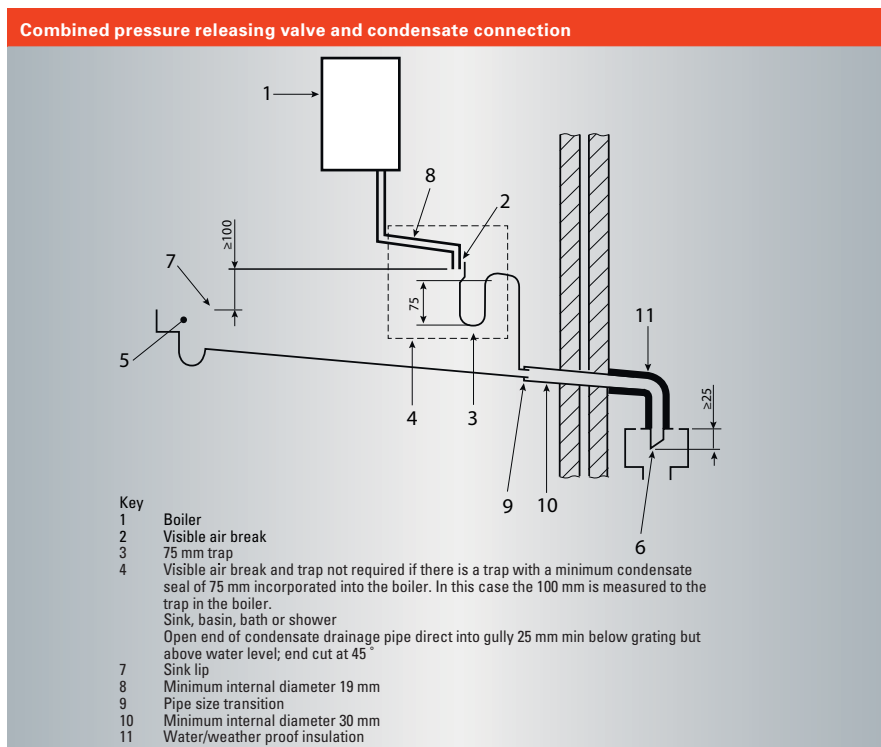
Combined PRV and condensate connection

Installation is faster, simpler and more cost-effective as pressure release valve (PRV) and condensate connection are combined, and long runs of additional piping are no longer required.

- Fast and simple installation, saving time and expense
- Built in safety device meaning no discharge pipe for DHW cylinder is required
- No exterior PRV drip/stain as it feeds into a single cold water pipe
- One less pipe to penetrate the building fabric

All Vitodens domestic boilers (exc Vitodens 100-W Open Vent) feature the combined PRV and condensate connection

Vitodens 050-W
 Vitodens 100-W
 Vitodens 111-W
 Vitodens 200-W
 Vitodens 222-F
 Vitodens 242-F



Example of a generic installation with the combined PRV/condensate connection

VITOCCELL 200-V



The Vitocell 200 range of unvented hot water storage cylinders are indirectly heated cylinders designed for use with Vitodens system boilers (or UK standard boilers).

Model	Height (mm)	Diameter (mm)	kW rating of primary coil (kW)	Heat up time from 15°C to 60°C (min)*	Stand-by losses (kWh/24h)**	Expansion vessel	Partno.
200-V90	732	550	16.5	17	0.89	12litre	7572707
200-V 120	920	550	18	21	1.00	12litre	7572708
200-V 150	1 107	550	18.5	25	1.20	18litre	7572709
200-V 180	1 295	550	19	30	1.30	18litre	7577210
200-V 210	1 493	550	25.6	32	1.60	24litre	7572711
200-V 250	1 733	550	27.1	36	1.80	24litre	7572712
200-V 300	2 020	550	25	38	2.00	40litre	7572713

* Approx re-heat time for 70% of cylinder contents from 15°C to 60°C using a 82°C flow

** Meets CHES Best practice requirements

VITOCCELL 200-B



Dual-mode domestic hot water cylinders work to heat the domestic hot water with separate indirect coils that are connected directly to the solar thermal system.

Model	Height (mm)	Dia (mm)	kW rating of primary coil (kW)	kW rating of solar coil (kW)	Heat up time from 15°C to 60°C (min)*	Stand-by losses (kWh/24h)**	Expansion vessel	Part no.
VC 200-B 210	1 483	550	18.5	18.5	35	1.60	24 litre	7572714
VC 200-B 250	1 733	550	19	19	38	1.80	24 litre	7572715
VC 200-B 300	2 020	550	20.5	20.5	41	2.00	40 litre	7572716

* Approx re-heat time for 70% of cylinder contents from 15°C to 60°C using a 82°C flow

** Meets CHES Best practice requirements

VITOCCELL 300-V



The Vitocell 300 range of unvented hot water storage cylinders are indirectly heated cylinders designed for use with Vitodens system boilers and characterised by the use of heavy gauge quality stainless steel.

Single coil	Vitocell 300-V		Vitocell 200-V	
Volumes	litres	200/300/500	90/120/150/180/210/250/300	
Material		SS 1.4571	SS Duplex	
Thickness/gauge	mm	2.5 - 2.6	1	
Max. pressure	bar	16	10	
Operating pressure	bar	10	3	
Insulation		PUR	PUR	
Heat loss in 24h	kW/hr	1.17	1.4	
Height	mm	1 420	1 295	
Width/diam.	mm	variable	550	
Overallwidth	mm	651	600	
Immersion heater	kW	2/6 (400V)	3 (230V)	
Warranty	years	2	25	
Coil rating	kW	40	19	
Weight (net)	kg	85	28	
Expansion vessel type	litres	External vessel	External vessel	

VITOCCELL 300-B

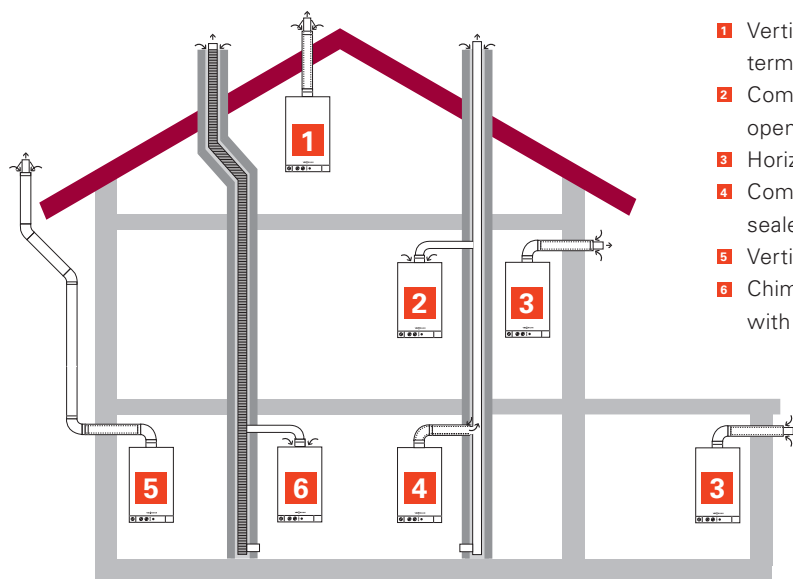


The Vitocell 300-B is a dual mode DHW cylinder with two indirect coils. Made from high alloy stainless steel, the Vitocell 300-B is a reliable and efficient solution for the integration of two energy sources. Available in two sizes, either 300 litres or 500 litres.

Twin coil	Vitocell 300-B 300		Vitocell 200-B 300	
Volumes	litres	300/500	210/250/300	
Material		SS 1.4571	SS Duplex	
Thickness/gauge	mm	2.8	1	
Max. pressure	bar	16	10	
Operating pressure	bar	10	3	
Insulation		PUR	PUR	
Heat loss in 24h	kW	1.17	1.9	
Height	mm	1 790	2 020	
Width/diam.	mm	633	550	
Overall width	mm	700	600	
Immersion heater	kW	2/6(400V)	3 (230V)	
Warranty	years	2	25	
Coil rating	kW	54	19	
Weight (net)	kg	100	46	
Expansion vessel type	litres	External vessel	External vessel	

Flue applications

Vitodens boilers can be installed in virtually all domestic applications, some examples are illustrated.



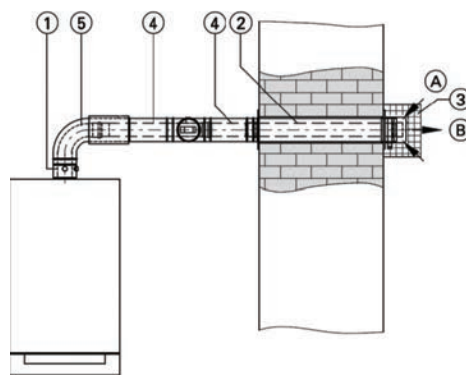
- 1 Vertical, concentric roof terminal – flat and pitched
- 2 Communal flue system – open flued
- 3 Horizontal concentric
- 4 Communal room sealed chimney
- 5 Vertical outside wall system
- 6 Chimney flue (open flued/balance) with flexible duct

The maximum flue length is the single biggest consideration. Maximum flue lengths are provided and have already allowed for 2 bends of 87° (including support bends). For each additional 90° elbow reduce the maximum flue length by 1 m, each additional 45° elbow by 0.5 m.

As a rule of thumb increasing the diameter of the flue from 60 mm to 80 mm will add approximately 15% to the maximum flue length, but please check with the Viessmann Technical Department if in doubt.

3 Horizontal wall terminal

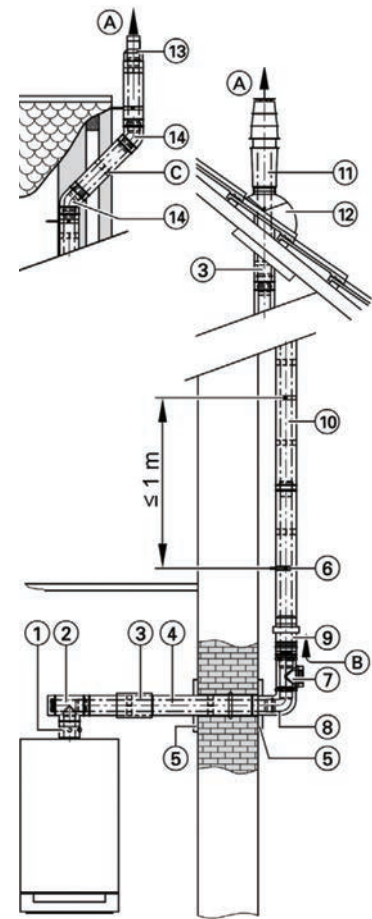
Part no.	60/100	80/125
1 Boiler flue connection		
2 Balanced flue external wall connection (incl. wall bezels)	7441467	7435862
3 Protective grille	7337276	7189821
4 Balanced flue extension pipe		
1 m long	7373224	7194321
0.5 m long	7373223	7194320
5 Balanced flue bend		
87°	7373226	7194323
2 x 45°	7373227	7194324
Fixing clamp	7176762	7176664
Horizontal flue terminal kit	7441467	
Flue terminal 1 m, 2 x wall seals, balanced flue bend 87°		



- (A) Combustion air
- (B) Flue gas

5 Routing over an external wall

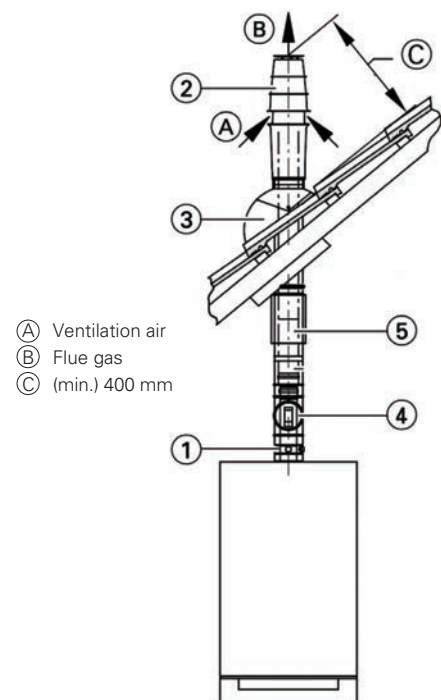
Part no.	60/100	80/125
① Boiler flue connection		
② Balanced flue inspection tee, 87° or Balanced flue inspection bend, 87°	7373229	7199782
③ Balanced flue sliding coupling (optional)	7373236	7194329
④ Balanced flue pipe 1.95 m long	7373225	7194322
1 m long	7373224	7194321
0.5 m long	7373223	7194320
⑤ Wall bezel	7176760	7176662
⑥ Fixing clamp	7176762	7176664
⑦ Balanced flue inspection piece, straight (optional)	7373228	7199781
External wall pack with	7373234	7194327
⑧ Balanced flue bend 87°		
⑨ Balanced flue air intake		
⑩ Balanced flue pipe 1.95 m long	7373225	7194322
1 m long	7373224	7194321
0.5 m long	7373223	7194320
⑪ Balanced flue roof outlet (with a high roof overhang above the roof) Black	7373230	7373271
Terracotta	7373231	7373272
⑫ Universal roof tile Lead Free Flashing Black	7452499	7452501
Lead Free Flashing Terracotta	7452500	7452502
⑬ External wall terminal (for a short roof overhang)	7176753	7176655
⑭ Balanced flue bend 45°	7373227	7194324
87°	7373226	7194323



- (A) Flue gas
- (B) Combustion air
- (C) Step in the external wall routing for a short roof overhang

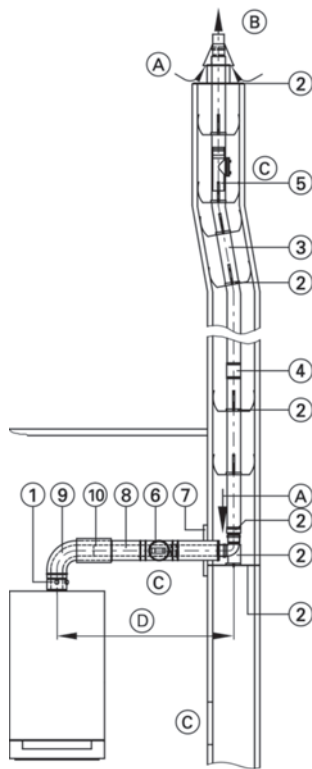
1 Vertical terminal for sloping or flat roofs

Part no.	60/100	80/125
① Boiler flue connection		
② Balanced flue roof outlet Black	7373230	7373271
Terracotta	7373231	7373272
③ Universal roof tile Lead Free Flashing Black	7452499	7452501
Lead Free Flashing Terracotta	7452500	7452502
or Flat roof collar	7248017	7248017
④ Balanced flue inspection piece, straight (optional)	7373228	7199781
⑤ Balanced flue sliding coupling (optional)	7373236	7194329
Balanced flue bend 87°	7373226	7194323
2 x 45°	7373227	7194324
Balanced flue pipe 1 m long	7373224	7194321
0.5 m long	7373223	7194320
Fixing clamp	7176762	7176664



- (A) Ventilation air
- (B) Flue gas
- (C) (min.) 400 mm

Flue location and ventilation

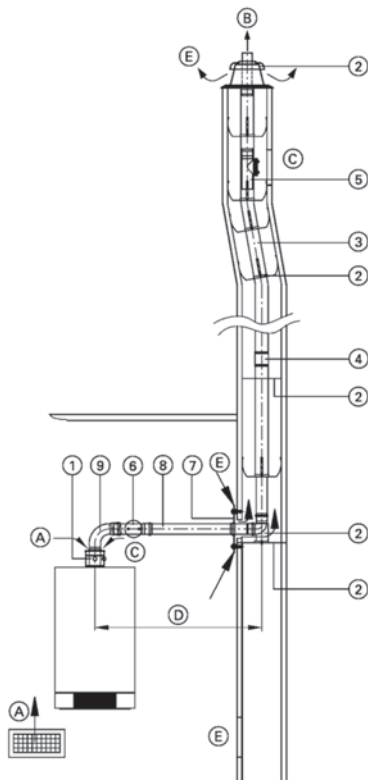


- (A) Combustion air
- (B) Flue gas
- (C) Inspection aperture
- (D) Connection piece

6 Balanced flue operation

Part no.	60/100	80/125
① Boiler flue connection		
② Standard shaft pack (PPS, flexible) comprising: <ul style="list-style-type: none"> ■ Support bend ■ Support rail ■ Shaft cover (PPS) ■ Spacers (5 pce.) or Standard shaft pack (metal/PPS, rigid) For twin flue chimneys (one flue for solid fuel boilers) comprising: <ul style="list-style-type: none"> ■ Support bend ■ Support rail ■ Shaft cover (metal) ■ Terminal pipe (stainless steel) ■ Spacers (5 pce.) 	7248206	7248213
Spacers (5 pce)	7190560	7147035
③ Flexible pipe , on a roll, 12.5 m long.	7248208	7248216
Flexible pipe , on a roll, 25 m long.	7248207	7248215
④ Connecting piece , for connecting residual lengths of the flexible flue pipe.	7248211	7248219
Pipe lowering attachment incl. 20 m rope.	7248212	7248214
⑤ Inspection piece , straight for installation in the flexible flue pipe.	7248210	7248218
⑥ Balanced flue inspection piece , straight.	7373228	7199781
⑦ Wall bezel	7176760	7176662
⑧ Balanced flue pipe 1 m long.	7373224	7194321
0.5 m long.	7373223	7194320
⑨ Balanced flue bend 87°	7373226	7194323
Chimney flue kit (12.5 m) comprising: parts 2, 3, 7, 8, 9	ZK00028	ZK00030

2 Open flue operation



- (A) Ventilation air
- (B) Flue gas
- (C) Inspection port
- (D) Connection piece
- (E) Ventilation aperture

Part no.	60/100	80/125
① Boiler flue connection		
② Standard shaft pack (PPS, flexible) comprising: <ul style="list-style-type: none"> ■ Support bend ■ Support rail ■ Shaft cover (PPS) ■ Spacers (5 pce.) or Standard shaft pack (metal/PPS, rigid) For twin flue chimneys (one flue for solid fuel boilers) comprising: <ul style="list-style-type: none"> ■ Support bend ■ Support rail ■ Shaft cover (metal) ■ Terminal pipe (stainless steel) ■ Spacers (5 pce.) 	7248206	7248213
Spacers (5 pce)	7190560	7147035
③ Flexible pipe , on a roll, 12.5 m long.	7248208	7248216
Flexible pipe , on a roll, 25 m long.	7248207	7248215
④ Connecting piece , for connecting residual lengths of the flexible flue pipe.	7248211	7248219
Pipe lowering attachment incl. 25 m rope.	7248212	7248214
⑤ Inspection piece , straight for installation in the flexible flue pipe.	7248210	7248218
⑥ Inspection piece , straight	9373228	7248312
⑦ Vent bezel	7176728	7176634
⑧ Pipe 1 m long	7373214	7194310
0.5 m long	7373215	7194311
⑨ Bend 87°	7373218	7194314
45° (2 pce)	7373219	7194315
or Inspection tee 87°	7373217	7194313
Stainless steel extension for shaft cover 380 mm long (metal/PPS, rigid)	7373278	7373278
Chimney flue kit (12.5 m) comprising: parts 2, 3, 7, 8, 9	ZK00029	ZK00031

Flue lengths

2 Max. total flue length up to the boiler flue connection (at system temperature 50/30°C)						
4	Vitodens 050-W Rated output range (kW)				6.5	8.8
	max. length (m) - system size 60/100				29.0	35.0
5	Vitodens 100-W Rated output range (kW)				6.5	8.8
	max. length (m) - system size 60/100				19.0	35.0
6	Vitodens 100-W Open Vent Rated output range (kW)	7.9	7.9		6.5	8.8
	max. length (m) - system size 60/100	13.0	16.0	19.0	26.0	35.0
	Vitodens 111-W Rated output range (kW)				6.5	8.8
	max. length (m) - system size 60/100	8/10	8/10	8/10	8/10	8/10
	Vitodens 200-W Rated output range (kW)				3.2	5.2
	max. length (m) - system size 60/100				19.0	26.0
	Vitodens 222-F Rated output range (kW)				3.2	5.2
	max. length (m) - system size 60/100				19.0	26.0
	Vitodens 242-F Rated output range (kW)				3.2	5.2
	max. length (m) - system size 60/100				19.0	26.0

Allowed for are 2 bends 87° (incl. support bends).

1 Max. total flue length up to the boiler flue connection (at system temperature 50/30°C)						
3	Vitodens 050-W Rated output range (kW)				6.5	8.8
	max. length (m) - system size 60/100				29.0	35.0
	Vitodens 100-W Rated output range (kW)				6.5	8.8
	max. length (m) - system size 60/100				19.0	35.0
	Vitodens 100-W Open Vent Rated output range (kW)	7.9	7.9		6.5	8.8
	max. length (m) - system size 60/100	13.0	16.0	19.0	26.0	35.0
	Vitodens 111-W Rated output range (kW)				6.5	8.8
	max. length (m) - system size 60/100	8/10	8/10	8/10	8/10	8/10
	Vitodens 200-W Rated output range (kW)				3.2	5.2
	max. length (m) - system size 60/100				19.0	26.0
	Vitodens 222-F Rated output range (kW)				3.2	5.2
	max. length (m) - system size 60/100				19.0	26.0
	Vitodens 242-F Rated output range (kW)				3.2	5.2
	max. length (m) - system size 60/100				19.0	26.0

Allowed for are 2 bends 87° (incl. support bends).

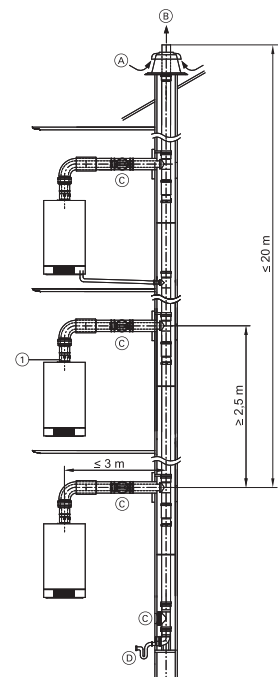
Vitodens 100-W Combination & System

For concentric or balanced flue systems the max. flue length can be up to 19 m.
To match the boiler output to the flue system length, a concentric factor has to be set - see installation instructions.

Communal Flue System (CFS)

A CFS system could be designed as shown. To be able to provide correct parts it is important to know how the boiler is linked to the CFS duct.

System size	60	80
Parallel adapter ø 60/100mm - ø 60/60 mm	7418011	
For separate routing of flue gas and ventilation air		
Parallel adapter ø 60/100mm - ø 60/60 mm		7418011
For separate routing of flue gas and ventilation air		



A Ventilation air
B Flue gas
C Inspection port
D Condensate drain with siphon

Plume management kit

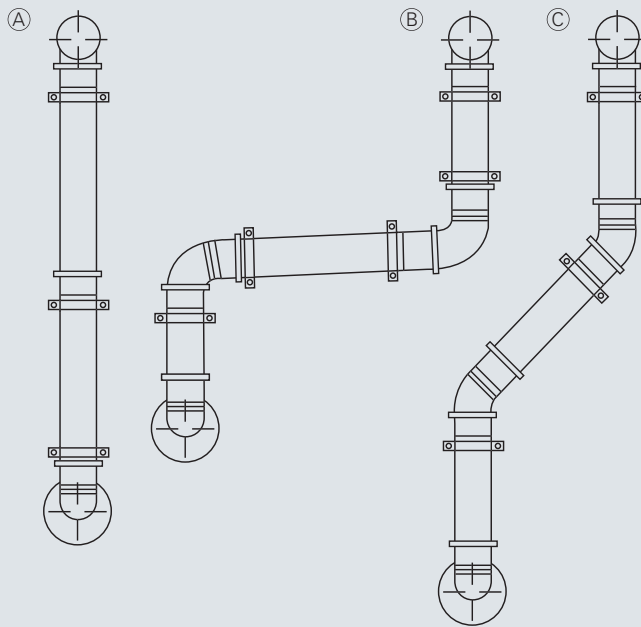
The plume kit enables the relocation of the flue outlet of a standard horizontal flue system to another position and is available as an optional extra.

- Ensure the maximum length of 3 m (externally) and 7 m (internally) is not exceeded
- The maximum length is reduced by 1 m when using a further 87° bend or 2 x 45° bends
- Deduct 3 m from the maximum possible standard concentric horizontal flue length and add the standard plume kit maximum length to give maximum length of entire flue system. ie. 6 m - 3 m + 2 m = 5 m maximum

The standard plume kit comprises of the following parts:

- 87° connection to horizontal terminal
- 1 m pipe extension
- 87° flue outlet elbow with bird mesh
- Fixing clamps

Typical routing options



Installed to prevent nuisance pluming across the window



Kit contents

Item	Part no.
Ⓐ Plume kit standard delivery 2 m max. length	7373238
Ⓑ Plume kit standard delivery additional options	
2 x 87° bends	7373267
1 pipe 1 m long	7373268
Ⓒ Plume kit standard delivery additional options	
2 x 45° bends	7373266
1 pipe 1 m long	7373268
Fixing clamps	7246572

Controls

Viessmann boilers have the added benefit of advanced control technology.

Viessmann controls are easy to install, maintain and operate and benefit from fault logging and diagnostic systems. They switch easily between Winter and Summer settings and some models have useful short cuts, including holiday, party and economy settings. All Vitodens boilers will operate with external controls, Viessmann and non Viessmann.

Lambda Pro Control

The Lambda Pro combustion controller works alongside the burner to constantly monitor the air to gas ratio. Instead of the gas mix remaining fixed from installation, the mix is automatically adjusted to maintain the correct ratio - in a similar way to the fuel management system in your car engine. This also means that on-site commissioning time is reduced.

The Lambda Pro is designed to work efficiently irrespective of the quality of the gas - a factor which will become more and more important as international gas supplies become less reliable.

The control replaces the traditional gas valve and changing to LPG takes just a few seconds - with no replacement parts! The Lambda Pro is an integral component of the Vitodens 200-W, Vitodens 222-F and Vitodens 242-F.

Weather Compensation

Weather compensation controls are a great, low cost way to make a boiler operate more efficiently. They can save up to 15% of annual fuel bills – that's on top of the big savings that you get from changing to a condensing boiler.

The boiler is connected to a small sensor on the outside of the building. When the temperature changes outside, the boiler responds and starts to increase or decrease the radiator temperature, to compensate. This pro-active mechanism means that people inside the building won't even notice that the temperature outside has changed. These constant small changes also mean that the boiler is

able to operate at the minimum temperature required to keep the rooms warm. This keeps the return temperature as low as possible and a return temperature of 57°C or less means the boiler can condense as it is designed to. Weather compensation maximises the condensing period of the boiler and results in significant fuel savings.

Control unit with colour touchscreen and energy cockpit

The new Vitotronic 200 control unit in the Vitodens 200 series makes energy consumption transparent, as it provides the system user with continuous energy updates. It also informs users about boiler power and gas consumption.

Convenient operation at your fingertips

The 5-inch touchscreen clearly displays all important data in the form of colourful pictograms and text. The main control functions are immediately accessible via Favourites. Along with clear menu structures, this makes operating the heating system particularly easy and convenient.

Energy cockpit for smart energy management

Along with the attractive design and the high level of operating convenience, the new display provides comprehensive control of the gas consumption for heating and domestic hot water heating in the form of an energy cockpit. If a solar thermal system is connected, solar yields are also captured and displayed. Colourful histograms also display all data optionally as daily, weekly, monthly or annual values. This enables users to comprehensively control and influence their consumption.

Heating controls for smart phone

Please refer to:

www.viessmann.co.uk/en/viessmann-apps/vicare-app.html



Scan here for more information



5 inch colour touchscreen control with energy cockpit

Vitotrol 100 control system for Vitodens 100-W and 100-W Compact

Thermostat

- Vitotrol 100 room thermostat. Basic room thermostat with switched output (two-point output) (a)
- Vitotrol 100 UTA RF wireless programmable room thermostat. Analogue 24 hour, one channel clock (c)
- Vitotrol 100 UTDB RF2 wireless programmable room thermostat. Digital 7 day, two channel clock with large LCD display and selector for adjusting permanent comfort, permanent set back and frost protection (d)
- Vitotrol 100 open therm. 7 day single channel wired programmable room controller. For use with the Vitodens 050/100/111-W.

Timer

- Analogue plug-in clock for operation with Vitotrol 100 room thermostat. Single channel plug-in time switch. Heating program selector switch with switched output for 24 hour programmable heating operation (e)
- Digital plug-in clock for operation with Vitotrol 100 room thermostat. Two channel plug-in time switch for heating and DHW. 7 day programming, with up to 42 switching programs and adjustable holiday program (b)

Vitotrol 200 RF control system for Vitodens 200-W, 222-F and 242-F

- Vitotrol 200 RF wireless remote control (f) with LCD display for 1 heating circuit for use with Vitotronic 200
- Repeater (optional signal booster for systems with poor reception)
- Receiver unit that operates up to 3 Vitotrol 200 RF units

Vitotrol 300-A control system for Vitodens 200-W, 222-F and 242-F

- Vitotrol 300-A wireless remote control (g) with LCD display for 3 heating circuits for use with Vitotronic 200
- Room temperature sensor (optional)
- Up to 2 remote control units can be connected to the boiler control unit, Vitotronic 200

Vitotronic control systems for Vitodens 200-W, 222-F and 242-F, with economic energy management for all system sizes

Vitotronic control units think for you – from installation through to operation and maintenance. Whether used in an apartment, a detached home or in large systems, they offer the optimum solution for every need. As digital control systems with communication capability they ensure the economical and reliable operation of your heating system with well thought out electronic management.

One control system for all boilers

All Viessmann boilers, whether wall mounted units, small freestanding boilers or larger boilers – are all controlled by one Vitotronic. That means: common parts throughout the entire boiler range, standardised assembly steps and only a few universal spare parts. This substantially simplifies installation, maintenance and service.

The innovative Viessmann modular design combines the basic chassis and function units to create various control unit versions – in each case matching the boiler and the individual requirements.



Part no. 7141709



Part no. 7454528



Part no. 7454521



Part no. 7537234

Part no. 7522678 (100/111-W)
Part no. 7522677 (050-W)

Part no. 7511618



The Viessmann Academy

The aim of the Viessmann Academy is to provide knowledge on leading technology to professionals in the heating industry, thereby taking a vital role in the development of skill sets and the establishment of new, innovative technologies in the market place.

The Academy has been a major pillar of the Viessmann philosophy since the 1960s and each year trains more than 92 000 installers across the world.

Training courses in the United Kingdom

The Viessmann UK Academy is based at the headquarters in Telford, Shropshire, and also has external training locations around the country, currently in Liskeard, Lincoln, Aberdeen, Bolton, Wishaw, Cambourne Cornwall, Norwich, Welwyn Garden City, Salisbury and Swansea.

Here, the Viessmann Academy trains installers, merchants, engineers, specifiers and consultants, not only on the current product range but also on many product types and topics.

To request a place on a Viessmann training course, please contact your Area Business Manager. To find their contact details, call 01952 675000.



Scan here
to book online

Viessmann Academy course offer



Domestic boiler courses

Gas-fired Combination and System boilers Vitodens 100 and 050 range, including 050-W, 100-W and 111-W
Gas-fired Vitodens 200 range, including 200-W, 222-F and 242-F, and Vitotronic controls



Commercial boiler courses

Gas-fired commercial System boiler Vitodens 200-W
Combined heat and power (CHP)
Control technology including cascade controls

CPD courses on request (CIBSE Accredited)

District heating schemes
Combined heat and power (CHP)
System design for high and low water content boilers



Solar courses

Practical solar thermal course including the Vitodens 242-F solar heating tower



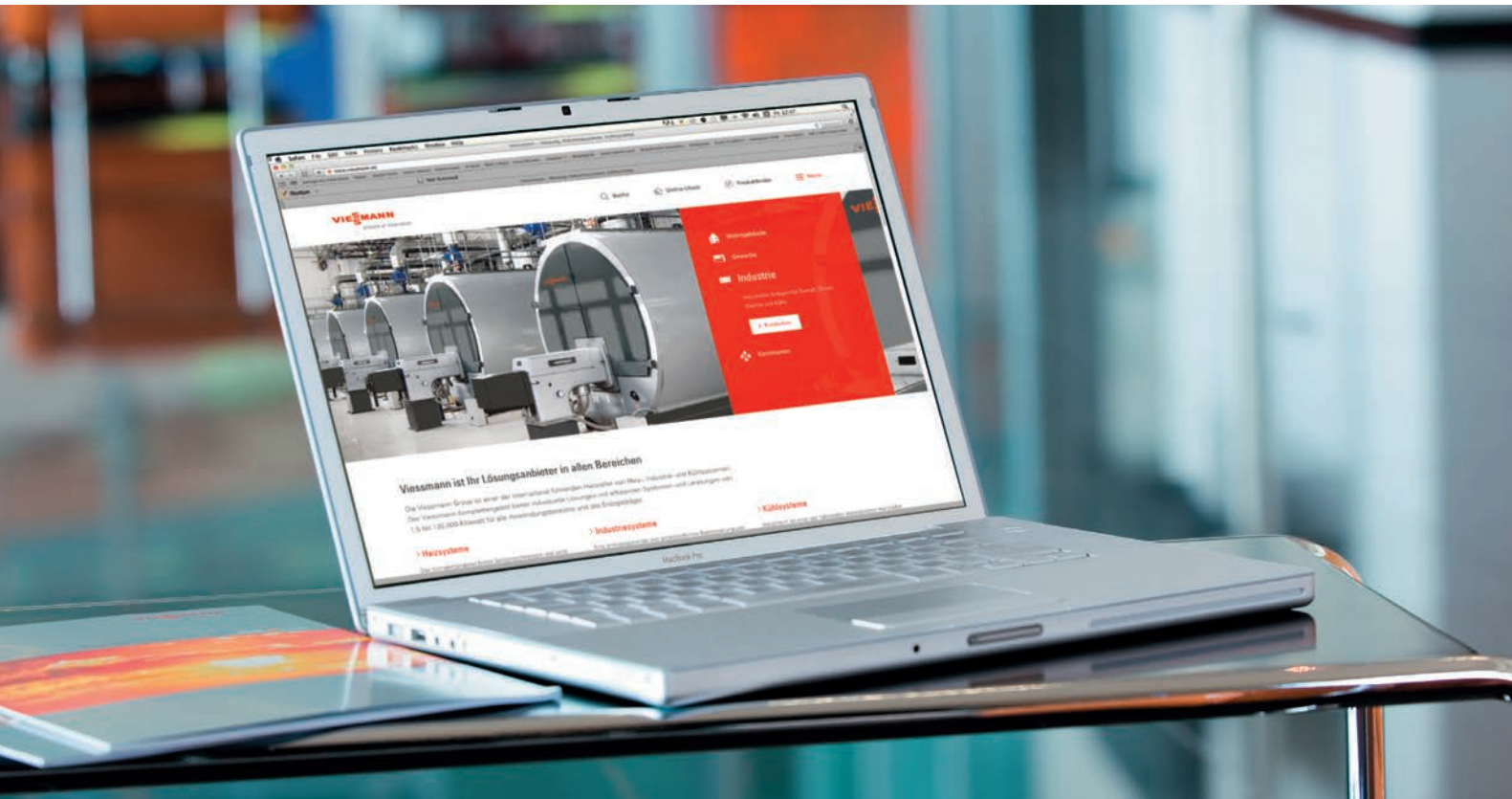
Biomass boiler courses

Introduction to biomass boilers
Vitoligno range



Heat pump courses

Introduction to heat pumps
Vitocal 200 range including ground source and air source



Contact us

Viessmann Ltd, Hortonwood 30, Telford, Shropshire, TF1 7YP

Telephone

01952 675000

Fax

01952 675040

Email

info-uk@viessmann.com

Sales

Telephone – Domestic

01952 675010

Email

domsales-uk@viessmann.com

Telephone – Commercial

01952 675090

Email

comsales-uk@viessmann.com

Fax

01952 678600

Training academy

Telephone

01952 675032

Email

academy-uk@viessmann.com



Scan here
to book online

Technical helpline

Telephone

01952 675070

Email

technical-uk@viessmann.com



Scan here
for technical documents

ErP advice

Email

erp-advice@viessmann.com



Scan here
for ErP calculator

After sales

Telephone

01952 675060

Email

aftersales-uk@viessmann.com

Spares

Telephone

01952 675013

Email

spares-uk@viessmann.com



Scan here
for Spares App

Online

Register online for engineer service requests and warranties

www.viessmann.co.uk

Viessmann – climate of innovation

Viessmann is one of the world's leading manufacturers of intelligent, convenient and efficient systems for heating, cooling and decentralised power generation.

As a third generation family run business, Viessmann has been supplying highly efficient and clean heating systems for many decades.

A strong brand creates trust

Together with our brand label, our key brand message is an identifying feature throughout the world. "Climate of innovation" is a promise on three levels: It is a commitment to a culture of innovation. It is also a promise of enhanced product benefits and, at the same time, an obligation to protect the environment.

Acting in a sustainable manner

For Viessmann, taking responsibility signifies a commitment to acting sustainably.

This means harmonising ecology, economic concerns and social responsibility so that

the needs of today are met without compromising the quality of life of future generations.

We consider climate protection, environmental responsibility and resource efficiency to be key priorities throughout our company, which has more than 11,600 employees worldwide.

Example of Best Practice

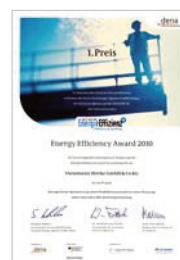
With its strategic sustainability project, Viessmann demonstrates at its own head office in Allendorf (Eder) that the energy and climate policy goals set for 2050 can in fact be achieved today with commercially available technology. The results speak for themselves:

- Expansion of renewables to 60 percent
- CO₂ emissions reduced by 80 percent

The long term goal is for the company to meet all its own heating energy requirements by sustainable means.



2009/2011/2013:
German Sustainability Award
for Production/Brand/Resource
Efficiency



Energy Efficiency Award 2010

Viessmann Group

Company details

- Established in: 1917
- Employees: 11,600
- Group turnover: 2.2 billion euros
- Export share: 56 percent
- 22 production companies in 11 countries
- 74 countries with sales companies and branches
- 120 sales offices worldwide

The comprehensive product range from the Viessmann Group for all energy sources and output ranges

- Boilers for oil or gas
- Combined heat and power generation
- Hybrid appliances
- Heat pumps
- Wood combustion technology
- Biogas production plants
- Biogas upgrading plants
- Solar thermal
- Photovoltaics
- Accessories
- Refrigeration systems

Vitodens technical specification

Vitodens 100-W								
Appliance		System B1HC				Combi B1KC		
Model	Unit	19	26	30	35	26	30	35
Rated CH Output								
At Tf/Tr 50/30 °C (condensing)	KW	4.7 – 19	4.7 – 26	5.8 – 30	5.8 – 35	4.7 – 26	5.8 – 30	5.8 – 35
At Tf/Tr 80/60 °C (non-condensing)	KW	4.3 - 17.4	4.3 - 23.8	5.3 - 27.3	5.3 - 32	4.7 - 23.8	5.3 - 27.3	5.3 - 32
Rated central heating input (net)	KW	6.1 - 17.8	6.1 - 27.1	8.2 - 31.3	8.2 - 36.5	6.1 - 17.8	8.2 - 31.3	8.2 - 36.5
Domestic hot water output range	KW	n/a	n/a	n/a	n/a	5.9 - 26	8.0 - 30	8.0 - 35
DHW heating efficiency (ErP)	%	n/a	n/a	n/a	n/a	82	81	81
DHW heating energy efficiency		n/a	n/a	n/a	n/a	A	A	A
Max. nat gas rate (CH mode)	m3/h	1.9	2.6	3	3.5	2.6	3	3.5
Max LPG	kg/H	1.4	1.9	2.2	2.6	1.9	2.2	2.6
Gas supply pressure								
Natural gas		20	20	20	20	20	20	20
LPG		37	37	37	37	37	37	37
Max permissible gas supply pressure								
Natural gas		25	25	25	25	25	25	25
LPG		45	45	45	45	45	45	45
Efficiency (SEDBUK 2009 / 2012)								
Full Load	100%	97.92	97.95	98.02	97.91	97.95	98.02	97.91
Part Load	30%	108.7	108.6	108.2	109.3	108.6	108.2	109.3
Seasonal efficiency (SEDBUK 2009 / 2012)		89.2	89.2	89	89.4	89.1	88.9	89.3
ErP Efficiency								
Heating seasonal efficiency (ErP)	%	94	94	94	94	94	94	94
Energy efficiency class (ErP)		A	A	A	A	A	A	A
NOx classification	class	5 (<39 mg/kWh)						
Noise (sound power level)		48 dB	49 dB	49 dB	48 dB	49 dB	49 dB	48 dB
DHW/CH								
DHW performance @ 35°C temp. rise	l/min	n/a	n/a	n/a	n/a	10	12	14
DHW temp. range	°C	n/a	n/a	n/a	n/a	30-60	30-60	30-60
Maximum mains water inlet pressure	bar	n/a	n/a	n/a	n/a	10	10	10
Minimum mains water inlet pressure for max DHW heat output	bar	n/a	n/a	n/a	n/a	0.5	0.5	0.5
Minimum mains water inlet pressure for operation	bar	n/a	n/a	n/a	n/a	0.5	0.5	0.5
Minimum DHW flow rate for operation	l/min	n/a	n/a	n/a	n/a	0.5	0.5	0.5
Minimum CH system pressure - cold	bar	0.5	0.5	0.5	0.5	0.5	0.5	0.5
Maximum CH system pressure - hot	bar	3	3	3	3	3	3	3
Cylinder capacity		n/a	n/a	n/a	n/a	n/a	n/a	n/a
CH flow temp. range	°C	30-80	30-80	30-80	30-80	30-80	30-80	30-80
General specification								
Integral expansion vessel capacity	ltr	8	8	8	8	8	8	8
Integral expansion vessel pre-charge pressure	bar	0.75	0.75	0.75	0.75	0.75	0.75	0.75
Total water capacity	ltr	2.8	2.8	3.4	3.4	2.8	3.4	3.4
Lift weight	kg	35	36	37	37	36	38	38
Total weight (including packaging) Kg	kg	37	38	39	39	38	40	40
Electricity supply		230v 50 HZ	230v 50 HZ	230v 50 HZ	230v 50 HZ	230v 50 HZ	230v 50 HZ	230v 50 HZ
Internal fuse	A	2.5	2.5	2.5	2.5	2.5	2.5	2.5
Maximum power consumption	W	84	92	98	108	97	105	119
Water protect rating		IP X4D	IP X4D	IP X4D	IP X4D	IP X4D	IP X4D	IP X4D
Flue temp. @ 50/30 - max CH output	°C	45	45	45	45	45	45	45
Flue temp. @ 50/30 - min CH output	°C	35	35	35	35	35	35	35
Flue temp. @ 80/60 - max CH output	°C	68	68	68	69	68	68	70
Flue products mass flow rate - NG - max CH output	kg/h	30.1	41.1	49.0	56.9	41.1	49.0	56.9
Flue products mass flow rate - NG - min CH output	kg/h	14.6	14.6	17.6	17.6	14.6	17.6	17.6
Flue products mass flow rate - LPG - max CH output	kg/h	34	46.4	54.0	62	46.4	54.0	62.0
Flue products mass flow rate - LPG - min CH output	kg/h	15.9	15.9	19.4	19.4	15.9	19.4	19.4
Max. gas pressure NG	mbar	20 - 25	20 - 25	20 - 25	20 - 25	20 - 25	20 - 25	20 - 25
Gas Council number		41-819-36	41-819-37	41-819-38	41-819-39	47-819-33	47-819-34	47-819-35
Product ID		CE-0085 BT0029						
Dimensions/Connections								
Inner flue duct diameter	mm	60	60	60	60	60	60	60
Outer flue duct diameter	mm	100	100	100	100	100	100	100
Boiler dimensions (height x width x depth)	mm	700 x 400 x 350						
DHW outlet & mains cold inlet		n/a	n/a	n/a	n/a	15	15	15
CH flow & return	mm	22	22	22	22	22	22	22
Condensate	mm	22	22	22	22	22	22	22
Gas	mm	22	22	22	22	22	22	22
PRV outlet	mm	n/a	n/a	n/a	n/a	n/a	n/a	n/a
Max horizontal flue length	m	19	13.5	13.5	17	13.5	13.5	17
Max vertical flue length	m	19	13.5	13.5	17	13.5	13.5	17



Vitodens 100-W Compact WB1B					Vitodens 050-W BPJD			
Open Vent					Combi			
13	16	19	26	35	29	35		
7.9-13	7.9-16	7.9-19	7.9-26	11.0-35	6.5-24	8.8-33		
7.2-11.9	7.2-14.6	7.2-17.3	7.2-23.7	10.0-31.9	5.9-21.9	8.0-30.1		
7.4-12.2	7.4-15.0	7.4-17.8	7.4-24.3	10.3-32.7	6.1-22.4	8.2-30.9		
n/a	n/a	n/a	n/a	n/a	5.9-29	8.0-35		
n/a	n/a	n/a	n/a	n/a	80	78		
n/a	n/a	n/a	n/a	n/a	A	A		
1.3	1.6	1.9	2.6	3.5	2.37	3.28		
0.9	1.1	1.4	1.9	2.6	1.71	2.36		
20	20	20	20	20	20	20		
37	37	37	37	37	37	37		
25	25	25	25	24	25	25		
45	45	45	45	45	45	45		
97.7	97.8	97.7	97.7	98.0	97.4	97.5		
108.4	108.4	108.4	108.4	109.0	108.8	108.7		
89	89.1	89	89.3	88.7	89	89		
94	94	94	94	94	93	93		
A	A	A	A	A	A	A		
5 (<39 mg/kWh)					5 (<39 mg/kWh)			
48 dB	48 dB	49 dB	49 dB	50 dB	45 dB	48 dB		
n/a	n/a	n/a	n/a	n/a	12	14		
n/a	n/a	n/a	n/a	n/a	30-60	30-60		
n/a	n/a	n/a	n/a	n/a	10	10		
n/a	n/a	n/a	n/a	n/a	1	1		
n/a	n/a	n/a	n/a	n/a	0.1	0.1		
n/a	n/a	n/a	n/a	n/a	2.1	2.1		
n/a	n/a	n/a	n/a	n/a	0.8	0.8		
n/a	n/a	n/a	n/a	n/a	3	3		
n/a	n/a	n/a	n/a	n/a	n/a	n/a		
30-75	30-75	30-75	30-75	30-75	30-80	30-80		
n/a	n/a	n/a	n/a	n/a	8	8		
n/a	n/a	n/a	n/a	n/a	0.75	0.75		
3.1	3.1	3.1	3.1	3.1	2.2	2.9		
25	25	25	25	25	37	39		
30	30	30	30	30	39	41		
230v 50 HZ	230v, 50 HZ	230v, 50 HZ	230v, 50 HZ	230v, 50 HZ	230v, 50 HZ	230v, 50 HZ		
2.5	2.5	2.5	2.5	2.5	2.5	2.5		
45	50	55	60	65	118	142		
IP X4D	IP X4D	IP X4D	IP X4D	IP X4D	IPX4D	IPX4D		
45	45	45	45	45	45	45		
35	35	35	35	35	35	35		
68	68	68	69	69	68	68		
n/a	n/a	n/a	n/a	n/a	n/a	n/a		
n/a	n/a	n/a	n/a	n/a	n/a	n/a		
n/a	n/a	n/a	n/a	n/a	n/a	n/a		
n/a	n/a	n/a	n/a	n/a	n/a	n/a		
20-25	20-25	20-25	20-25	20-25	25	25		
41-819-21	41-819-22	41-819-23	41-819-24	41-819-25	47-819-31	47-819-32		
CE- 0085 BT 0029					CE-0085CP0029			
60	60	60	60	60	60	60		
100	100	100	100	100	100	100		
600x375x285				600 x 375 x 340		707 x 400 x 350		
n/a	n/a	n/a	n/a	n/a	15	15		
n/a	n/a	n/a	n/a	n/a	15	15		
22	22	22	22	22	22	22		
22	22	22	22	22	22	22		
15	15	15	15	15	n/a	n/a		
8	8	8	8	8	15	20		
10	10	10	10	10	15	20		

Vitodens technical specification

Vitodens 200-W								
Model	Unit	System B2HB				Combi B2KB		
		19	26	30	35	26	30	35
Rated CH Output								
At Tf/Tr 50/30 °C (condensing)	KW	1.9-19	2.6-26	2.6-30	1.8-35	2.6-26	2.6-30	1.8-35
At Tf/Tr 80/60 °C (non-condensing)	KW	1.7-17.6	2.4-24.1	2.4-28	1.6-31.7	2.4-24.1	2.4-28	1.6-32.5
Rated central heating input (net)	KW	1.8-17.9	2.5-24.7	4.9-28.5	4.9-33.0	4.9-24.7	4.9-28.5	4.9-33.0
Domestic hot water output range	KW	n/a	n/a	n/a	n/a	4.7-29.7	4.7-30.5	4.7-34.0
DHW heating efficiency (ErP)	%	n/a	n/a	n/a	n/a	80	81	81
DHW heating energy efficiency		n/a	n/a	n/a	n/a	A	A	A
Max. nat gas rate (CH mode)	m ³ /h	1.89	2.61	3.01	3.49	3.23	3.31	3.69
Max LPG	kg/H	1.4	1.93	2.22	2.57	2.38	2.45	2.73
Gas supply pressure								
Natural gas		20	20	20	20	20	20	20
LPG		37	37	37	37	37	37	37
Max permissible gas supply pressure								
Natural gas		25	25	25	25	25	25	25
LPG		45	45	45	45	45	45	45
Efficiency (SEDBUK 2009 / 2012)								
Full Load	100%	97.53	97.95	97.91	97.72	97.95	97.91	97.72
Part Load	30%	108.5	108.5	108.6	108.8	108.5	108.6	108.8
Seasonal efficiency (SEDBUK 2009 / 2012)		89	89.1	89.1	89.2	89	89	89.1
ErP Efficiency								
Heating seasonal efficiency (ErP)	%	92	92	92	92	92	92	92
Energy efficiency class (ErP)		A	A	A	A	A	A	A
NOx classification	class	5 (<39 mg/kWh)						
Noise (sound power level)		32 dB	36 dB	36 dB	36 dB	36 dB	36 dB	36 dB
DHW/CH								
DHW performance @ 35°C temp. rise	l/min	n/a	n/a	n/a	n/a	10.3	12.3	14.3
DHW temp. range	°C	n/a	n/a	n/a	n/a	30-60	30-60	30-60
Maximum mains water inlet pressure	bar	n/a	n/a	n/a	n/a	10	10	10
Minimum mains water inlet pressure for max DHW heat output	bar	n/a	n/a	n/a	n/a	1	1	1
Minimum mains water inlet pressure for operation	bar	n/a	n/a	n/a	n/a	0.3	0.3	0.3
Minimum DHW flow rate for operation	l/min	n/a	n/a	n/a	n/a	3	3	3
Minimum CH system pressure - cold	bar	0.5	0.5	0.5	0.5	0.5	0.5	0.5
Maximum CH system pressure - hot	bar	3	3	3	3	3	3	3
Cylinder capacity		n/a	n/a	n/a	n/a	n/a	n/a	n/a
CH flow temp. range	°C	30-75	30-75	30-75	30-75	30-75	30-75	30-75
General specification								
Integral expansion vessel capacity	ltr	10	10	10	10	10	10	10
Integral expansion vessel pre-charge pressure	bar	0.75	0.75	0.75	0.75	0.75	0.75	0.75
Total water capacity	ltr	7.2	7.8	8.2	8.2	7.8	8.2	8.2
Lift weight	kg	40	41.6	41.6	47	46	48	48
Total weight (including packaging) Kg	kg	48	50	52	52	51	53	53
Electricity supply		230v 50 Hz	230v 50 Hz	230v 50 Hz	230v 50 Hz	230v 50 Hz	230v 50 Hz	230v 50 Hz
Internal fuse	A	6.3	6.3	6.3	6.3	6.3	6.3	6.3
Maximum power consumption	W	80	86	95	110	108	119	123
Water protect rating	IPX4D	IPX4D	IPX4D	IPX4D	IPX4D	IPX4D	IPX4D	IPX4D
Flue temp. @ 50/30 - max CH output	°C	45	45	45	45	45	45	45
Flue temp. @ 50/30 - min CH output	°C	35	35	35	35	35	35	35
Flue temp. @ 80/60 - max CH output	°C	68	70	70	70	70	70	70
Flue products mass flow rate - NG - max CH output	kg/h	33.3	47.3	54.2	63.2	47.3	54.2	63.2
Flue products mass flow rate - NG - min CH output	kg/h	8.4	11.8	15.7	15.7	11.8	15.7	15.7
Flue products mass flow rate - LPG - max CH output	kg/h	32.5	46.4	58.5	68.2	46.4	58.5	68.2
Flue products mass flow rate - LPG - min CH output	kg/h	8.2	11.5	15.4	15.4	11.5	15.4	15.4
Max. gas pressure NG	mbar	20-25	20-25	20-25	20-25	20-25	20-25	20-25
Gas council number		41-819-32	41-819-33	41-819-34	41-819-35	47-819-28	47-819-29	47-819-30
Product ID		CE-0085CN0050						
Dimensions/Connections								
Inner flue duct diameter	mm	60	60	60	60	60	60	60
Outer flue duct diameter	mm	100	100	100	100	100	100	100
Boiler dimensions (height x width x depth)	mm	850 x 450 x 375						
DHW outlet & mains cold inlet		n/a	n/a	n/a	n/a	15	15	15
CH flow & return	mm	22	22	22	22	22	22	22
Condensate	mm	22	22	22	22	22	22	22
Gas	mm	20-24	20-24	20-24	20-24	20-24	20-24	20-24
PRV outlet	mm	15	15	15	15	15	15	15
Max horizontal flue length	m	10	10	10	10	10	10	10
Max vertical flue length	m	10	10	10	10	10	10	10



Vitodens 111W B1LD		Vitodens 222-F B2TB			Vitodens 242-F B2UB		
Storage Combi		Storage Combi			Solar DHW Storage		
26	35	19	26	35	19	26	
4.7-26	5.8-35	1.9-19	2.6-26	1.8-35	1.9-19	2.6-26	
4.3-23.8	5.3-32	1.7-17.6	2.4-24.1	1.6-32.5	1.7-17.6	2.4-24.1	
6.1-30.5	8.2-36.5	1.8-17.9	2.5-30.5	1.7-34.9	1.8-17.9	2.4-30.5	
4.3-29.6	5.3-34	1.7-17.2	2.4-29.3	1.6-33.5	1.7-17.2	2.4-29.3	
80	77	80	78	77	80	80	
A	B	A	B	B	A	A	
3.23	3.86	1.89	3.23	3.69	1.89	3.23	
2.39	2.86	1.4	2.38	2.73	1.4	2.39	
20	20	20	20	20	20	20	
37	37	37	37	37	37	37	
25	25	25	25	25	25	25	
45	45	45	45	45	45	45	
97.95	97.91	97.53	97.95	97.72	97.53	97.95	
108.6	109.3	108.5	108.5	108.8	108.5	108.5	
89.5	89.7	89.3	89.4	89.5	89.3	89.4	
94	94	92	92	92	92	92	
A	A	A	A	A	A	A	
5 (<39 mg/kWh)							
49 dB	49 dB	41 dB	45 dB	48 dB	40 dB	43 dB	
18	18	18	20	20	16.4	19.0	
30-60	30-60	30-60	30-60	30-60	30-60	30-60	
10	10	10	10	10	10	10	
1	1	>0.1	>0.1	>0.1	0.1	0.1	
0.1	0.1	0.1	0.1	0.1	0.1	0.1	
0.5	0.5	0.1	0.1	0.1	0.1	0.1	
0.5	0.5	0.5	0.5	0.5	0.5	0.5	
3	3	3	3	3	3	3	
46	46	100	100	130	170	170	
30-80	30-80	30-75	30-75	30-75	30-75	30-75	
8	8	12	12	12	12	12	
0.75	0.75	0.75	0.75	0.75	0.75	0.75	
2.8	2.8	2.8	3.4	3.4	170	170	
62	64	105	148	163	161	165	
67	69	109	152	167	166	170	
230v, 50 Hz	230v, 50 Hz	230v, 50 Hz	230v, 50 Hz	230v, 50 Hz	230v, 50 Hz	230v, 50 Hz	
2.5	2.5	6.3	6.3	6.3	6.3	6.3	
141	153	126	148	163	160	209	
IPX4D	IPX4D	EN 60529	EN 60529	EN 60529	IPX4D		
45	45	45	45	45	45	45	
35	35	35	35	35	35	35	
65	68	68	68	70	68	68	
47.3	63.2	31.8	54.3	62.1	31.8	43.9	
11.8	15.7	5.5	8.7	8.7	5.5	8.7	
46.4	68.2	30.2	51.5	58.9	30.2	41.7	
11.5	15.4	7.6	14	14	7.6	14	
25	25	20-25	20-25	20-25	20-25	20-25	
47-819-24	47-819-25	47-819-15	47-819-16	47-819-17	47-819-18	47-819-19	
CE-0085BT0029		CE-0085 BU 0051			CE-0085 BU 0051		
60	60	60	60	60	60	60	
100	100	100	100	100	100	100	
900x600x480		1425x600x595			1875x600x595		
15	15	15	15	15	15	15	
22	22	22	22	22	22	22	
22	22	22	22	22	22	22	
22	22	20-24	20-24	20-24	20-24	20-24	
n/a	n/a	n/a	n/a	n/a	n/a	n/a	
13.5	17	10	10	10	10	10	
13.5	17	10	10	10	10	10	



climate of innovation

Viessmann Limited
Hortonwood 30, Telford
Shropshire, TF1 7YP
Tel: 01952 675000
Fax: 01952 675040
www.viessmann.co.uk

Your trade partner:

9443 449 GB 11/2016

Copyright Viessmann

Duplication and alternative use only with prior written consent.

Subject to technical modifications.