

### 3. Description of function and product

#### 3.6 Dimensions

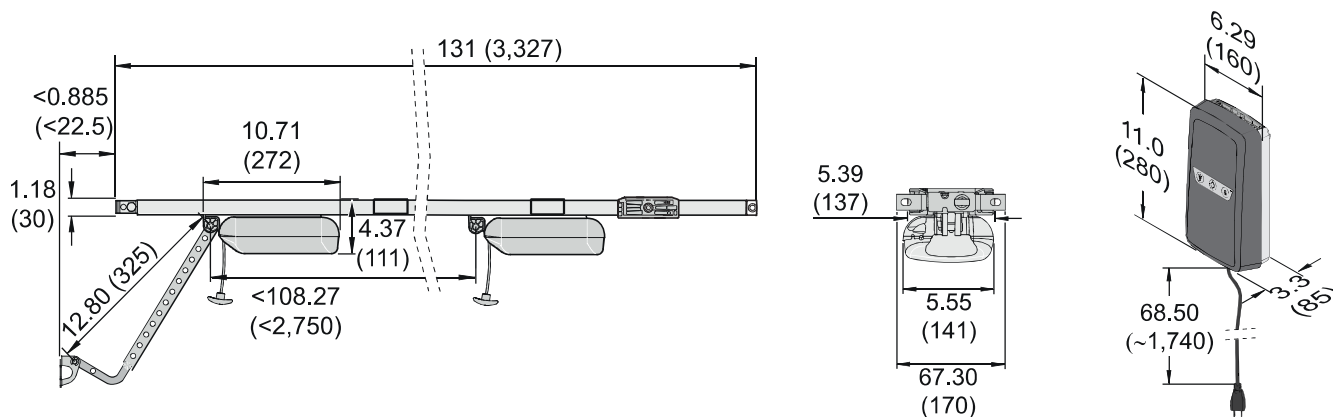


Fig. All dimensions are in inches (mm)

#### 3.7 Technical data

	2060 pro+	2080 pro+	2110 pro+
Rated voltage		AC 120 V	
Rated frequency		60 Hz	
Number of programmable remote buttons		40	
Duty cycle		40 %	
Emission value according to operating environment		<math><59</math> dBA – opener only	
IP code		NEMA1, IP21	
Protection class		class 2	
Standard door height		7' and 8' doors (<math><2,750</math> mm)	
Max. door height with extensions		24 ft. (up to 2 x 3.59 ft., 3 x 3.59 ft., 4 x 3.59 ft.) (7.10 m / up to 2 x 1,096 mm, 3 x 1,096 mm, 4 x 1,096 mm)	
Speed*	9.4 inch/sec. (240 mm/s)	8.3 inch/sec. (210 mm/s)	7 inch/sec. (180 mm/s)
Max. traction and pressure force	600 N (0.75 HP)	800 N (1 HP)	1,100 N (1.25 HP)
Current consumption**	1.0 A	1.3 A	1.5 A
Standby		<math><3</math> W	

\* Depending on door and the operating conditions

\*\* Values apply without lighting, Lumi pro+