



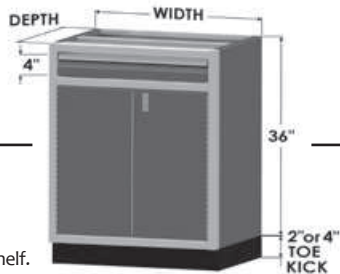
CATALOG
PRICE LIST

Effective September 15th 2017

| www.modulinecabinets.com

| Toll Free (888) 343-4463

PROII™ PAGE 10
BASE CABINETS



(specify signature black, red, royal blue, yellow, white, light gray, moduline blue)

All Base Cabinets include one adjustable shelf.

All Base Cabinets are 36" Height

	Part No.	Width	# Doors	Price
18" Depth	361824	24"	1	\$534.00
	361830	30"	2	\$562.00
	361832	32"	2	\$583.00
	361836	36"	2	\$615.00
24" Depth	362416	16"	1	\$553.00
	362424	24"	1	\$572.00
	362430	30"	2	\$583.00
	362432	32"	2	\$604.00
	362436	36"	2	\$636.00
30" Depth	363024	24"	1	\$615.00
	363030	30"	2	\$636.00
	363032	32"	2	\$647.00
	363036	36"	2	\$689.00

SD Optional 4" High Drawer \$244.00

TK Optional 2" or 4" Toe Kick Riser™ \$90.00

BACK3624 Optional base cabinet backs 24" wide \$64.00

BACK3630 Optional base cabinet backs 30" wide \$66.00

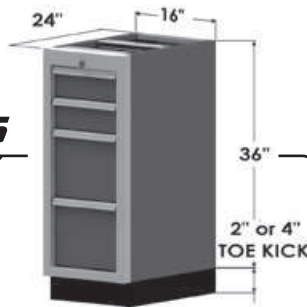
BACK3632 Optional base cabinet backs 32" wide \$67.00

BACK3636 Optional base cabinet backs 36" wide \$68.00

LOCKLATCH Optional Single Locking Latch \$55.00

DOUBLELOCK Optional Double Lock \$140.00

PROII™ PAGE 12
PARTS BIN, WASTE BIN + FILE CABINETS



(specify signature black, red, royal blue, yellow, white, light gray, moduline blue)

FEATURING QuikDraw®

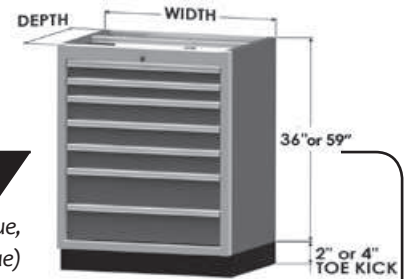
Cabinets below are: 36"H x 24"D x 16"W

Part No.	Description	# of Bins or Drawers	Price
362416PB	Parts Bin Cabinet	specify 15 or 25	\$1,095.00
362416RB	Waste Bin Cabinet	1	\$995.00
362416FC	4-Drawer File Cabinet	4	\$1,195.00

Under desk file cabinet: 30"H x 24"D x 16"W

302416FC	3-Drawer File Cabinet	3	\$1,092.00
-TK	Optional 2" or 4" Toe Kick Riser™		\$90.00
-L	Thumb Lock Option		\$138.00

PROII™ PAGE 12
DRAWER CABINETS



FEATURING QuikDraw®

(specify signature black, red, royal blue, yellow, white, light gray, moduline blue)

36" Height Cabinets

	Part No.	Width	# Drawers	Price
18" Depth	361824DU-03E	24"	(3) 9.5"	\$1,265.00
	361824DU-05E	24"	(5) 5.5"	\$1,307.00
	361824DU-07A	24"	(2) 2.5" (3) 3.5" (2) 5.5"	\$1,349.00
	361832DU-03E	32"	(3) 9.5"	\$1,373.00
	361832DU-05E	32"	(5) 5.5"	\$1,482.00
	361832DU-07A	32"	(2) 2.5" (3) 3.5" (2) 5.5"	\$1,590.00
	361836DU-03E	36"	(3) 9.5"	\$1,500.00
	361836DU-05E	36"	(5) 5.5"	\$1,545.00
	361836DU-07A	36"	(2) 2.5" (3) 3.5" (2) 5.5"	\$1,590.00
	24" Depth	362424DU-03E	24"	(3) 9.5"
362424DU-05E		24"	(5) 5.5"	\$1,404.00
362424DU-07A		24"	(2) 2.5" (3) 3.5" (2) 5.5"	\$1,463.00
362432DU-03E		32"	(3) 9.5"	\$1,463.00
362432DU-05E		32"	(5) 5.5"	\$1,590.00
362432DU-07A		32"	(2) 2.5" (3) 3.5" (2) 5.5"	\$1,717.00
362436DU-03E		36"	(3) 9.5"	\$1,590.00
362436DU-05E		36"	(5) 5.5"	\$1,654.00
362436DU-07A		36"	(2) 2.5" (3) 3.5" (2) 5.5"	\$1,717.00
362448DU-10A		48"	(1) 3" (3) 2.5" (3) 3.5" (1) 6" (2) 9.5"	\$2,795.00
362460DU-10A	60"	(1) 3" (3) 2.5" (3) 3.5" (1) 6" (2) 9.5"	\$3,995.00	

59" Height Cabinets

24" Depth	592432DU-12A	32"	(4) 2.5" (4) 3.5" (4) 5.5"	\$2,841.00
	-TK Optional 2" or 4" Toe Kick Riser™ (Up to 36" wide)			\$90.00
	-L Thumb Lock Option (6" wide)			\$138.00
	-TK Optional 2" or 4" Toe Kick Riser™ (48" to 60" wide)			\$190.00
	-L Thumb Lock Option (48" to 60" wide)			\$260.00

LIGHT SHIELDS PAGE 14 & 25

Description	Part No.	Price
Light Shield (sold by the foot)	SHIELD	\$20.00 / foot
11" Deep Return right side	RETURN11R	\$35.00each
11" Deep Return left side	RETURN11L	\$35.00 each
15" Deep Return right side	RETURN15R	\$37.00 each
15" Deep Return left side	RETURN15L	\$37.00 each
Corner Light Shield corner cabinet	SHIELDC	\$41.00 each

PROII™ CLOSETS

PAGE 14

(specify signature black, red, royal blue, yellow, white, light gray, moduline blue)
All Closets include one adjustable shelf.



Closets are 75" & 81" High

	Part No.	Width	# Doors	Price
75" High 18" Depth Cabinets	751824	24"	1	\$979.00
	751830	30"	1	\$1,070.00
	751832	32"	1	\$1,092.00
	751836	36"	1	\$1,133.00
75" High 24" Depth Cabinets	752424	24"	1	\$1,017.00
	752430	30"	1	\$1,113.00
	752432	32"	1	\$1,134.00
	752436	36"	1	\$1,177.00
75" High 30" Depth Cabinets	753024	24"	1	\$1,163.00
	753030	30"	1	\$1,206.00
	753032	32"	1	\$1,247.00
	753036	36"	1	\$1,331.00
81" High 18" Depth Cabinets	811824	24"	1	\$1,040.00
	811830	30"	1	\$1,133.00
	811832	32"	1	\$1,154.00
	811836	36"	1	\$1,195.00
81" High 24" Depth Cabinets	812424	24"	1	\$1,080.00
	812430	30"	1	\$1,177.00
	812432	32"	1	\$1,198.00
	812436	36"	1	\$1,241.00
81" High 30" Depth Cabinets	813024	24"	1	\$1,227.00
	813030	30"	1	\$1,270.00
	813032	32"	1	\$1,311.00
	813036	36"	1	\$1,395.00

OPTIONAL CLOSET BACKS:

75" Height x 24" Width	\$106.00	81" Height x 24" Width	\$117.00
75" Height x 30" Width	\$113.00	81" Height x 30" Width	\$138.00
75" Height x 32" Width	\$118.00	81" Height x 32" Width	\$145.00
75" Height x 36" Width	\$148.00	81" Height x 36" Width	\$159.00

2 DOOR-CLOSET Double Door Option	\$158.00
-TK Optional 2" or 4" Toe Kick Riser™	\$90.00
POLEKIT Closet Pole Kit	\$45.00
LOCKLATCH Single Locking Latch	\$55.00
DOUBLELOCK Double Lock	\$140.00

PROII™ CABINET OPTIONS PAGE 24

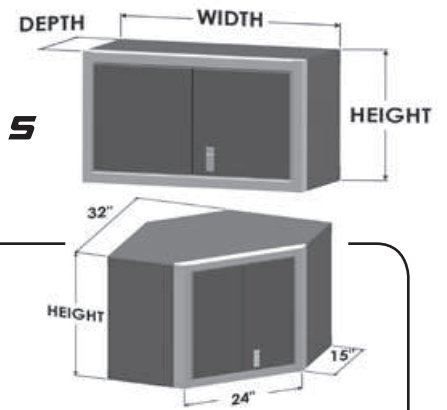
TOE KICK RISER TK(2" or 4") \$90.00

CLOSET POLE KIT POLEKIT \$45.00

PROII™ WALL + CORNER CABINETS

PAGE 15

Wall Cabinets 24" or higher include one adjustable shelf.



(specify signature black, red, royal blue, yellow, white, light gray, moduline blue)

*Available with single lift up door

	Part No.	Height	Width	Doors	Price
11" Depth	181116	18"	16"	1*	\$333.00
	181124	18"	24"	1*	\$349.00
	181130	18"	30"	2*	\$381.00
	181132	18"	32"	2*	\$389.00
	181136	18"	36"	2*	\$416.00
	241116	24"	16"	1*	\$367.00
	241124	24"	24"	1*	\$382.00
	241130	24"	30"	2*	\$424.00
	241132	24"	32"	2*	\$429.00
	241136	24"	36"	2*	\$466.00
	361116	36"	16"	1	\$568.00
	361124	36"	24"	1	\$583.00
	361130	36"	30"	2	\$604.00
	361132	36"	32"	2	\$608.00
	361136	36"	36"	2	\$636.00
15" Depth	181516	18"	16"	1*	\$364.00
	181524	18"	24"	1*	\$381.00
	181530	18"	30"	2*	\$416.00
	181532	18"	32"	2*	\$420.00
	181536	18"	36"	2*	\$458.00
	241516	24"	16"	1*	\$388.00
	241524	24"	24"	1*	\$403.00
	241530	24"	30"	2*	\$466.00
	241532	24"	32"	2*	\$470.00
	241536	24"	36"	2*	\$498.00
24" Depth	361516	36"	16"	1	\$589.00
	361524	36"	24"	1	\$604.00
	361530	36"	30"	2	\$615.00
	361532	36"	32"	2	\$619.00
	361536	36"	36"	2	\$653.00
	162432	16"	32"	2*	\$464.00
Corner Cabinets 15" Depth	181532C	18"	32"	2	\$572.00
	241532C	24"	32"	2	\$636.00
	361532C	36"	32"	2	\$806.00
	182424	18"	24"	1*	\$451.00
182430	18"	30"	2*	\$487.00	
182432	18"	32"	2*	\$502.00	

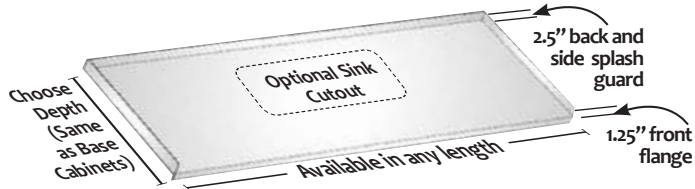
OPTIONAL WALL CABINET BACKS:

18" Height Cabinets	\$53.00	36" H x 24" W	\$64.00
24" Height Cabinets	\$59.00	36" H x 30" W	\$66.00
36" H x 16" W Cabinets	\$59.00	36" H x 36" W	\$68.00

OPTIONAL BACKS FOR CORNER CABINETS:

18" Height Cabinets	\$86.00
24" Height Cabinets	\$88.00
36" Height Cabinets	\$100.00

LOCKLATCH Single Locking Latch	\$55.00
DOUBLELOCK Double Lock	\$140.00
*Single Lift Up Door Option	\$48.00



	Part No.	Depth	Price
1/8" Aluminum	18AL	18"	\$52.00 per ft.
	24AL	24"	\$54.00 per ft.
	30AL	30"	\$64.00 per ft.
.075" Stainless Steel	18SST	18"	*
	24SST	24"	*
	30SST	30"	*
1 3/4" Butcher Block	19BB	19"	\$65.00 per ft
	25BB	25"	\$80.00 per ft
	31BB	31"	\$100.00 per ft
Butcher Block Backsplash	4BBS	4"	\$25.00 per ft
Counter Braces (any length)		Part No.	Price
18" Wide Aluminum Counter Brace		18CB	\$64.00 per ft.
24" Wide Aluminum Counter Brace		24CB	\$66.00 per ft.
30" Wide Aluminum Counter Brace		30CB	\$69.00 per ft.

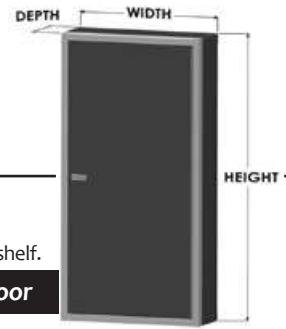
*Call or see website for latest stainless steel prices

PROII™ TRAILER COMBINATIONS

(specify signature black, red, royal blue, yellow, white, light gray, moduline blue)

32" Wide V-Nose Trailer		
Part No.		Price
1201		\$1,155.00
64" Wide Trailer		
2201		\$2,310.00
2202		\$2,518.00
80" Wide Trailer		
1202	V-Nose	\$2,857.00
1203	V-Nose	\$4,165.00
3202		\$3,213.00
3203		\$4,590.00
3204		\$5,286.00
3205		\$2,725.00
3206		\$3,200.00
96" Wide Trailer		
4201		\$2,996.00
4202		\$3,232.00
4203		\$3,557.00
4204		\$4,808.00
4205		\$3,750.00
4206		\$3,410.00
4207		\$4,662.00
4208		\$3,550.00
4209		\$3,947.00
4210		\$5,556.00
4211		\$4,263.00
4212		\$4,068.00

PROII™ EXTRA TALL & WHEEL WELL CABINETS



(specify signature black, red, royal blue, yellow, white, light gray, moduline blue)

All extra tall cabinets include one adjustable shelf.

All Extra Tall Wall Cabinets Have 1 Door

	Part No.	Depth	Width	Price
59" Height Extra Tall Wall Cabinets	590824	8"	24"	\$620.00
	590832	8"	32"	\$670.00
	591124	11"	24"	\$650.00
	591132	11"	32"	\$720.00
	591524	15"	24"	\$700.00
	591532	15"	32"	\$750.00
75" Height Extra Tall Wall Cabinets	750824	8"	24"	\$720.00
	750832	8"	32"	\$770.00
	751124	11"	24"	\$750.00
	751132	11"	32"	\$820.00
	751524	15"	24"	\$800.00
	751532	15"	32"	\$850.00
	-TK Optional 2" or 4" Toe Kick Riser™			\$90.00
	Optional back for 59" H x 24" W cabinet			\$84.00
	Optional back for 59" H x 32" W cabinet			\$91.00
	Optional back for 75" H x 24" W cabinet			\$106.00
	Optional back for 75" H x 32" W cabinet			\$118.00
	LOCKLATCH Single Locking Latch			\$55.00
	DOUBLELOCK Double Lock			\$140.00

PROII™ CABINET BOTTOMS

	PART NO.	WIDTH	PRICE
18" DEPTH CABINETS	BOTTOM1824	24"	\$39.00
	BOTTOM1830	30"	\$45.00
	BOTTOM1832	32"	\$47.00
	BOTTOM1836	36"	\$52.00
24" DEPTH CABINETS	BOTTOM2416	16"	\$39.00
	BOTTOM2424	24"	\$46.00
	BOTTOM2430	30"	\$56.00
	BOTTOM2432	32"	\$58.00
	BOTTOM2436	36"	\$67.00
30" DEPTH CABINETS	BOTTOM3024	24"	\$69.00
	BOTTOM3030	30"	\$74.00
	BOTTOM3032	32"	\$76.00
	BOTTOM3036	36"	\$79.00

16 SERIES WALL CABINETS PAGE 24

Part No.	Description	Doors	Price
161116	16" H x 11" D x 16" W	1	\$209.00
161132	16" H x 11" D x 36" W	2	\$275.00

WORKBENCH MAT

Part No.	Depth	Use For Counters	Price
18BM	18"	18" Deep or Less	\$19.00/ft.
24BM	24"	19" to 24" Deep	\$20.00/ft.
36BM	36"	25" to 36" Deep	\$28.00/ft.

PROII™ CABINETS PAGE 24
PULL OUT SHELVES

	Part No.	Width	Price
24" Depth Shelf	POS2424	24"	\$127.00
	POS2430	30"	\$132.00
	POS2432	32"	\$137.00
	POS2436	36"	\$140.00
30" Depth Shelf	POS3024	24"	\$163.00
	POS3030	30"	\$167.00
	POS3032	32"	\$172.00
	POS3036	36"	\$175.00

PROII™ CABINETS PAGE 24
ADJUSTABLE SHELVES

	Part No.	Width	Price
8" Depth Cabinets	S0824	24"	\$19.00
	S0832	32"	\$22.00
11" Depth Cabinets	S1116	16"	\$19.00
	S1124	24"	\$26.00
	S1130	30"	\$29.00
	S1132	32"	\$31.00
	S1136	36"	\$32.00
15" Depth Cabinets	S1516	16"	\$22.00
	S1524	24"	\$31.00
	S1530	30"	\$37.00
	S1532	32"	\$40.00
18" Depth Cabinets	S1536	36"	\$45.00
	S1824	24"	\$39.00
	S1830	30"	\$45.00
24" Depth Cabinets	S1832	32"	\$47.00
	S1836	36"	\$52.00
	S2416	16"	\$39.00
	S2424	24"	\$43.00
30" Depth Cabinets	S2430	30"	\$55.00
	S2432	32"	\$58.00
	S2436	36"	\$67.00
	S3024	24"	\$69.00
Corner Shelf	S3030	30"	\$74.00
	S3032	32"	\$76.00
	S3036	36"	\$79.00
Corner Shelf	S1532C	32"	\$117.00

MODULINE EXTREME LINER™

Part No. LINER — minimum 10 feet \$7.95 / foot PAGE 25

DRAWER DIVIDERS PAGE 25

(includes vertical & horizontal dividers)				Additional set of 6 Horizontal Dividers	
	Part No.	Divider Kit	Price	Price	Price
24"wide x 24"depth Drawer	32424DD	3" high	\$58.00	031196	\$24.00
	42424DD	4" high	\$58.00	014400	\$24.00
	62424DD	6" high	\$63.00	031195	\$24.00
32"wide x 24"depth Drawer	32432DD	3" high	\$58.00	014449	\$24.00
	42432DD	4" high	\$58.00	014451	\$24.00
	62432DD	6" high	\$63.00	014450	\$24.00
36"wide x 24"depth Drawer	32436DD	3" high	\$58.00	030485	\$24.00
	42436DD	4" high	\$58.00	030484	\$24.00
	62436DD	6" high	\$63.00	030483	\$24.00
32"wide x 18"depth Drawer	31832DD	3" high	\$58.00	014449	\$24.00
	41832DD	4" high	\$58.00	014451	\$24.00
	61832DD	6" high	\$63.00	014450	\$24.00

Note: Due to material price fluctuations, all prices are subject to change without notice.

PLASTIC DRAWER BINS PAGE 25

Part No.	Description	For Drawer Size	Price
DB1.72424S	For small parts	24" W x 24" D	\$93.00
DB1.72430S	For small parts	24" W x 30" D	\$108.00
DB1.72432S	For small parts	24" W x 32" D	\$116.00
DB1.72436S	For small parts	24" W x 36" D	\$131.00
DB1.72424M	For medium parts	24" W x 24" D	\$93.00
DB1.72430M	For medium parts	24" W x 30" D	\$108.00
DB1.72432M	For medium parts	24" W x 32" D	\$116.00
DB1.72436M	For medium parts	24" W x 36" D	\$131.00
DB1.72424L	For large parts	24" W x 24" D	\$93.00
DB1.72430L	For large parts	24" W x 30" D	\$108.00
DB1.72432L	For large parts	24" W x 32" D	\$116.00
DB1.72436L	For large parts	24" W x 36" D	\$131.00

LED WORK LIGHTS PAGE 25

Part No. LED2x2 - sold by foot/minimum 8 ft- \$20.00 / foot

POWER GRID PAGE 25

Part No.	Description	Price
PG31.5-BLK	31 1/2" Long Power Grid	\$190.00
PG39.4-BLK	39 3/8" Long Power Grid	\$205.00
PG47.3-BLK	47 1/4" Long Power Grid	\$220.00
PGEC	Power Grid End Cap	
PGSP	Power Grid Spacer	

FOLDING WORKSTATIONS PAGE 26

Part No.	Width	Description	Price
24FW	24" W	(specify signature black, red, royal blue,	\$325.00
44FW	44" W	yellow, white, light gray, moduline blue)	\$398.00

OIL RACKS PAGE 26

Part No.	Description	Price
36DC-B	Black Oil Rack 36" High	\$195.00
36DC-W	White Oil Rack 36" High	\$195.00

ALUMINUM LARGE + SMALL SHELF CABINET PAGE 26

Part No.	Description	Price
36DCS	Large Shelf Cabinet - White Only	\$245.00
21DCS	Small Shelf Cabinet- White Only	Discontinued

ALUMINUM FUEL JUG HOLDER

Part No. FJH - 15"H x 12"D x 12"W - \$58.00 PAGE 26

ALUMINUM FOLDING TABLES PAGE 27

Part No.	Description	Price
2448APT	30 lb 24"x48" Aluminum Table	\$235.00
3072APT	45 lb 30"x72" Aluminum Table	\$385.00

FOLDING BEDS PAGE 27

Part No.	Description	Price
79397	64 lb Folding Bed & Couch	\$599.00
77265	75 lb Folding Bunk Beds	\$599.00

REELS PAGE 27

Reelcraft® Premium Industrial Spring Driven Hose and Cord reels. ModuLine is a full line Reelcraft® distributor. For current discounts and special prices see our Online Store at www.modulinecabinets.com