

# MODULINE<sup>®</sup>

MODULAR ALUMINUM CABINETS

## PROII<sup>™</sup> ALUMINUM CABINETS

FOR GARAGE OR SHOP



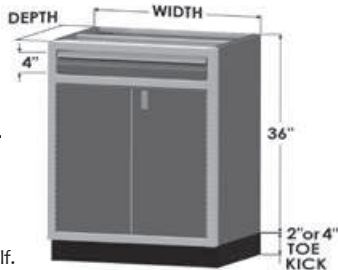
CATALOG PRICE LIST

Effective September 15, 2017

www.modulinecabinets.com

Toll Free (888) 343-4463

### PROII<sup>™</sup> PAGE 10 BASE CABINETS



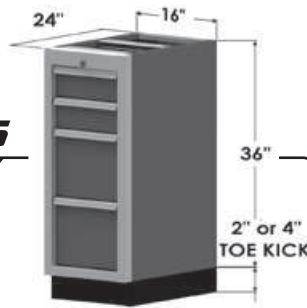
(specify signature black, red, royal blue, yellow, white, light gray, moduline blue)

All Base Cabinets include one adjustable shelf.

#### All Base Cabinets are 36" Height

	Part No.	Width	# Doors	Price
18" Depth	361824	16"	1	\$534.00
	361830	30"	2	\$562.00
	361832	32"	2	\$583.00
	361836	36"	2	\$615.00
24" Depth	362416	16"	1	\$553.00
	362424	24"	1	\$572.00
	362430	30"	2	\$583.00
	362432	32"	2	\$604.00
	362436	36"	2	\$636.00
30" Depth	363024	24"	1	\$615.00
	363030	30"	2	\$636.00
	363032	32"	2	\$647.00
	363036	36"	2	\$689.00
	-SD Optional 4" High Drawer			\$244.00
	-TK Optional 2" or 4" Toe Kick Riser <sup>™</sup>			\$90.00
	BACK3624 Optional base cabinet backs 24" wide			\$64.00
	BACK3630 Optional base cabinet backs 30" wide			\$66.00
	BACK3632 Optional base cabinet backs 32" wide			\$67.00
	BACK3636 Optional base cabinet backs 36" wide			\$68.00
	LOCKLATCH Optional Single Locking Latch			\$55.00
	DOUBLELOCK Optional Double Lock			\$140.00

### PROII<sup>™</sup> PAGE 14 PARTS BIN, WASTE BIN + FILE CABINETS



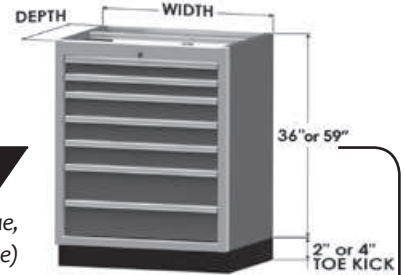
#### FEATURING QuikDraw<sup>®</sup>

(specify signature black, red, royal blue, yellow, white, light gray, moduline blue)

#### Cabinets below are: 36"H x 24"D x 16"W

Part No.	Description	# of Bins or Drawers	Price
362416PB	Parts Bin Cabinet	specify 15 or 25	\$1,095.00
362416RB	Waste Bin Cabinet	1	\$995.00
362416FC	4-Drawer File Cabinet	4	\$1,195.00
<b>Under desk file cabinet: 30"H x 24"D x 16"W</b>			
302416FC	3-Drawer File Cabinet	3	\$1,092.00
-TK	Optional 2" or 4" Toe Kick Riser <sup>™</sup>		\$90.00
-L	Thumb Lock Option		\$138.00

### PROII<sup>™</sup> PAGE 12 DRAWER CABINETS



#### FEATURING QuikDraw<sup>®</sup>

(specify signature black, red, royal blue, yellow, white, light gray, moduline blue)

#### 36" Height Cabinets

	Part No.	Width	# Drawers	Price
18" Depth	361824DU-03E	24"	(3) 9.5"	\$1,265.00
	361824DU-05E	24"	(5) 5.5"	\$1,307.00
	361824DU-07A	24"	(2) 2.5" (3) 3.5" (2) 5.5"	\$1,349.00
	361832DU-03E	32"	(3) 9.5"	\$1,373.00
	361832DU-05E	32"	(5) 5.5"	\$1,482.00
	361832DU-07A	32"	(2) 2.5" (3) 3.5" (2) 5.5"	\$1,590.00
24" Depth	361836DU-03E	36"	(3) 9.5"	\$1,500.00
	361836DU-05E	36"	(5) 5.5"	\$1,545.00
	361836DU-07A	36"	(2) 2.5" (3) 3.5" (2) 5.5"	\$1,590.00
	362424DU-03E	24"	(3) 9.5"	\$1,346.00
	362424DU-05E	24"	(5) 5.5"	\$1,404.00
	362424DU-07A	24"	(2) 2.5" (3) 3.5" (2) 5.5"	\$1,463.00
	362432DU-03E	32"	(3) 9.5"	\$1,463.00
	362432DU-05E	32"	(5) 5.5"	\$1,590.00
	362432DU-07A	32"	(2) 2.5" (3) 3.5" (2) 5.5"	\$1,717.00
	362436DU-03E	36"	(3) 9.5"	\$1,590.00
	362436DU-05E	36"	(5) 5.5"	\$1,654.00
	362436DU-07A	36"	(2) 2.5" (3) 3.5" (2) 5.5"	\$1,717.00
48" Depth	362448DU-10A	48"	(1) 3" (3) 2.5" (3) 3.5" (1) 6" (2) 9.5"	\$2,795.00
	60" Depth	362460DU-10A	(1) 3" (3) 2.5" (3) 3.5" (1) 6" (2) 9.5"	\$3,995.00

#### 59" Height Cabinets

24" Depth	592432DU-12A	32"	(4) 2.5" (4) 3.5" (4) 5.5"	\$2,841.00
	-TK Optional 2" or 4" Toe Kick Riser <sup>™</sup> (Up to 36" wide)			\$90.00
	-L Thumb Lock Option (Up to 36" wide)			\$138.00
	-TK Optional 2" or 4" Toe Kick Riser <sup>™</sup> (48" to 60" wide)			\$190.00
	-L Thumb Lock Option (48" to 60" wide)			\$260.00

### LIGHT SHIELDS PAGE 17

Description	Part No.	Price
Light Shield (sold by the foot)	SHIELD	\$20.00 / foot
11" Deep Return right side	RETURN11R	\$35.00 each
11" Deep Return left side	RETURN11L	\$35.00 each
15" Deep Return right side	RETURN15R	\$37.00 each
15" Deep Return left side	RETURN15L	\$37.00 each
Corner Light Shield corner cabinet	SHIELDC	\$41.00 each

(specify signature black, red, royal blue, yellow, white, light gray, moduline blue)

All Closets include one adjustable shelf.

**Closets are 75" & 81" High**



	Part No.	Width	# Doors	Price
<b>75" High 18" Depth Cabinets</b>	751824	24"	1	\$979.00
	751830	30"	1	\$1,070.00
	751832	32"	1	\$1,092.00
	751836	36"	1	\$1,133.00
<b>75" High 24" Depth Cabinets</b>	752424	24"	1	\$1,017.00
	752430	30"	1	\$1,113.00
	752432	32"	1	\$1,134.00
	752436	36"	1	\$1,177.00
<b>75" High 30" Depth Cabinets</b>	753024	24"	1	\$1,163.00
	753030	30"	1	\$1,206.00
	753032	32"	1	\$1,247.00
	753036	36"	1	\$1,331.00
<b>81" High 18" Depth Cabinets</b>	811824	24"	1	\$1,040.00
	811830	30"	1	\$1,133.00
	811832	32"	1	\$1,154.00
	811836	36"	1	\$1,195.00
<b>81" High 24" Depth Cabinets</b>	812424	24"	1	\$1,080.00
	812430	30"	1	\$1,177.00
	812432	32"	1	\$1,198.00
	812436	36"	1	\$1,241.00
<b>81" High 30" Depth Cabinets</b>	813024	24"	1	\$1,227.00
	813030	30"	1	\$1,270.00
	813032	32"	1	\$1,311.00
	813036	36"	1	\$1,395.00

**OPTIONAL CLOSET BACKS:**

75" Height x 24" Width	\$106.00	81" Height x 24" Width	\$117.00
75" Height x 30" Width	\$113.00	81" Height x 30" Width	\$138.00
75" Height x 32" Width	\$118.00	81" Height x 32" Width	\$145.00
75" Height x 36" Width	\$148.00	81" Height x 36" Width	\$159.00
2 DOOR-CLOSET Double Door Option			\$158.00
-TK Optional 2" or 4" Toe Kick Riser™			\$90.00
POLEKIT Closet Pole Kit			\$45.00
LOCKLATCH Single Locking Latch			\$55.00
DOUBLELOCK Double Lock			\$140.00

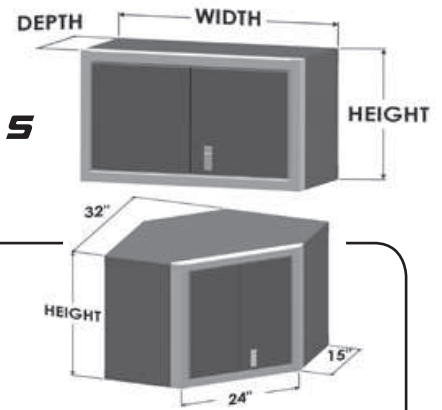
**COUNTERTOPS**



	Part No.	Depth	Price
<b>1/8" Aluminum</b>	18AL	18"	\$52.00 per ft.
	24AL	24"	\$54.00 per ft.
	30AL	30"	\$64.00 per ft.
<b>.075" Stainless Steel</b>	Call or see website for prices.		
<b>1 3/4" Butcher Block</b>	19BB	19"	\$65.00 per ft
	25BB	25"	\$80.00 per ft
	31BB	31"	\$100.00 per ft
<b>Butcher Block Backsplash</b>	4BBS	4"	\$25.00 per ft
<b>Counter Braces (any length)</b>			
	Part No.	Price	
18" Wide Aluminum Counter Brace	18CB	\$64.00 per ft.	
24" Wide Aluminum Counter Brace	24CB	\$66.00 per ft.	
30" Wide Aluminum Counter Brace	30CB	\$69.00 per ft.	

**PROII™  
WALL +  
CORNER  
CABINETS**

Wall Cabinets 24" or higher include one adjustable shelf.



(specify signature black, red, royal blue, yellow, white, light gray, moduline blue)

\*Available with single lift up door

	Part No.	Height	Width	Doors	Price
<b>11" Depth</b>	181116	18"	16"	1*	\$333.00
	181124	18"	24"	1*	\$349.00
	181130	18"	30"	2*	\$381.00
	181132	18"	32"	2*	\$389.00
	181136	18"	36"	2*	\$416.00
	241116	24"	16"	1*	\$367.00
	241124	24"	24"	1*	\$382.00
	241130	24"	30"	2*	\$424.00
	241132	24"	32"	2*	\$429.00
	241136	24"	36"	2*	\$466.00
	361116	36"	16"	1	\$568.00
	361124	36"	24"	1	\$583.00
361130	36"	30"	2	\$604.00	
361132	36"	32"	2	\$608.00	
361136	36"	36"	2	\$636.00	
<b>15" Depth</b>	181516	18"	16"	1*	\$364.00
	181524	18"	24"	1*	\$381.00
	181530	18"	30"	2*	\$416.00
	181532	18"	32"	2*	\$420.00
	181536	18"	36"	2*	\$458.00
	241516	24"	16"	1*	\$388.00
	241524	24"	24"	1*	\$403.00
	241530	24"	30"	2*	\$466.00
	241532	24"	32"	2*	\$470.00
	241536	24"	36"	2*	\$498.00
	361516	36"	16"	1	\$589.00
	361524	36"	24"	1	\$604.00
361530	36"	30"	2	\$615.00	
361532	36"	32"	2	\$619.00	
361536	36"	36"	2	\$653.00	
<b>24" Depth</b>	162432	16"	32"	2*	\$464.00
	182424	18"	24"	1*	\$451.00
	182430	18"	30"	2*	\$487.00
	182432	18"	32"	2*	\$502.00
<b>Corner Cabinets 15" Depth</b>	181532C	18"	32"	2	\$572.00
	241532C	24"	32"	2	\$636.00
	361532C	36"	32"	2	\$806.00

**OPTIONAL WALL CABINET BACKS:**

18" Height Cabinets	\$53.00	36" H x 24" W	\$64.00
24" Height Cabinets	\$59.00	36" H x 30" W	\$66.00
36" H x 16" W Cabinets	\$59.00	36" H x 36" W	\$68.00

**OPTIONAL BACKS FOR CORNER CABINETS:**

18" Height Cabinets	\$86.00
24" Height Cabinets	\$88.00
36" Height Cabinets	\$100.00
LOCKLATCH Single Locking Latch	\$55.00
DOUBLELOCK Double Lock	\$140.00
*Single Lift Up Door Option	\$48.00

**PROII™** PAGE 15  
**MOBILE  
TOOLBOXES**



**FEATURING QuikDraw™**

(specify signature black, red, royal blue, yellow, white, light gray, moduline blue)

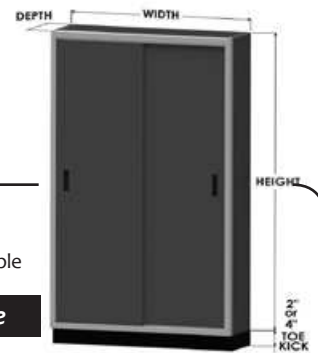
**37.7" Height x 24" Depth x 32" Width Mobile Tool Boxes and Bases**

Part No.	Description	# Drawers	# Doors	Price
382432TB-04E	Tool Box	(4) 5.75"	0	\$1,995.00
382432TB-06A	Tool Box	(3)2.5"(1)3.5"(2)5.75"	0	\$2,095.00
-L	Thumb Lock Option for above			\$140.00
382432MB	Base	NA	2	\$1,185.00
SD382432MB	Base with top Drawer		2	\$1,450.00

**40" Height x 24" Depth Mobile Tool Boxes**

Part No.	# Drawers	# Doors	Price
402448TB-06A-1D	(1)3.75"(2)2.25"(1)3.25" (1)4.25"(1)5.25"	1	\$3,750.00
402448TB-06A-2D	(1)3.75"(2)2.25"(1)3.25" (1)4.25"(1)5.25"	2	\$3,750.00
402448TB-09A	(1)3.75"(3)2.25"(1)3.25" (1)4.25"(1)5.25"(2)8.25"	0	\$3,900.00
402460TB-06A-1D	(1)3.75"(2)2.25"(1)3.25" (1)4.25"(1)5.25"	1	\$4,950.00
402460TB-06A-2D	(1)3.75"(2)2.25"(1)3.25" (1)4.25"(1)5.25"	2	\$4,950.00
402460TB-09A	(1)3.75"(3)2.25"(1)3.25" (1)4.25"(1)5.25"(2)8.25"	0	\$5,100.00
-L	Thumb Lock Option for Above		\$260.00

**PROII™** PAGE 19  
**SPACE  
SAVER™  
CABINETS**



(specify signature black, red, royal blue, yellow, white, light gray, moduline blue)

All Space Saver Cabinets include one adjustable heavy duty shelf.

**Space Saver™ Closets are 48" wide**

Part No.	Depth	Doors	Price
591148S	11.5"	2	\$1,200.00
591548S	15.5"	2	\$1,325.00
751148S	11.5"	2	\$1,400.00
751548S	15.5"	2	\$1,550.00

**48" Heavy Duty Shelf for Space Saver™ Cabinets**

S1148HD	11.5"	\$85.00
S1548HD	15.5"	\$106.00
-TK optional 2" or 4" Toe Kick Riser™		\$90.00
Optional back for 59" High cabinet		\$138.00
Optional back for 75" High cabinet		\$170.00

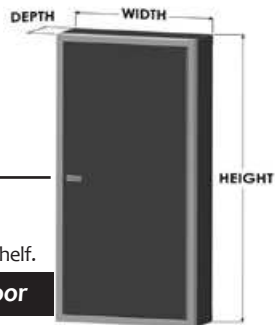
**PROII™ CABINETS  
COMBINATIONS**

**PAGES 20-29**

(specify signature black, red, royal blue, yellow, white, light gray, moduline blue)

STANDARD	Price	PREMIUM	Price
PGC006-011	\$2,740.00	PGC006-012	\$3,446.00
PGC008-011	\$3,295.00	PGC008-012	\$4,200.00
PGC008-021	\$3,950.00	PGC008-022	\$4,658.00
PGC008-031	\$3,948.00	PGC008-032	\$4,920.00
PGC008-041	\$5,000.00	PGC008-042	\$5,800.00
PGC008-051	\$5,490.00	PGC008-052	\$6,400.00
PGC008-061	\$3,876.00	PGC008-062	\$4,785.00
PGC008-071	\$5,070.00	PGC008-072	\$5,426.00
PGC009-011	\$4,600.00	PGC009-012	\$5,677.00
PGC009-021	\$6,070.00	PGC009-022	\$6,590.00
PGC009-031	\$4,288.00	PGC009-032	\$4,780.00
PGC009-041	\$5,000.00	PGC009-042	\$5,897.00
PGC010-011	\$5,120.00	PGC010-012	\$6,366.00
PGC010-021	\$5,126.00	PGC010-022	\$6,250.00
PGC010-031	\$6,490.00	PGC010-032	\$7,086.00
PGC010-041	\$7,647.00	PGC010-042	\$8,673.00
PGC010-011C	\$9,468.00	PGC010-012C	\$10,875.00
PGC012-011	\$7,449.00	PGC012-012	\$8,137.00
PGC012-021	\$8,253.00	PGC012-022	\$9,464.00
PGC012-031	\$9,727.00	PGC012-032	\$10,870.00
PGC012-041	\$7,689.00	PGC012-042	\$8,440.00
PGC012-051	\$7,814.00	PGC012-052	\$9,234.00
PGC012-061	\$9,894.00	PGC012-062	\$10,990.00
PGC014-011	\$6,805.00	PGC014-012	\$8,364.00
PGC016-011	\$8,488.00	PGC016-012	\$10,000.00
PGC016-021	\$9,962.00	PGC016-022	\$11,400.00
PGC016-031	\$10,559.00	PGC016-032	\$11,616.00
PGC016-041	\$9,823.00	PGC016-042	\$10,758.00
PGC016-051	\$8,744.00	PGC016-052	\$9,756.00
PGC020-011	\$9,583.00	PGC020-012	\$11,645.00
PGC020-021	\$10,072.00	PGC020-022	\$11,280.00
PGC020-031	\$10,574.00	PGC020-032	\$12,094.00
PGC020-041	\$13,080.00	PGC020-042	\$14,270.00
PGC025-011	\$11,500.00	PGC025-012	\$13,796.00
PGC025-021	\$12,100.00	PGC025-022	\$14,465.00

**PROII™** PAGE 19  
**EXTRA TALL  
WALL  
CABINETS**



(specify signature black, red, royal blue, yellow, white, light gray, moduline blue)

All extra tall cabinets include one adjustable shelf.

**All Extra Tall Wall Cabinets Have 1 Door**

Part No.	Depth	Width	Price
590824	8"	24"	\$620.00
590832	8"	32"	\$670.00
591124	11"	24"	\$650.00
591132	11"	32"	\$720.00
591524	15"	24"	\$700.00
591532	15"	32"	\$750.00
750824	8"	24"	\$720.00
750832	8"	32"	\$770.00
751124	11"	24"	\$750.00
751132	11"	32"	\$820.00
751524	15"	24"	\$800.00
751532	15"	32"	\$850.00
-TK Optional 2" or 4" Toe Kick Riser™			\$90.00
Optional back for 59" H x 24" W cabinet			\$84.00
Optional back for 59" H x 32" W cabinet			\$91.00
Optional back for 75" H x 24" W cabinet			\$106.00
Optional back for 75" H x 32" W cabinet			\$118.00
LOCKLATCH Single Locking Latch			\$55.00
DOUBLELOCK Double Lock			\$140.00

**PROII™ CABINETS** PAGE 30  
**PULL OUT SHELVES**

	Part No.	Width	Price
24" Depth Shelf	POS2424	24"	\$127.00
	POS2430	30"	\$132.00
	POS2432	32"	\$137.00
	POS2436	36"	\$140.00
30" Depth Shelf	POS3024	24"	\$163.00
	POS3030	30"	\$167.00
	POS3032	32"	\$172.00
	POS3036	36"	\$175.00

**PROII™ CABINETS** PAGE 30  
**ADJUSTABLE SHELVES**

	Part No.	Width	Price
8" Depth Cabinets	SO824	24"	\$19.00
	SO832	32"	\$22.00
11" Depth Cabinets	S1116	16"	\$19.00
	S1124	24"	\$26.00
	S1130	30"	\$29.00
	S1132	32"	\$31.00
	S1136	36"	\$32.00
	S1148HD	48"	\$85.00
15" Depth Cabinets	S1516	16"	\$22.00
	S1524	24"	\$31.00
	S1530	30"	\$37.00
	S1532	32"	\$40.00
	S1536	36"	\$45.00
18" Depth Cabinets	S1548HD	48"	\$106.00
	S1824	24"	\$39.00
	S1830	30"	\$45.00
	S1832	32"	\$47.00
24" Depth Cabinets	S1836	36"	\$52.00
	S2416	16"	\$39.00
	S2424	24"	\$43.00
	S2430	30"	\$55.00
30" Depth Cabinets	S2432	32"	\$58.00
	S2436	36"	\$67.00
	S3024	24"	\$69.00
	S3030	30"	\$74.00
Corner Shelf	S3032	32"	\$76.00
	S3036	36"	\$79.00
	S1532C	32"	\$117.00

**MODULINE EXTREME LINER™** PAGE 31  
Part No. LINER — minimum 10 feet \$7.95 / foot

**DRAWER DIVIDERS** PAGE 31

(includes vertical & horizontal dividers)				Additional set of 6 Horizontal Dividers	
	Part No.	Divider Kit	Price	Price	Price
24"wide x 24"depth Drawer	32424DD	3" high	\$58.00	031196	\$24.00
	42424DD	4" high	\$58.00	014400	\$24.00
	62424DD	6" high	\$63.00	031195	\$24.00
32"wide x 24"depth Drawer	32432DD	3" high	\$58.00	014449	\$24.00
	42432DD	4" high	\$58.00	014451	\$24.00
	62432DD	6" high	\$63.00	014450	\$24.00
36"wide x 24"depth Drawer	32436DD	3" high	\$58.00	030485	\$24.00
	42436DD	4" high	\$58.00	030484	\$24.00
	62436DD	6" high	\$63.00	030483	\$24.00
32"wide x 18"depth Drawer	31832DD	3" high	\$58.00	014449	\$24.00
	41832DD	4" high	\$58.00	014451	\$24.00
	61832DD	6" high	\$63.00	014450	\$24.00

**PROII™ CABINET BOTTOMS** PAGE 30

	PART NO.	WIDTH	PRICE
18" DEPTH CABINETS	BOTTOM1824	24"	\$39.00
	BOTTOM1830	30"	\$45.00
	BOTTOM1832	32"	\$47.00
	BOTTOM1836	36"	\$52.00
24" DEPTH CABINETS	BOTTOM2416	16"	\$39.00
	BOTTOM2424	24"	\$46.00
	BOTTOM2430	30"	\$56.00
	BOTTOM2432	32"	\$58.00
30" DEPTH CABINETS	BOTTOM2436	36"	\$67.00
	BOTTOM3024	24"	\$69.00
	BOTTOM3030	30"	\$74.00
	BOTTOM3032	32"	\$76.00
	BOTTOM3036	36"	\$79.00

**WORKBENCH MAT** PAGE 31

Part No.	Depth	Use For Counters	Price
18BM	18"	18" Deep or Less	\$19.00/ft.
24BM	24"	19" to 24" Deep	\$20.00/ft.
36BM	36"	25" to 36" Deep	\$28.00/ft.

**FOLDING WORKSTATIONS** PAGE 32

Part No.	Width	Description	Price
24FW	24" W	(specify signature black, red, royal blue,	\$325.00
44FW	44" W	yellow, white, light gray, moduline blue)	\$398.00

**OIL RACKS** PAGE 32

Part No.	Description	Price
36DC-B	Black Oil Rack 36" High	\$195.00
36DC-W	White Oil Rack 36" High	\$195.00

**SINKS** PAGE 32

Part No.	Description	Price
SK5.51515-F	Moen Bar Sink w/faucet	\$275.00
SK5.51515	Moen Bar Sink w/o faucet	\$225.00
SK102020	Elkay Signature 10" deep	\$265.00
SK8.22225	Elkay Signature 25" wide	\$210.00

**DESKS, CHAIR, VACUUMS** PAGE 33

Part No.	Description	Price
31.753670.5	Executive Butcher Block Desk	\$3,784.00
302464DK	All-Aluminum Desk	\$2,226.00
	Optional back for all aluminum desk	\$207.00
GP1000	Grand Prix Chair	\$423.00
MODVAC-SM-R	Red Surface Mount Vacuum	\$292.95
MODVAC-SM-W	White Surface Mount Vacuum	\$292.95
MODVAC-SM-B	Black Surface Mount Vacuum	\$292.95
MODVAC-FM-R	Red Flush Mount Vacuum	\$316.95
MODVAC-FM-W	White Flush Mount Vacuum	\$316.95
MODVAC-FM-B	Black Flush Mount Vacuum	\$316.95
MODVAC-BAGS	5 HEPA bags with Filter	\$17.00

**REELS** PAGE 34-35

Reelcraft® Premium Industrial Spring Driven Hose and Cord reels. ModuLine is a full line Reelcraft® distributor. For current discounts and special prices see our Online Store at [www.modulinecabinets.com](http://www.modulinecabinets.com)