

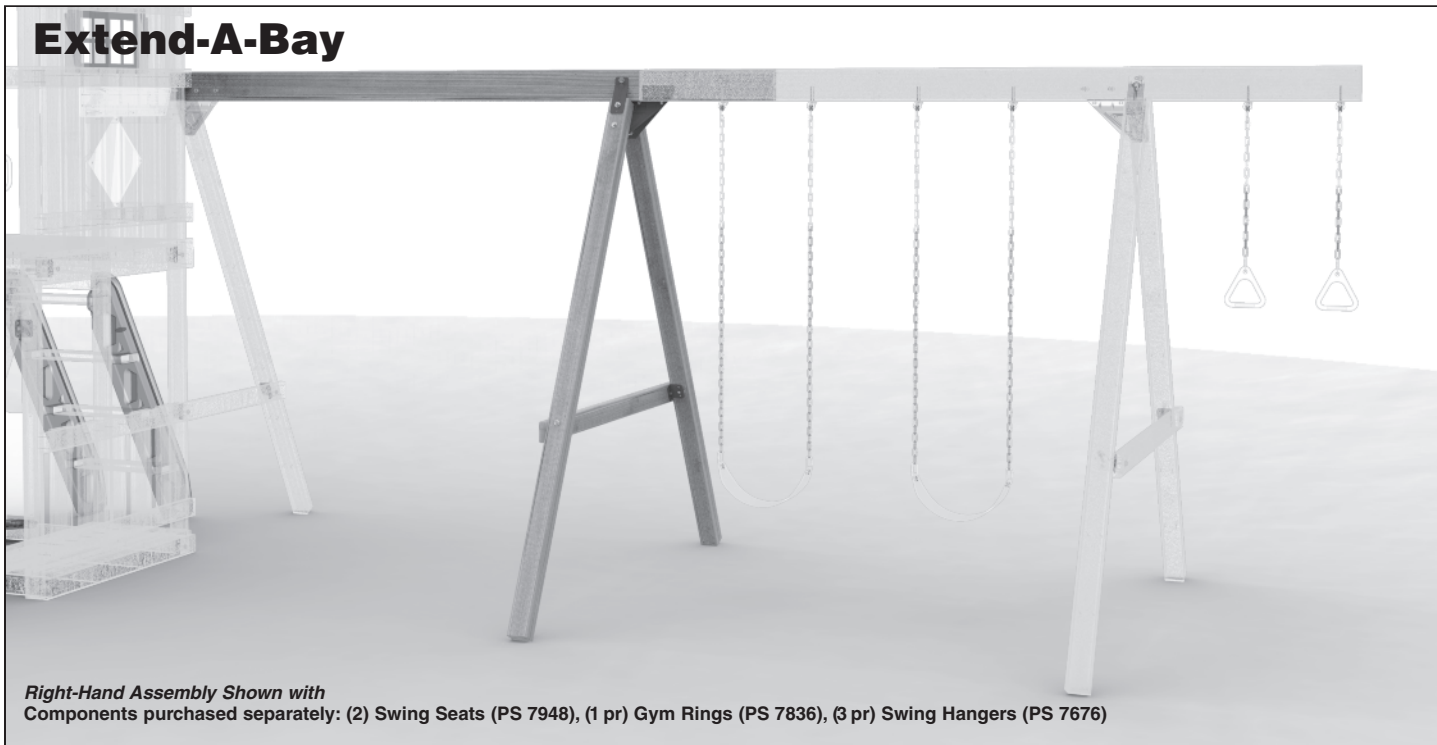
Play Action®

PLAYSTAR

Extend-A-Bay®/Swing Station Kit

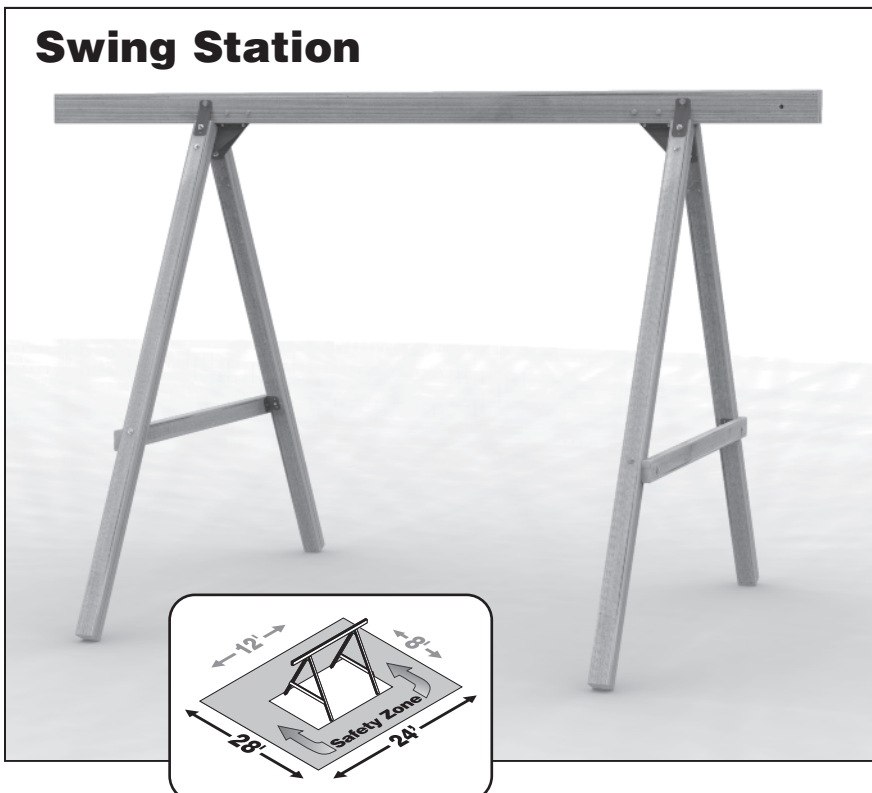
Safety Guide & Building Instructions

Extend-A-Bay



Right-Hand Assembly Shown with
Components purchased separately: (2) Swing Seats (PS 7948), (1 pr) Gym Rings (PS 7836), (3 pr) Swing Hangers (PS 7676)

Swing Station



PS 7664

Thank You for choosing PlayStar. Because it is our intention to make this a positive family experience, we have taken great care in preparing this product. Should you have any questions, or if we can assist you in any way, please call our friendly Customer Service Department for immediate action.

Do not return to the store.

Please call us Toll Free at
1-888-PLAYSTAR
(752-9782)

Monday through Friday, 8:00 A.M. to 5:00 P.M. C.S.T.
Ask for Customer Service.

We Will Gladly Help!

SAFETY

- This product is intended for single-family residential use only, by children ages two to ten and a maximum weight of 105 pounds. Any recommendation over 10 years of age or 105 pounds exceeds the upper limits specified in the American Society for Testing and Materials (ASTM) Home Playground Safety Standard. In order for PlayStar to comply with the ASTM Standard, we cannot recommend anyone above these limits.
- It is a misuse of this product when installed or used in places of public assembly such as schools or parks.
- Follow the instructions provided, do not alter its design in any way.
- Construction requires at least two adults capable of heavy lifting.
- Thoroughly read all safety instructions before beginning.
- Children must remain clear of construction site until this product is properly installed and ready for use.
- Save these instructions in the event the manufacturer has to be contacted.

The Consumer Product Safety Commission provides the following consumer information for your Home Playground Equipment

Select Protective Surfacing

One of the most important things you can do to reduce the likelihood of serious head injuries is to install shock-absorbing protective surfacing under and around your play equipment. The protective surfacing should be applied to a depth that is suitable for the equipment height in accordance with ASTM F1292. There are different types of surfacing to choose from; whichever product you select, follow these guidelines:

NOTE: Do not install home playground equipment over concrete, asphalt, packed earth, grass, carpet or any other hard surface. A fall onto a hard surface can result in serious injury or death to the equipment user. Grass and dirt are not considered protective surfacing because wear and environmental factors can reduce their shock absorbing effectiveness. Carpeting and thin mats are generally not adequate protective surfacing. Ground level equipment -- such as a sandbox, activity wall, playhouse or other equipment that has no elevated play surface -- does not need any protective surfacing.

Loose-Fill Materials

PlayStar Playsets require fall-height protection from eight feet.

- Maintain a minimum depth of 9 inches of loose-fill materials such as wood mulch / chips, engineered wood fiber (EWF), or shredded/recycled rubber mulch for

equipment up to 8 feet high. NOTE: An initial fill level of 12 inches will compress to about a 9-inch depth of surfacing over time. The surfacing will also compact, displace, and settle, and should be periodically refilled to maintain at least a 9-inch depth.

- Use containment, such as digging out around the perimeter and/or lining the perimeter with landscape edging. Don't forget to account for water drainage.
- Check and maintain the depth of the loose-fill surfacing material. To maintain the right amount of loose-fill materials, mark the correct level on play equipment support posts. That way you can easily see when to replenish and/or redistribute the surfacing.
- **Do not** install loose fill surfacing over hard surfaces such as concrete or asphalt.

Poured-In-Place Surfaces or Pre-Manufactured Rubber Tiles

You may be interested in using surfacing other than loose-fill materials -- like rubber tiles or poured-in-place surfaces.

- Installations of these surfaces generally require a professional and are not "do-it-yourself" projects.
- Review surface specifications before purchasing this type of surfacing. Ask the installer/manufacturer for a report showing that the product has been tested to the following safety standard: ASTM F1292 *Standard Specification for Impact Attenuation of Surfacing Materials within the Use Zone of Playground Equipment*. This report should show the specific height for which the surface is intended to protect against serious head injury.

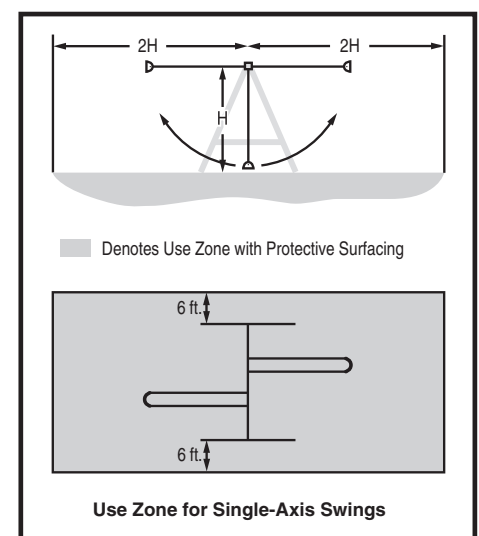
This height should be equal to or greater than the *fall height* - vertical distance between a designated play surface (*elevated surface for standing, sitting, or climbing*) and the protective surfacing below - of your play equipment.

- Check the protective surfacing frequently for wear.

Placement

Proper placement and maintenance of protective surfacing is essential. Be sure to;

- Extend surfacing at least 6 feet from the equipment in all directions.
- For to-fro swings, extend protective surfacing in front of and behind the swing to a distance equal to twice the height of the top bar from which the swing is suspended.



SAFETY

INSTALLATION:

1. Follow the instructions provided, do not alter its design in any way.
2. Place the equipment on level ground, not less than 6' (1.8m) from any structure or obstruction such as a fence, garage, house, overhanging branches, laundry lines or electrical wires. If the area where you will be installing your playset is not level, you must make it level.
3. Playsets must be anchored to the ground. Follow the anchoring instructions provided with your building kit. If soil conditions permit anchors to be pulled out easily, such as in sandy soil conditions, cementing is required.
4. Tighten all bolts securely to the intended member then cut off all protruding threaded ends of bolts with a hack saw **flush to the end of the nut** and remove sharp edges with a metal file.

WARNING: Children must not use the playset until properly installed and proper shock-absorbing surfacing material is in place.

OPERATION: *Observing and following statements and warnings reduces the likelihood of serious or fatal injury.*

1. On-site adult supervision is recommended for children of all ages.

2. Only one child, for each single planned seat or single planned activity should be allowed on this set at one time, with a maximum weight of **105 pounds** for each child.

WARNING: You must teach children the following:

- A. **Not** to walk close to, in front of, behind, or between moving items.
 - B. **Not** to twist swing chains or ropes or loop them over the top support bar since this may reduce the strength of the chain or rope.
 - C. **Avoid** swinging empty seats.
 - D. **To Sit** in the center of the swings with their full weight on the seats.
 - E. **Not** to use the equipment in a manner other than intended.
 - F. **Not** to get off equipment while it is in motion.
 - G. **Not** to climb when equipment is wet.
 - H. **Not** to attach items to the playground equipment that are not specifically designed for use with the equipment such as, but not limited to, jump ropes, clothesline, pet leashes, cables and chain as they may cause a strangulation hazard.
1. **Remove** bike or other sports helmet before playing on the playground equipment.
 3. Verify that suspended climbing ropes are secured at both ends and that they cannot be looped back on themselves.

4. Dress children appropriately and do not allow them to wear inappropriate items, such as but not limited to, loose fitting clothing, hood and neck draw strings, scarves, cord-connected items, capes, and ponchos. These items can cause death by strangulation. Provide well-fitting and full enclosure footwear. Examples of inappropriate footwear are clogs, flip flops, and sandals.
5. Verify that all suspended swinging components have at least 8" clearance between the lowest point of component and top of shock-absorbing surfacing material.

WARNING: Lawn swings are designed for use by children two years of age and older. Use by children under the age of two can result in entrapment between the seat and backrest. **NEVER** place children in a rearward facing position or with legs between the seat and backrest because the child's body may pass through the opening causing entrapment of the child's head.

DISPOSAL:

When the playset is to be retired from service, disassemble and dispose of in such a way that no unreasonable hazards will exist. Follow your local disposal requirements.

ANNUAL MAINTENANCE CHECKLIST

(Copy this section as needed and maintain for your records or visit www.playstarinc.com/maintenance)



At the beginning of play season: Date: _____

- Tighten all hardware.
- Lubricate all metallic moving parts per manufacturer's instructions.
- Check all protective coverings on bolts, pipes, edges, and corners. Replace if they are loose, cracked, or missing.
- Check all moving parts including swing seats, ropes, cables, and chains for wear, rust, or other deterioration. Replace as needed.
- Check metal parts for rust. If found, sand and repaint using a nonlead-based paint meeting the requirements of 16 CFR 1303.
- Check all wood members for deterioration and splinters. Sand down splinters and replace deteriorating wood members.
- Reinstall any plastic parts, such as swing seats or any other items that were removed for the cold season.
- Rake and check depth of loose fill protective surfacing materials to prevent compaction and to maintain appropriate depth. Replace as necessary.

Twice a month during play season: Date: _____

- Tighten all hardware.
- Check all protective coverings on bolts, pipes, edges, and corners. Replace if they are loose, cracked, or missing.
- Rake and check depth of loose fill protective surfacing materials to prevent compaction and to maintain appropriate depth. Replace as necessary.

Once a month during play season: Date: _____

- Lubricate all metallic moving parts per manufacturer's instructions.
- Check all moving parts including swing seats, ropes, cables, and chains for wear, rust, or other deterioration. Replace as needed.

At the end of each play season or when the temperature drops below 0° F: Date: _____

- Remove plastic swing seats and other items as specified by the manufacturer and take indoors or do not use.
- Rake and check depth of loose fill protective surfacing materials to prevent compaction and to maintain appropriate depth. Replace as necessary.

Owner shall be responsible for maintaining the legibility of any warning labels.

If any of these conditions exist, call 1-888-752-9782 for ordering information.

Clean plastic components with warm water and a mild detergent such as dish soap.

TOOLS REQUIRED

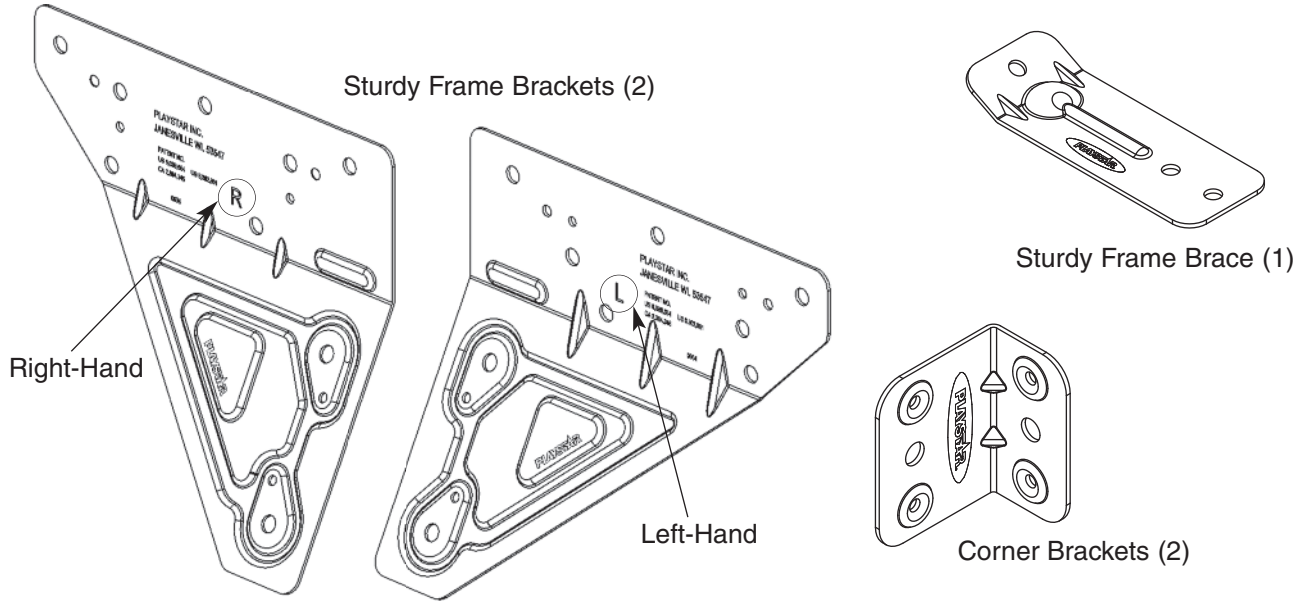
Socket Wrench
 1/16" Socket
 Adjustable Wrench
 Ladder
 Tape Measure

Safety Glasses
 Drill
 Square
 Phillips Screwdriver

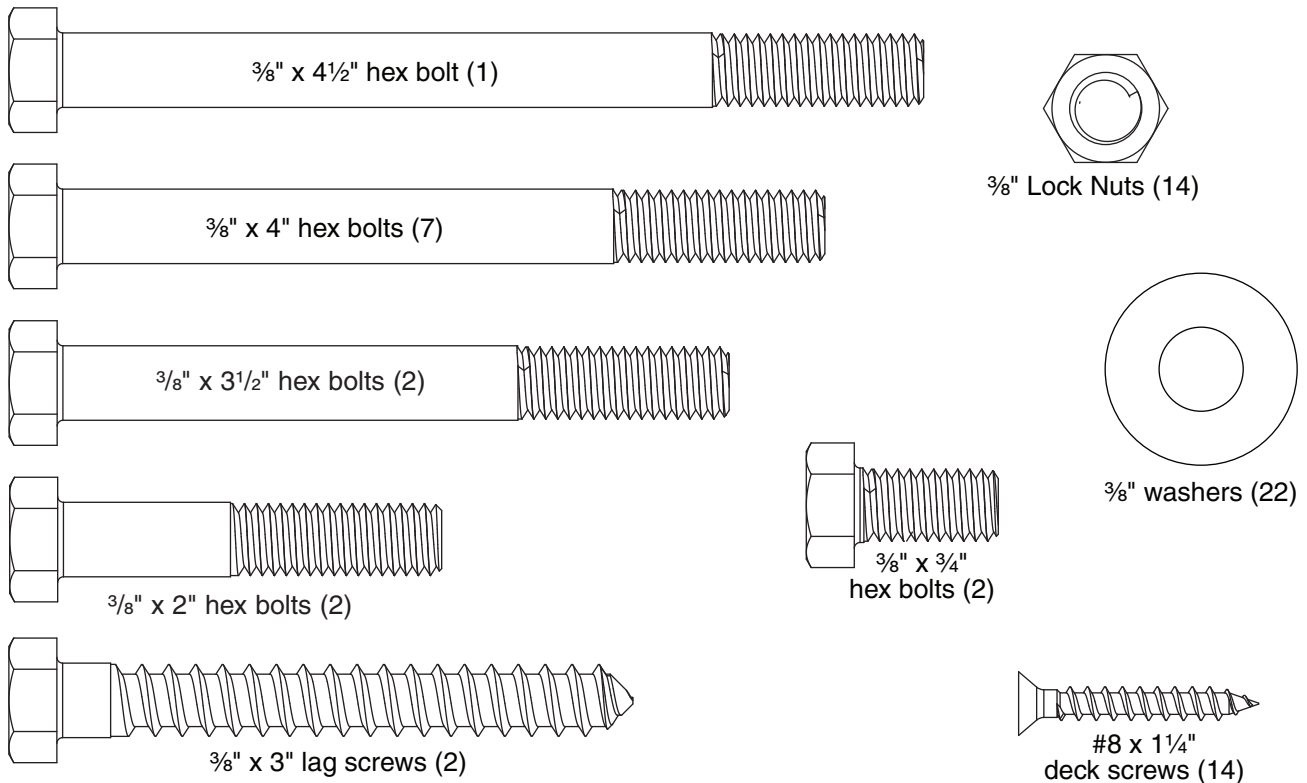
Saw
 Hammer
 1/8", 1/4" & 3/8" Drill Bit
 1 1/8" Spade Bit

Pencil
 Tape
 Chalk
 Saw Horses

COMPONENTS INCLUDED



HARDWARE INCLUDED (shown actual size)

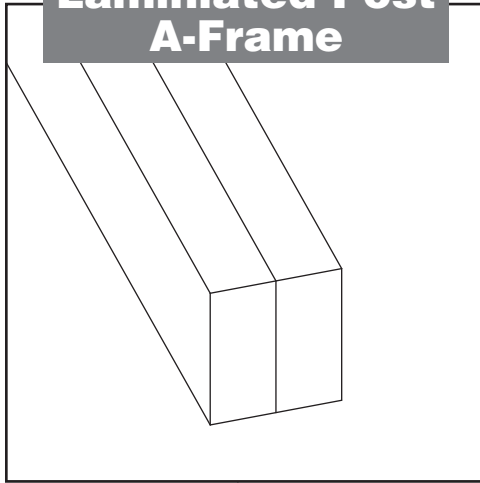




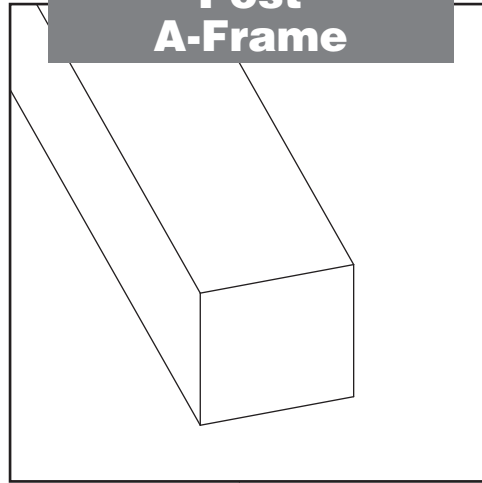
READ!

You will need to familiarize yourself with the different types of A-Frames before you begin. You may build any combination (2" x 4" Laminated Post A-Frame or 4" x 4" Post A-Frame) to complete your project according to the materials you have on hand.

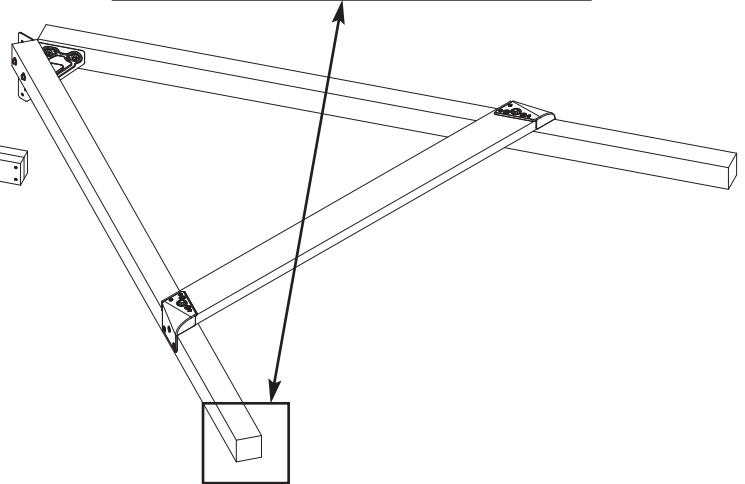
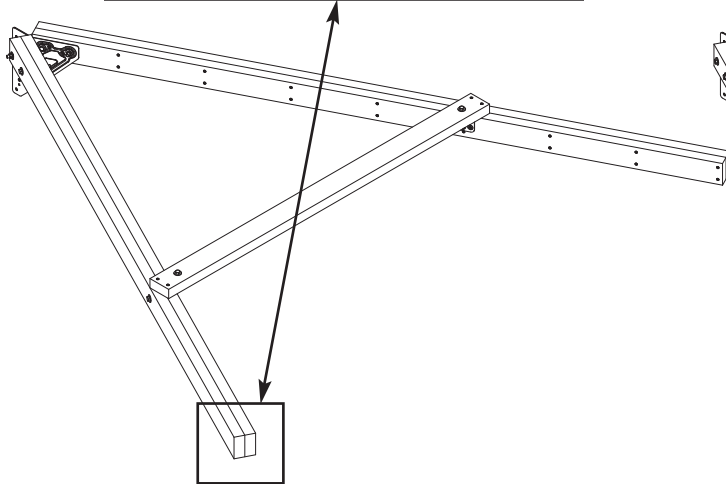
**2" x 4"
Laminated Post
A-Frame**



**4" x 4"
Post
A-Frame**



OR



**BUILDING
TIP!**

For Cutting Guide on the following 2 pages.

Cut all your lumber now, marking each board by size as you go. Stack identical size boards in neat piles.

(If you do not want to mark on lumber, use masking tape or chalk.)

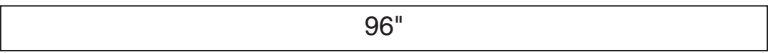
This will improve your building time greatly because you will be able to readily locate boards by size as the instructions call for them.

CUTTING GUIDE

Extend-A-Bay (Left-Hand or Right-Hand)

Use boards purchased with this Extend-A-Bay Kit, together with boards from your existing PlayStar Playset to give you the following boards needed.

2" x 4" x 8' – ten (10) boards required

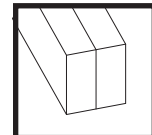
(10) Boards:  96"
4 boards purchased with Extend-A-Bay Kit & 6 boards from existing PlayStar Playset

Follow this Cutting Guide if the posts on your A-Frame are made with:


**Laminated
2" x 4"**

2" x 6" x 10' – two (2) boards required

(2) Boards:  120"
purchased with Extend-A-Bay Kit




2" x 6" x 8' – two (2) boards required

(2) Boards:  96"
from existing PlayStar Playset

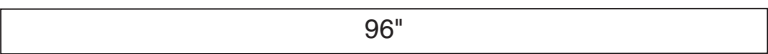
If you have 2" x 6" x 120" boards from your existing playset you will need to cut them down to 96".

2" x 4" x 8' – two (2) boards required

(2) Boards:  60"
1 board purchased with Extend-A-Bay Kit & 1 board from existing PlayStar Playset

OR

4" x 4" x 8' – five (5) boards required

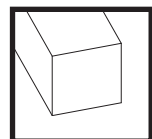
(5) Boards:  96"
2 boards purchased with Extend-A-Bay Kit & 3 boards from existing PlayStar Playset

Follow this Cutting Guide if the posts on your A-Frame are made with:


4" x 4"

2" x 6" x 10' – two (2) boards required

(2) Boards:  120"
purchased with Extend-A-Bay Kit




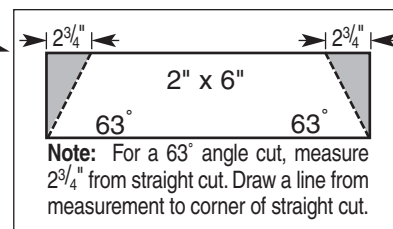
2" x 6" x 8' – two (2) boards required

(2) Boards:  96"
from existing PlayStar Playset

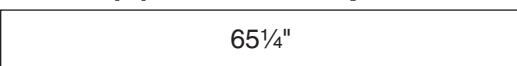
If you have 2" x 6" x 120" boards from your existing playset you will need to cut them down to 96".

2" x 6" x 8' – one (1) boards required

(1) Board:  71"
purchased with Extend-A-Bay Kit (CUT THIS BOARD AS SHOWN)



2" x 6" x 8' – one (1) boards required

(1) Board:  65¹/₄"
from existing PlayStar Playset

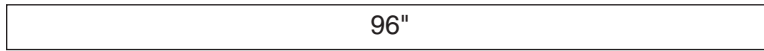
Free-Standing

Follow this Cutting Guide if the posts on your A-Frame are made with:

**Laminated
2" x 4"**

2" x 4" x 8' – eight (8) boards required

(8) boards



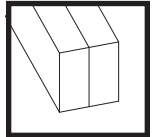
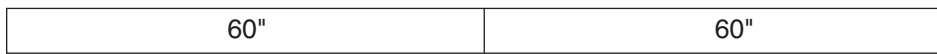
2" x 6" x 12' – two (2) boards required

(2) boards



2" x 4" x 10' – 1 (1) board required

(1) board



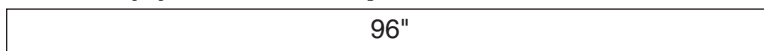
OR

Follow this Cutting Guide if the posts on your A-Frame are made with:

4" x 4"

4" x 4" x 8' – four (4) boards required

(4) boards

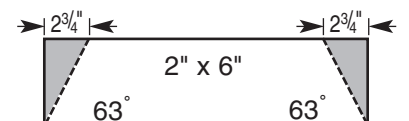
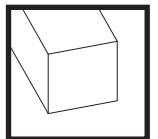
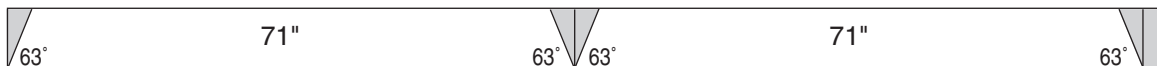


2" x 6" x 12' – three (3) boards required

(2) boards



(1) board



Note: For a 63° angle cut, measure $2\frac{3}{4}$ " from straight cut. Draw a line from measurement to corner of straight cut.

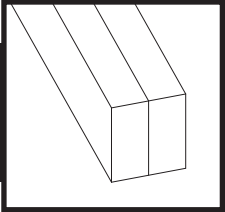


**2" x 4" A-Frame Assemblies
Follow Pages 8-12**

**4" x 4" A-Frame Assemblies
Follow Pages 13-16**

A-Frame Assembly

2' x 4' Laminated Post



Follow Pages 8-12 • Skip to Page 13 for 4'x4' Post A-Frame Assembly

Items for **STEP 1:**

Extend A Bay Swing Beam

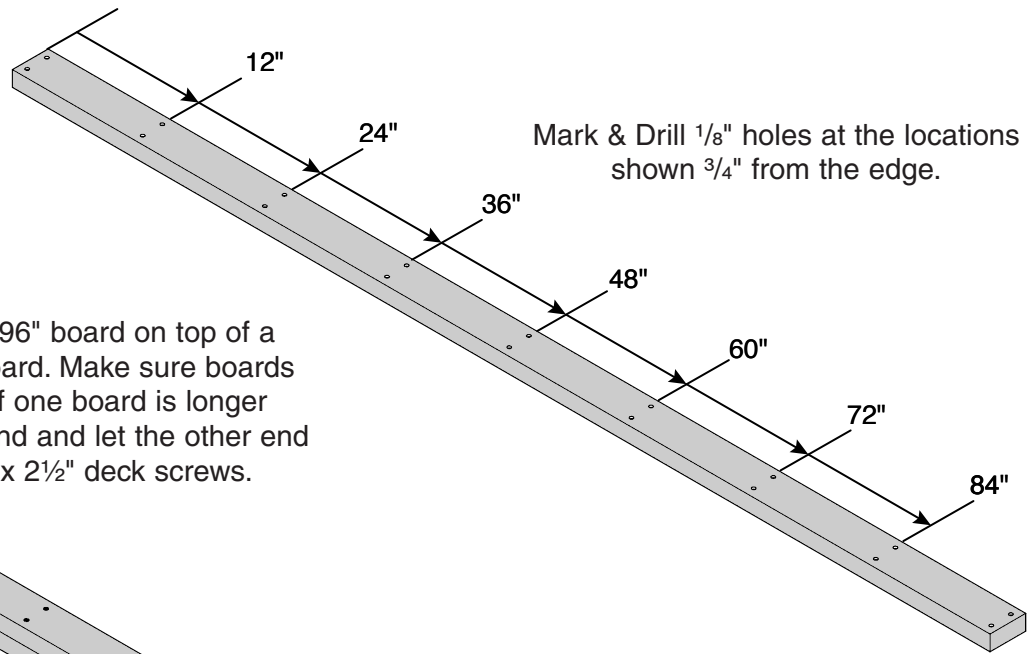
3 Post 5 Post

- (6) or (10) 2" x 4" x 96" boards
- (54) or (90) #8 x 2½" deck screws

Stand Alone Swing Station

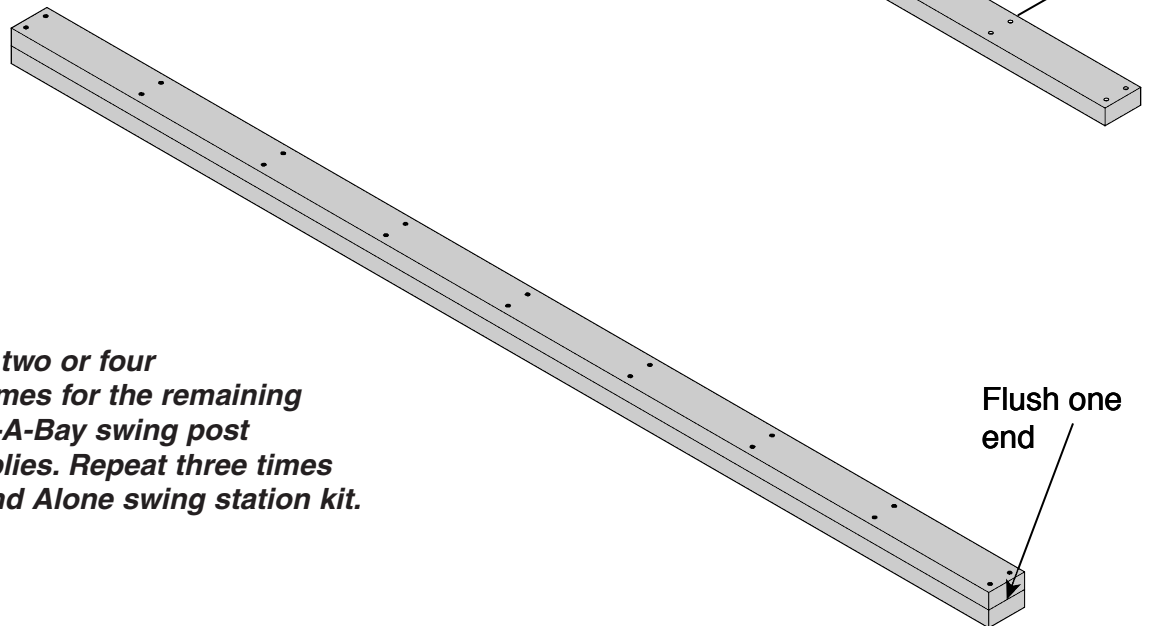
- (8) 2" x 4" x 96" boards
- (72) #8 x 2½" deck screws

Note: Quantities will vary depending on the materials used to build the A-Frames.



Assemble swing posts.

Place one drilled 2" x 4" x 96" board on top of a non-drilled 2" x 4" x 96" board. Make sure boards are flush with each other. If one board is longer than the other, flush one end and let the other end hang over. Secure with #8 x 2½" deck screws.



Note: Repeat two or four more times for the remaining Extend-A-Bay swing post assemblies. Repeat three times for Stand Alone swing station kit.

Items for **STEP 2:**

Extend-A-Bay Swing Station

3 Post 5 Post

- (3) or (5) Swing Post Assemblies
- (3) or (5) Sturdy-Frame Brackets
- (6) or (10) $\frac{3}{8}$ " x 4" hex bolts
- (12) or (20) $\frac{3}{8}$ " washers
- (6) or (10) $\frac{3}{8}$ " lock nuts
- (6) or (10) #8 x 1 $\frac{1}{4}$ " deck screws

Free-Standing Swing Station

- (4) Swing Post Assemblies
- (4) Sturdy-Frame Brackets
- (8) $\frac{3}{8}$ " x 4" hex bolts
- (16) $\frac{3}{8}$ " washers
- (8) $\frac{3}{8}$ " lock nuts
- (8) #8 x 1 $\frac{1}{4}$ " deck screws

Caution: *Make sure bolts are tight and the threads of each bolt are at least flush to the end of the nut to ensure proper engagement.*

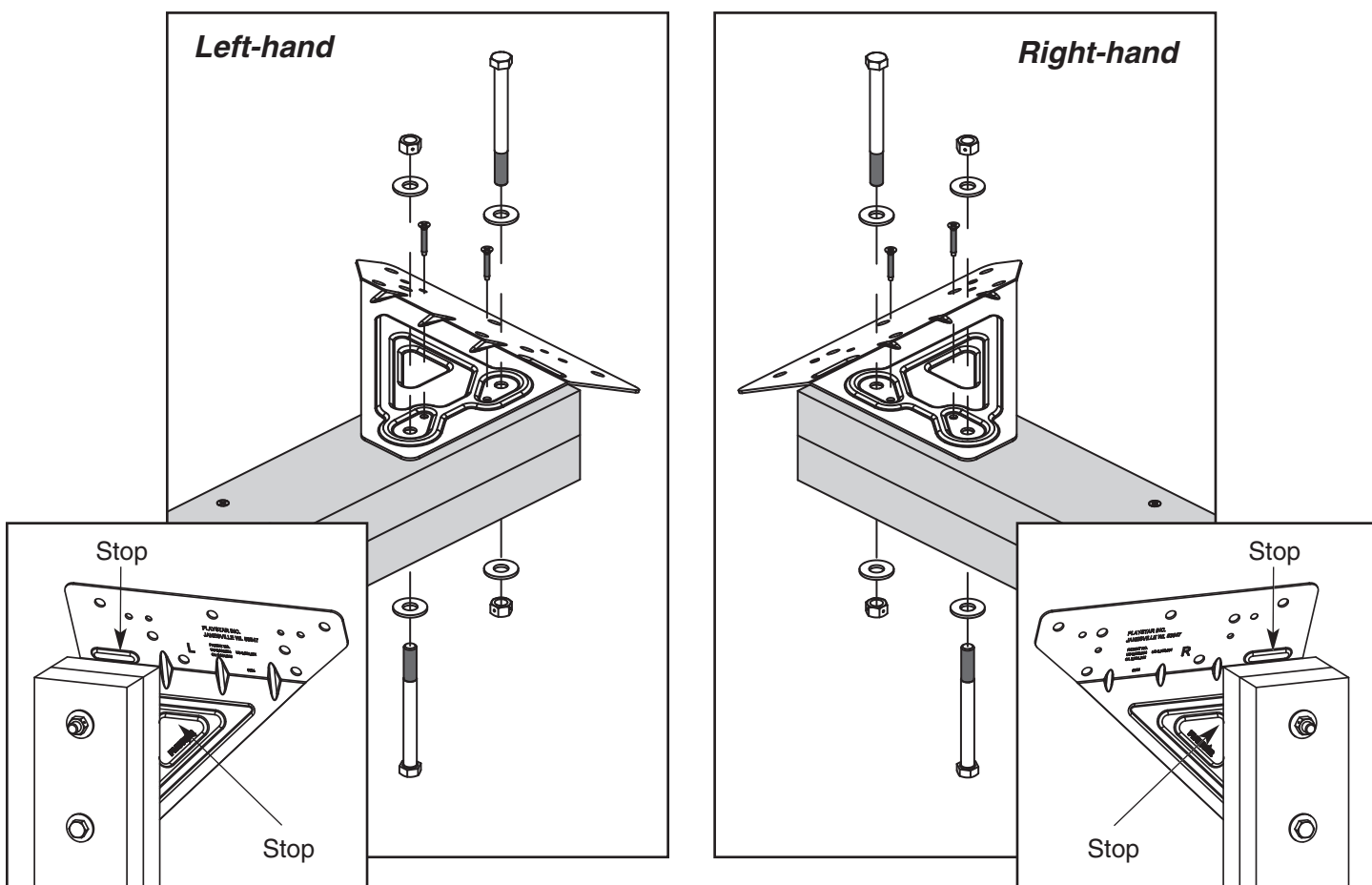
Note: *Quantities will vary depending on the materials used to build the A-Frames.*

Attach sturdy-frame brackets onto separate swing post assemblies (brackets are stamped R and L).

Lay bracket on the flush end of post as shown. Slide bracket over and down until it stops against the top and side of the post as shown. When correctly positioned, the edge of the sturdy-frame bracket will be parallel with the side of the post. Use the bracket as a drill guide and drill two $\frac{1}{8}$ " holes 1" deep into the posts. Attach with two #8 x 1 $\frac{1}{4}$ " deck screws.

Again use the bracket as a drill guide and drill two $\frac{3}{8}$ " holes through the post. Secure bracket with two $\frac{3}{8}$ " x 4" hex bolts, $\frac{3}{8}$ " washers and $\frac{3}{8}$ " lock nuts.

Repeat for each post.



Rear View of bracket and post assembly showing correct position.

Rear View of bracket and post assembly showing correct position.

Items for **STEP 3:**

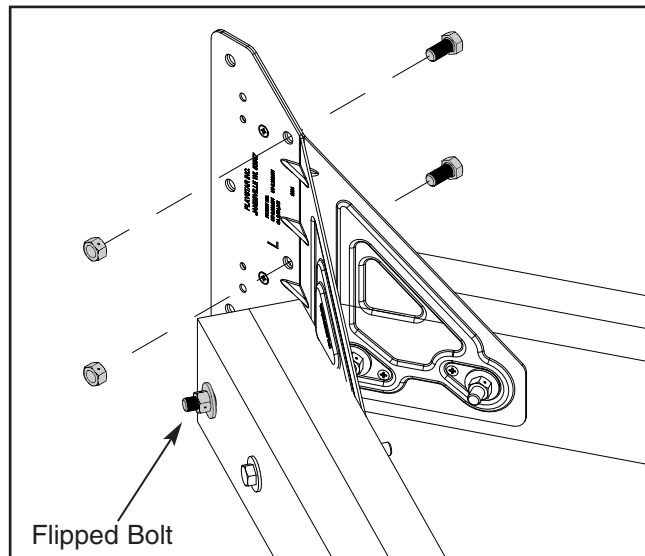
1 A-Frame 2 A-Frames

- (2) or (4) $\frac{3}{8}$ " x $\frac{3}{4}$ " hex bolts
- (2) or (4) $\frac{3}{8}$ " lock nuts

Note: Quantities will vary depending on the materials used to build the A-Frames.

Mate the left-hand bracket assembly with the flipped bolt to one right-hand bracket assembly as shown.

Secure with two $\frac{3}{8}$ " x $\frac{3}{4}$ " hex bolts and $\frac{3}{8}$ " lock nuts through the two lower holes of brackets as shown (do not use flat washers).



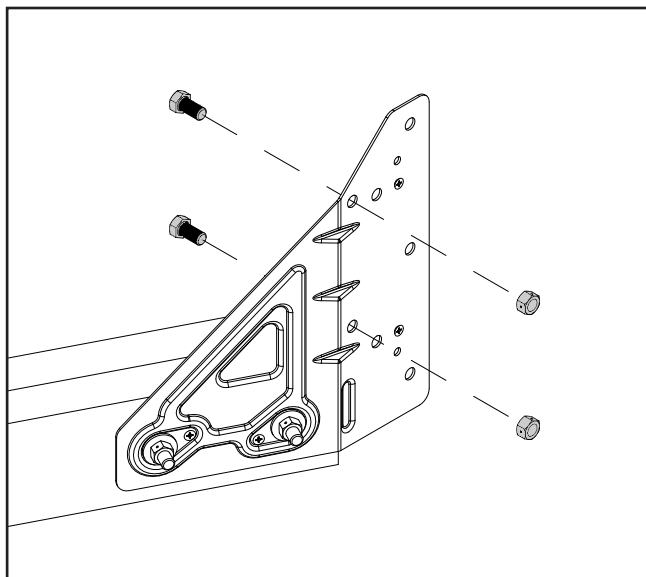
Single Leg Post - Skip this step for Free Standing Swing Station

Items for **STEP 4:**

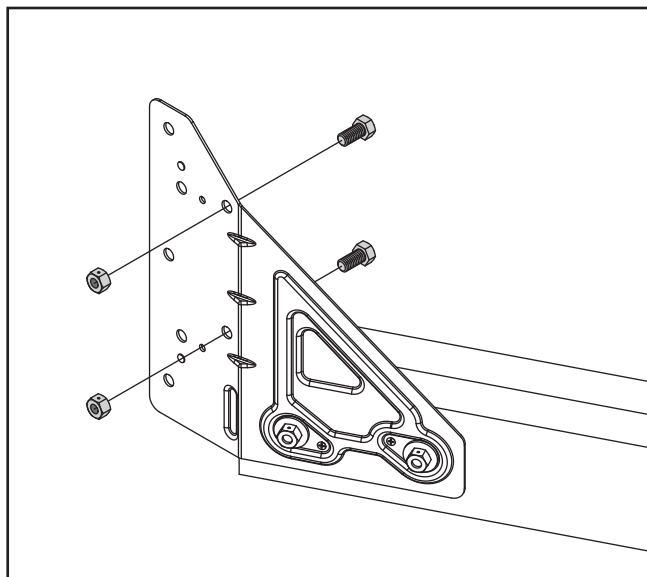
- (2) $\frac{3}{8}$ " x $\frac{3}{4}$ " hex bolts
- (2) $\frac{3}{8}$ " lock nuts

Place two $\frac{3}{8}$ " x $\frac{3}{4}$ " hex bolts and $\frac{3}{8}$ " lock nuts through the two lower holes of bracket on single post as shown (do not use flat washers).

Note: These bolts are necessary to properly align the single post assembly to beam at a later step.



Left-hand



Right-hand

Items for **STEP 5:**

1 A-Frame 2 A-Frames

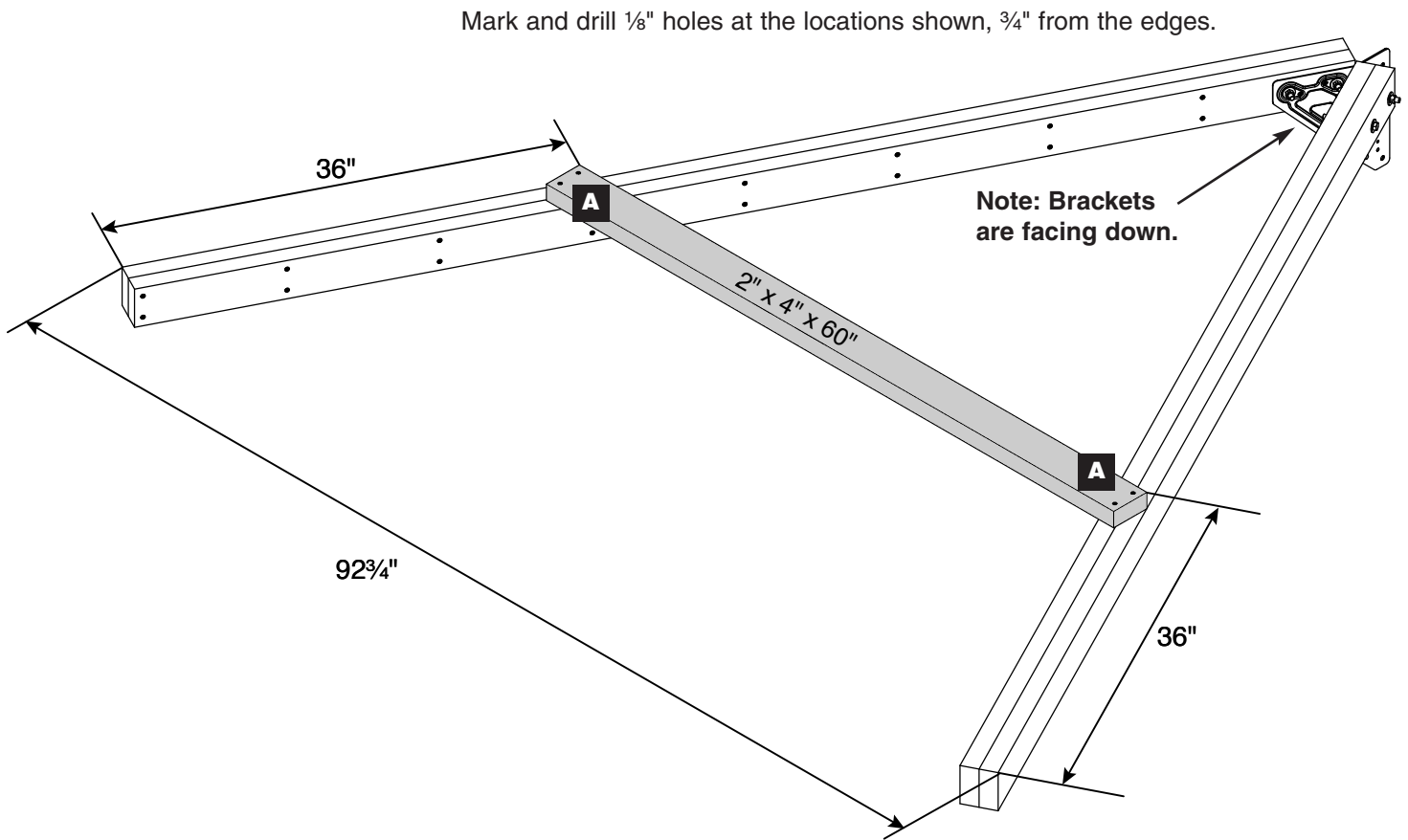
- (1) or (2) 2" x 4" x 60" board
- (4) or (8) #8 x 2½" deck screws

Note: Quantities will vary depending on the materials used to build the A-Frames.

Position assembly as shown.

Align the posts so that the outermost points measure 92¾" as shown.

Attach 2" x 4" x 60" board at dimension shown. Secure with #8 x 2½" deck screws.



SEE PAGE 6 OF YOUR ORIGINAL PLAYSTAR PLAYSET INSTRUCTIONS FOR HOLE PATTERNS

Items for STEP 6:

1 A-Frame	2 A-Frame	
(2)	or (4)	corner brackets
(8)	or (16)	#8 x 1 1/4" screws
(2)	or (4)	3/8" x 3 1/2" hex bolts
(2)	or (4)	3/8" x 2" hex bolts
(4)	or (8)	3/8" washers
(4)	or (8)	3/8" lock nuts

Note: Quantities will vary depending on the materials used to build the A-Frames.

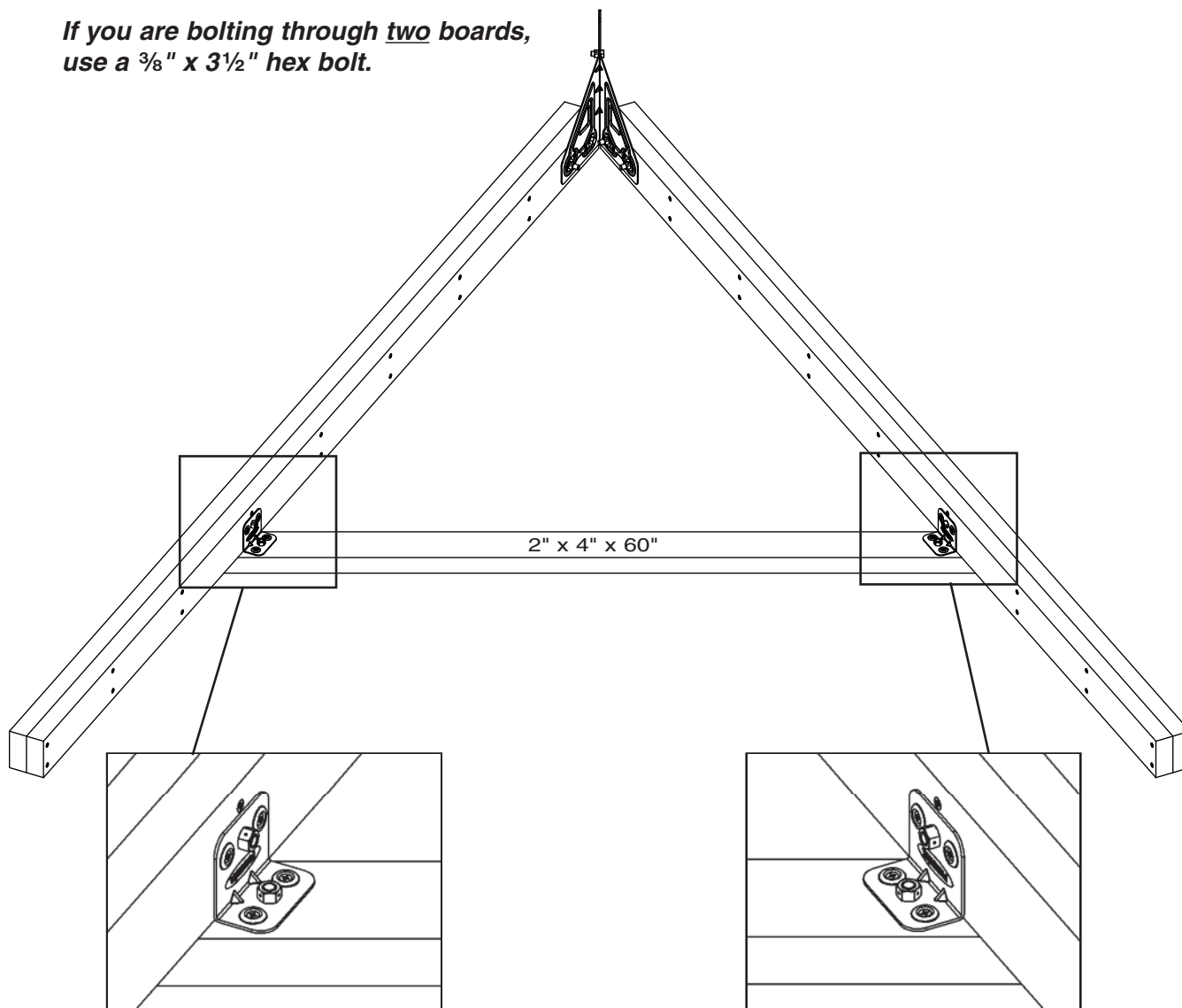
Attach corner brackets. To complete the A-Frame Assembly, flip over as shown and position brackets so that the short side is against the 2" x 4" x 60" board.

Use the bracket as a drill guide and drill 1/8" holes 1" deep into the board. Attach with #8 x 1/4" deck screws.

Again use the bracket as a drill guide and drill, on the lumber side, 3/8" holes completely through the boards. Secure with 3/8" hex bolts, 3/8" washers (on the lumber side) and 3/8" lock nuts.

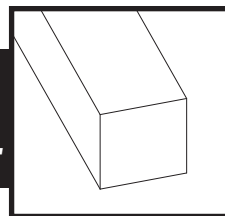
NOTE: If you are bolting through one board, use a 3/8" x 2" hex bolt.

If you are bolting through two boards, use a 3/8" x 3 1/2" hex bolt.



A-Frame Assembly

4' x 4' Post



Follow Pages 13-16

Items for STEP 1:

Extend-A-Bay Swing Station

3 Post 5 Post

- (3) or (5) 4" x 4" x 96" boards
- (2) or (5) Sturdy-Frame Brackets
- (4) or (10) 3/8" x 4" hex bolts
- (8) or (20) 3/8" washers
- (4) or (10) 3/8" lock nuts
- (4) or (10) #8 x 1 1/4" deck screws

Note: Quantities will vary depending on the materials used to build the A-Frames.

Install Sturdy-Frame Brackets onto separate 4" x 4" boards. (Brackets are stamped R and L)

Position bracket flat on a 4" x 4" board as shown. Slide bracket over and down until it stops against the top and the side of the 4" x 4" board. When correctly positioned, the edge of the Sturdy-Frame Bracket will be parallel with the edge of the 4" x 4" board. Attach bracket with #8 x 1 1/4" deck screws.

Free-Standing Swing Station

- (4) 4" x 4" x 96" boards
- (3) Sturdy-Frame Brackets
- (6) 3/8" x 4" hex bolts
- (12) 3/8" washers
- (6) 3/8" lock nuts
- (6) #8 x 1 1/4" deck screws

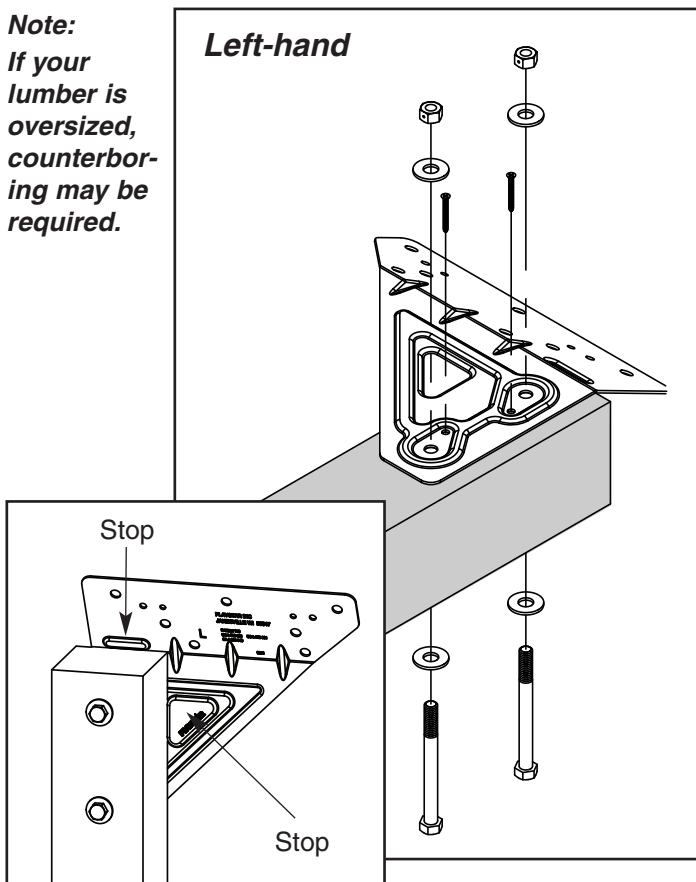
Using the Sturdy-Frame Bracket as a drill guide, drill two 3/8" holes through the 4" x 4" board. Secure with two 3/8" x 4" hex bolts with 3/8" washers and lock nuts.

Repeat for each assembly.

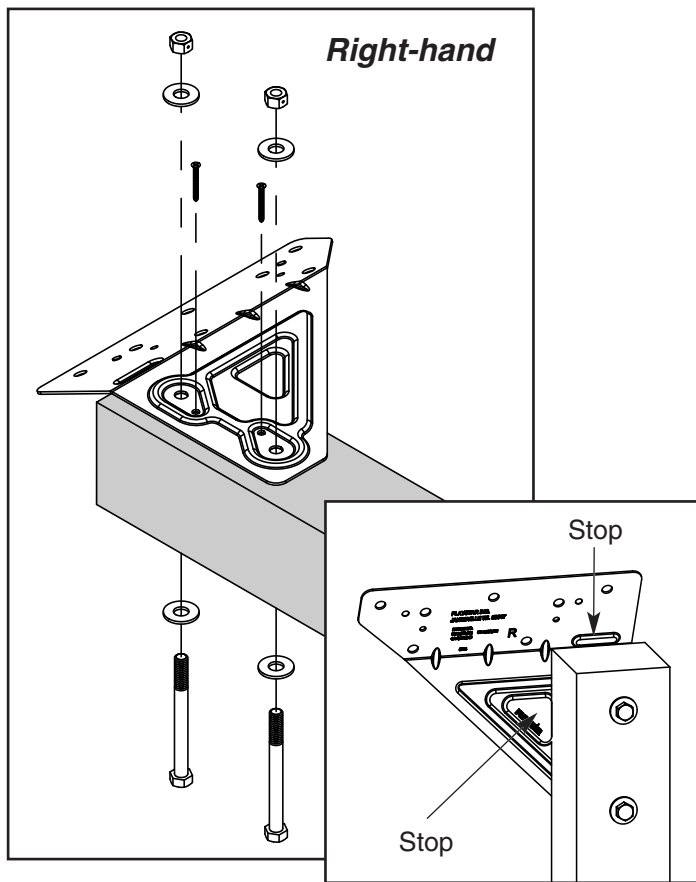
Caution: Make sure bolts are tight and the threads of each bolt are at least flush to the end of the nut to ensure proper engagement.

Note:
If your lumber is oversized, counterboring may be required.

Left-hand



Right-hand



Rear View of bracket and post assembly showing correct position.

Rear View of bracket and post assembly showing correct position.

Items for **STEP 2:**

1 A-Frame 2 A-Frames

- (2) or (4) $\frac{3}{8}$ " x $\frac{3}{4}$ " hex bolts
- (2) or (4) $\frac{3}{8}$ " lock nuts

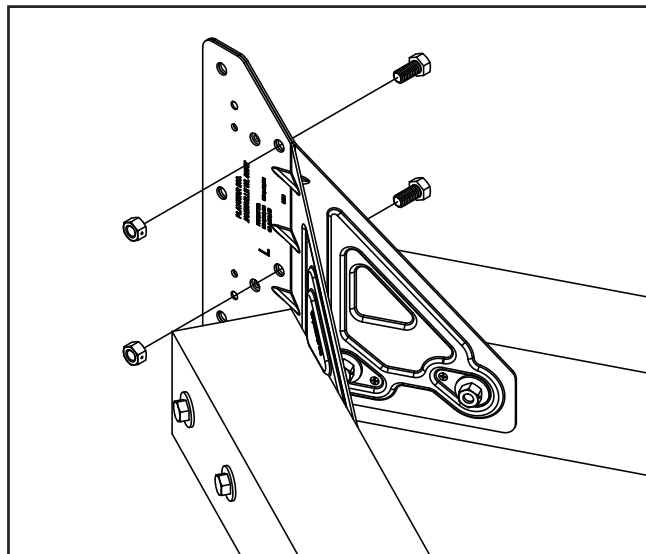
Mate one Right-hand Bracket Assembly to one Left-hand Bracket Assembly to create an A-Frame Assembly. Secure with $\frac{3}{8}$ " x $\frac{3}{4}$ " hex bolts and lock nuts (do not use washers).

Repeat as necessary.

Note: *These bolts are necessary to properly align the 4"x4" Assembly to beam at a later step.*

Note: *Quantities will vary depending on the materials used to build the A-Frames.*

A-Frame Assembly



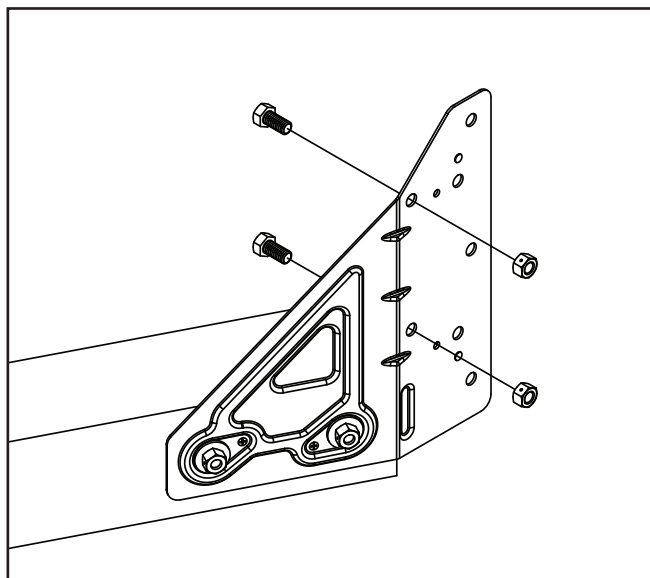
Single Leg Post - Skip this step for Free Standing Swing Station

Items for **STEP 3:**

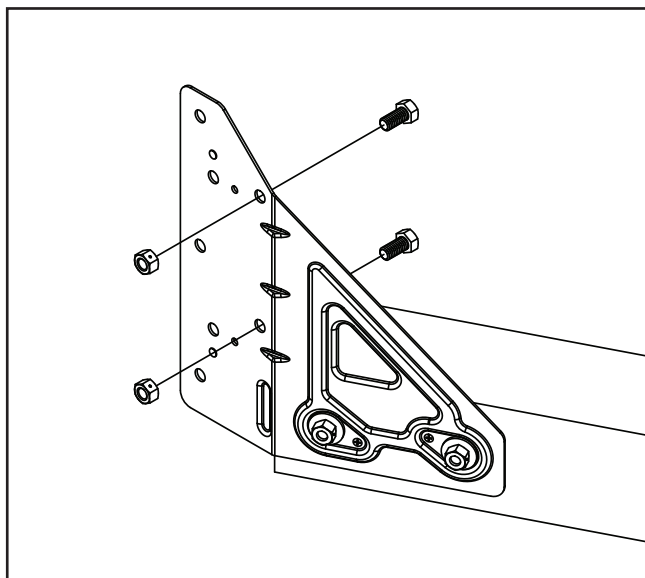
- (2) $\frac{3}{8}$ " x $\frac{3}{4}$ " hex bolts
- (2) $\frac{3}{8}$ " lock nuts

Place two $\frac{3}{8}$ " x $\frac{3}{4}$ " hex bolts and lock nuts through the two lower holes of bracket on single 4" x 4" Assembly (do not use washers).

Note: *These bolts are necessary to properly align the 4"x4" Assembly to beam at a later step.*



Left-hand



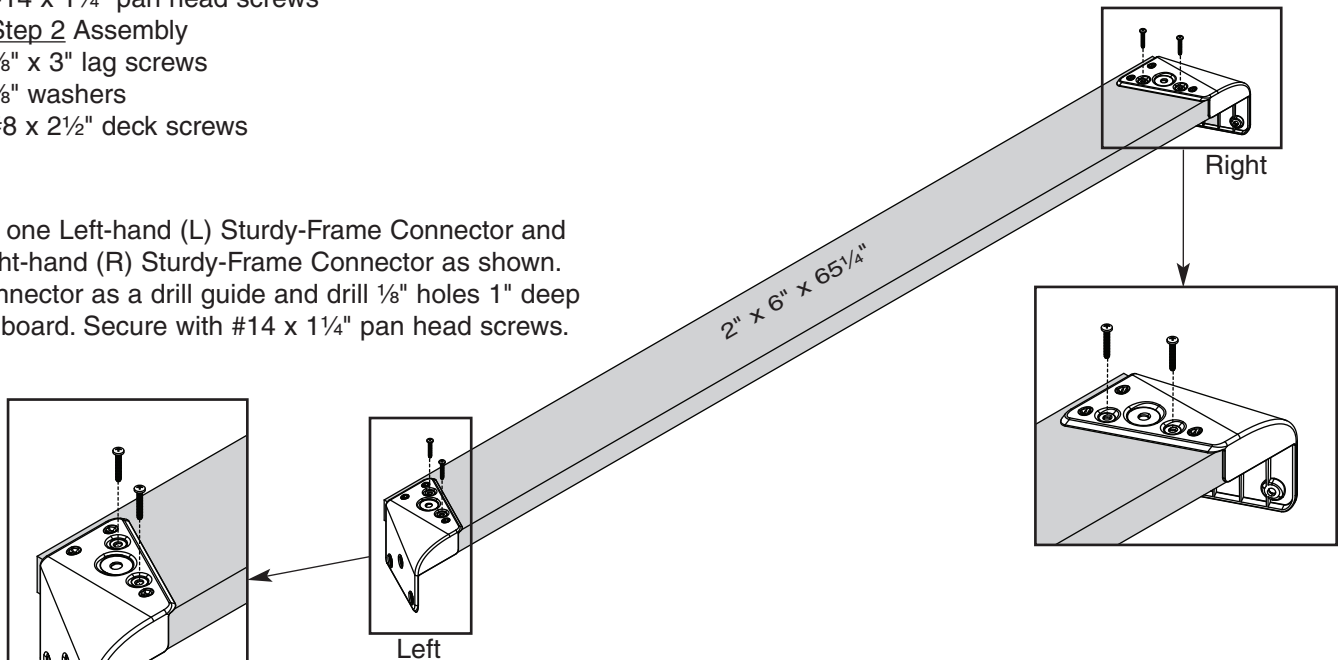
Right-hand

Sturdy Frame Connectors - If not available, skip to Step 3B

Items for STEP 3A (with Sturdy Frame Connectors):

- (1) 2" x 6" x 65 $\frac{1}{4}$ " board
 - (1) Left-hand Sturdy-Frame Connector
 - (1) Right-hand Sturdy-Frame Connector
 - (10) #14 x 1 $\frac{1}{4}$ " pan head screws
 - (1) Step 2 Assembly
 - (2) $\frac{3}{8}$ " x 3" lag screws
 - (2) $\frac{3}{8}$ " washers
 - (6) #8 x 2 $\frac{1}{2}$ " deck screws
- } from existing PlayStar Playset. **If not available, skip to step 3B.**

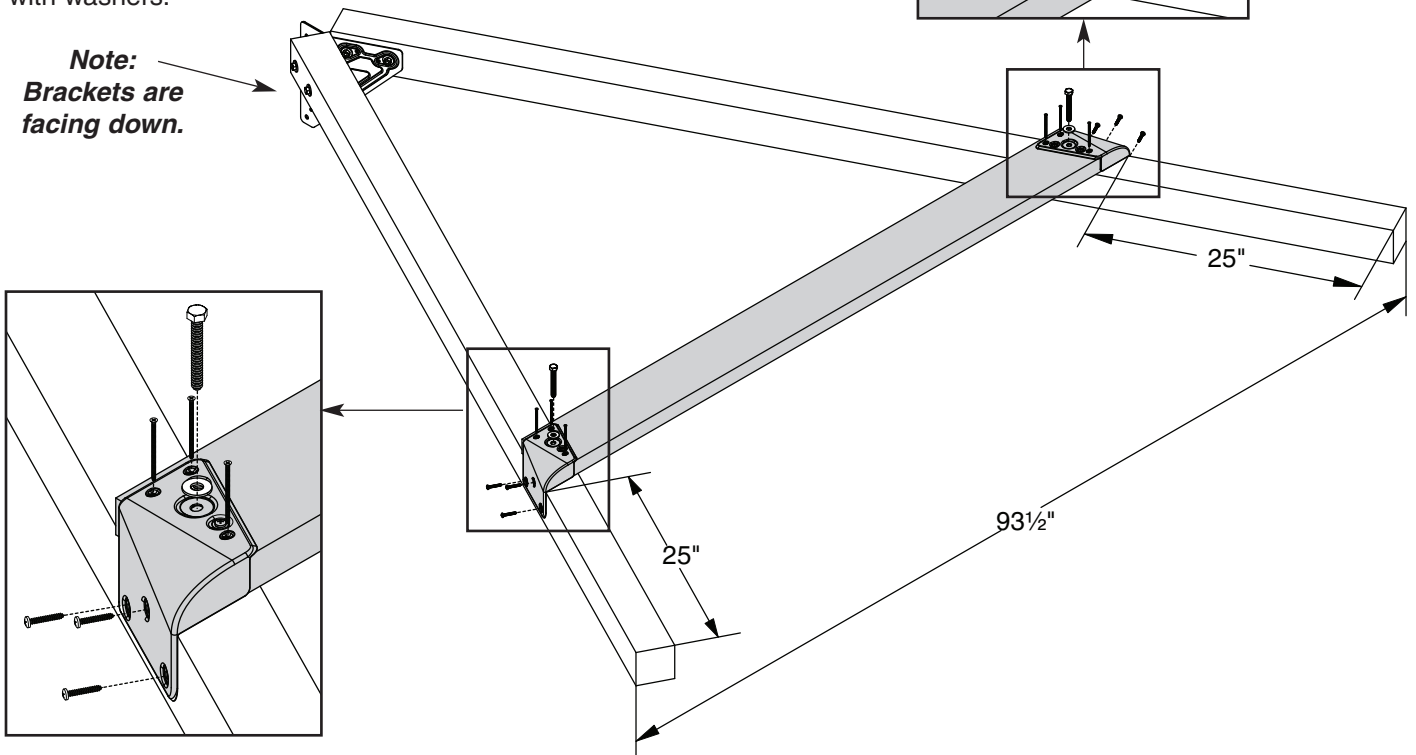
Position one Left-hand (L) Sturdy-Frame Connector and one Right-hand (R) Sturdy-Frame Connector as shown. Use Connector as a drill guide and drill $\frac{1}{8}$ " holes 1" deep into the board. Secure with #14 x 1 $\frac{1}{4}$ " pan head screws.



Predrill –
 $\frac{1}{8}$ " Dia. for #8 x 2 $\frac{1}{2}$ " deck screws
 $\frac{1}{8}$ " Dia. for #14 x 1 $\frac{1}{4}$ " pan head screws
 $\frac{1}{4}$ " Dia. for $\frac{3}{8}$ " x 3" lag screws

Position assemblies as shown. Secure with #14 x 1 $\frac{1}{4}$ " pan head screws, #8 x 2 $\frac{1}{2}$ " deck screws and $\frac{3}{8}$ " x 3" lag screws with washers.

Note:
 Brackets are facing down.



No Sturdy Frame Connectors - Follow this Step

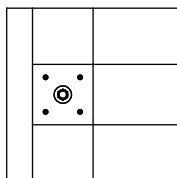
Items for STEP 3B:

- (1) Step 2 Assembly
- (1) 2" x 6" x 71" Board
- (2) 3/8" x 3" lag screws
- (2) 3/8" washers
- (8) #8 x 2 1/2" deck screws

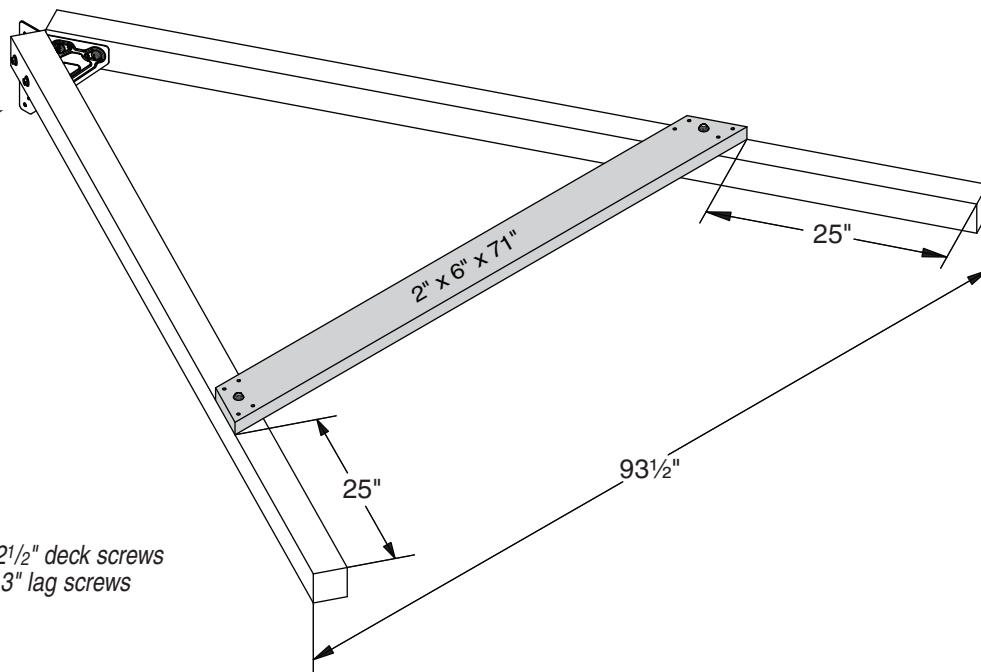
Position assembly and board as shown. Secure with #8 x 2 1/2" deck screws and 3/8" x 3" lag screws with 3/8" washers.

Note:
Brackets are facing down.

Detail of Screw Placement

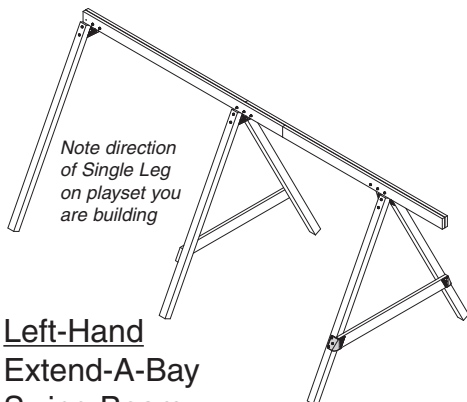


Predrill –
1/8" Dia. for #8 x 2 1/2" deck screws
1/4" Dia. for 3/8" x 3" lag screws



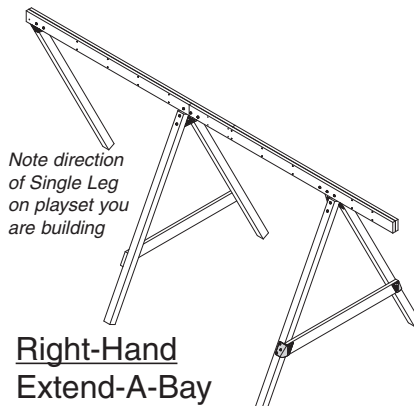
READ!

If your swing beam looks like this, follow instructions on:
Pages 17 - 21



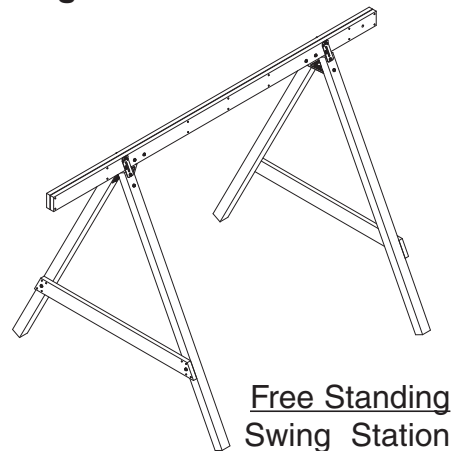
Left-Hand
Extend-A-Bay
Swing Beam

If your swing beam looks like this, follow instructions on:
Pages 22 - 26



Right-Hand
Extend-A-Bay
Swing Beam

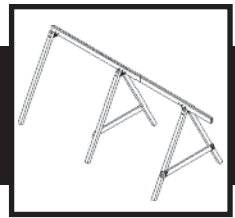
If you are building the Swing Station, follow instructions on:
Pages 27 - 31



Free Standing
Swing Station

Extend-A-Bay Assembly

Left-Hand

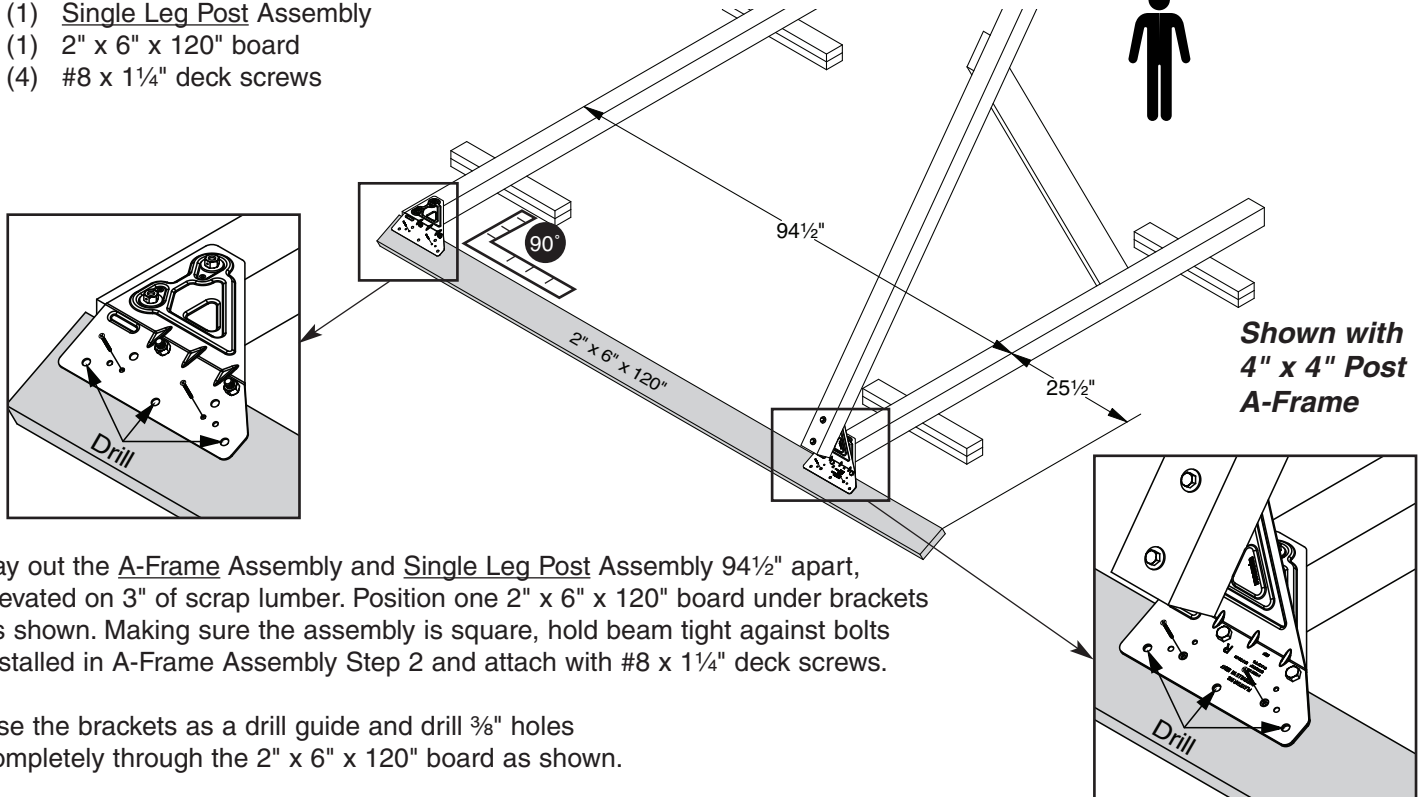


Follow Pages 17-20 • Skip to Page 21 for Right-Hand Assembly

Items for STEP 1:

- (1) A-Frame Assembly
- (1) Single Leg Post Assembly
- (1) 2" x 6" x 120" board
- (4) #8 x 1 1/4" deck screws

Helpful Hint: If you are standing here looking at the assembly, the A-Frame will be on your left side, the single post will be on your right side and the brackets will be pointing the same direction.



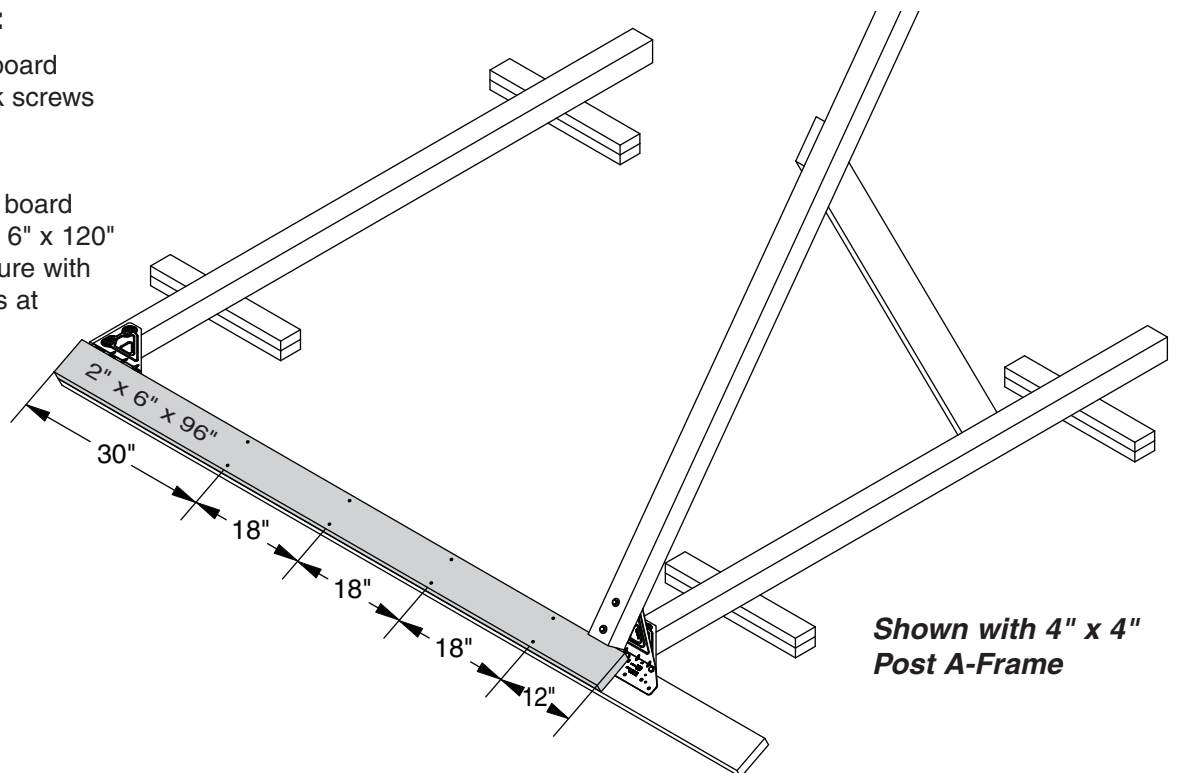
Lay out the A-Frame Assembly and Single Leg Post Assembly 94 1/2" apart, elevated on 3" of scrap lumber. Position one 2" x 6" x 120" board under brackets as shown. Making sure the assembly is square, hold beam tight against bolts installed in A-Frame Assembly Step 2 and attach with #8 x 1 1/4" deck screws.

Use the brackets as a drill guide and drill 3/8" holes completely through the 2" x 6" x 120" board as shown.

Items for STEP 2:

- (1) 2" x 6" x 96" board
- (8) #8 x 2 1/2" deck screws

Position 2" x 6" x 96" board directly on top of 2" x 6" x 120" board as shown. Secure with #8 x 2 1/2" deck screws at dimensions shown.



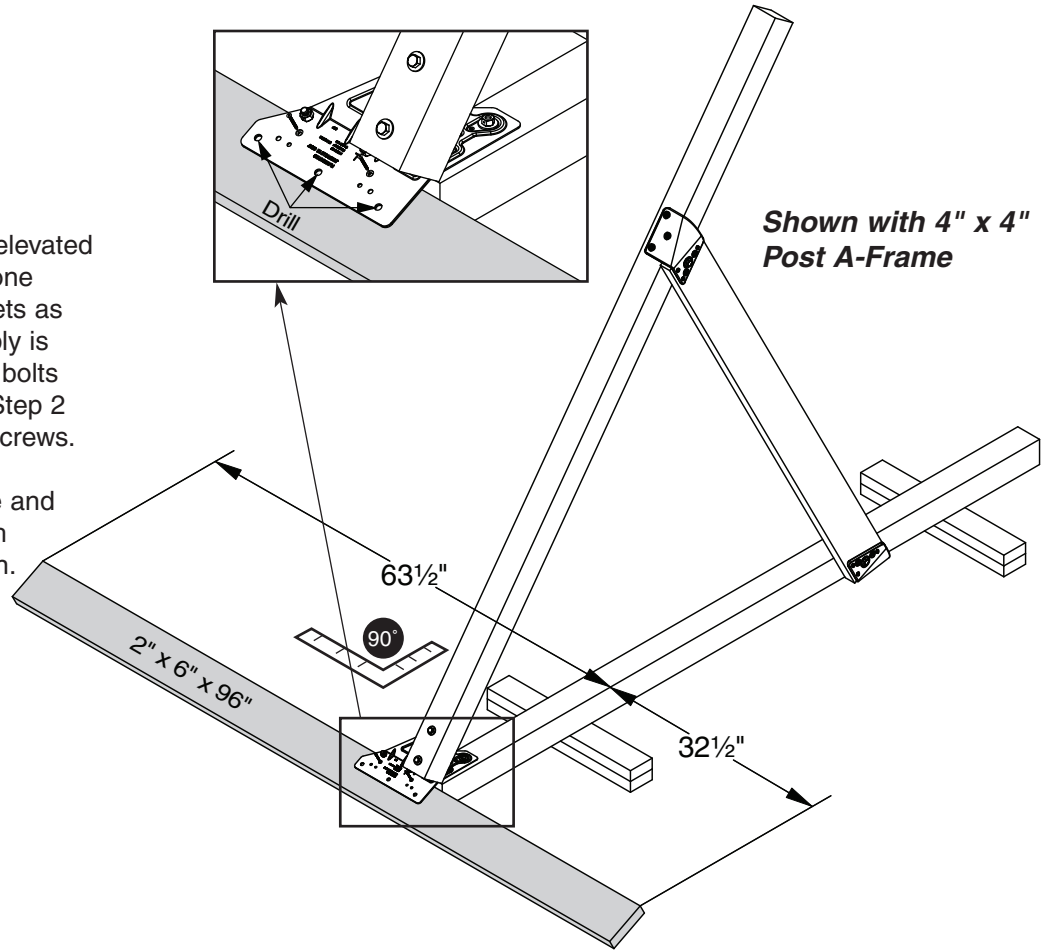
Shown with 4" x 4" Post A-Frame

Items for **STEP 3:**

- (1) A-Frame Assembly
- (1) 2" x 6" x 96" board
- (2) #8 x 1¼" deck screws

Lay out the A-Frame Assembly elevated on 3" of scrap lumber. Position one 2" x 6" x 96" board under brackets as shown. Making sure the assembly is square, hold beam tight against bolts installed in A-Frame Assembly Step 2 and attach with #8 x 1¼" deck screws.

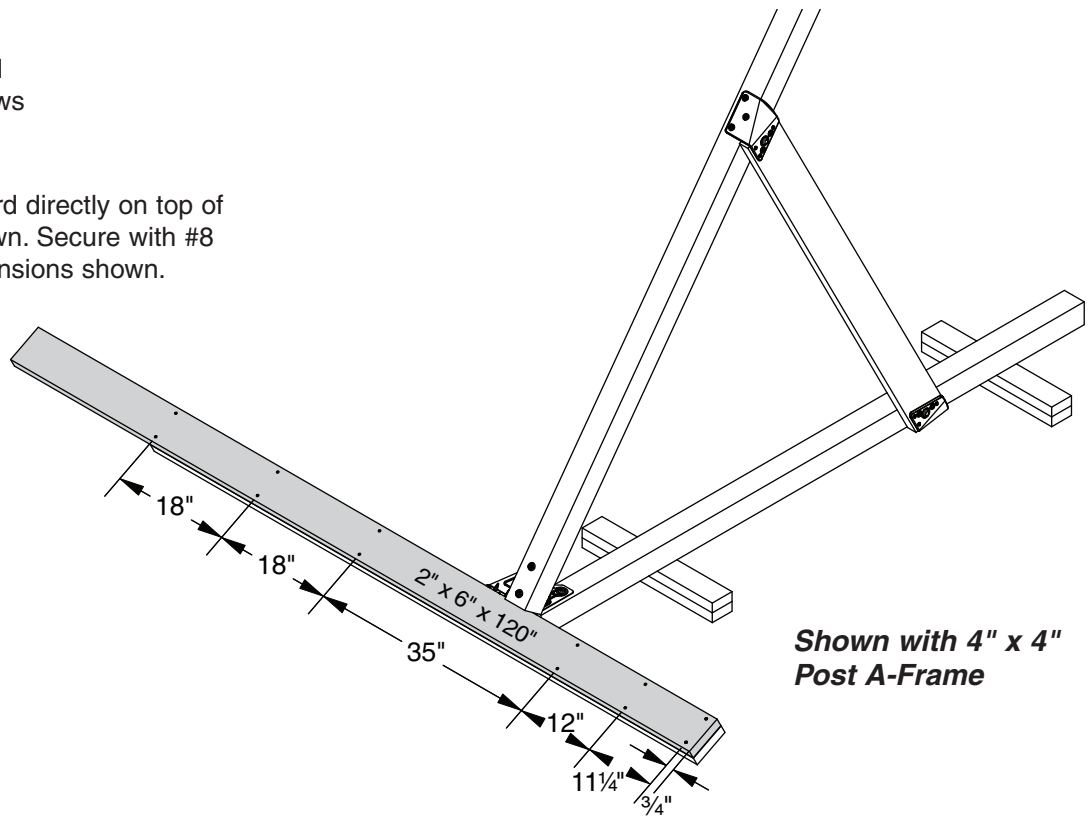
Use the brackets as a drill guide and drill ⅜" holes completely through the 2" x 6" x 96" board as shown.



Items for **STEP 4:**

- (1) 2" x 6" x 120" board
- (12) #8 x 2½" deck screws

Position 2" x 6" x 120" board directly on top of 2" x 6" x 96" board as shown. Secure with #8 x 2½" deck screws at dimensions shown.



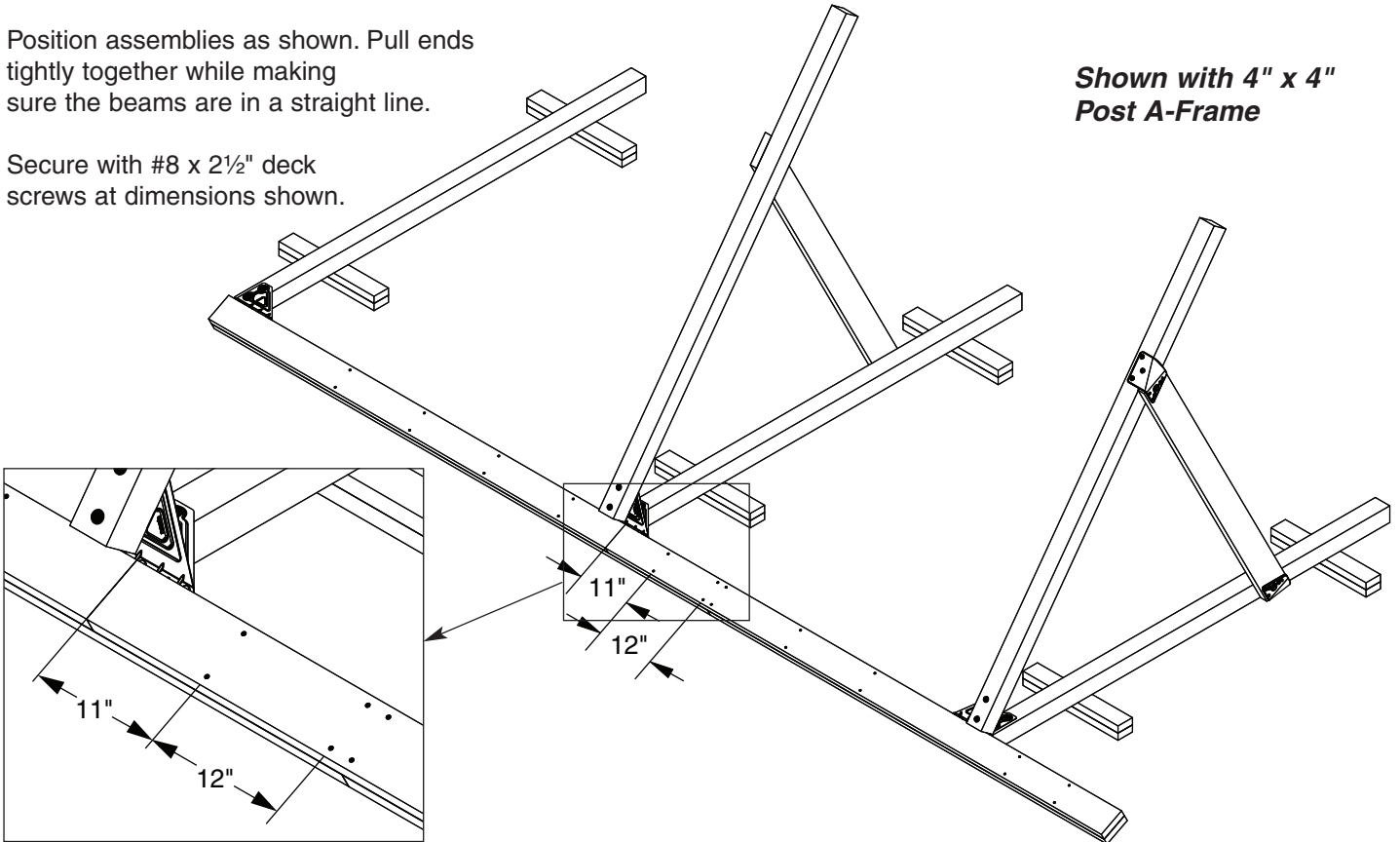
Items for **STEP 5:**

- (4) #8 x 2½" deck screws

Position assemblies as shown. Pull ends tightly together while making sure the beams are in a straight line.

Secure with #8 x 2½" deck screws at dimensions shown.

Shown with 4" x 4" Post A-Frame



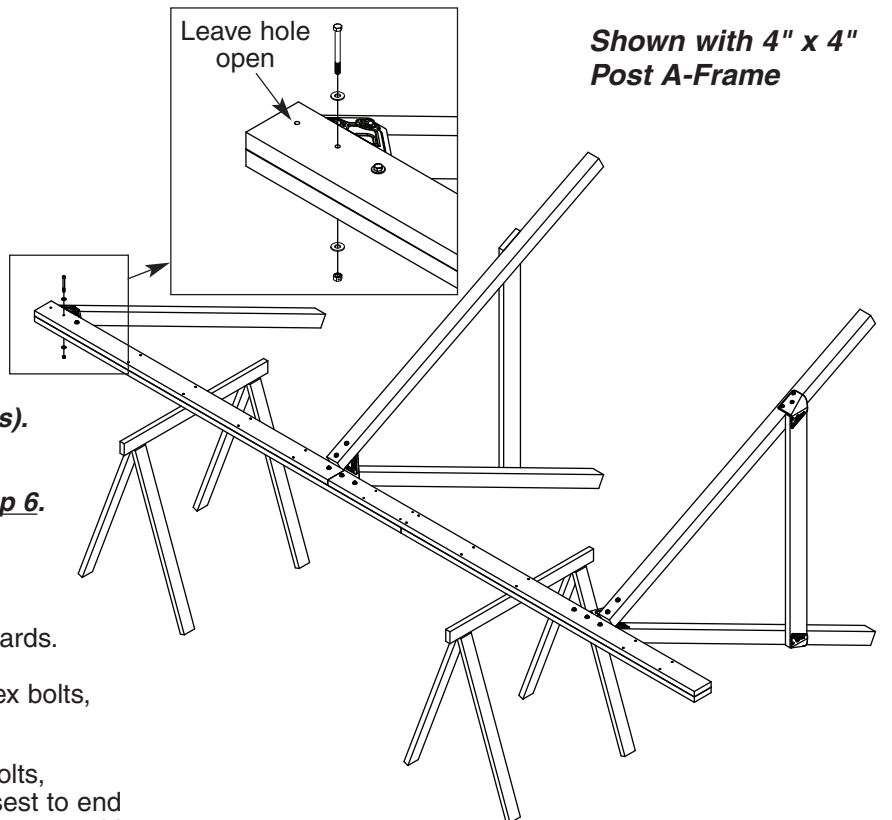
Items for **STEP 6:**

- (8) ⅜" x 4" hex bolts
- (16) ⅜" washers
- (8) ⅜" lock nuts

Lift assembly onto saw horses as shown.

Note: If you do not have saw horses, rest beam on ground and rotate A-Frame Assemblies and single 4" x 4" Assembly simultaneously to the other side (requires two adults). Single 4" x 4" Assembly must be supported at all times to keep the bracket from bending. Complete Step 6. Rotate back to original position and proceed with Step 7.

Shown with 4" x 4" Post A-Frame



Use the holes in the bottom board as a drill guide and drill ⅜" holes back through both boards.

On the A-Frame Assemblies attach ⅜" x 4" hex bolts, ⅜" washers and ⅜" lock nuts.

On the 4" x 4" Assembly attach two ⅜" x 4" bolts, ⅜" washers and ⅜" lock nuts. Leave hole closest to end open as it will be used to attach beam to tower assembly.

Note: Cut off all protruding threaded ends of bolts with a hack saw flush to the end of the nut and remove sharp edges with a metal file.

Items for Step 7:

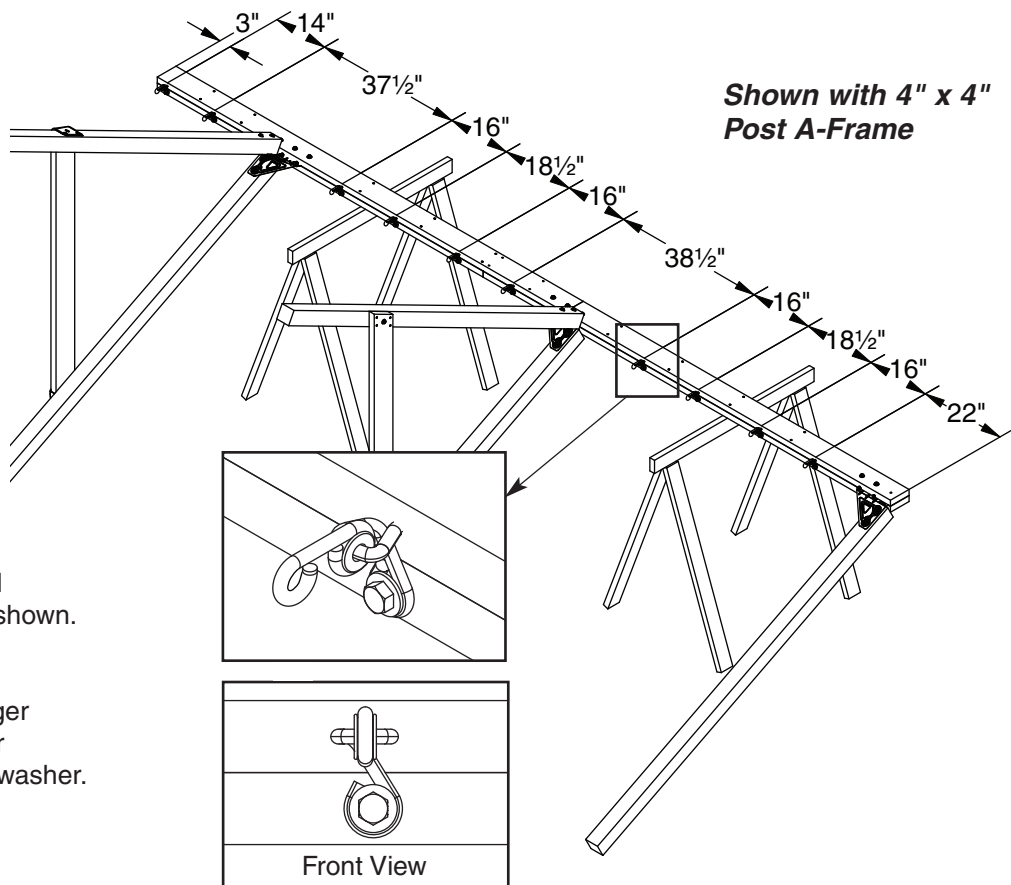
- (10) swing hangers
- (10) $\frac{3}{8}$ " x 3" lag screws
- (10) $\frac{3}{8}$ " washers

Mark the top board, on the bottom edge, at the dimensions shown.

Drill a $\frac{1}{4}$ " hole $2\frac{1}{2}$ " deep in the center of the top board at each location.

Screw swing hangers into board by hand (a long screwdriver will help). Tighten swing hanger until loop is tight against adjoining board and swing hanger is positioned as shown.

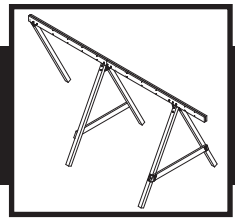
Drill another $\frac{1}{4}$ " hole $2\frac{1}{2}$ " deep in adjoining board through swing hanger loop and secure each swing hanger with one $\frac{3}{8}$ " x 3" lag screw and $\frac{3}{8}$ " washer.



**TURN TO PAGES 28-31 FOR
STURDY FRAME BRACE &
ANCHORING INSTALLATION**

Extend-A-Bay Assembly

Right-Hand



Follow Pages 21-24

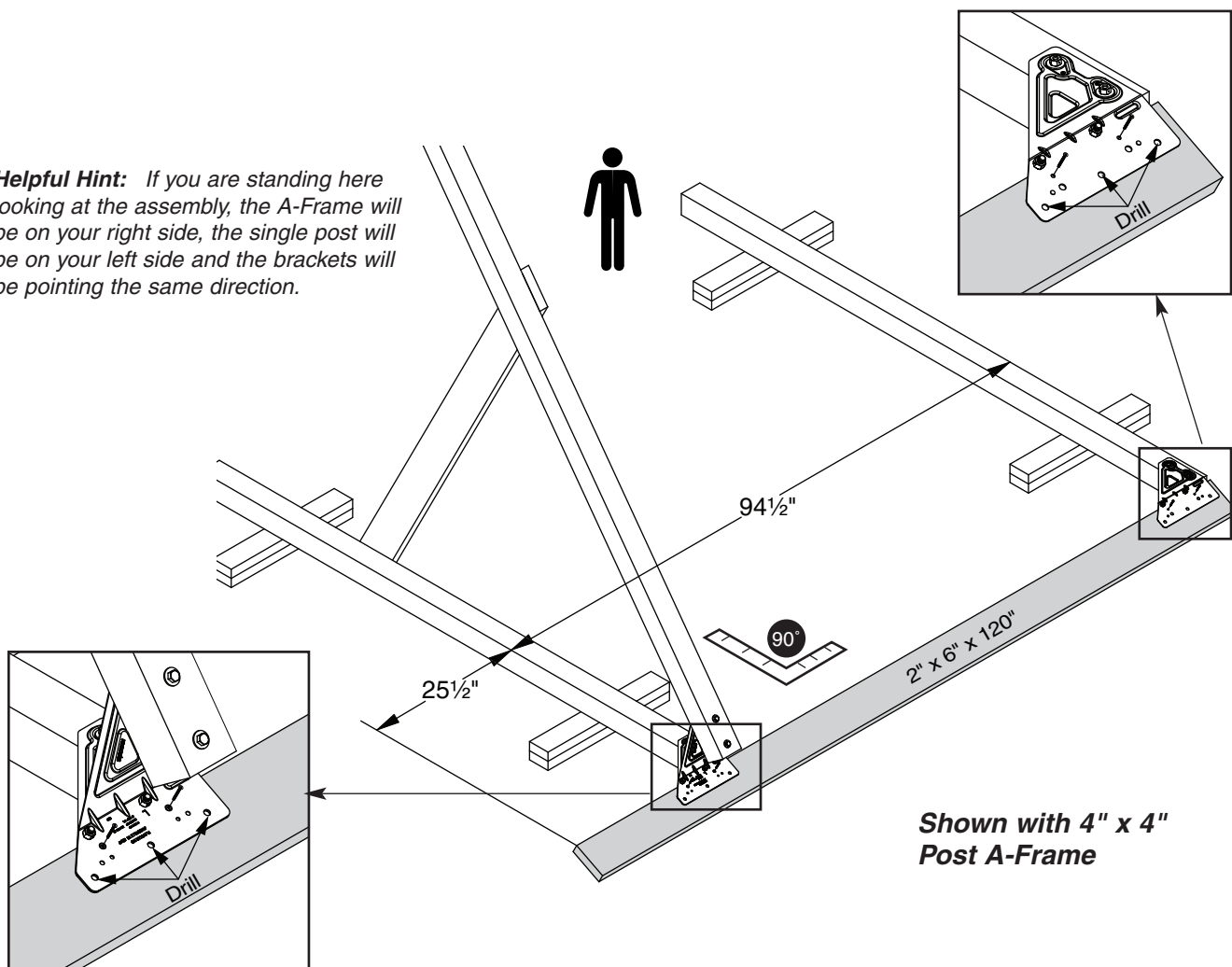
Items for STEP 1:

- (1) A-Frame Assembly
- (1) Single Leg Post Assembly
- (1) 2" x 6" x 120" board
- (4) #8 x 1¼" deck screws

Lay out the A-Frame Assembly and Single Leg Post Assembly 94½" apart, elevated on 3" of scrap lumber. Position one 2" x 6" x 120" board under brackets as shown. Making sure the assembly is square, hold beam tight against bolts installed in A-Frame Assembly Step 2 and attach with #8 x 1¼" deck screws.

Use the brackets as a drill guide and drill ⅜" holes completely through the 2" x 6" x 120" board as shown.

Helpful Hint: If you are standing here looking at the assembly, the A-Frame will be on your right side, the single post will be on your left side and the brackets will be pointing the same direction.

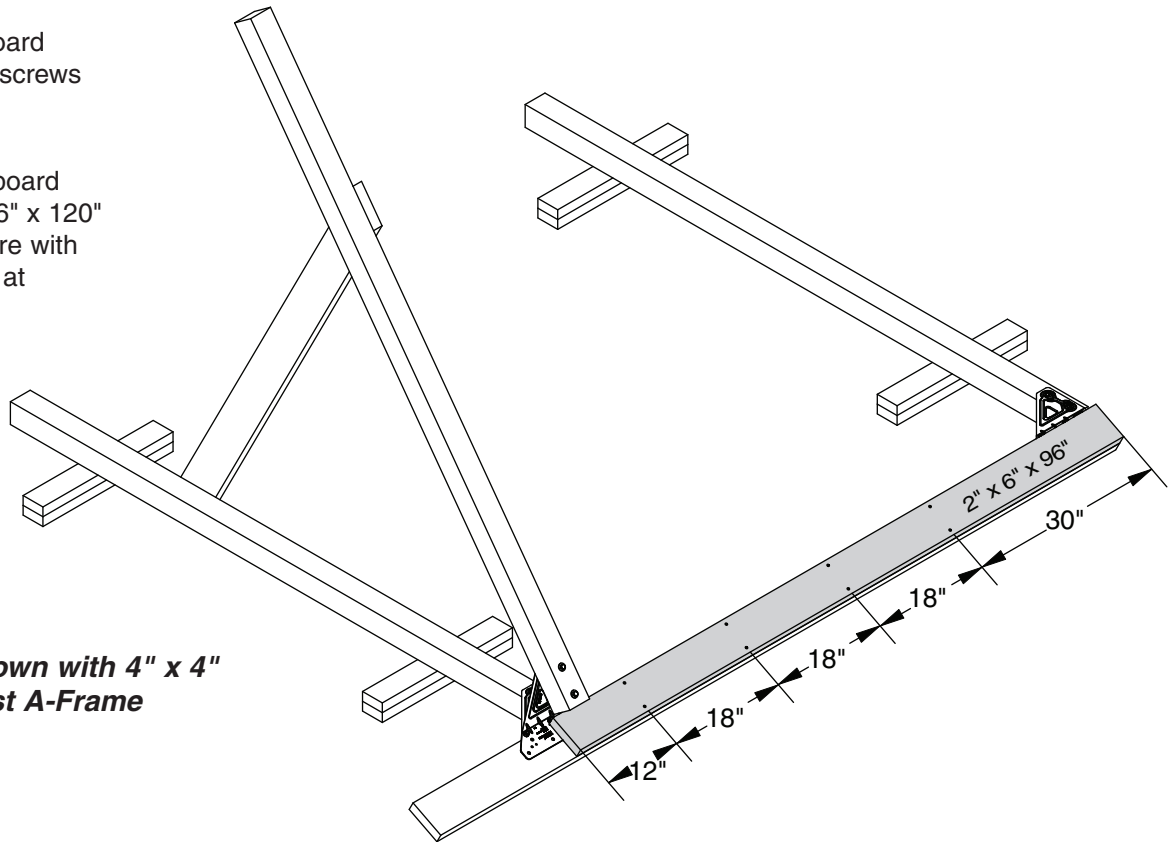


Items for STEP 2:

- (1) 2" x 6" x 96" board
- (8) #8 x 2½" deck screws

Position 2" x 6" x 96" board directly on top of 2" x 6" x 120" board as shown. Secure with #8 x 2½" deck screws at dimensions shown.

Shown with 4" x 4" Post A-Frame



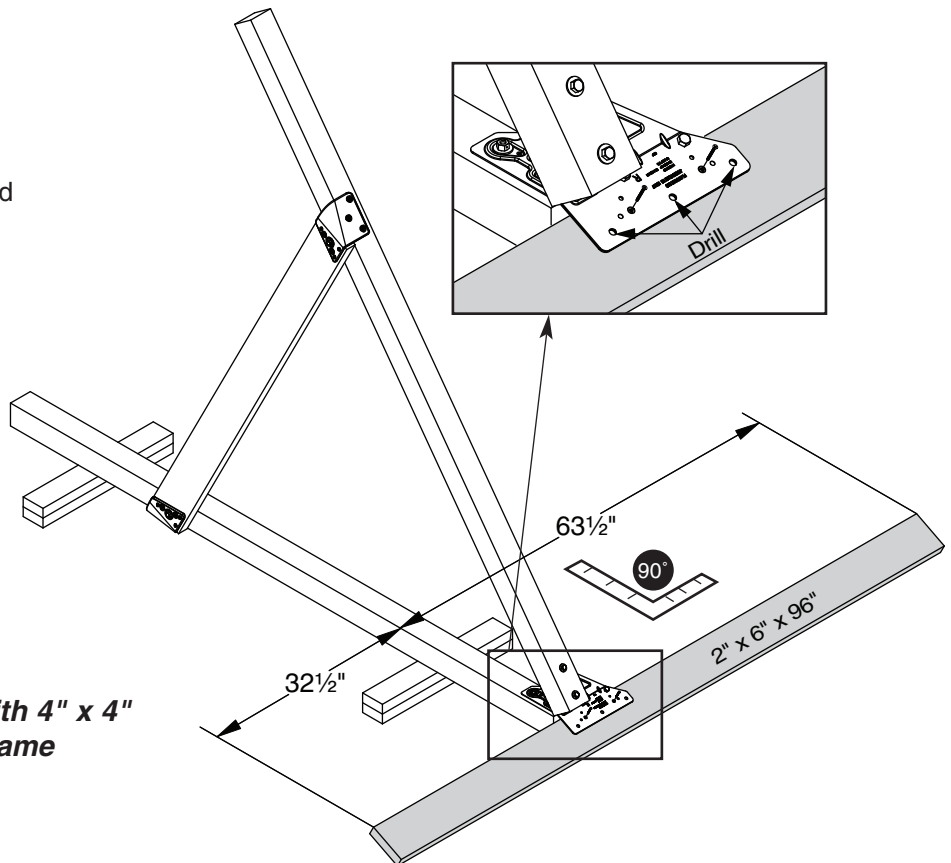
Items for STEP 3:

- (1) A-Frame Assembly
- (1) 2" x 6" x 96" board
- (2) #8 x 1¼" deck screws

Lay out the A-Frame Assembly elevated on 3" of scrap lumber. Position one 2" x 6" x 96" board under brackets as shown. Making sure the assembly is square, hold beam tight against bolts installed in A-Frame Assembly Step 2 and attach with #8 x 1¼" deck screws.

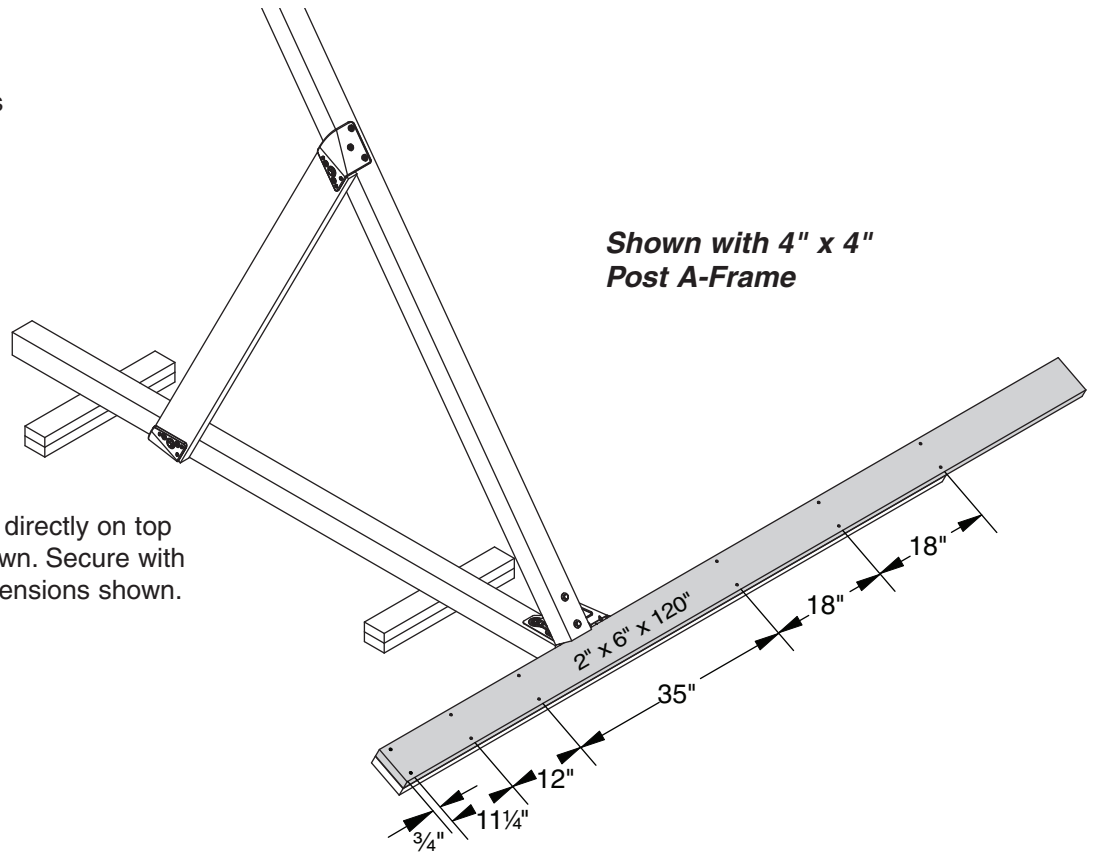
Use the brackets as a drill guide and drill ⅜" holes completely through the 2" x 6" x 96" board as shown.

Shown with 4" x 4" Post A-Frame



Items for STEP 4:

- (1) 2" x 6" x 120" board
- (12) #8 x 2½" deck screws



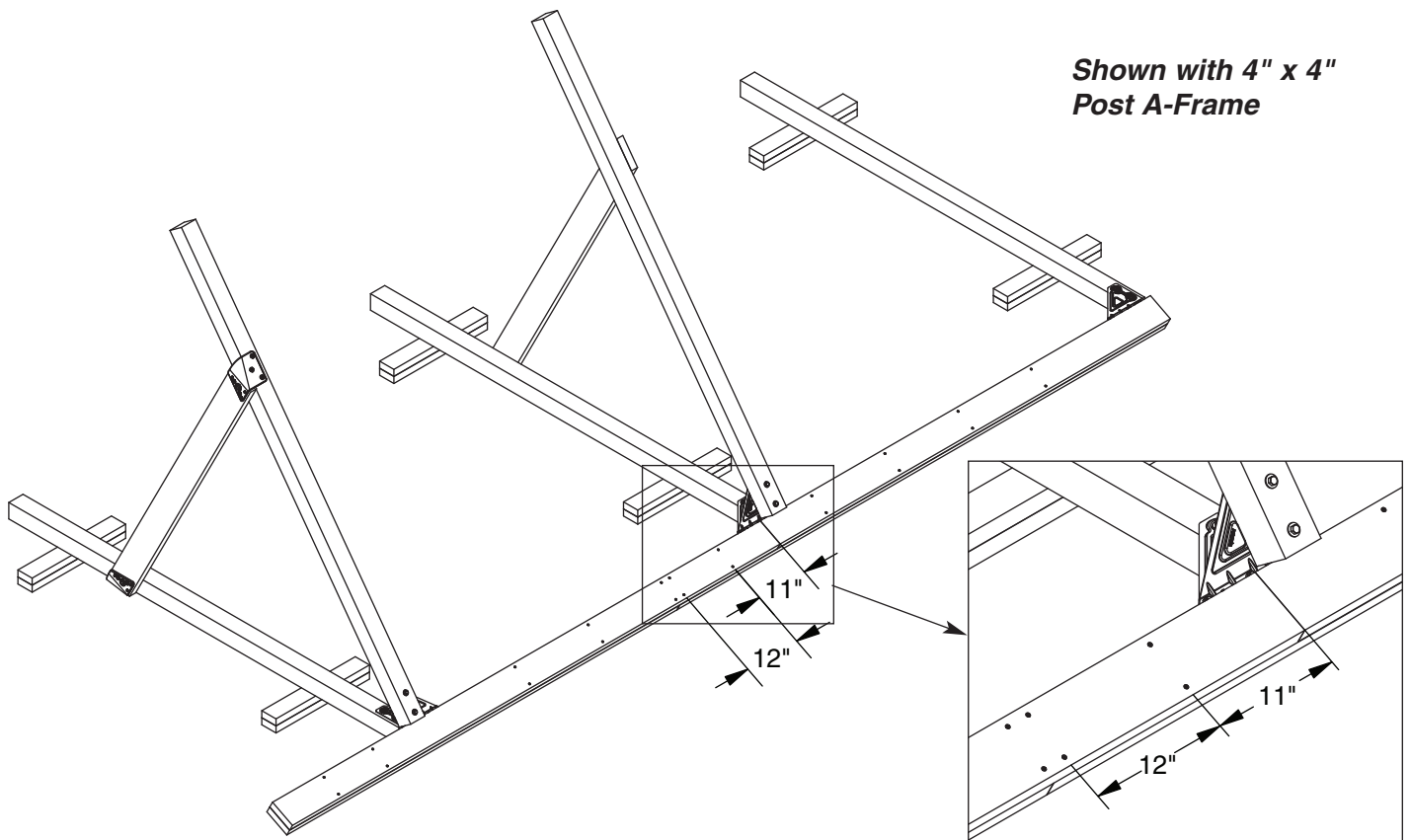
Position 2" x 6" x 120" board directly on top of 2" x 6" x 96" board as shown. Secure with #8 x 2½" deck screws at dimensions shown.

Items for STEP 5:

- (4) #8 x 2½" deck screws

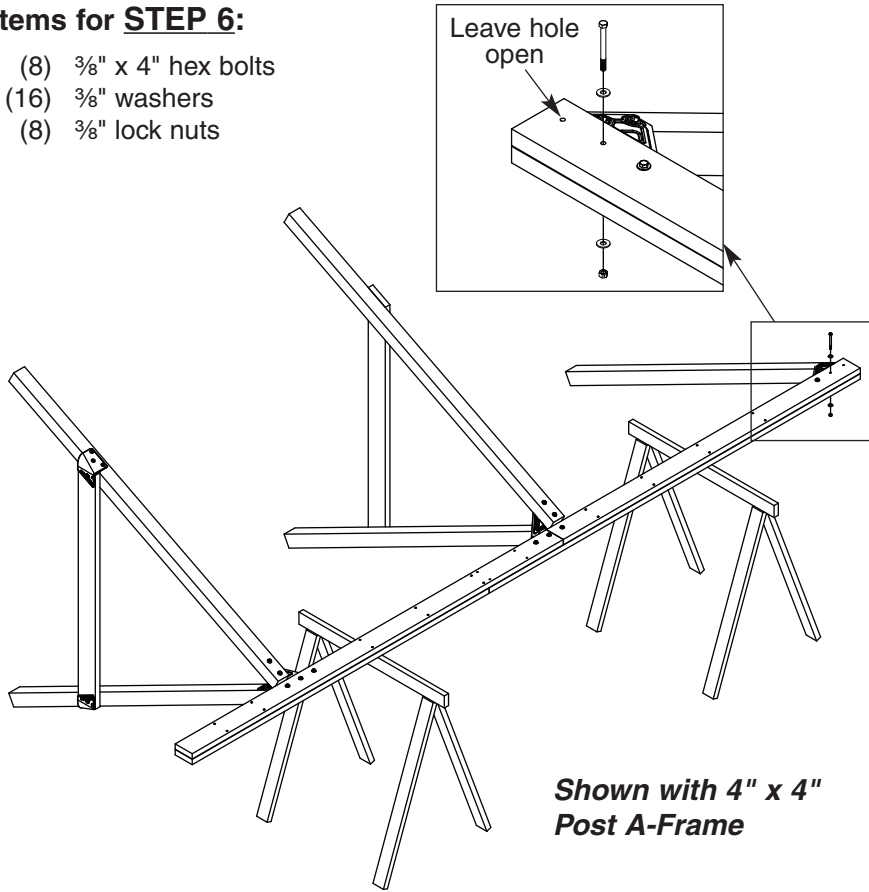
Position assemblies as shown. Pull ends tightly together while making sure the beams are in a straight line.

Secure with #8 x 2½" deck screws at dimensions shown.



Items for STEP 6:

- (8) 3/8" x 4" hex bolts
- (16) 3/8" washers
- (8) 3/8" lock nuts



Lift assembly onto saw horses as shown.

Note: If you do not have saw horses, rest beam on ground and rotate A-Frame Assemblies and single 4" x 4" Assembly simultaneously to the other side (requires two adults). Single 4" x 4" Assembly must be supported at all times to keep the bracket from bending. Complete Step 6. Rotate back to original position and proceed with Step 7.

Use the holes in the bottom board as a drill guide and drill 3/8" holes back through both boards.

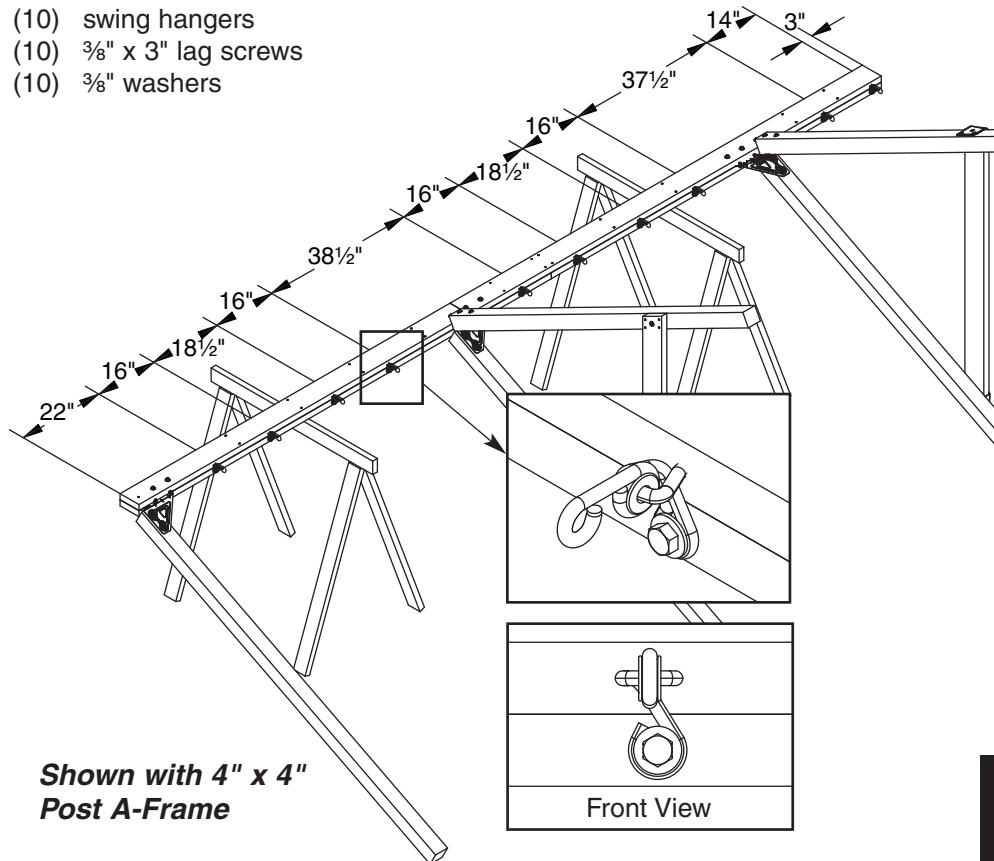
On the A-Frame Assemblies attach 3/8" x 4" hex bolts, 3/8" washers and 3/8" lock nuts.

On the 4" x 4" Assembly attach two 3/8" x 4" bolts, 3/8" washers and 3/8" lock nuts. Leave hole closest to end open as it will be used to attach beam to tower assembly.

Note: Cut off all protruding threaded ends of bolts with a hack saw flush to the end of the nut and remove sharp edges with a metal file.

Items for STEP 7:

- (10) swing hangers
- (10) 3/8" x 3" lag screws
- (10) 3/8" washers



Mark the top board, on the bottom edge, at the dimensions shown.

Drill a 1/4" hole 2 1/2" deep in the center of the top board at each location.

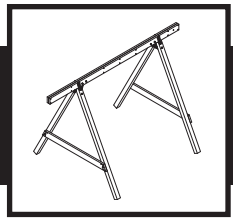
Screw swing hangers into board by hand (a long screwdriver will help). Tighten swing hanger until loop is tight against adjoining board and swing hanger is positioned as shown.

Drill another 1/4" hole 2 1/2" deep in adjoining board through swing hanger loop and secure each swing hanger with one 3/8" x 3" lag screw and 3/8" washer.

TURN TO PAGES 28-31 FOR STURDY FRAME BRACE & ANCHORING INSTALLATION

Swing Station Assembly

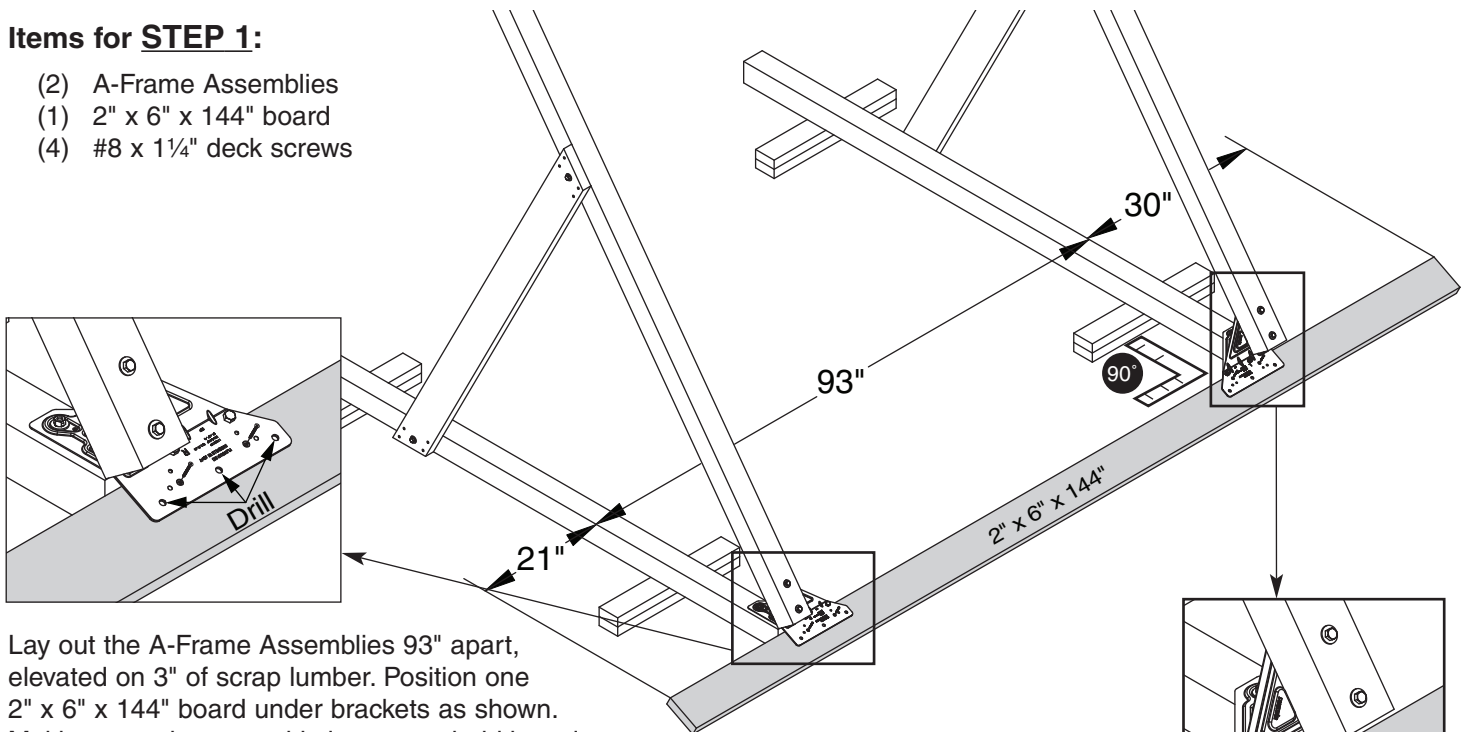
Free-Standing



Follow Pages 25-27

Items for STEP 1:

- (2) A-Frame Assemblies
- (1) 2" x 6" x 144" board
- (4) #8 x 1 1/4" deck screws



Lay out the A-Frame Assemblies 93" apart, elevated on 3" of scrap lumber. Position one 2" x 6" x 144" board under brackets as shown. Making sure the assembly is square, hold board tight against bolts installed in A-Frame Assembly Step 2 and attach with #8 x 1 1/4" deck screws.

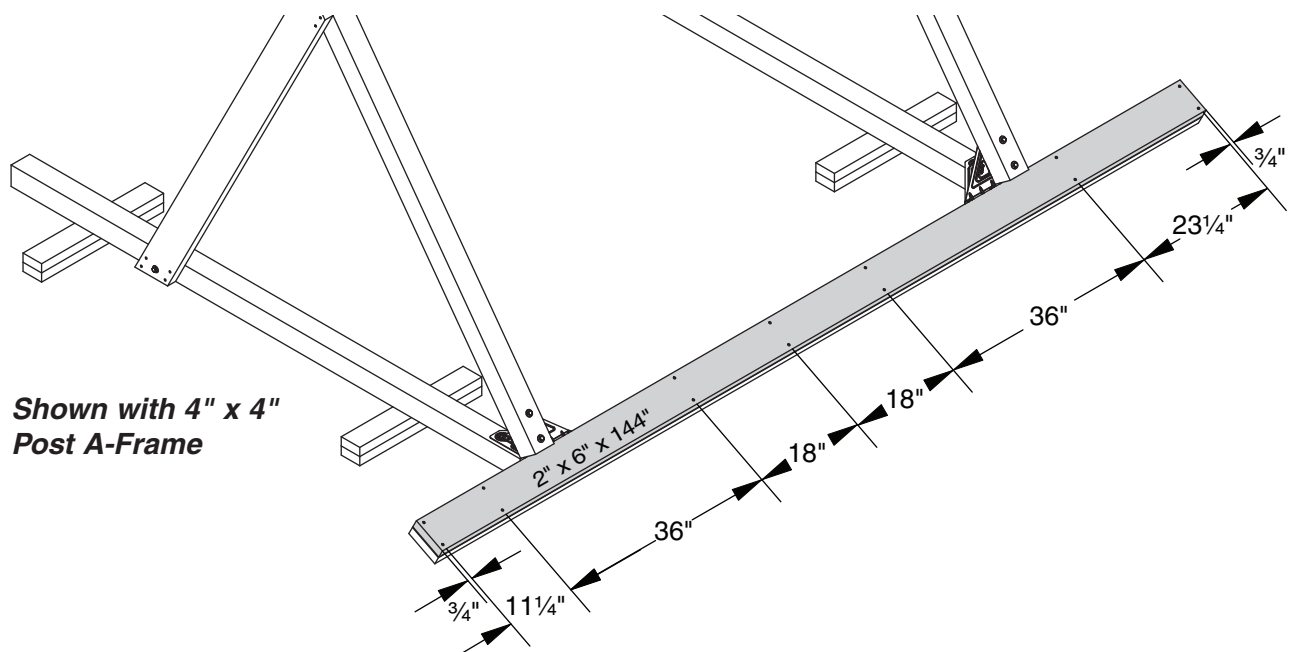
Shown with 4" x 4" Post A-Frame

Again use the brackets as a drill guide and drill three 3/8" holes completely through the 2" x 6" x 144" board as shown.

Items for STEP 2:

- (1) 2" x 6" x 144" board
- (14) #8 x 2 1/2" deck screws

Position second 2" x 6" x 144" board directly on top of first board and secure with #8 x 2 1/2" deck screws at dimensions shown.



Shown with 4" x 4" Post A-Frame

Items for STEP 3:

- (6) 3/8" x 4" hex bolts
- (12) 3/8" washers
- (6) lock nuts

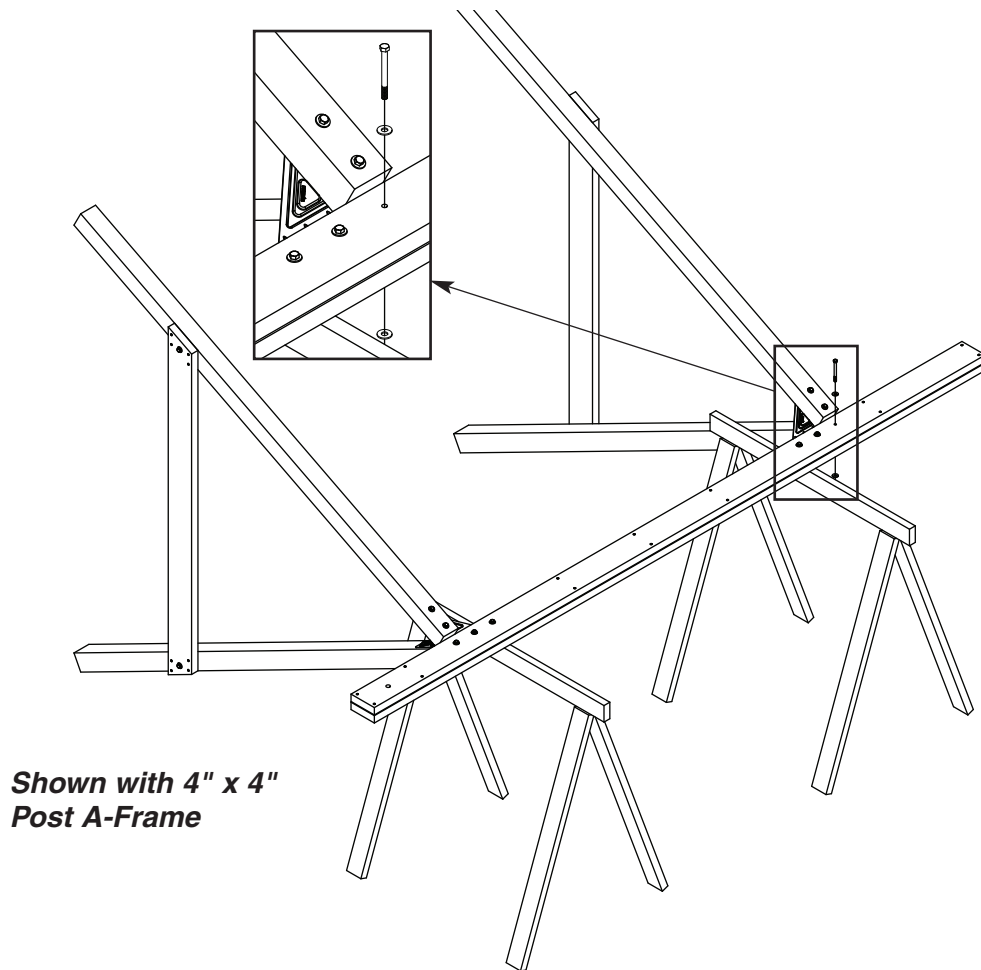
Lift assembly onto saw horses as shown.

Note: *If you do not have saw horses, rest beam on ground and rotate A-Frame Assemblies to the other side (requires two adults). Complete Step 3. Rotate back to original position and proceed with Step 4.*

Use the holes in the bottom board as a drill guide and drill 3/8" holes back through both boards.

Attach 3/8" x 4" hex bolts, 3/8" washers and 3/8" lock nuts as shown.

Note: *Cut off all protruding threaded ends of bolts with a hack saw flush to the end of the nut and remove sharp edges with a metal file.*



Items for STEP 4:

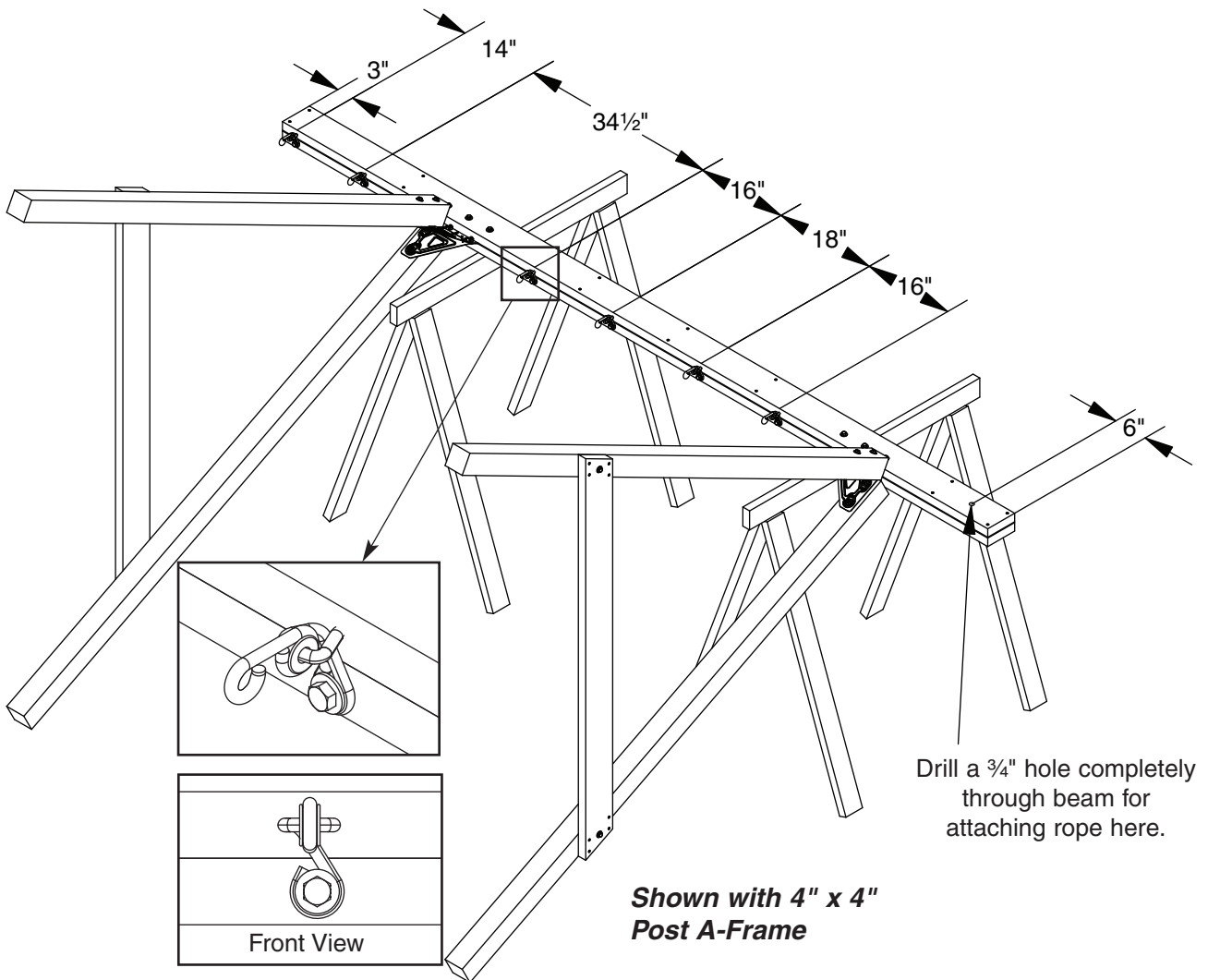
- (6) swing hangers
- (6) $\frac{3}{8}$ " x 3" lag screws
- (6) $\frac{3}{8}$ " washers

Mark the top board, on the bottom edge, at the dimensions shown.

Drill a $\frac{1}{4}$ " hole $2\frac{1}{2}$ " deep in the center of the top board at each location.

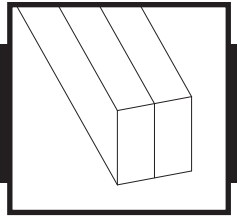
Screw swing hangers into board by hand (a long screwdriver will help). Tighten swing hanger until loop is tight against adjoining board and swing hanger is positioned as shown.

Drill another $\frac{1}{4}$ " hole $2\frac{1}{2}$ " deep in adjoining board through swing hanger loop and secure each swing hanger with one $\frac{3}{8}$ " x 3" lag screw and $\frac{3}{8}$ " washer.



Sturdy-Frame Brace Installation

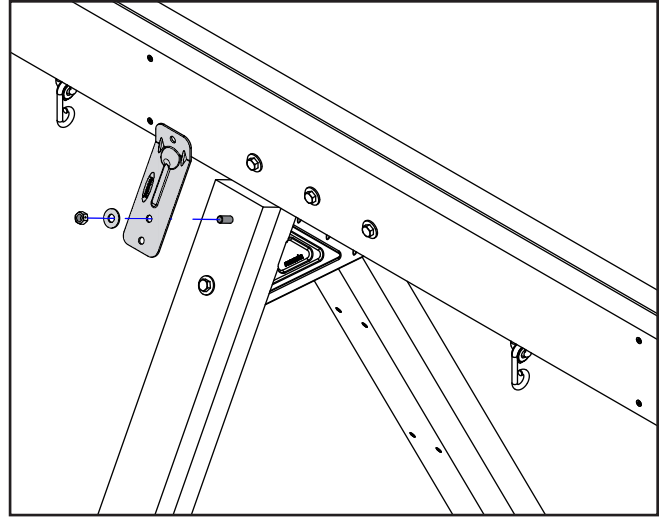
2" x 4" Laminated Posts



Items for Step 1:

- (1) Sturdy-Frame Brace

Remove the nut and washer from the flipped bolt as shown. Install the Sturdy-Frame Brace as shown and secure with $\frac{3}{8}$ " washer and lock nut.

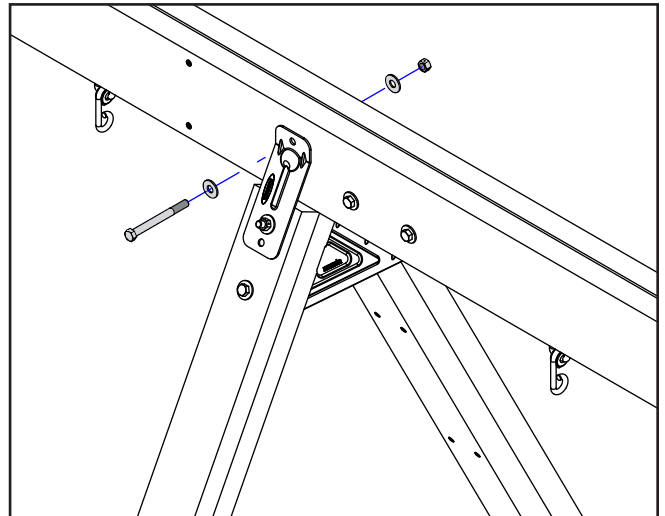


Items for Step 2:

- (1) 4" hex bolt
- (2) $\frac{3}{8}$ " washers
- (1) $\frac{3}{8}$ " lock nut

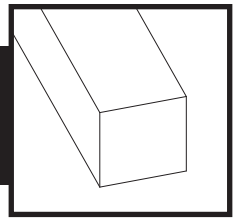
Make sure brace is square to beam. Using the brace as a template, drill a $\frac{3}{8}$ " hole completely through beam.

Secure the Sturdy-Frame Brace to the beam with the $\frac{3}{8}$ " x 4" hex bolt, washers and lock nut.



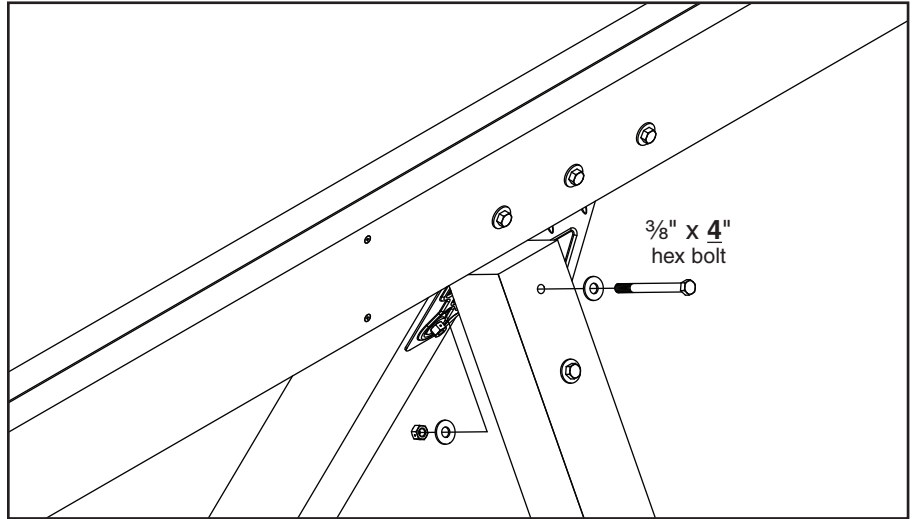
**TURN TO PAGE 30 FOR
ANCHORING INSTALLATION**

4" x 4" Posts



STEP 1: Remove the top $\frac{3}{8}$ " x 4" hex bolt, washers and lock nut from the post support as shown. (Save these parts because they will be used in Step 3.)

Note: It is easiest to remove this bolt by continuing to rotate in a counterclockwise direction.

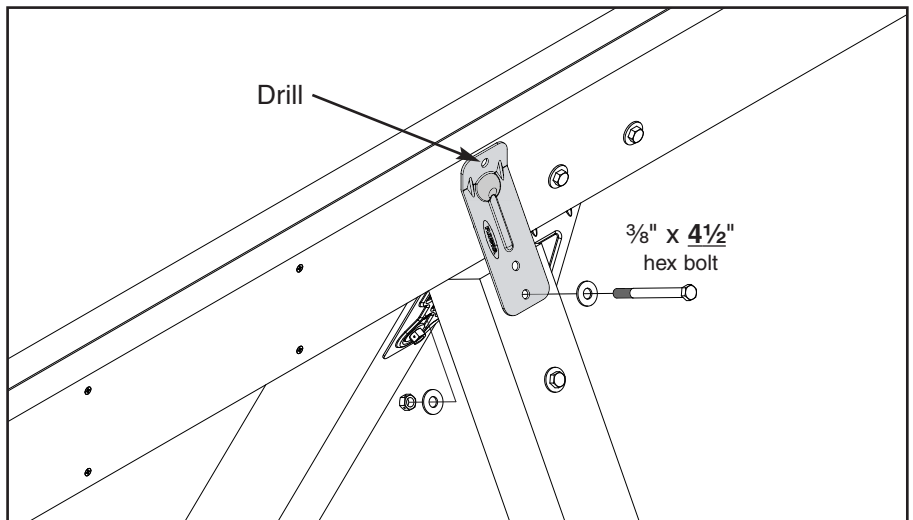


Items for STEP 2:

- (1) Sturdy-Frame Brace
- (1) 4 $\frac{1}{2}$ " hex bolt
- (2) $\frac{3}{8}$ " washers
- (1) $\frac{3}{8}$ " lock nut

Install the Sturdy-Frame Brace as shown and secure with $\frac{3}{8}$ " x 4 $\frac{1}{2}$ " hex bolt, washers and lock nut.

Make sure brace is square to beam. Using the brace as a template, drill a $\frac{3}{8}$ " hole completely through beam.

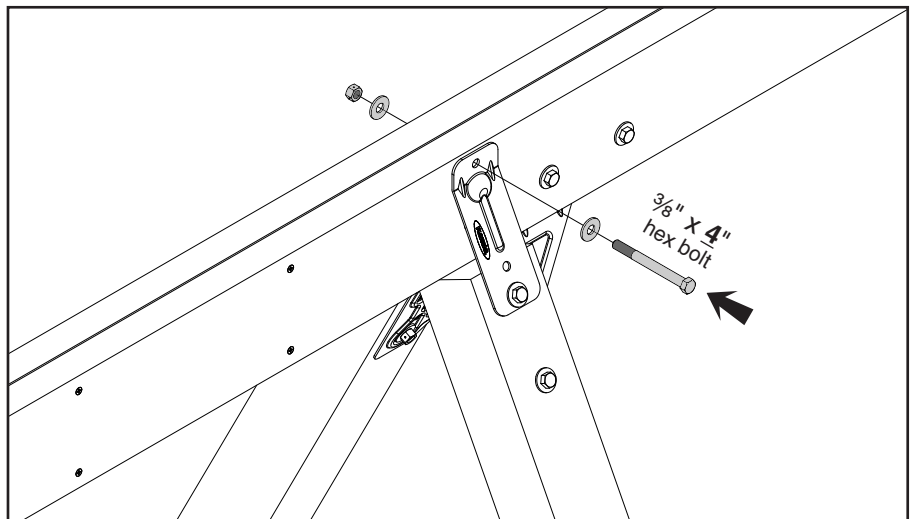


Items for STEP 3:

- (1) 4" hex bolt
 - (2) $\frac{3}{8}$ " washers
 - (1) $\frac{3}{8}$ " lock nut
- } Removed on Step 1

Secure the Sturdy-Frame Brace to the beam with the $\frac{3}{8}$ " x 4" hex bolt, washers and lock nut removed in Step 1.

Repeat Step 1 through Step 3 for second A-Frame Assembly.

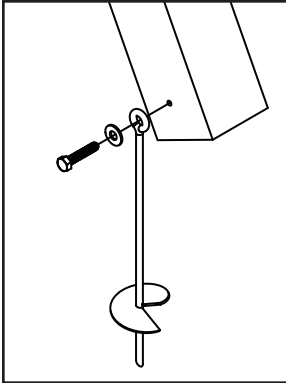


TURN TO PAGE 30 FOR ANCHORING INSTALLATION

ANCHORING

At locations shown screw Playset Anchors into ground by hand (a long screwdriver will help).

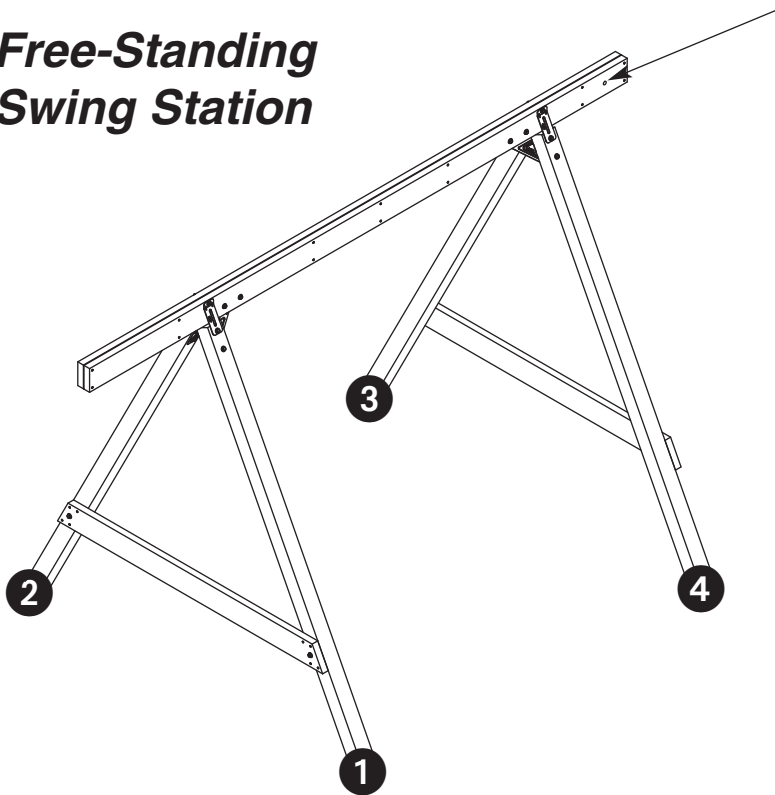
Use the anchor as a drill guide and drill a 1/4" hole 2 1/2" deep into the board. Attach with 3/8" x 3" lag screw and 3/8" washer.



Note: *If soil conditions permit anchors to be pulled out easily, such as in sandy soil conditions, cementing is required. If your ground is too hard to screw in the anchors, or you are having trouble lining up anchor with existing hole in tower, you can remove the earth with a shovel. Install the anchors and compact the earth as you replace it. Anchors must be placed below the level of the shock-absorbing surfacing material to prevent tripping or injury resulting from a fall.*

Reminder: *Be sure to install proper shock-absorbing surfacing material. Refer to the Safety Guide at the beginning of this plan.*

Free-Standing Swing Station



ANCHORING - Climbing Rope

Tie five knots, equally spaced, for climbing grips. (Fig. 1)

Insert rope through 3/4" top hole in beam and tie a knot with 4" remaining. Secure with staples provided. (Fig. 2)

Screw anchor completely into ground so the top loop of the anchor is flush with the ground. (Fig. 1).

front view



Fig. 1

back view

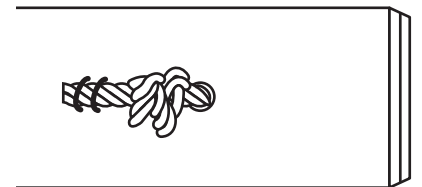
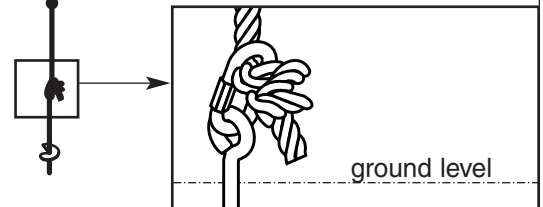
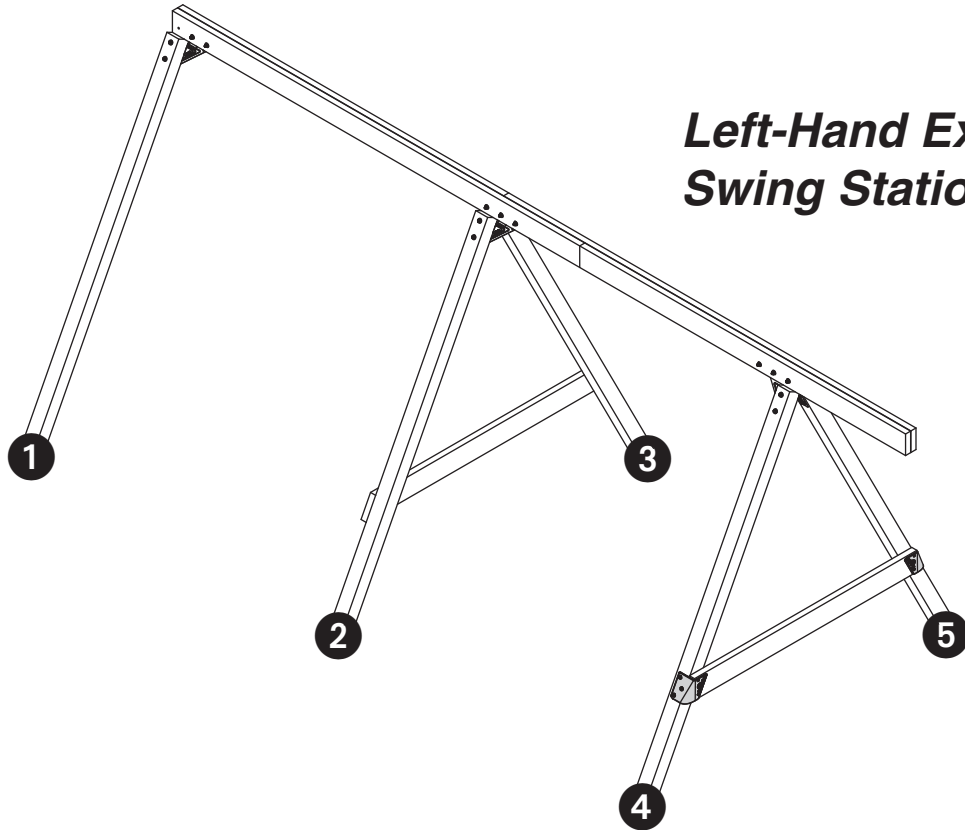


Fig. 2

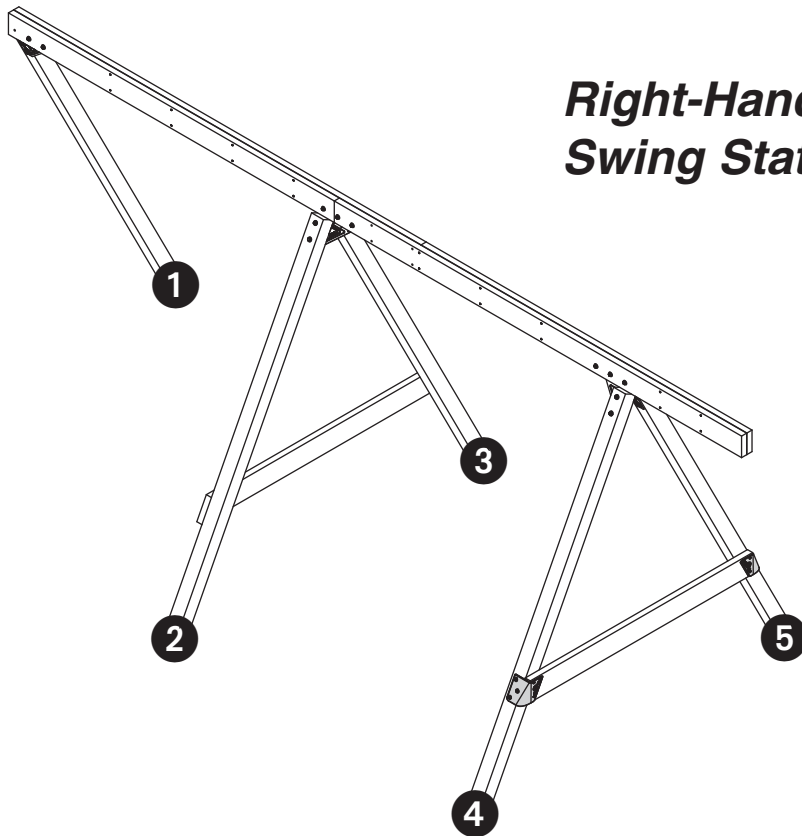
Attach quick link to anchor as shown. Tighten with an adjustable wrench.

Insert rope through quick link, pull tight and tie two knots while keeping rope snug.





***Left-Hand Extend-A-Bay
Swing Station***



***Right-Hand Extend-A-Bay
Swing Station***

Extend-A-Bay®/Swing Station Kit

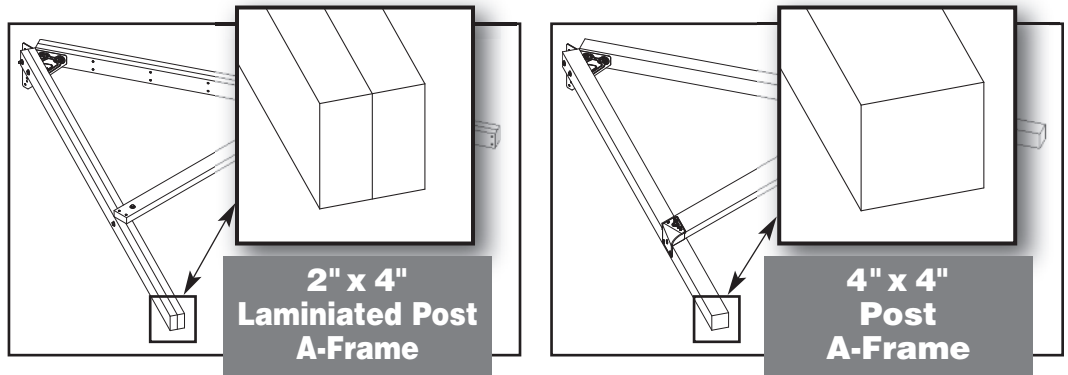
Additional Materials Required

In order to purchase the desired materials to match your original PlayStar playset, you will need to familiarize yourself with the different types of A-Frames before hand.

Note: Combining 2"x4" Laminated Post A-Frames and 4"x4" A-Frames to complete your project will also work.

STEP 1

Determine Post Type of Your A-Frames



STEP 2

Choose **Extend-A-Bay** or **Free-Standing** Swing Station Project. Select from the materials list below based on your decision in Step 1.

Extend-A-Bay Swing Station

For Build It Yourself Kits Only



2"x4" Laminated Post A-Frame

- (1) Extend-A-Bay/Swing Station Kit - PS 7664
- (5) 2" x 4" x 8' (60) #8 x 2½" Deck Screws
- (2) 2" x 6" x 10' (1 set) Playset Anchors - PS 7690
- (plus) Swing Components of your choice.

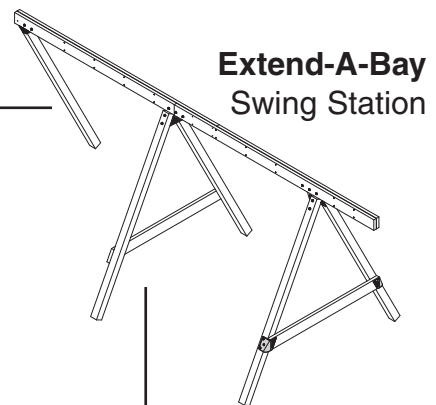
OR



4"x4" Post A-Frame

- (1) Extend-A-Bay/Swing Station Kit - PS 7664
- (2) 4" x 4" x 8' (24) #8 x 2½" Deck Screws
- (2) 2" x 6" x 10' (1 set) Playset Anchors - PS 7690
- (1) 2" x 6" x 8' (plus) Swing Components of your choice.

Purchase building materials for Playstar Build-It-Yourself Kits separately.



Extend-A-Bay Swing Station

Free-Standing Swing Station



2"x4" Laminated Post A-Frame

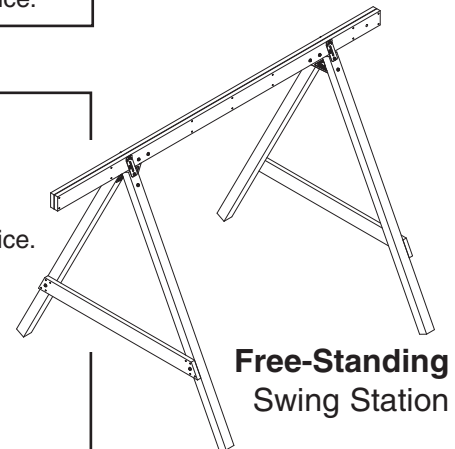
- (2) Extend-A-Bay/Swing Station Kits - PS 7664
- (1) 2" x 4" x 10' (60) #8 x 2½" Deck Screws
- (8) 2" x 4" x 8' (3 sets) Playset Anchors - PS 7690
- (2) 2" x 6" x 12' (plus) Swing Components of your choice.

OR



4"x4" Post A-Frame

- (2) Extend-A-Bay/Swing Station Kits - PS 7664
- (4) 4" x 4" x 8' (60) #8 x 2½" Deck Screws
- (3) 2" x 6" x 12' (3 set) Playset Anchors - PS 7690
- (plus) Swing Components of your choice.



Free-Standing Swing Station

PlayStar, Incorporated, Janesville, WI 53547