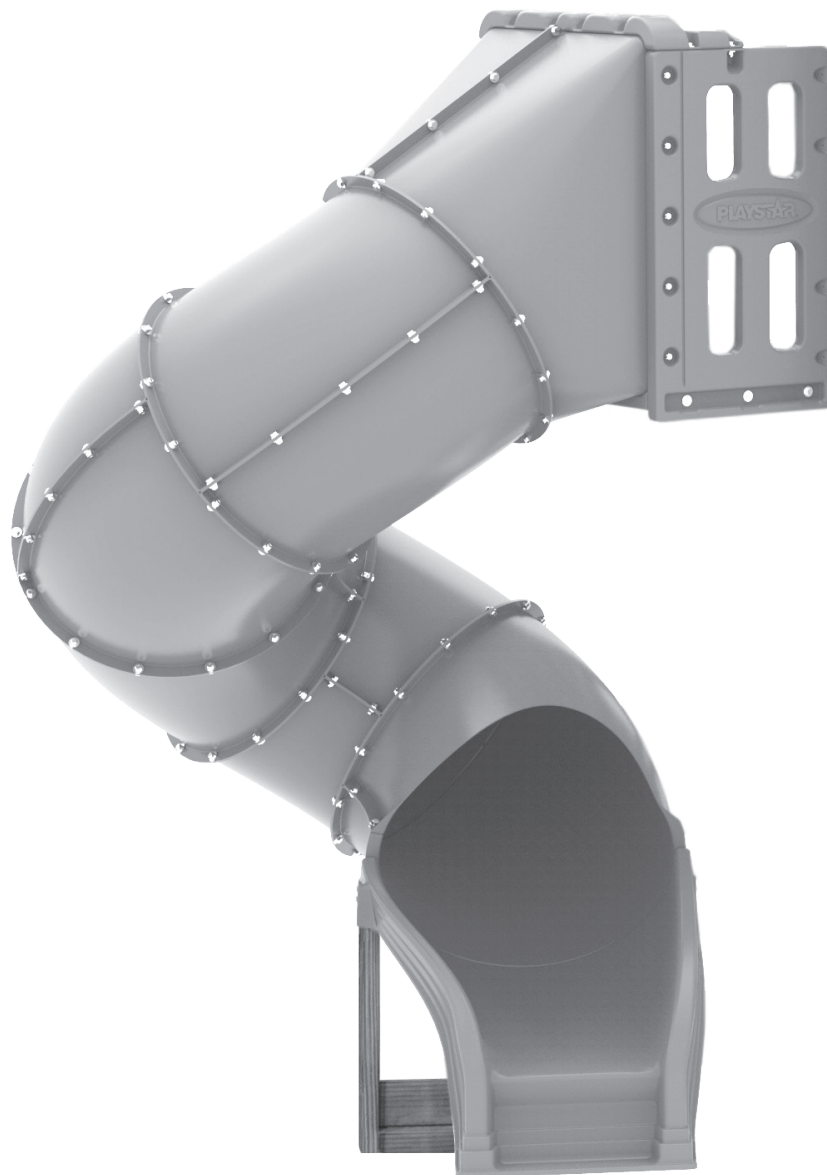


Play Action®

PLAYSTAR®

Spiral Tube Slide

Assembly Instructions



Important!

Intended for residential use by children ages 2 to 10, only on properly installed PlayStar playsets. Before use refer to complete safety guidelines in your original playset, at www.playstarinc.com, or at 1-888-752-9782.

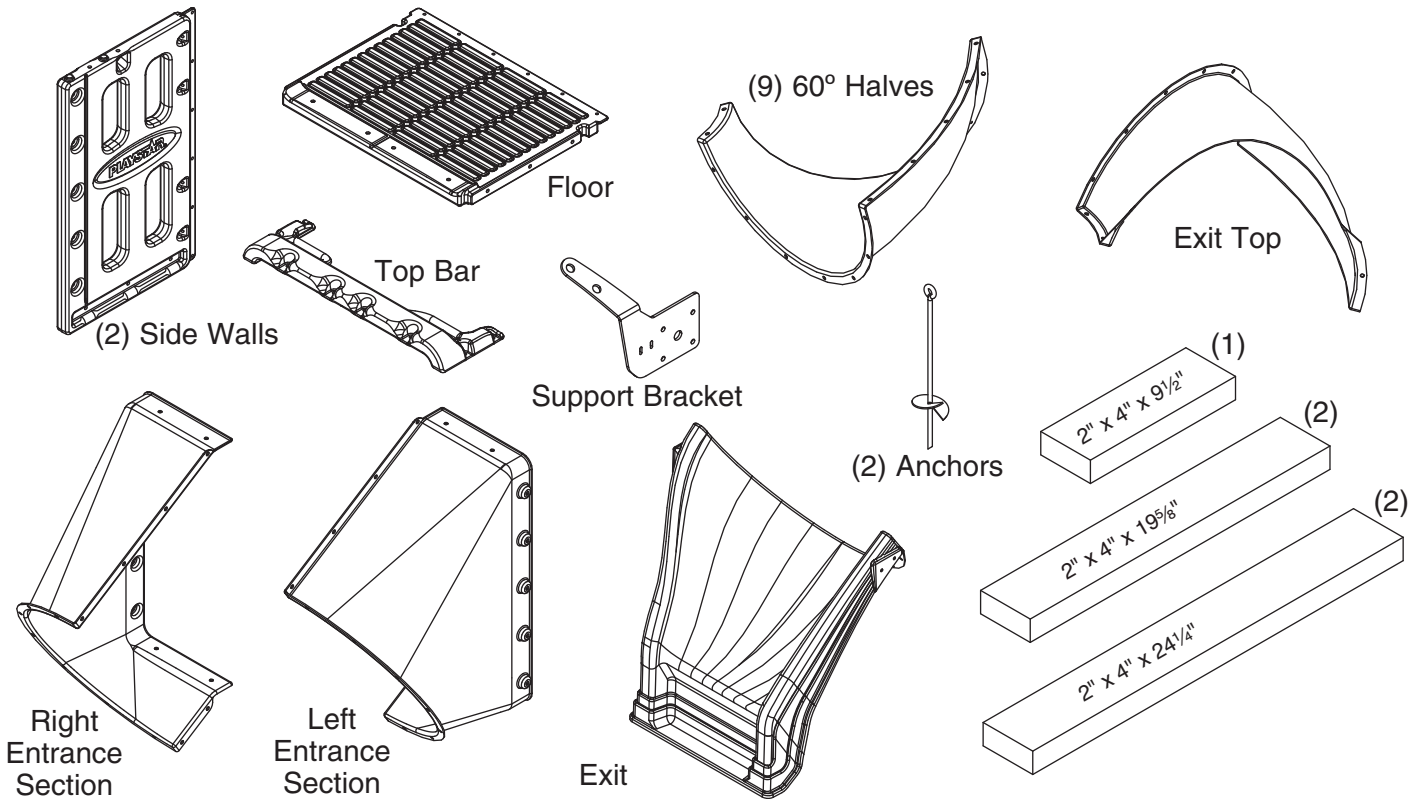
We're Here To Help!

Call Toll Free **1-888-752-9782**
Customer Service: Monday - Friday, 8:00 A.M. to 5:00 P.M. C.S.T.

PS 8821
PS 8823

CONTENTS

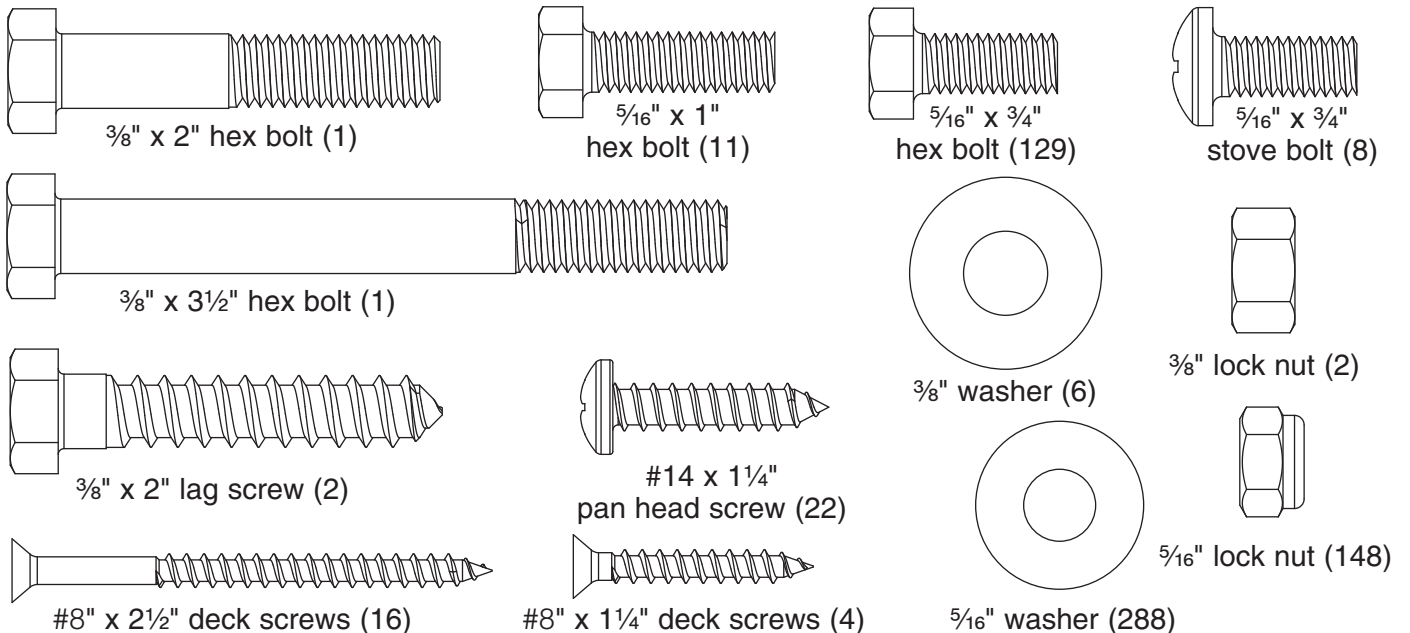
Spiral Tube Slide Contents and Component Identification:



TOOLS REQUIRED

Socket Wrench	Tape Measure	1/8", 1/4", 3/8" Drill Bits	Pencil
1/2" and 9/16" Socket	Safety Glasses	Drill	Ladder
1/2" and 9/16" Wrench or Adjustable Wrench	Phillips Screwdriver	Square	Shovel

HARDWARE INCLUDED (shown actual size)



SPIRAL TUBE SLIDE ASSEMBLY

Before starting to assemble your Spiral Tube Slide, familiarize yourself with the contents. Identify each component and hardware listed on Page 2. Hardware is shown actual size.

Items for STEP 1: Crow's Nest Assembly

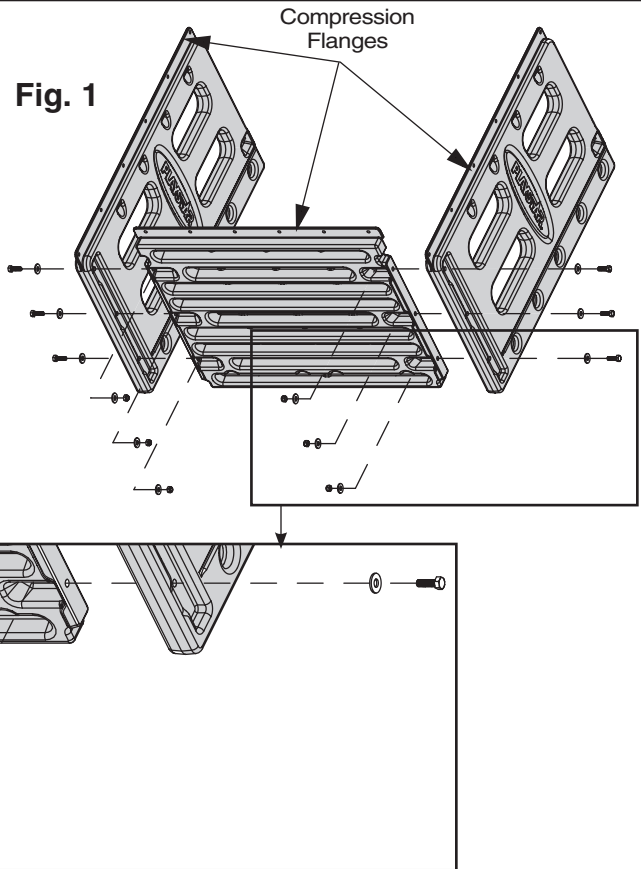
- (2) Side Walls
- (1) Floor
- (6) $\frac{5}{16}$ " x 1" hex bolts
- (12) $\frac{5}{16}$ " washers
- (6) $\frac{5}{16}$ " lock nuts

Position the side walls and floor as shown. (Fig. 1)

Note: The compression flanges of all three parts must be facing up as shown.

Attach the side walls to the floor using $\frac{5}{16}$ " x 1" hex bolts, $\frac{5}{16}$ " washers and $\frac{5}{16}$ " lock nuts as shown. (Fig. 1)

Tighten firmly with a $\frac{1}{2}$ " socket and wrench but **do not over tighten**.

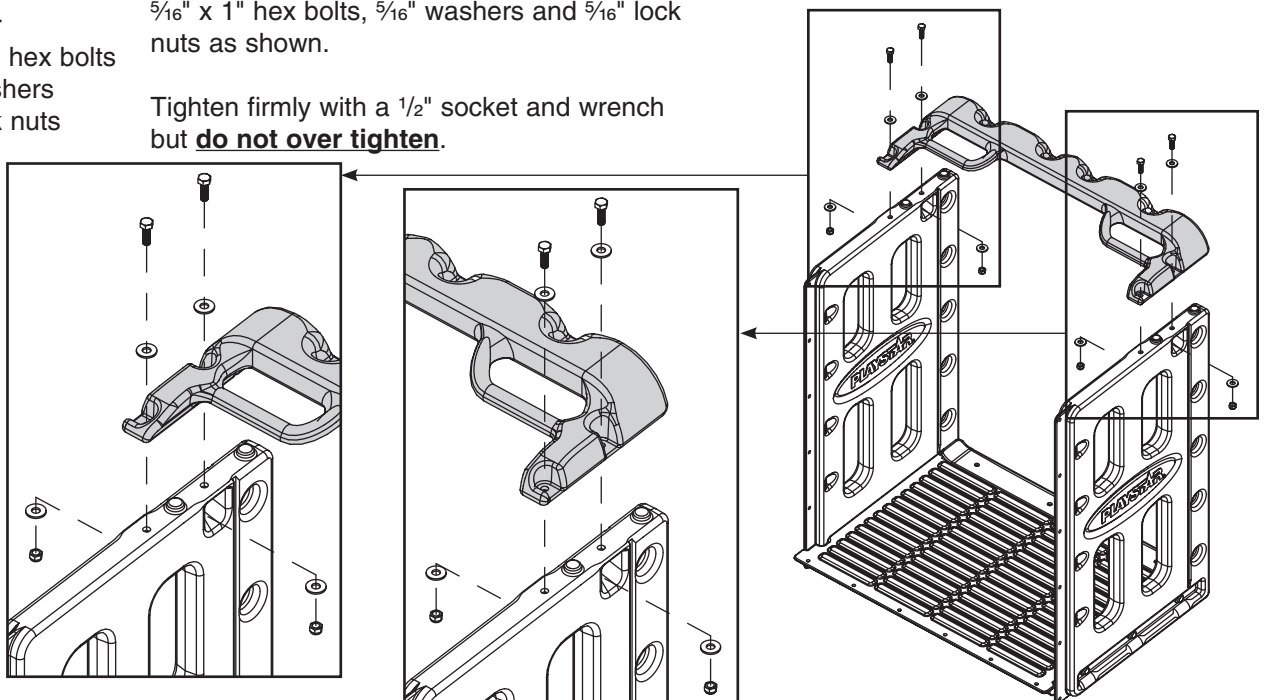


Items for STEP 2:

- (1) Top Bar
- (4) $\frac{5}{16}$ " x 1" hex bolts
- (8) $\frac{5}{16}$ " washers
- (4) $\frac{5}{16}$ " lock nuts

Attach the top bar to the side walls using $\frac{5}{16}$ " x 1" hex bolts, $\frac{5}{16}$ " washers and $\frac{5}{16}$ " lock nuts as shown.

Tighten firmly with a $\frac{1}{2}$ " socket and wrench but **do not over tighten**.



Items for STEP 3:

- (1) Crow's Nest Assembly
- (18) #14 x 1¼" pan head screws

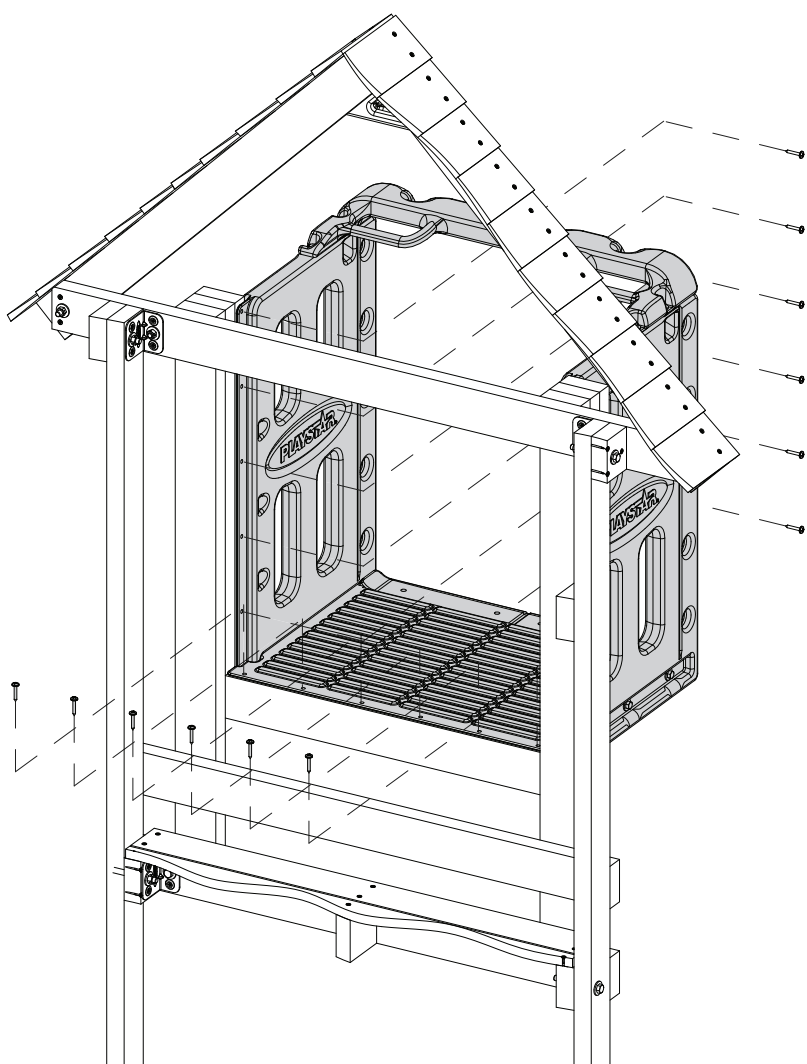
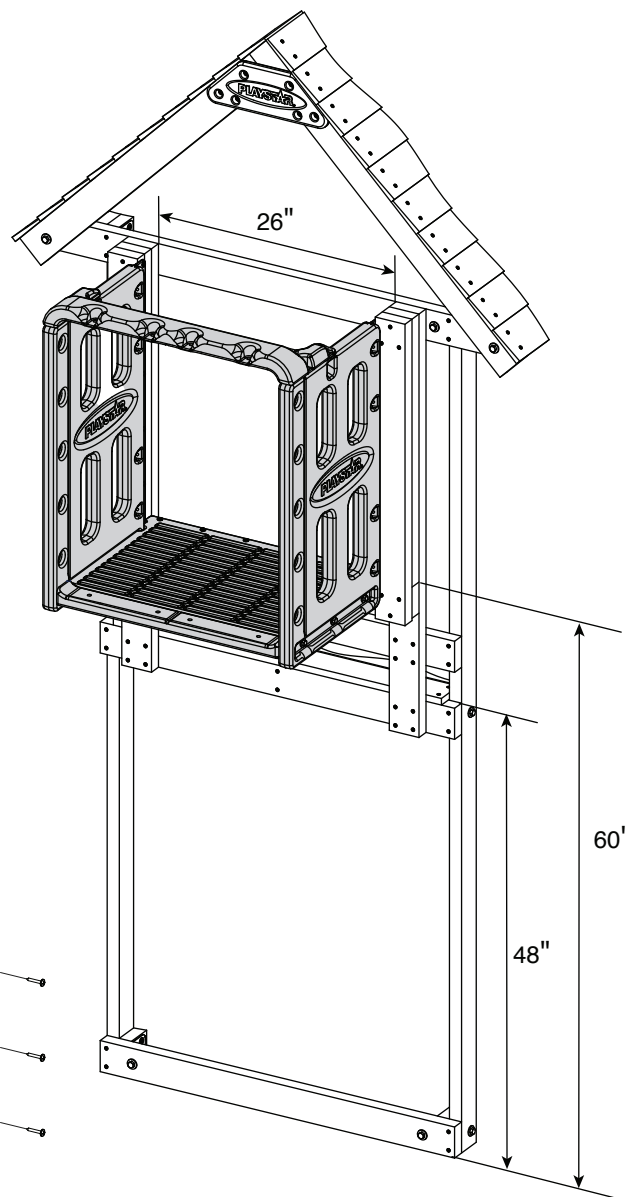
Position Crow's Nest Assembly into the playset opening.

(Refer to your original PlayStar Safety Guidelines and Building Instructions for complete playset construction details.)

Make sure the Crow's Nest Assembly is fully inserted, and all three flanges are firmly resting against the lumber. Mark holes with a pencil.

At each marked location, drill ⅛" holes 1" deep into the boards.

Secure assembly with #14 x 1¼" pan head screws as shown.



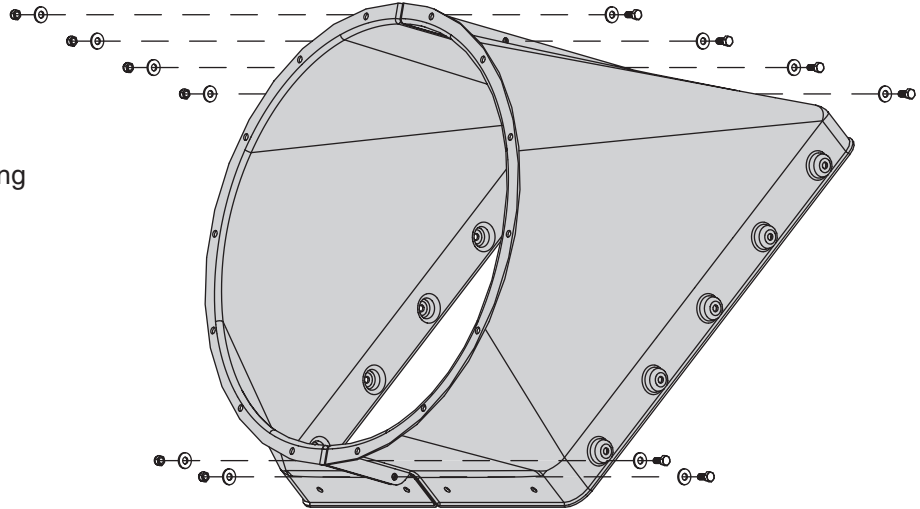
**SHOWN ON AN
RTA PLAYSET**

Items for **STEP 4:** Entrance Assembly

- (1) Left Entrance Section
- (1) Right Entrance Section
- (6) $\frac{5}{16}$ " x $\frac{3}{4}$ " hex bolts
- (12) $\frac{5}{16}$ " washers
- (6) $\frac{5}{16}$ " lock nuts

Attach the two entrance sections using $\frac{5}{16}$ " x $\frac{3}{4}$ " hex bolts, $\frac{5}{16}$ " washers and $\frac{5}{16}$ " lock nuts as shown.

Finger tighten only at this time.



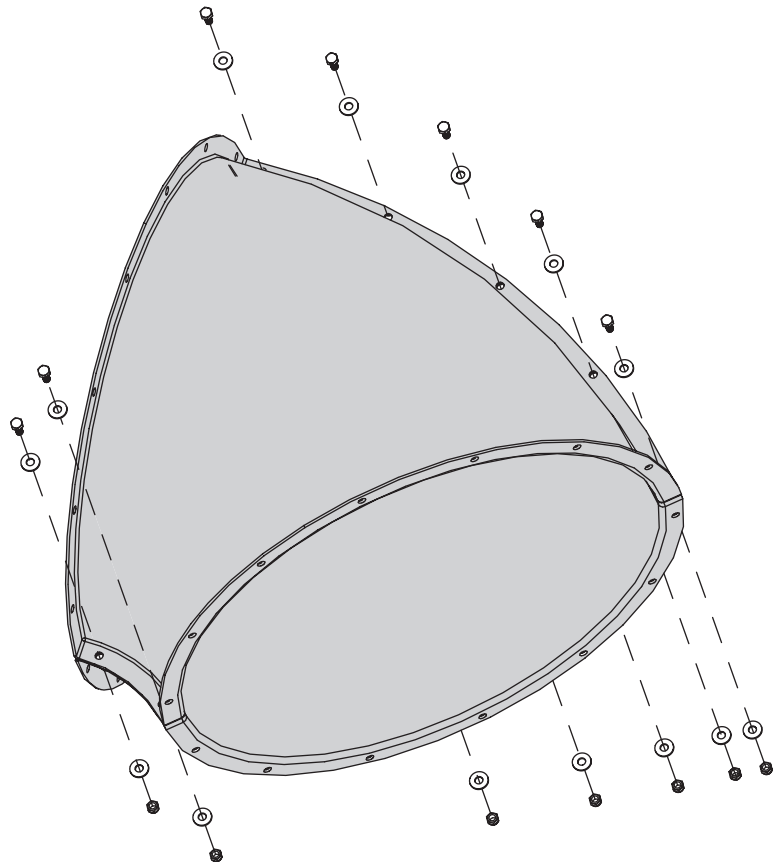
Items for **STEP 5:** 60° Tunnel Assembly

- (8) 60° halves
- (28) $\frac{5}{16}$ " x $\frac{3}{4}$ " hex bolts
- (56) $\frac{5}{16}$ " washers
- (28) $\frac{5}{16}$ " lock nuts

Attach two 60° halves using $\frac{5}{16}$ " x $\frac{3}{4}$ " hex bolts, $\frac{5}{16}$ " washers and $\frac{5}{16}$ " lock nuts as shown.

Finger tighten only at this time.

Repeat this assembly four times.

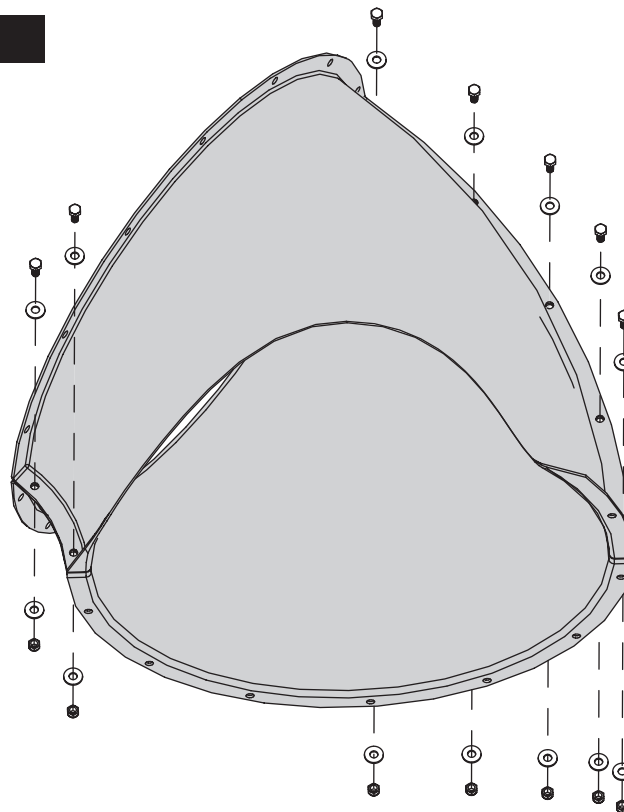


Items for STEP 6: 60° Exit Assembly

- (1) 60° half
- (1) Exit Top
- (7) 5/16" x 3/4" hex bolts
- (14) 5/16" washers
- (7) 5/16" lock nuts

Attach 60° half to the exit top using 5/16" x 3/4" hex bolts, 5/16" washers and 5/16" lock nuts as shown.

Finger tighten only at this time.



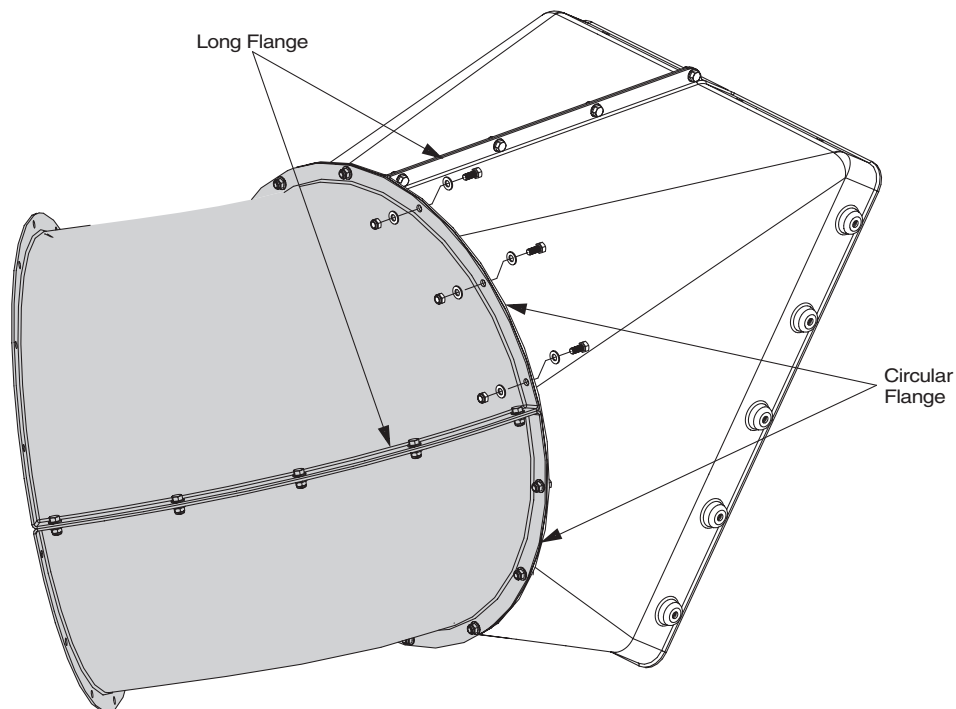
Items for STEP 7:

- (1) Entrance Assembly
- (1) 60° Tunnel Assembly
- (14) 5/16" x 3/4" hex bolts
- (28) 5/16" washers
- (14) 5/16" lock nuts

Attach one 60° Tunnel Assembly to the Entrance Assembly using 5/16" x 3/4" hex bolts, 5/16" washers and 5/16" lock nuts as shown.

Finger tighten only at this time.

Note: The long flange on the 60° Tunnel Assembly will be rotated clockwise, with three bolts between the two long flanges.



Note: If the circular flanges along the Entrance Assembly are not straight due to packaging or shipping, place components in direct sun and or use a household hair dryer to soften flanges. Then bend straight using your hands.

Assembly Tip: If lining up holes is difficult, loosen bolts on the long flange of each component to give more clearance.

Items for STEP 8:

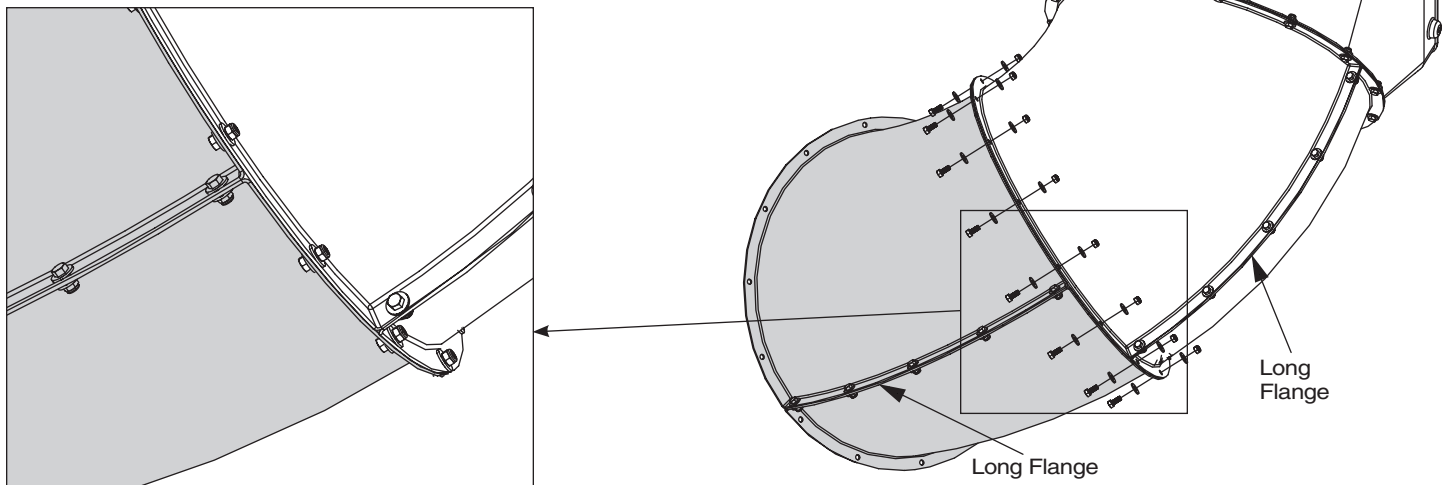
- (3) 60° Tunnel Assemblies
- (42) $\frac{5}{16}$ " x $\frac{3}{4}$ " hex bolts
- (84) $\frac{5}{16}$ " washers
- (42) $\frac{5}{16}$ " lock nuts

Attach 60° Tunnel Assembly using $\frac{5}{16}$ " x $\frac{3}{4}$ " hex bolts, $\frac{5}{16}$ " washers and $\frac{5}{16}$ " lock nuts as shown.

Finger tighten only at this time.

Note: *The long flange on the 60° Tunnel Assemblies will be rotated counter-clockwise with only one bolt between the two long flanges.*

Repeat for each Additional 60° Tunnel Assembly.



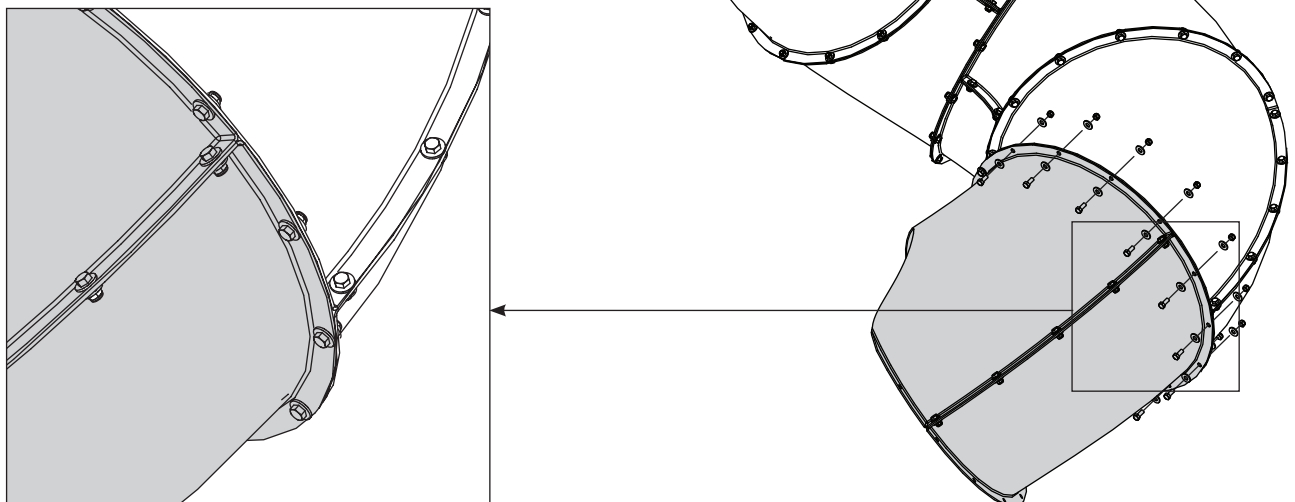
Items for STEP 9:

- (1) 60° Exit Assembly
- (14) $\frac{5}{16}$ " x $\frac{3}{4}$ " hex bolts
- (28) $\frac{5}{16}$ " washers
- (14) $\frac{5}{16}$ " lock nuts

Attach the 60° Exit Assembly using $\frac{5}{16}$ " x $\frac{3}{4}$ " hex bolts, $\frac{5}{16}$ " washers and $\frac{5}{16}$ " lock nuts as shown.

Finger tighten only at this time.

Note: *The long flange on the 60° Exit Assembly will be rotated counter-clockwise with only one bolt between the two long flanges.*

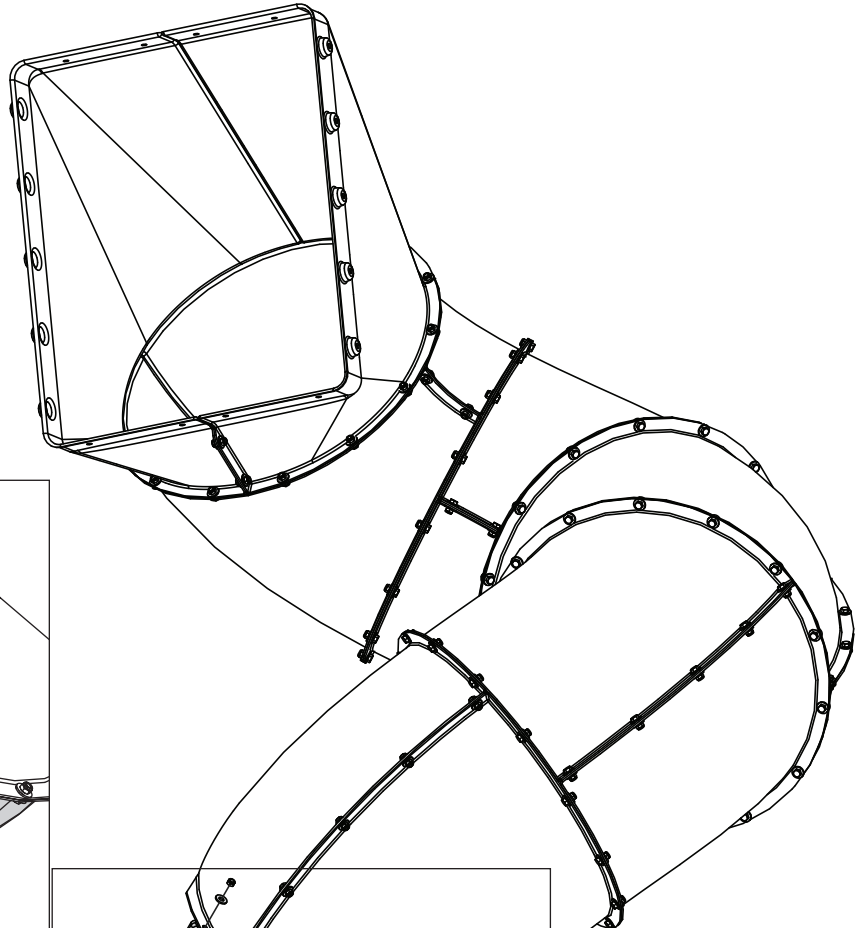
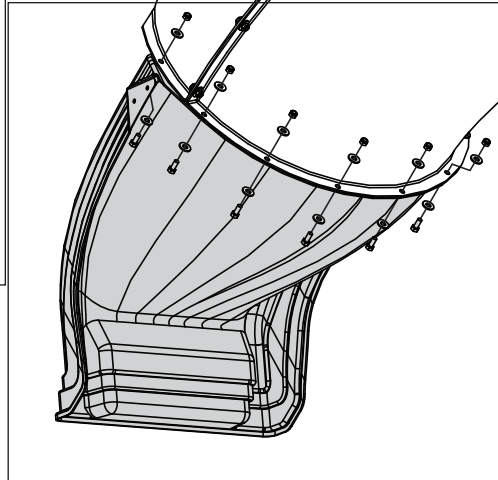
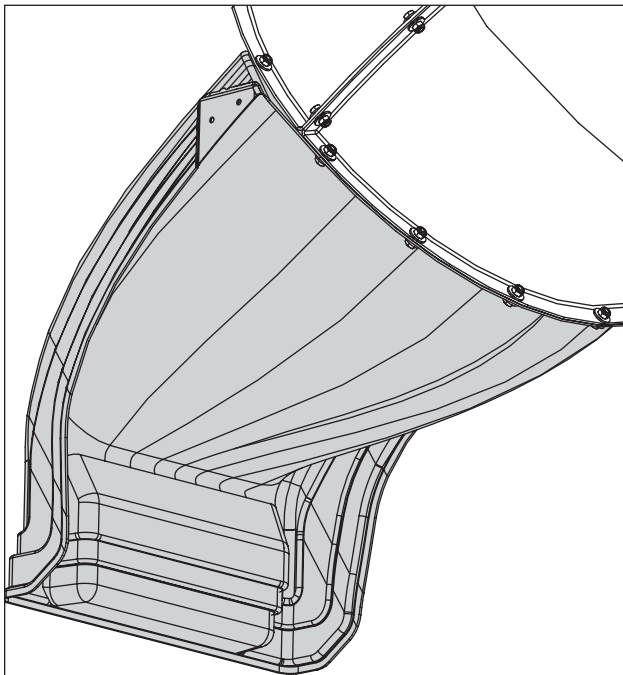


Items for STEP 10:

- (1) Exit
- (8) $\frac{5}{16}$ " x $\frac{3}{4}$ " hex bolts
- (16) $\frac{5}{16}$ " washers
- (8) $\frac{5}{16}$ " lock nuts

Attach the Exit using $\frac{5}{16}$ " x $\frac{3}{4}$ " hex bolts, $\frac{5}{16}$ " washers and $\frac{5}{16}$ " lock nuts as shown.

Finger tighten only at this time.



At this time use a $\frac{1}{2}$ " socket and wrench to tighten all the nuts and bolts that have been finger tightened in Steps 4 through 10 while making sure flanges are relatively flush with each other.

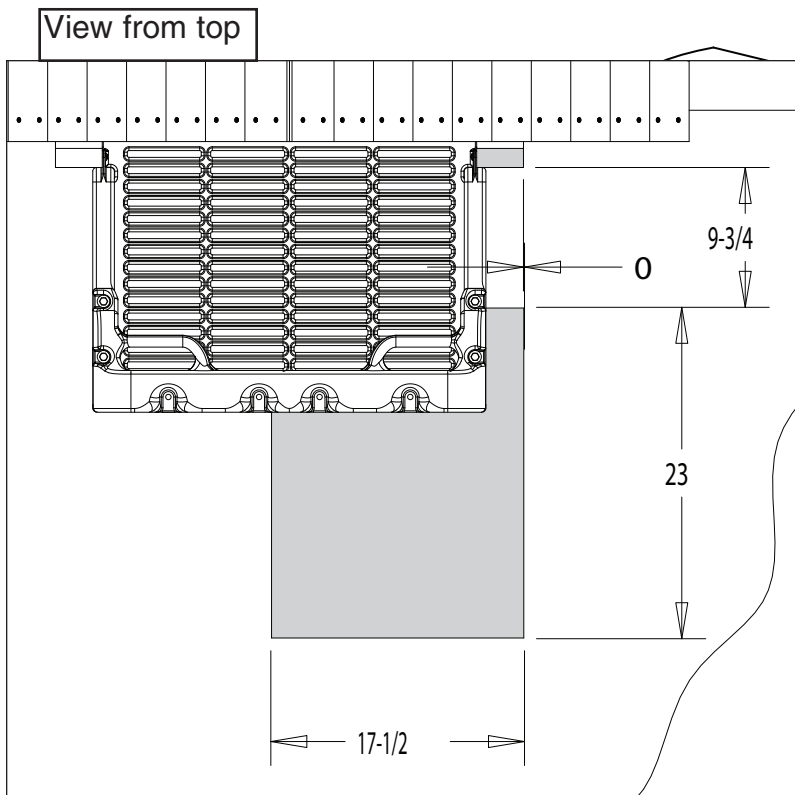
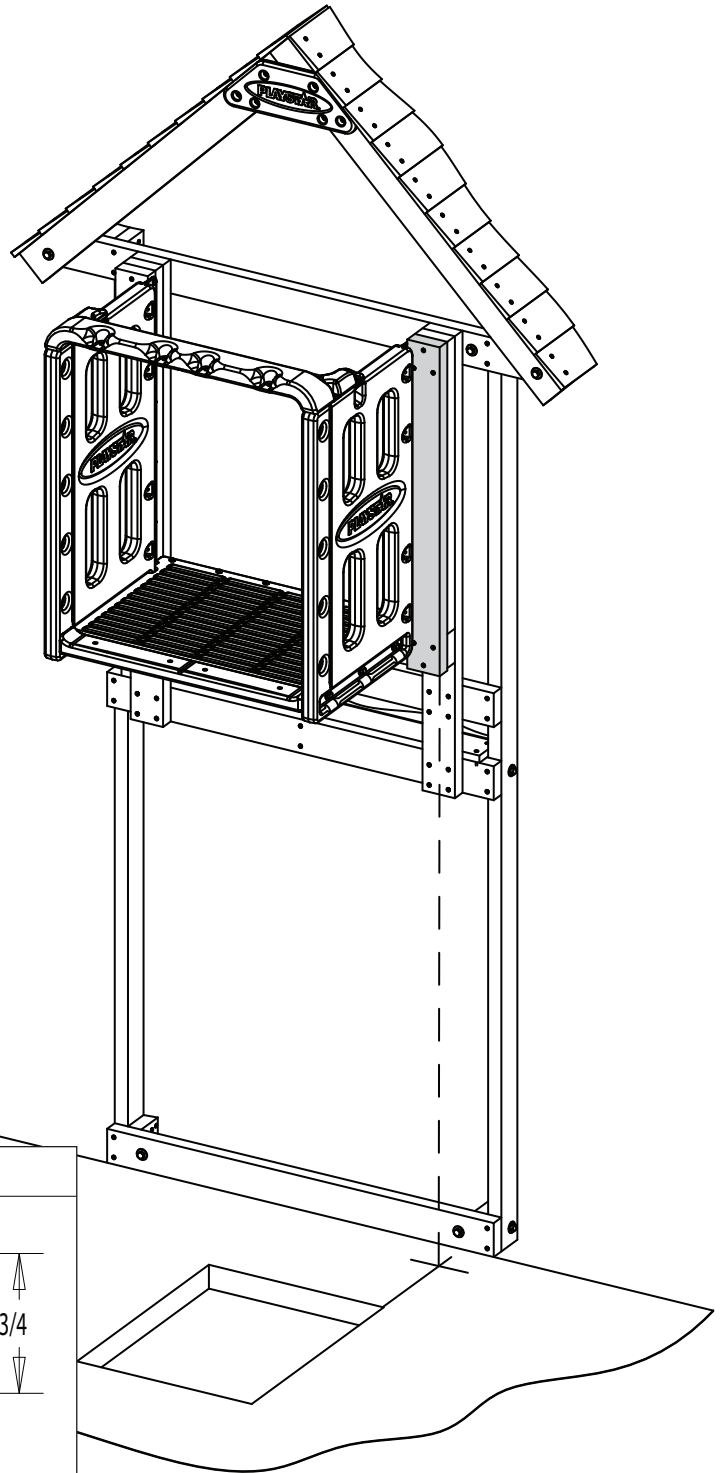
DO NOT OVER TIGHTEN!

STEP 11:

The Spiral Tube Slide is designed to have the exit buried $1\frac{1}{2}$ " into the ground. Using the 2" x 4" to the right of the crow's nest as a reference, mark a 23 " x $17\frac{1}{2}$ " rectangle on the ground as shown. Remove $1\frac{1}{2}$ " of soil at the marked location.

Note: Failure to do this step will create a hazardous condition and misuse of this product.

This area will be filled in after aligning and attaching the support bracket.



Items for **STEP 12:**

- (8) $\frac{5}{16}$ " x $\frac{3}{4}$ " stove bolts
- (8) $\frac{5}{16}$ " washers
- (8) $\frac{5}{16}$ " lock nuts

Lift the assembly to the upright position and insert the entrance end into the **Crow's Nest Assembly**.

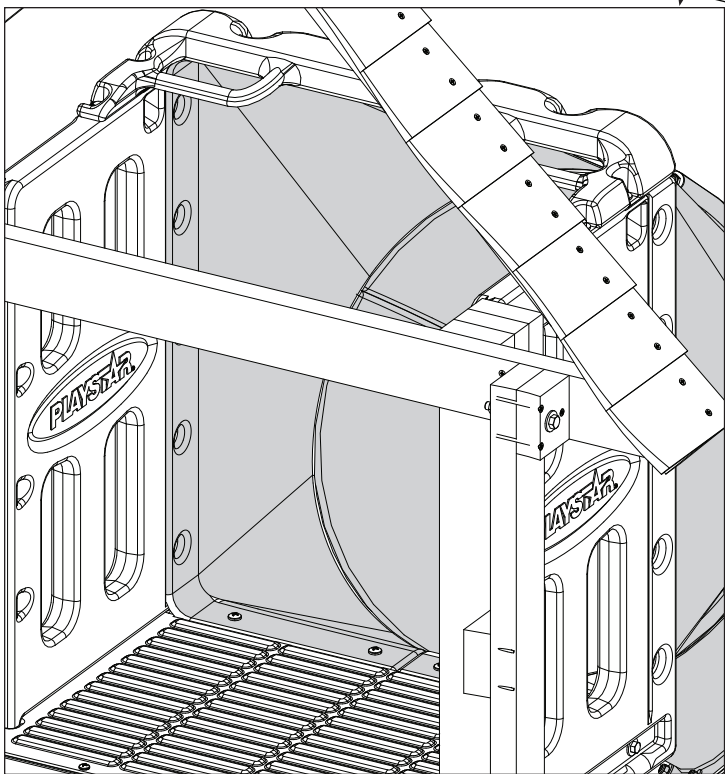
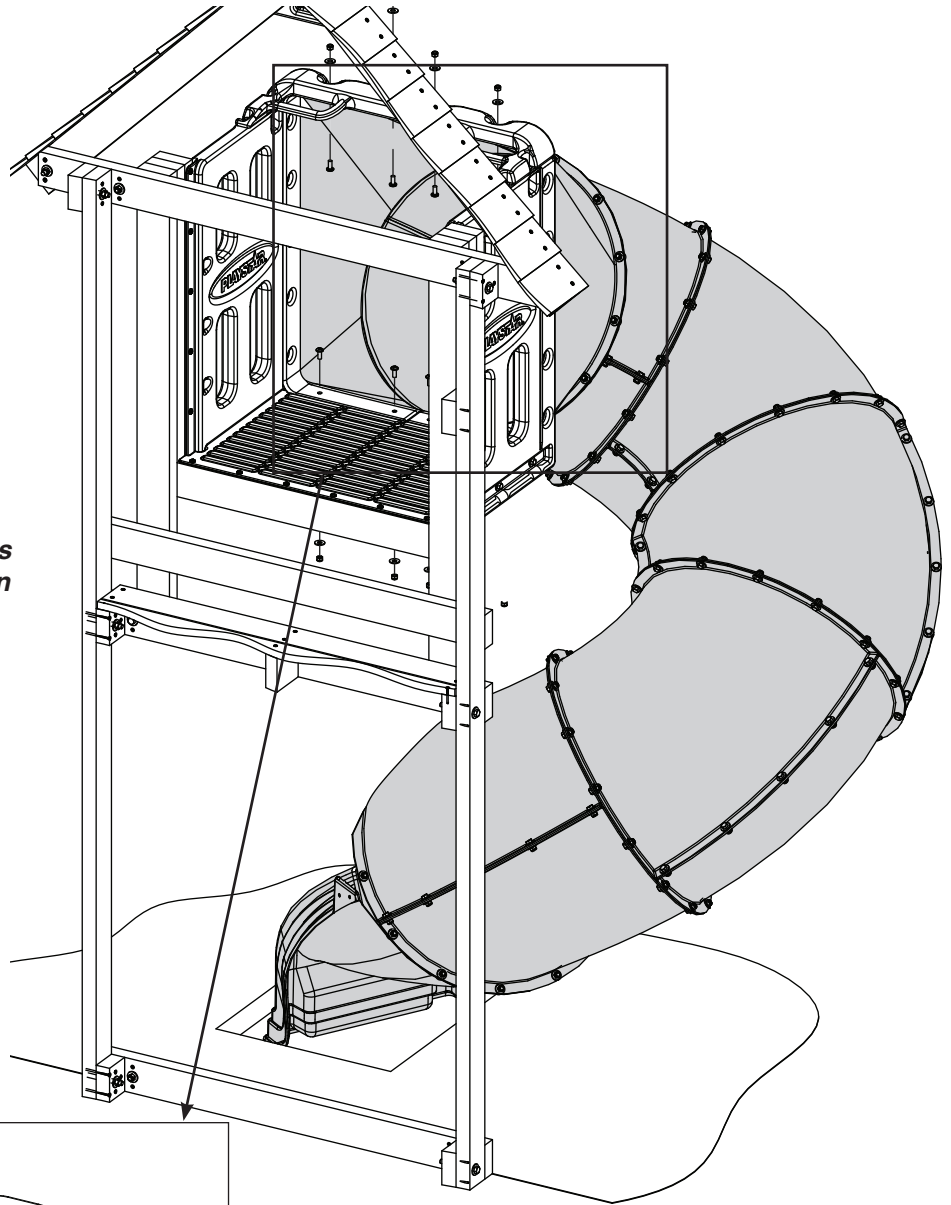
This requires two adults.

Attach at top and bottom using $\frac{5}{16}$ " x $\frac{3}{4}$ " stove bolts, $\frac{5}{16}$ " washers and $\frac{5}{16}$ " lock nuts as shown.

Tighten firmly but **do not over tighten**.

Note: The pan head of the stove bolts must be on the inside and lock nuts on the outside as shown.

Note: Make sure the exit is resting firmly in hole dug in previous step.

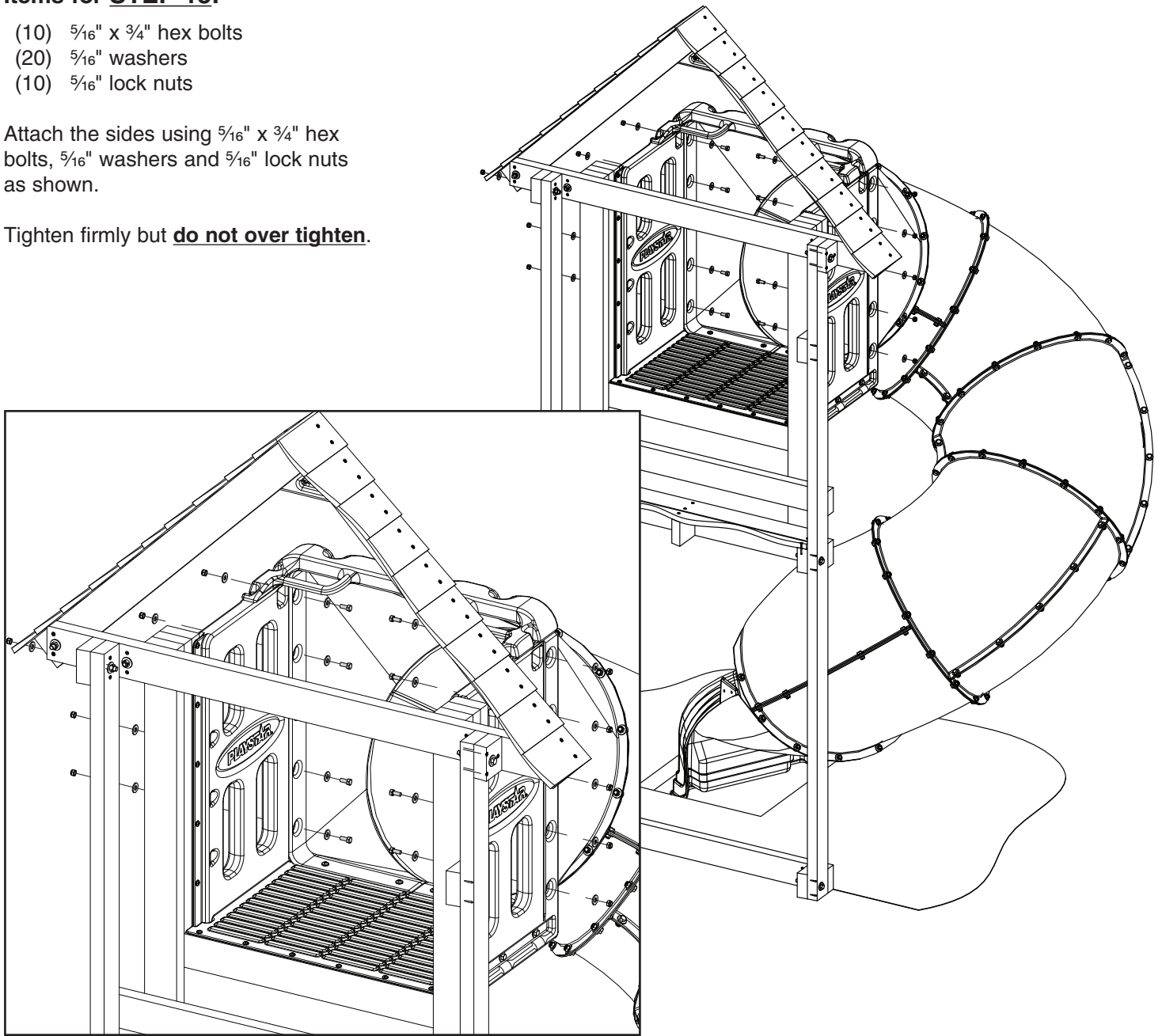


Items for **STEP 13:**

- (10) $\frac{5}{16}$ " x $\frac{3}{4}$ " hex bolts
- (20) $\frac{5}{16}$ " washers
- (10) $\frac{5}{16}$ " lock nuts

Attach the sides using $\frac{5}{16}$ " x $\frac{3}{4}$ " hex bolts, $\frac{5}{16}$ " washers and $\frac{5}{16}$ " lock nuts as shown.

Tighten firmly but **do not over tighten**.

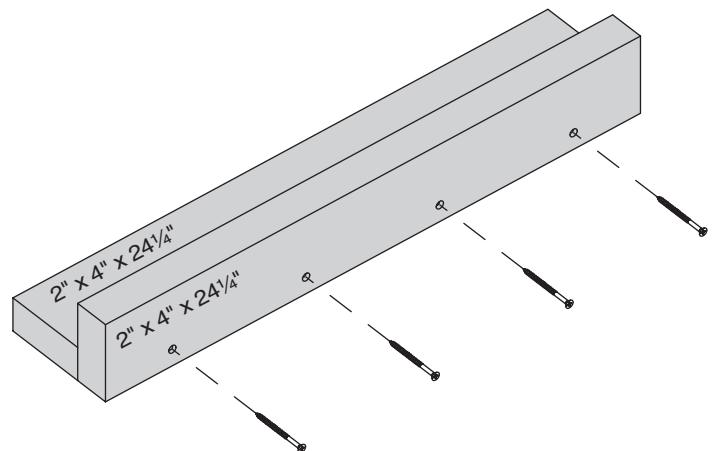


Items for **STEP 14:**

- (2) 2" x 4" x 24 $\frac{1}{4}$ " boards
- (4) #8 x 2 $\frac{1}{2}$ " deck screws

On a flat work surface place the 2" x 4" x 24 $\frac{1}{4}$ " boards to form an "L" as shown. Make sure the ends are flush on both sides.

Drill an $\frac{1}{8}$ " hole at locations shown. Secure with #8 x 2 $\frac{1}{2}$ " deck screws.



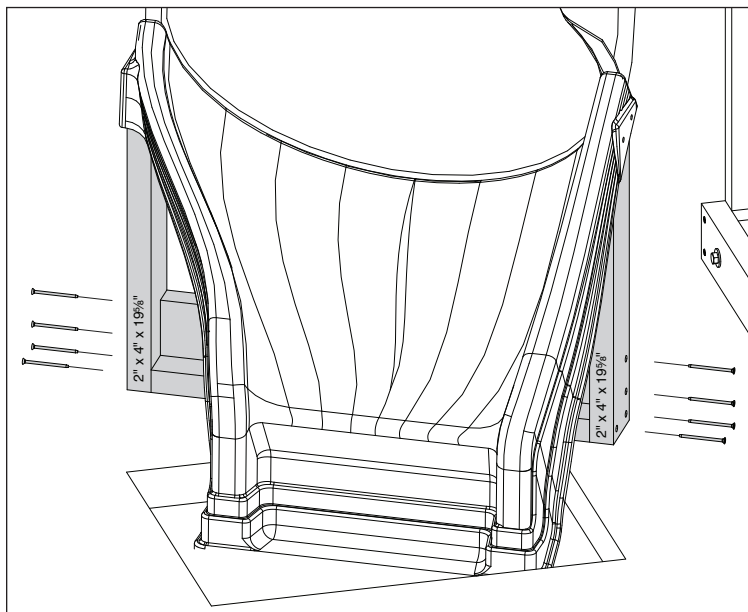
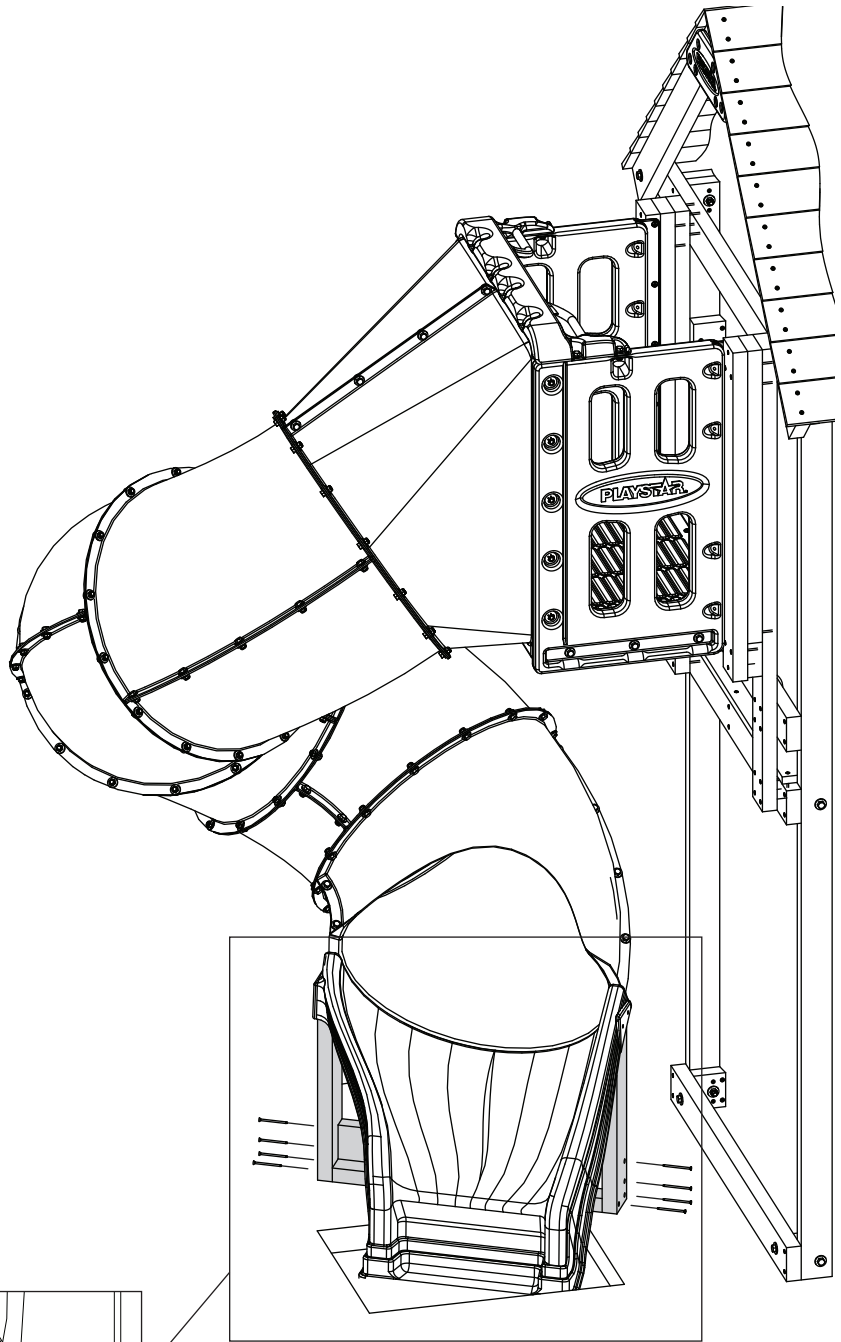
Items for STEP 15:

- (1) Step 14 Assembly
- (2) 2" x 4" x 19⁵/₈" boards
- (8) #8 x 2¹/₂" deck screws

Lay the Step 14 Assembly on the ground under the slide exit as shown.

Insert one 2" x 4" x 19⁵/₈" into each of the exit pockets as shown. Make sure both sides are flush with the Step 14 Assembly laying on the ground.

Drill an 1/8" hole at locations shown. Secure each 2" x 4" x 19⁵/₈" to the Step 14 Assembly with #8 x 2¹/₂" deck screws as shown.



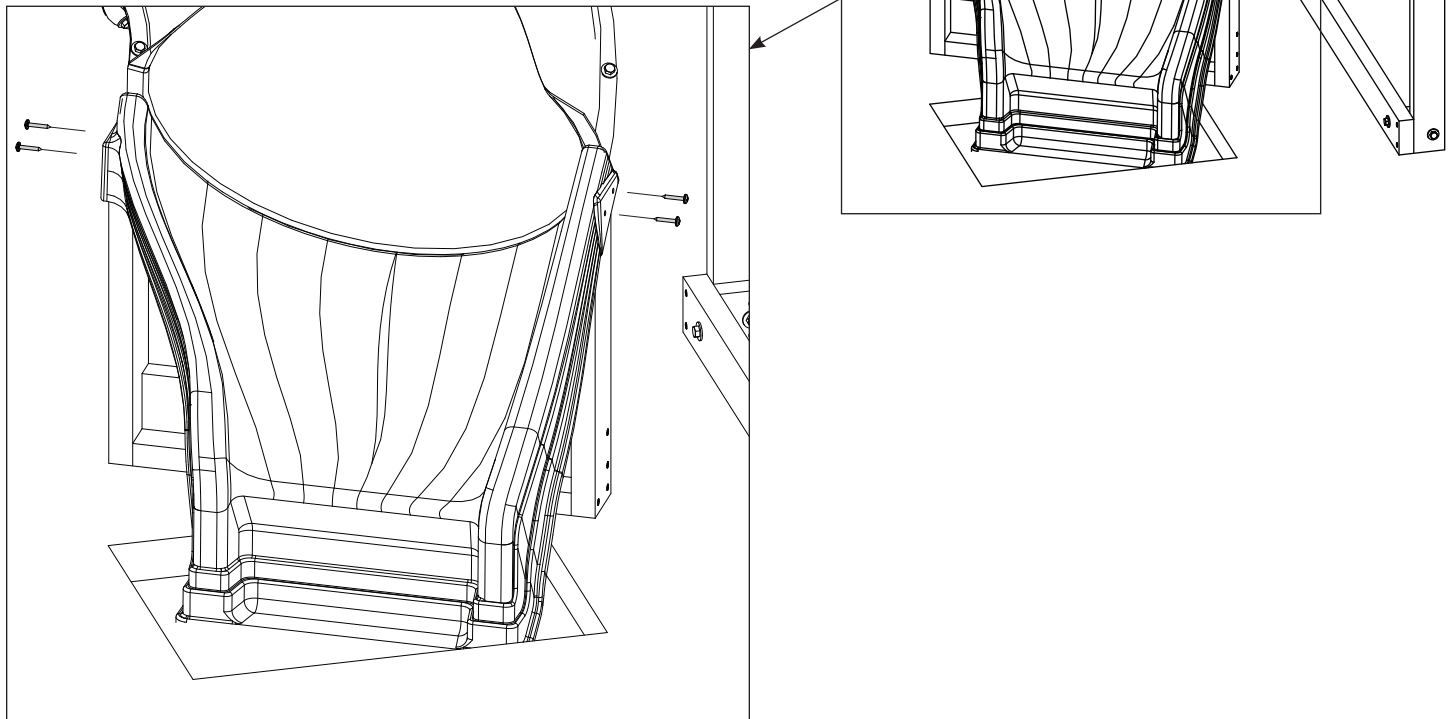
Items for **STEP 16:**

- (4) #14 x 1¼" pan head screws

Make sure the 2" x 4" x 19⅝" boards are vertical and the exit pockets are firmly resting on top of them. Using the exit pocket holes as pattern, drill ⅛" holes 1" deep into the boards.

Note: *Be careful not to drill deeper than 1" or the exit could be damaged.*

Attach with #14 x 1¼" pan head screws on each pocket as shown.



Items for **STEP 17:**

- (2) Anchors
- (2) $\frac{3}{8}$ " x 2" lag screws
- (2) $\frac{3}{8}$ " washers

Make sure the exit is level and making firm contact with the ground.

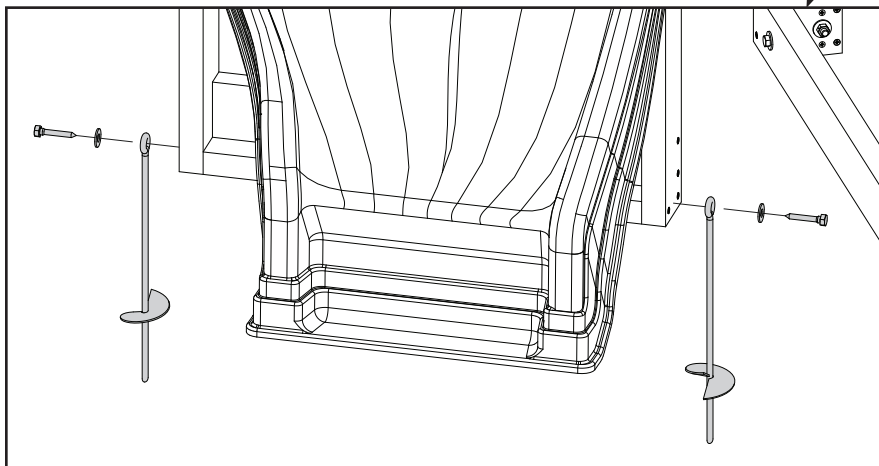
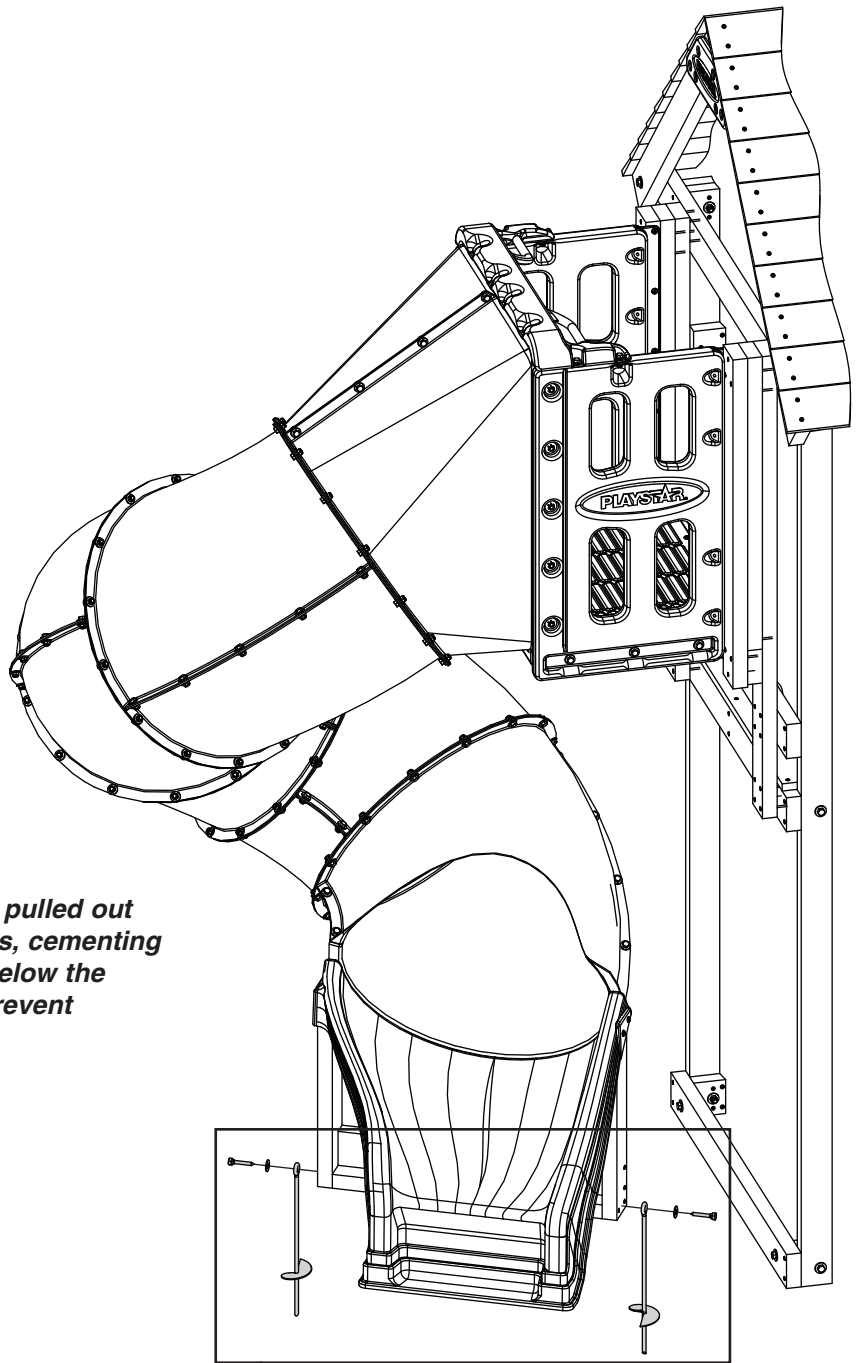
Note: *If the exit is not making contact with the ground, it will be necessary to remove earth under the lumber support until exit firmly contacts the ground.*

At locations shown screw Playset Anchors into ground by hand (a long screwdriver will help).

Use the anchor mounting hole as a drill guide and drill a $\frac{1}{4}$ " hole $1\frac{1}{2}$ " deep into the boards. Attach with $\frac{3}{8}$ " x 2" lag screws and $\frac{3}{8}$ " washers provided.

Fill in around bottom of slide exit to make surface level with surrounding grade.

Note: *If soil conditions permit anchors to be pulled out easily, such as in sandy soil conditions, cementing is required. Anchors must be placed below the level of shock-absorbing material to prevent tripping or injury resulting from a fall.*





Follow this section if your playset is a **Ready To Assemble** .

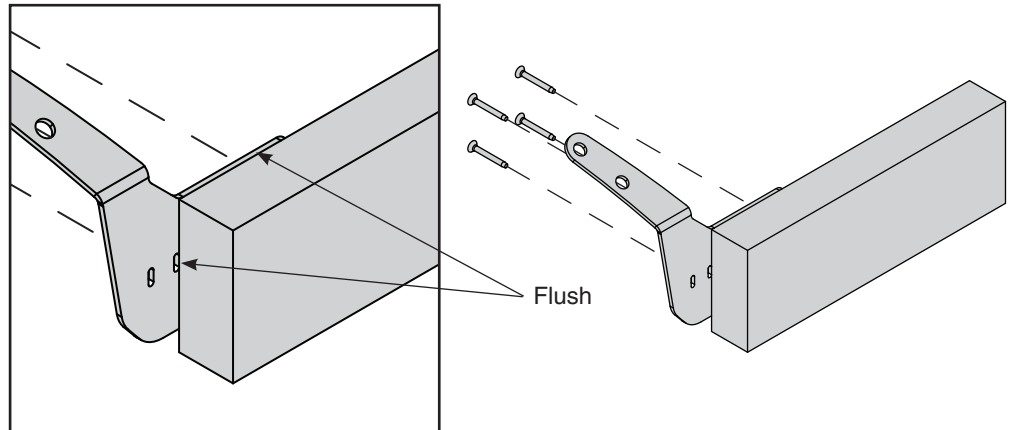
If your playset is **Build it Yourself**, proceed to page 17.

Items for **STEP 18-RTA:**

- (1) Support Bracket
- (1) 2" x 4" x 9½" board
- (4) #8 x 1¼" deck screws

Align the top edge and the second slot of the support bracket with the top and end of the 2" x 4" x 9½" board as shown.

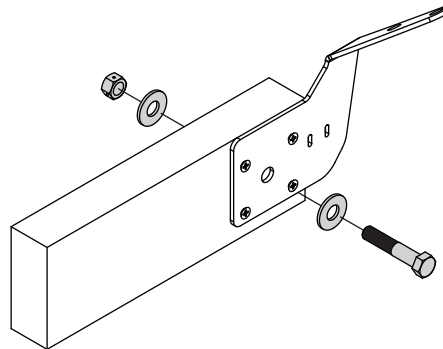
Use the bracket as template and drill ⅛" holes 1" deep. Secure with #8 x 1¼" deck screws.



Items for **STEP 19-RTA:**

- (1) ⅜" x 2" hex bolt
- (2) ⅜" washers
- (1) ⅜" lock nut

Drill a ⅜" hole through the 2" x 4" x 9½" board. Attach with ⅜" x 2" hex bolt, ⅜" washers and ⅜" lock nut as shown.



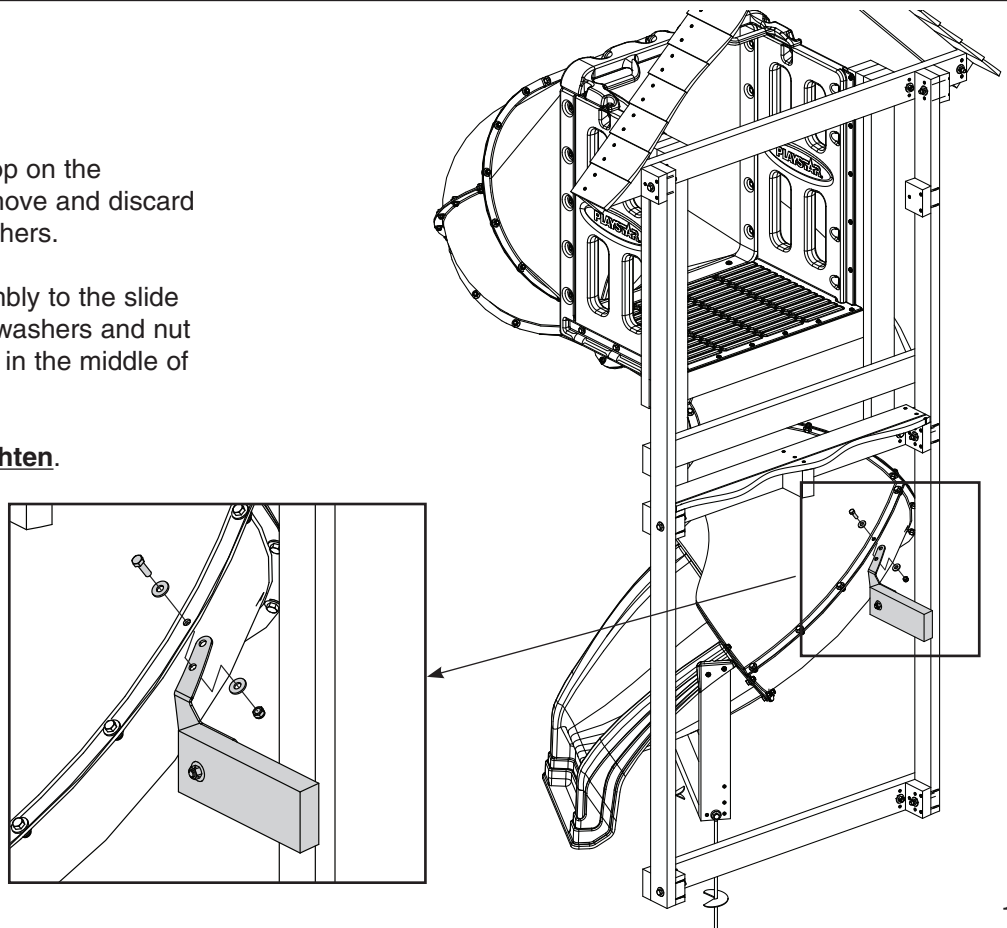
Items for **STEP 20-RTA:**

- (1) Support Bracket Assembly
- (1) ⅝" x 1" hex bolt

Locate the second bolt from the top on the 60° Exit Assembly as shown. Remove and discard the bolt, save the nut and the washers.

Attach the Support Bracket Assembly to the slide using a ⅝" x 1" hex bolt and the washers and nut saved previously through the hole in the middle of the bracket flange as shown.

Tighten firmly but **do not over tighten**.



Items for **STEP 21-RTA:**

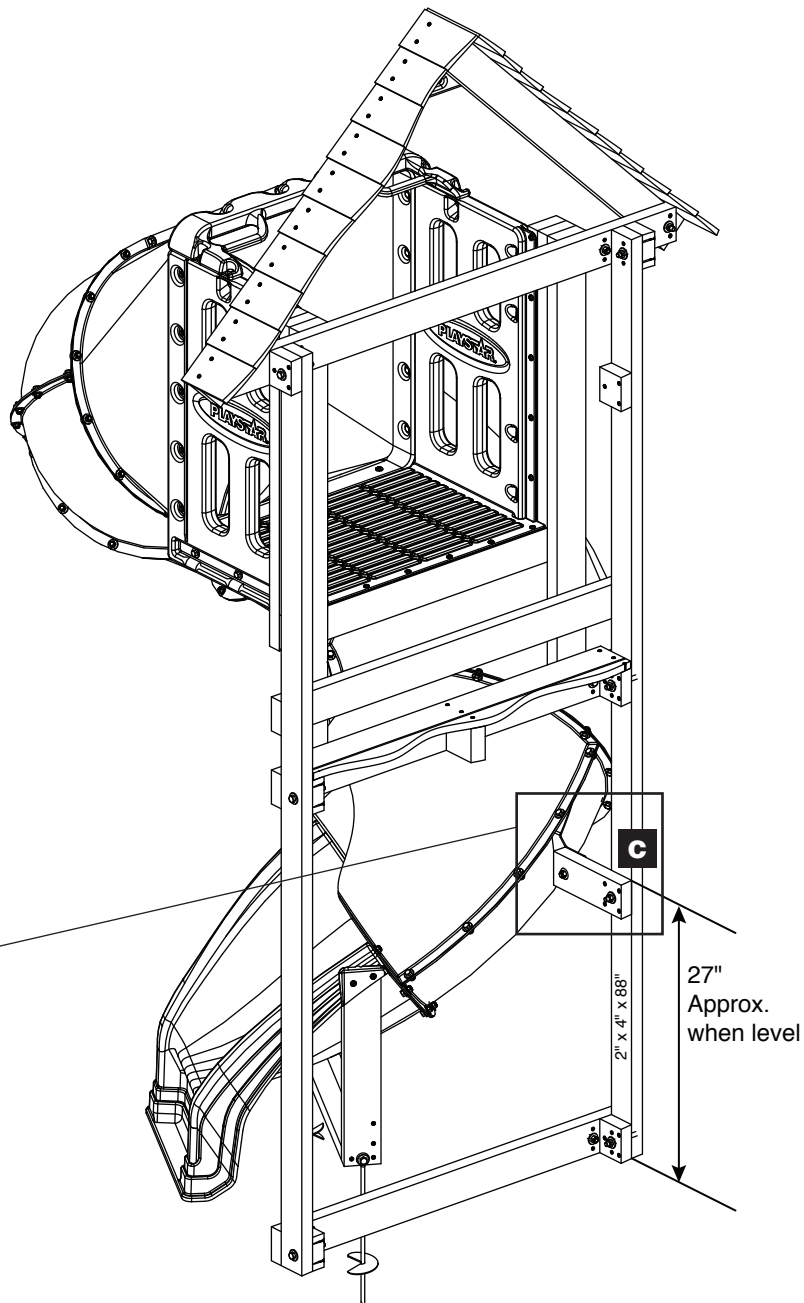
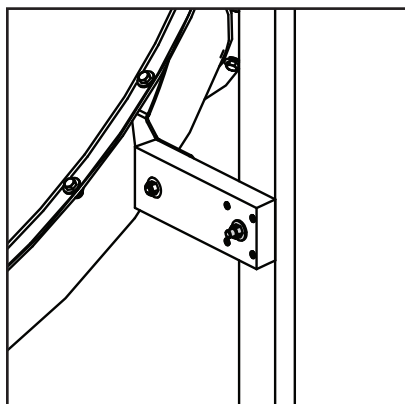
- (1) $\frac{3}{8}$ " x $3\frac{1}{2}$ " hex bolt
- (2) $\frac{3}{8}$ " washers
- (1) $\frac{3}{8}$ " lock nut
- (4) #8 x $2\frac{1}{2}$ " deck screws

Attach Support Bracket Assembly to the 2" x 4" x 88" board keeping it level as shown.

Make sure the Support Bracket Assembly does not torque or twist the tube slide when in contact with the 2" x 4" x 88" board.

Secure with #8 x $2\frac{1}{2}$ " deck screws.

Drill a $\frac{3}{8}$ " hole at the center of the deck screws through the boards. Secure with $\frac{3}{8}$ " x $3\frac{1}{2}$ " hex bolt, $\frac{3}{8}$ " washers and $\frac{3}{8}$ " lock nut as shown.



Note: *Inspect all fasteners before children are allowed to play on the Spiral Tube Slide*

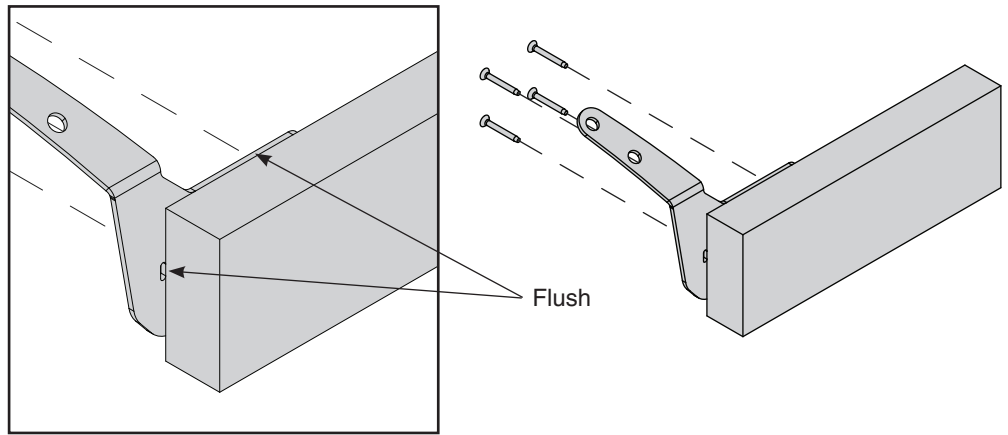
SEE PAGES 7 & 8
OF YOUR ORIGINAL
PLAYSET INSTRUCTIONS
FOR HOLE PATTERNS

Items for **STEP 18-BIY:**

- (1) Support Bracket
- (1) 2" x 4" x 9½" board
- (4) #8 x 1¼" deck screws

Align the top edge and the first slot of the support bracket with the top and end of the 2" x 4" x 9½" board as shown.

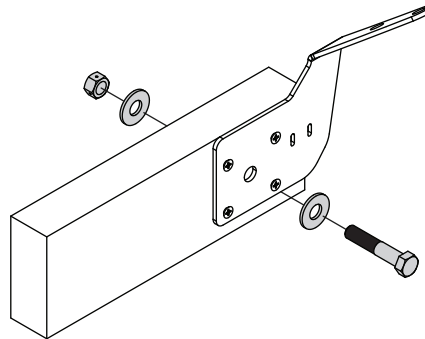
Use the bracket as template and drill ⅛" holes 1" deep. Secure with #8 x 1¼" deck screws.



Items for **STEP 19-BIY:**

- (1) ⅜" x 2" hex bolt
- (2) ⅜" washers
- (1) ⅜" lock nut

Drill a ⅜" hole through the 2" x 4" x 9½" board. Attach with ⅜" x 2" hex bolt, ⅜" washers and ⅜" lock nut as shown.



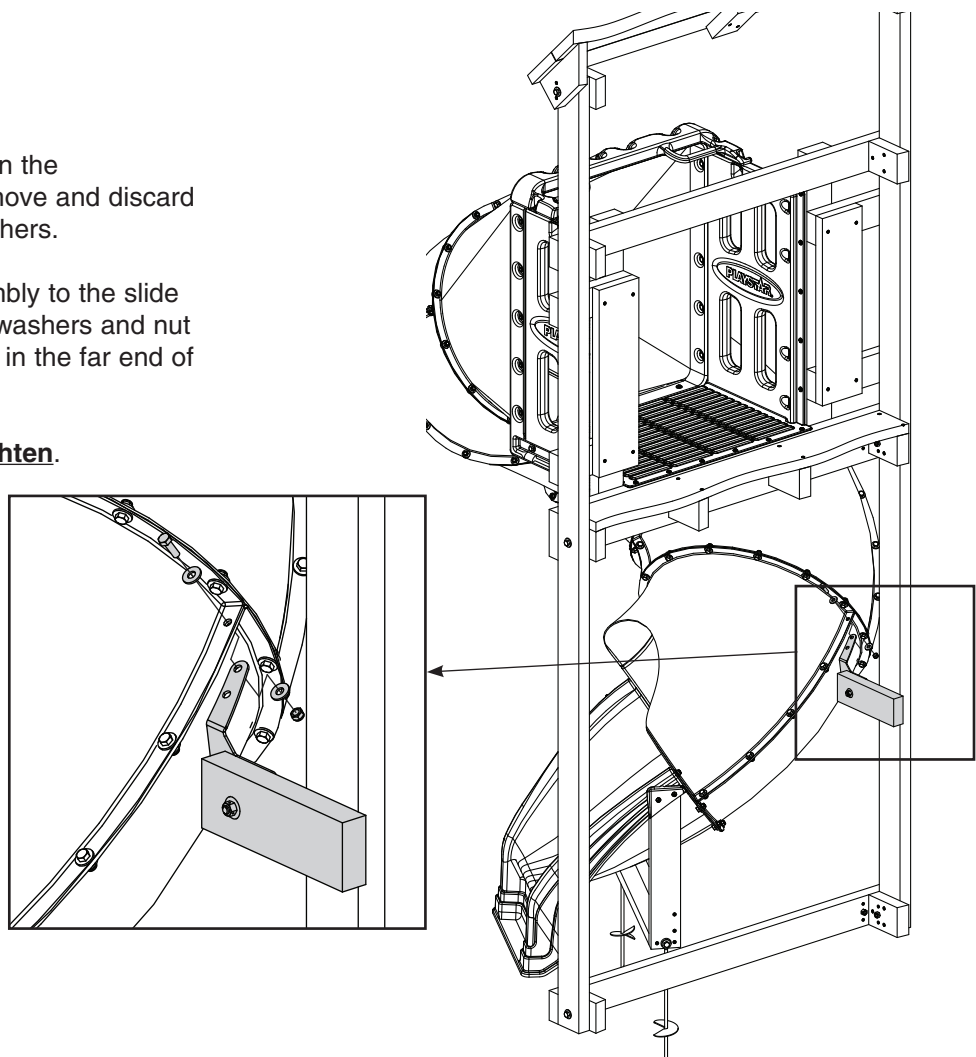
Items for **STEP 20-BIY:**

- (1) Support Bracket Assembly
- (1) ⅝" x 1" hex bolt

Locate the first bolt from the top on the **60° Exit Assembly** as shown. Remove and discard the bolt, save the nut and the washers.

Attach the Support Bracket Assembly to the slide using a ⅝" x 1" hex bolt and the washers and nut saved previously through the hole in the far end of the bracket flange as shown.

Tighten firmly but **do not over tighten**.



Items for **STEP 21-BIY**:

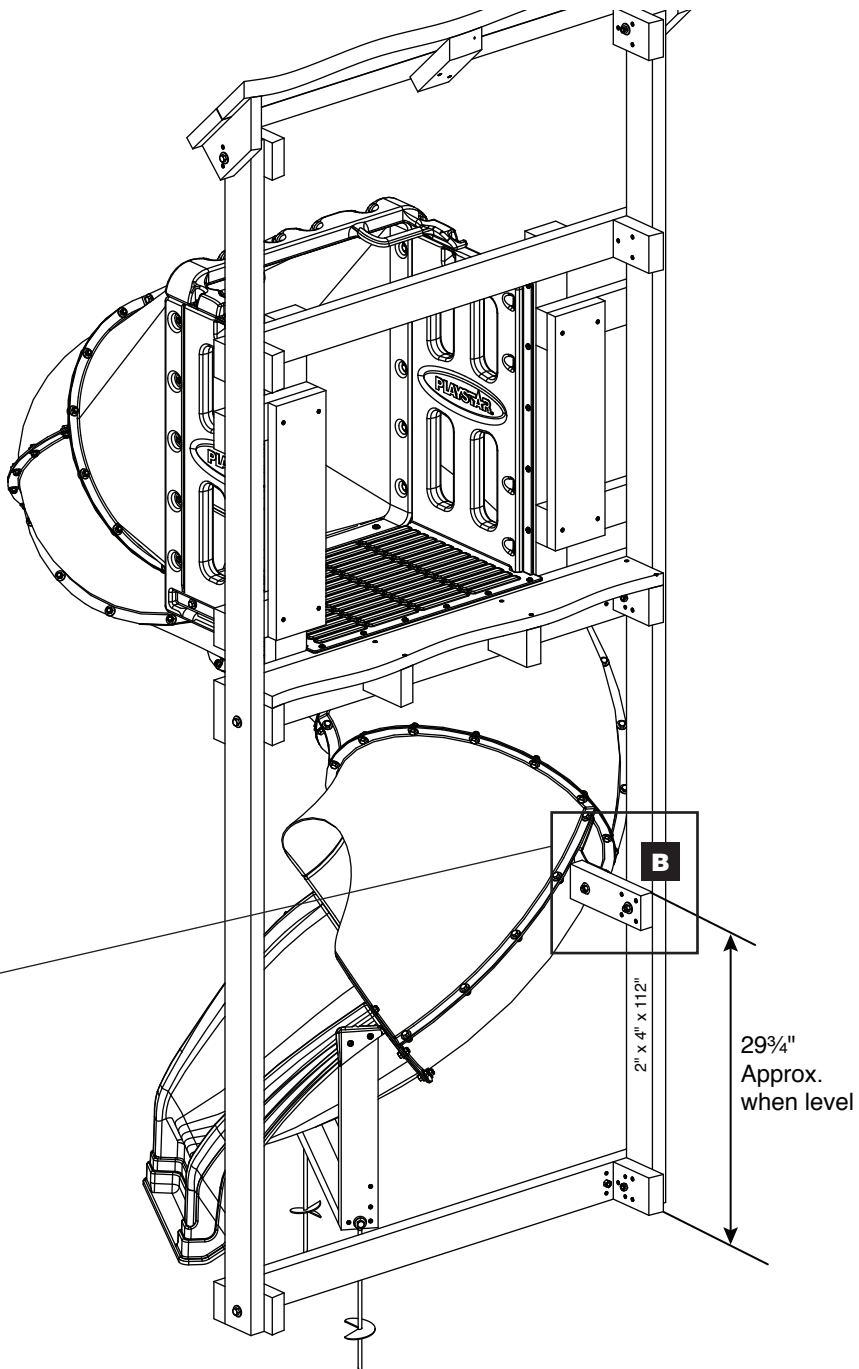
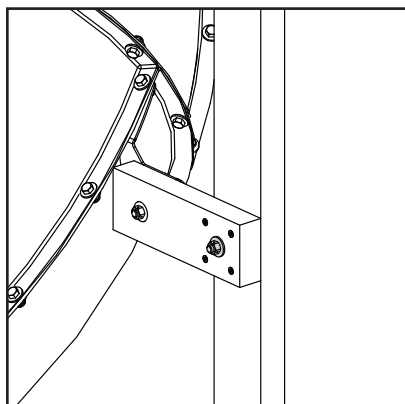
- (1) $\frac{3}{8}$ " x $3\frac{1}{2}$ " hex bolt
- (2) $\frac{3}{8}$ " washers
- (1) $\frac{3}{8}$ " lock nut
- (4) #8 x $2\frac{1}{2}$ " deck screws

Attach Support Bracket Assembly to the 2" x 4" x 112" board keeping it level as shown.

Make sure the Support Bracket Assembly does not torque or twist the tube slide when in contact with the 2" x 4" x 112" board.

Secure with #8 x $2\frac{1}{2}$ " deck screws.

Drill a $\frac{3}{8}$ " hole at the center of the deck screws through the boards. Secure with $\frac{3}{8}$ " x $3\frac{1}{2}$ " hex bolt, $\frac{3}{8}$ " washers and $\frac{3}{8}$ " lock nut as shown.



SEE PAGE 7
OF YOUR ORIGINAL
PLAYSET INSTRUCTIONS
FOR HOLE PATTERNS

Expand your Playset with the Water Slide Kit (PS 8840)

Add the Water Slide Kit to extend sliding surface. May be used wet or dry.

Kit includes: Water Slide, Water Cannon and Water Slide Stakes



Water Slide (7 foot extension)



Water Cannon®



Water Slide Stakes

Thank You for choosing PlayStar. Because it is our intention to make this a positive family experience, we have taken great care in preparing this product. Should you have any questions, or if we can assist you in any way, please call our friendly Customer Service Department for immediate action.

Do not return to the store.

Please call us Toll Free at 1-888-PLAYSTAR
(752-9782)

Monday through Friday, 8:00 A.M. to 5:00 P.M. C.S.T.

Ask for Customer Service.

We Will Gladly Help!



PlayStar, Incorporated, Janesville, WI 53547

© 2014 PlayStar, Inc. Reproduction of this document in part or whole is prohibited without the permission of PlayStar, Inc.
Protected by one or more of the following United States or Foreign Patents: US D573,222; US D580,507 CA D119,674