

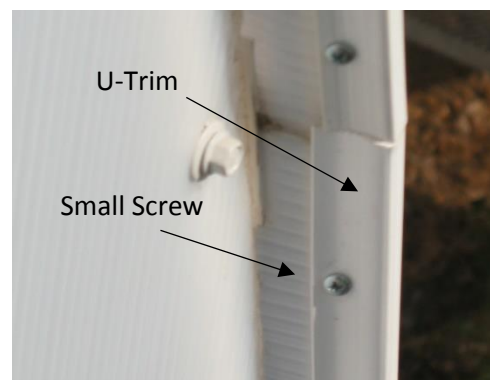
Hints for Solexx Greenhouse Glazing Application

<https://www.greenhousecatalog.com/solexx-installation> Last updated: 4-27-2020

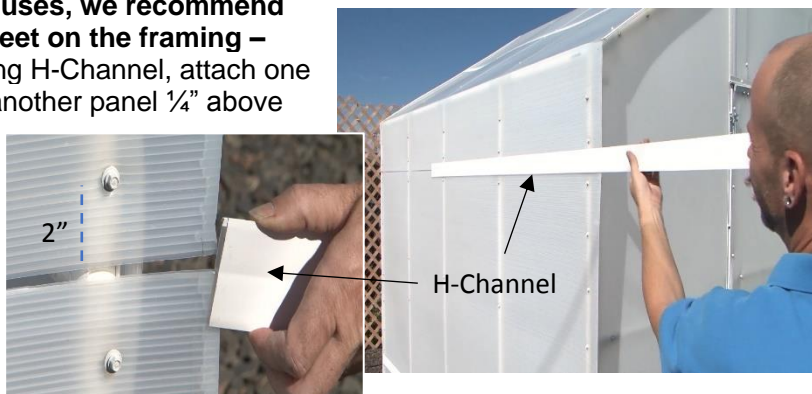
Solexx greenhouse covering is very strong yet flexible making it easy to work with. Because it is semi-transparent and diffuses light, it makes an ideal covering for greenhouses, end walls, light panels in barns... the possibilities are endless. The following contains a few tips on installing Solexx greenhouse paneling.

1. **Frame Spacing:** We recommend that the framing or trusses that will support your corrugated greenhouse panels be placed 24" apart on center in order to provide maximum support.
2. **Flute Direction:** Solexx paneling can be attached with the flutes running in either direction on your structure. We've found placing your greenhouse panels so that the flutes run perpendicular to your frame provides the maximum amount of strength for your structure. For plastic or wood framing, we recommend using our 1" Screws with neoprene washers, which helps prevent water from leaking into the flutes of the greenhouse panels. For metal framing use 1" Self-Tapping Screws. We suggest placing the screws about 18" apart on the stringers and about 4-6" apart on the perimeter or any overlapped joint. Be careful not to over-torque the screws or you may crush the greenhouse panel. The washers should just make a dimple in the greenhouse plastic.
3. **Cutting the Greenhouse Panels:** The panel is easily cut using a sharp thin utility knife or saw. It is helpful to attach the panel to your structure first, then use a sharp thin utility knife to follow the frame as a cutting guide. It works well to cut the panel with two passes of the knife. Use lightweight pressure on the 1st pass to score the panel and set the path the knife will follow for the 2nd pass. Apply more pressure on the 2nd pass to cut through the panel while making sure the knife follows the score line of the 1st pass.

4. **Using U-Trim:** On all 49.5" ends of paneling where there are exposed flutes, insert a ¼" bead of IS800 "clear" Silicone Rubber Adhesive Sealant (caulking) into the flutes. This prevents water intrusion and maximizes insulation by trapping air in the panel. Next, slip a U-trim over the end of the panel for a permanent cap. Secure U-trim with small Phillips screws by poking a small starter hole in one side of the U-trim with an ice pick or small nail and screwing through one side of the U-trim and into the Solexx™ paneling. Place each screw approximately one foot apart. Put caulking in all the holes you created to stop water penetration.

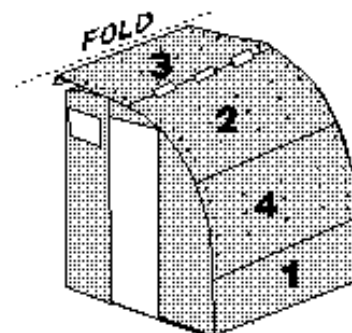


5. **Attaching the H-Channel:** H-Channel is recommended for aesthetic purposes for small greenhouses only. For large greenhouses, we recommend overlapping the panels where they meet on the framing – this provides the best seal. When using H-Channel, attach one Solexx panel to your frame and attach another panel ¼" above the first panel. This leaves enough space to slide the H-channel into the gap and between the panels. Attach screws approx. 1" away from each side of the H-Channel. **Do not screw into the H-channel.** If H-channel is difficult to slide on, try spraying the grooves of the H-channel and the



edges of the panels with a little WD-40 and tap with a rubber mallet. **Please note: If installing H-Channel on a roof, you may experience drips during heavy rain.**

6. **Folding the Greenhouse Panels:** It's not necessary to cut Solexx corrugated plastic greenhouse paneling when installing over roof peaks or around corners. You can score the greenhouse covering by using a straight edge and a small blunt object such as a Philips screwdriver or handle of a butter knife (be careful not to cut the plastic), and then fold the panel along the scored line. Solexx can be scored either in the direction of the flutes or across the flutes.



7. **Changes in Size:** Apply the paneling when the temperature is at the mean (Yearly average) temperature for your area to allow for expansion and contraction.
8. **Cleaning Solexx Greenhouse Covering:** Wipe down the greenhouse panels with soap and water once a year for maximum light transmission efficiency and to keep your greenhouse looking great! It is safe to use disinfectant on Solexx.
9. **Other Applications:** Although corrugated plastic greenhouse panels do not have "building code certification" they have been successfully used for deck coverings, carports, swimming pool covers, porch enclosures, and wood storage. Some have had good results, although we have found that it is not always the most suitable product for these applications.
10. **Panel Shipping:** Solexx is rolled for savings in shipping UPS. Remove the panels from the box and straighten by laying them out flat in a warm environment. If the roll/panel has been in storage for a period of time, it may have developed a slight yellow tint from the UV inhibitor. Exposure to direct sunlight should quickly clear this up.

PLEASE NOTE: Do not use the panels to square your structure. Solexx™ panels and rolls may not be perfectly square.

If you have any additional questions about Solexx Greenhouse covering, please don't hesitate to call **Adapt8 / Solexx at 1-877-476-5399.**