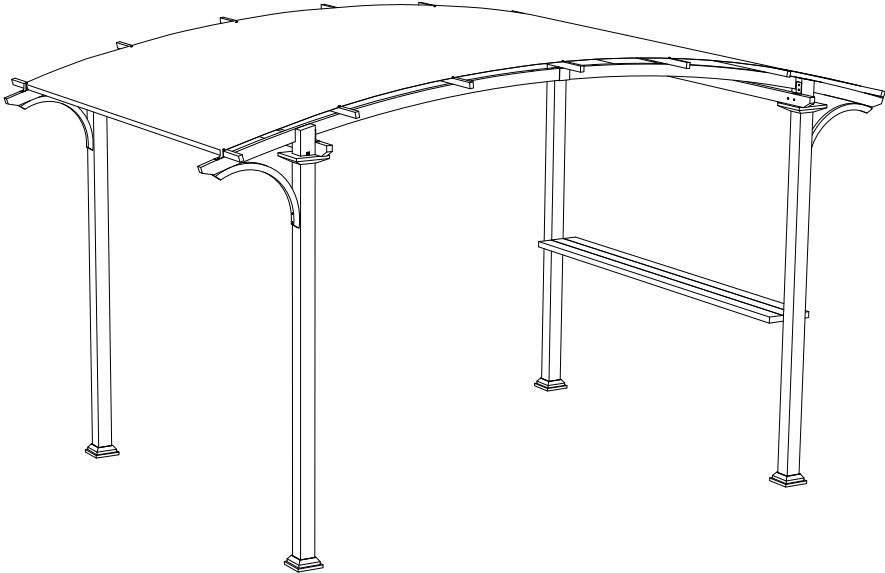


**ITEM NO.: A106004502**



**WE HAVE YOU IN MIND, LET US SERVE YOU!**


Questions? Issues?

**CONTACT US**

24 hours / 7 days a week

 [www.sunjoyonline.com](http://www.sunjoyonline.com)

 [customer.care@sunjoygroup.com](mailto:customer.care@sunjoygroup.com)

Toll Free  1-(866)-578-6569

## Safety Information

- **Two people** are required for this assembly.
- Some parts may contain sharp edges. Wear protective gloves.
- When assembling and using this product, basic safety precautions should always be followed to reduce the risk of personal injury and damage to equipment. Please read all instructions before assembly and usage.



**CAUTION: Do not climb on top of the gazebo. Falling off the gazebo can result in serious injury.**

**NOTICE: For outdoor use**

**Warranty: 1 Year**



**DANGER: This unit is heavy! Do not assemble this item alone.**



**WARNING: Do not leave the gazebo where there is a risk of high wind, as possible damage will occur to the structure.**



**WARNING: Keep all flame and heat sources away from this gazebo fabric.**

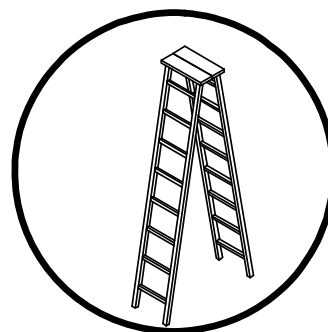
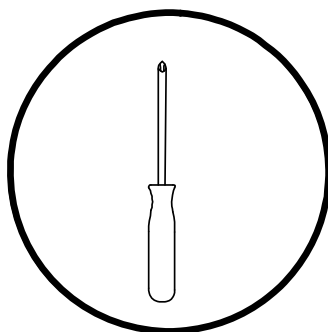
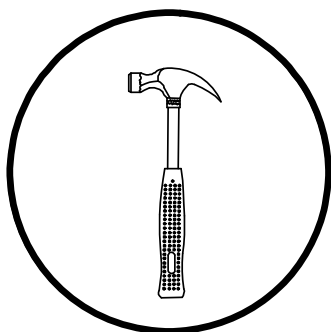
## WHAT IS COVER?

The limited warranty is extended to the original purchaser and applies to material and manufacturer's defect provided the item is maintained with care and used only for personal, residential purposes.

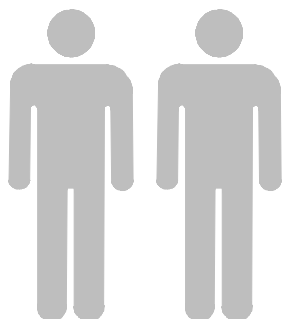
## IMPORTANT

**KEEP THIS INSTRUCTION MANUAL FOR FUTURE REFERENCE.**

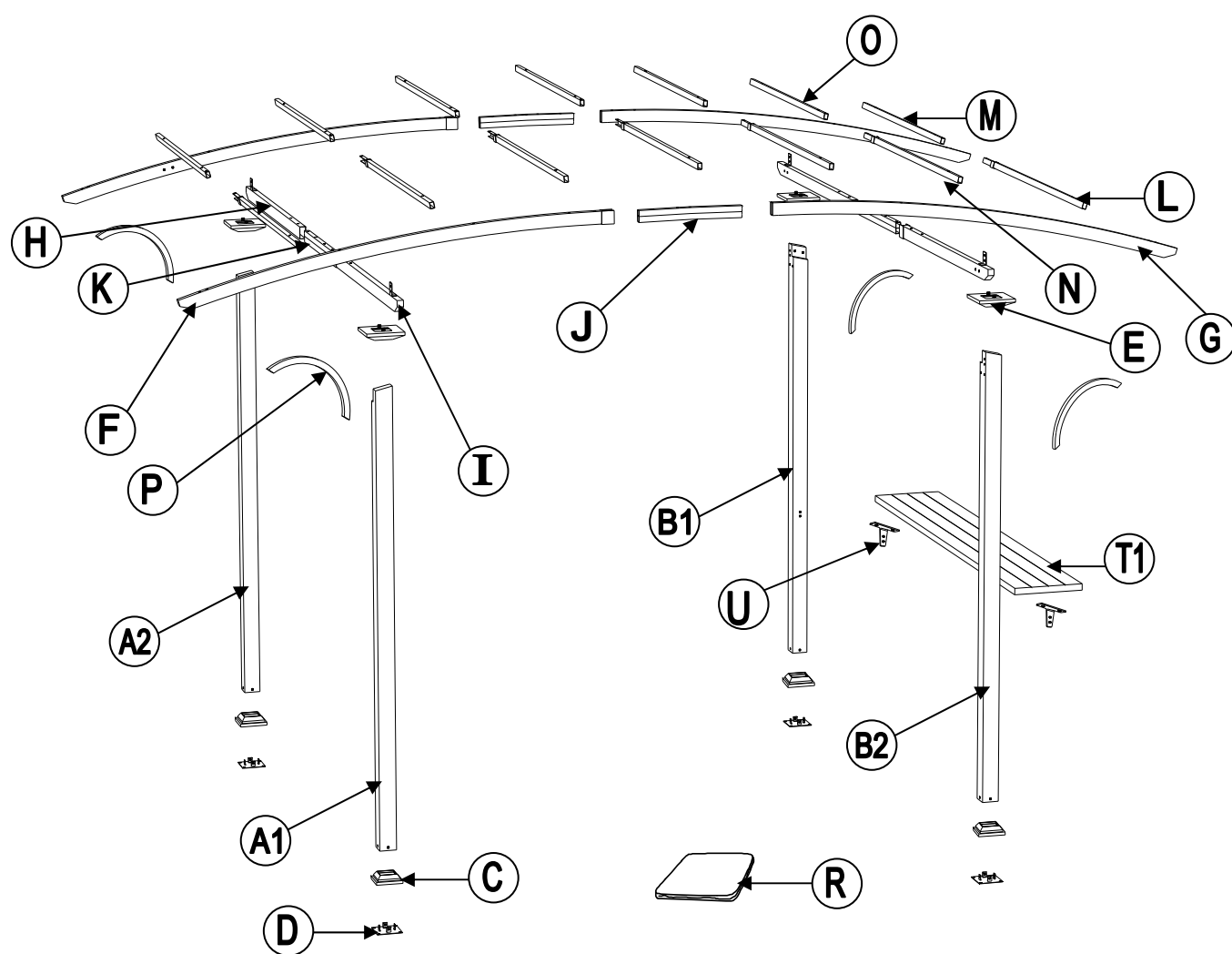
Country of Origin: China

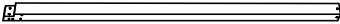
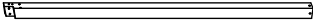
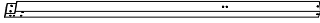
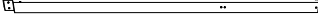
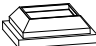

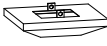


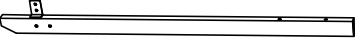
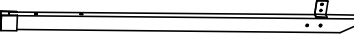


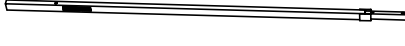
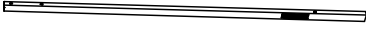


**TOOLS NEEDED****IMPORTANT**

**How many people needed for the installation work**







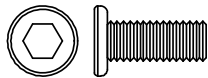
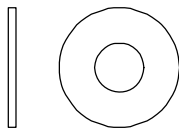
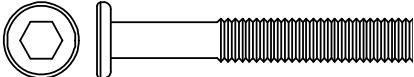
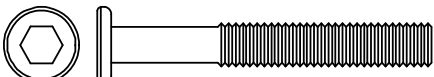
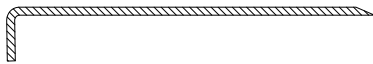

Country of Origin: China

**EXPLODED DRAWING**

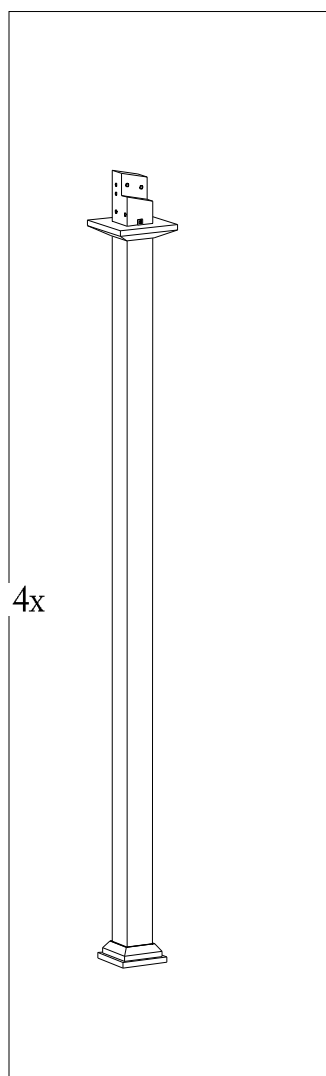
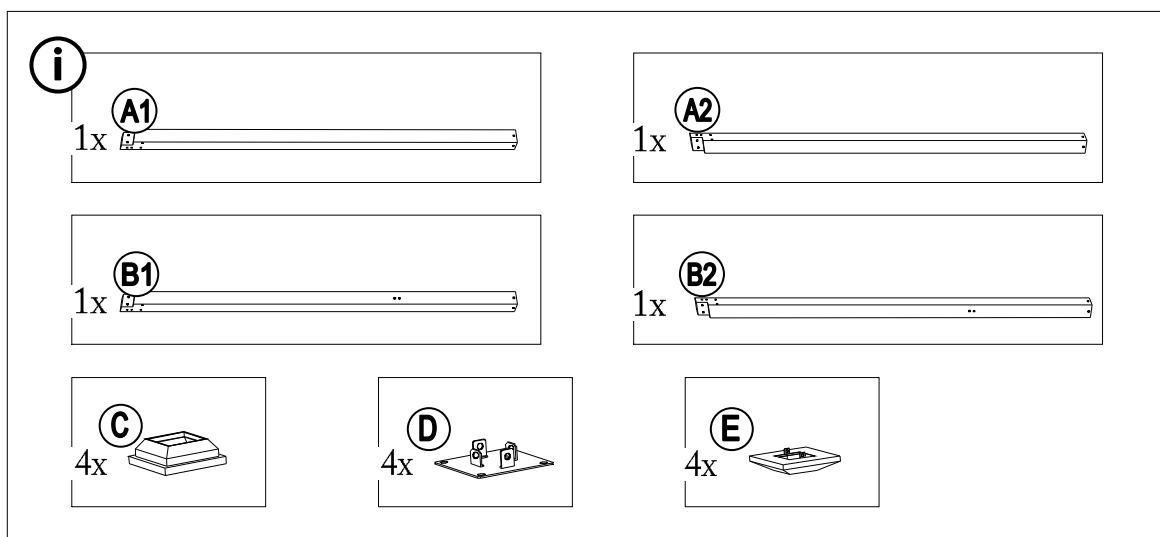
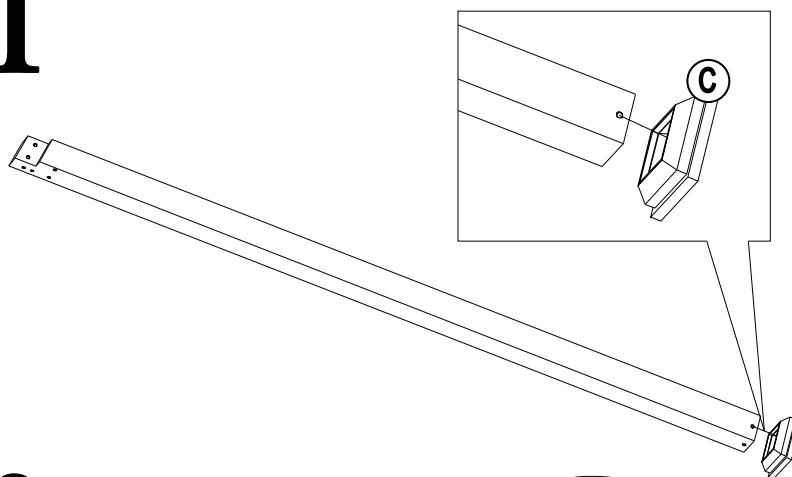
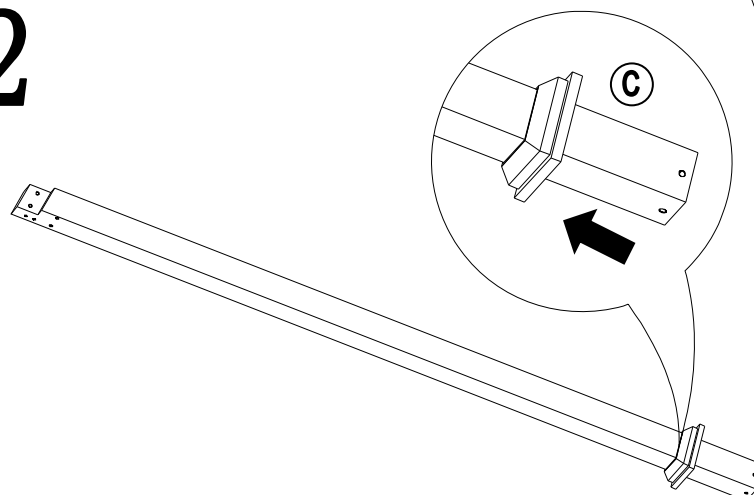
Parts List				
Label	Part Number	Description	Qty	Part Image
A1	P000200483	Post 1	1	
A2	P000200484	Post 2	1	
B1	P000200485	Post 3	1	
B2	P000200486	Post 4	1	
C	P006100181	Base Cover	4	
D	P000100344	Base	4	
E	P005600321	Post Decoration	4	
F	P000400932	Arc Beam1	2	
G	P000400933	Arc Beam2	2	
H	P000400934	Short side beam	2	
I	P000400935	Long side beam	2	
J	P000501243	Arc Beam Connector	2	
K	P000501244	Beam Connector	2	
L	P000601442	Side Small Beam1	2	
M	P000601444	Side Small Beam2	2	
N	P000601443	Middle Small Beam1	5	
O	P000601445	Middle Small Beam2	5	

Country of Origin: China

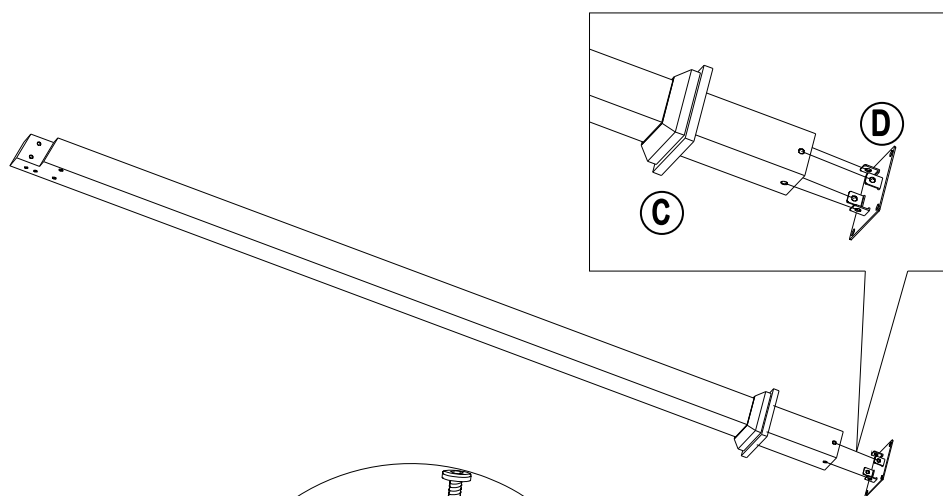
P	P005000433	Arc Support Bar	4	
R	P001100576	Canopy	1	
T1	P002100352	table top	1	
U	P000501245	Connector for top	2	

Hardware Pack					
Label	Part Number	Description	Qty	Add	Part Image
AA	H010030030	Bolt M6*15	74	4	
BB	H050010023	Flat washer M6	120	6	
CC	H010030035	Bolt M6*40	24	2	
EE	H010030036	Bolt M6*45	22	2	
GG	H070010001	Stake Φ6*230	8	0	
Z1	H090030003	Wrench M6	1	0	

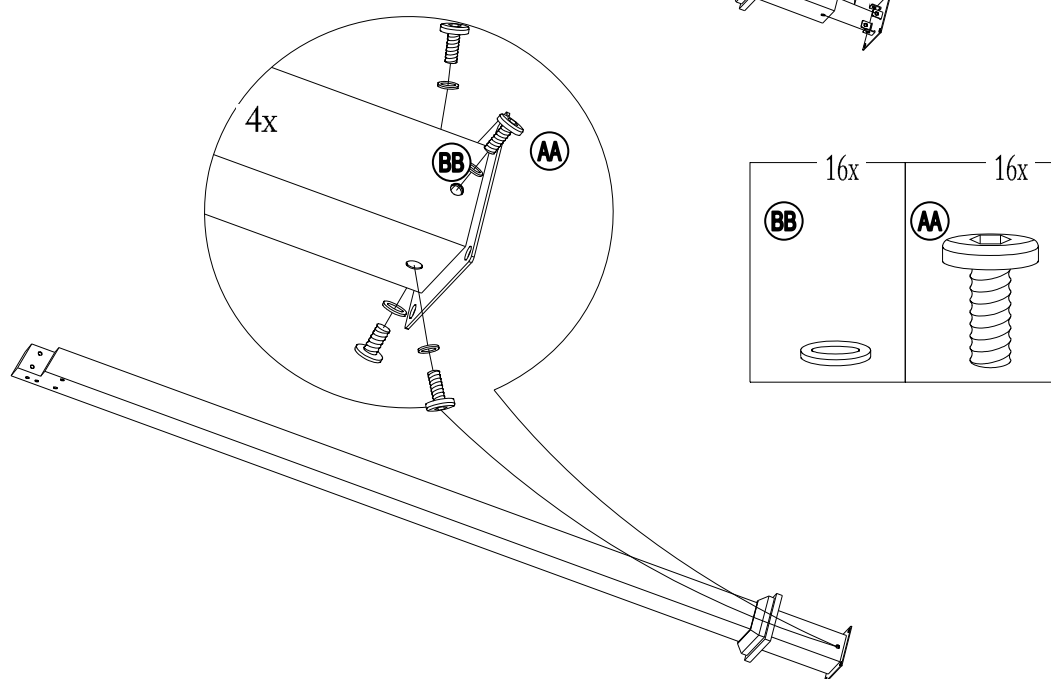
Country of Origin: China

**1****2**

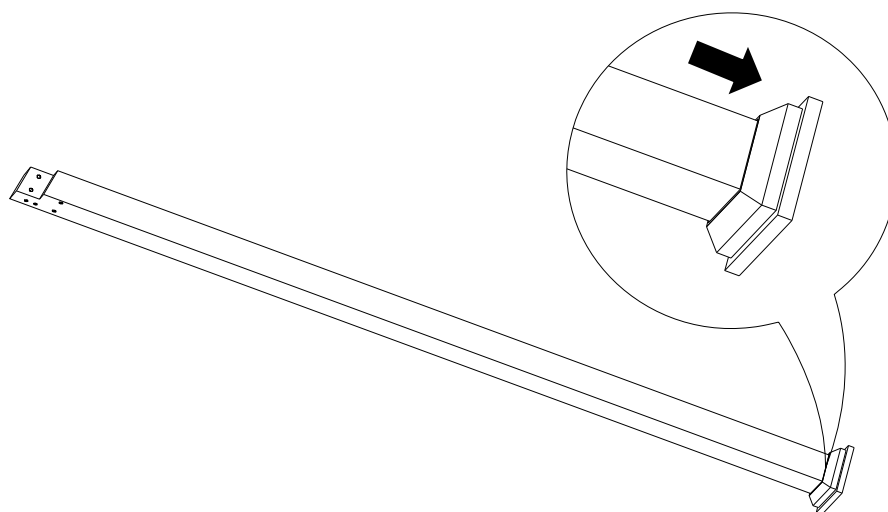
3



4

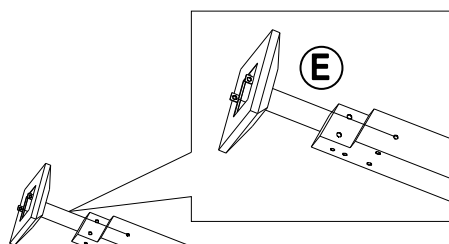


5

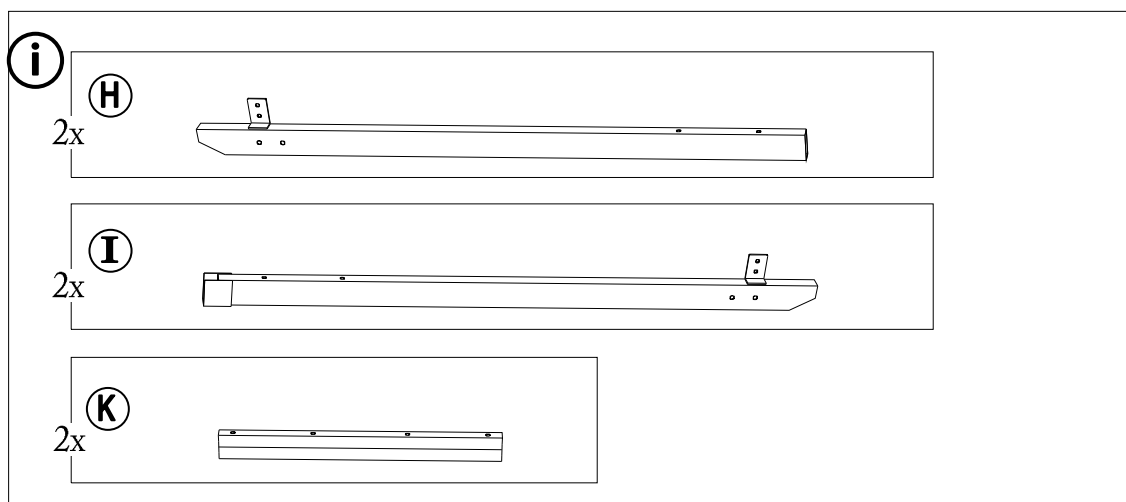
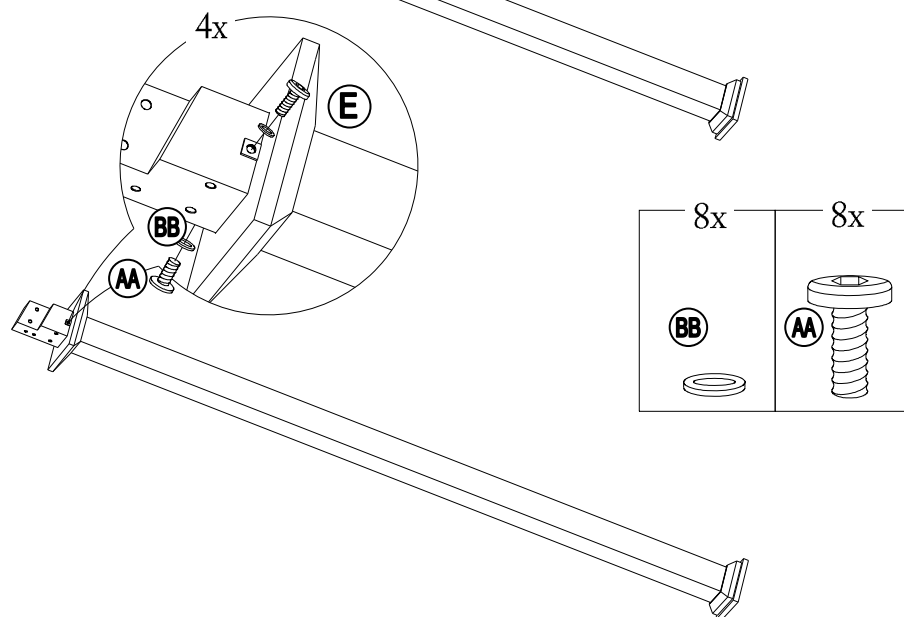


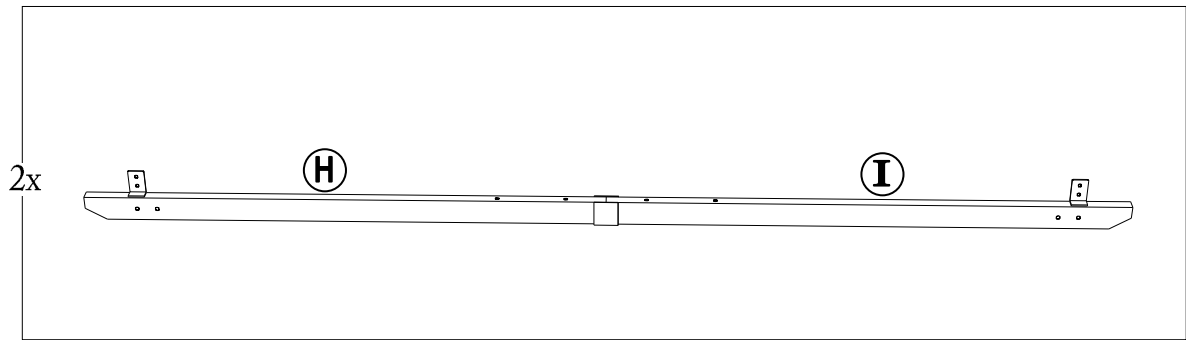


6

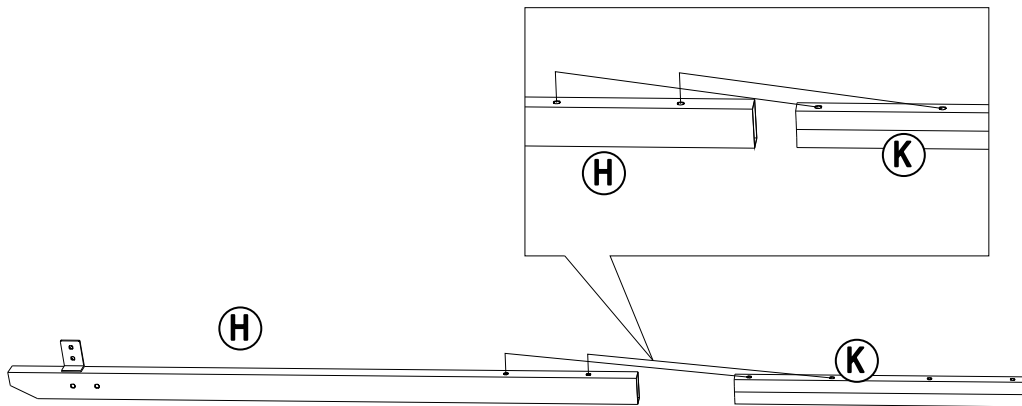


7

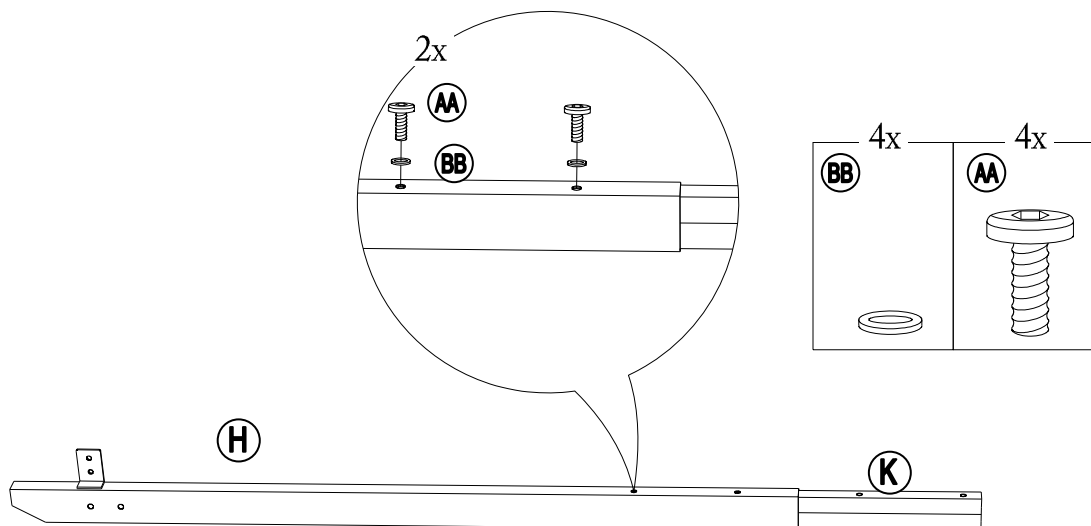




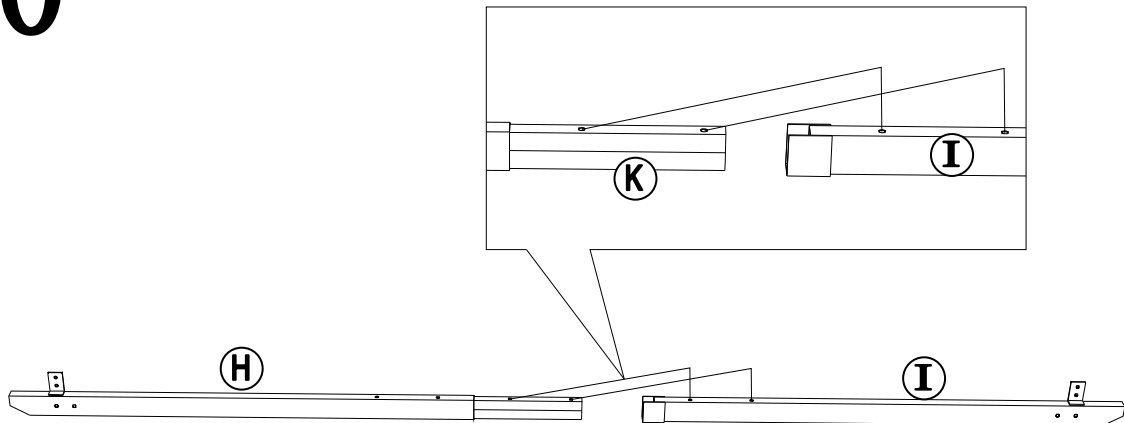
8



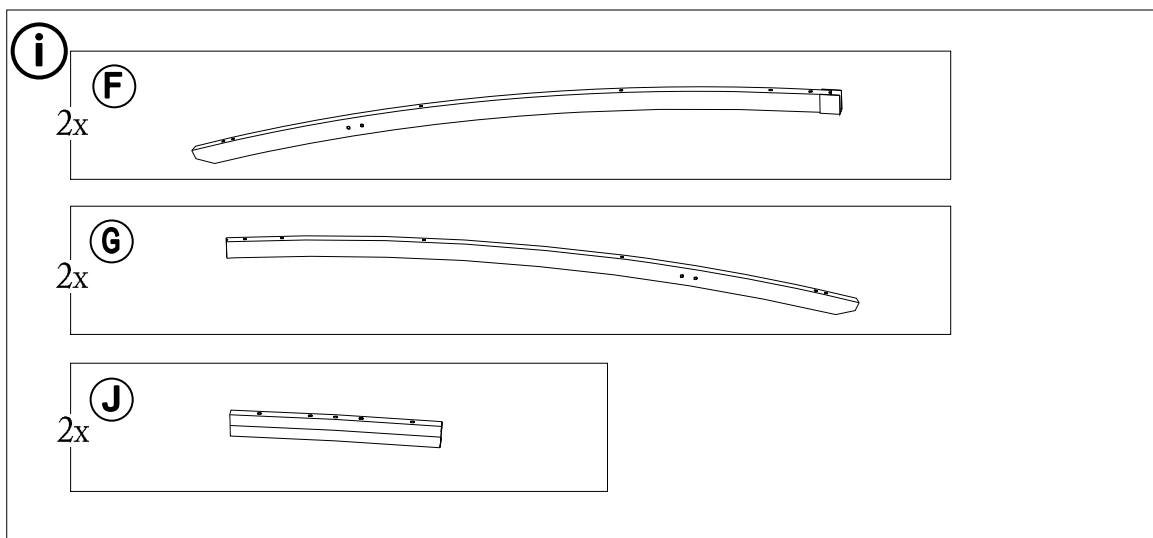
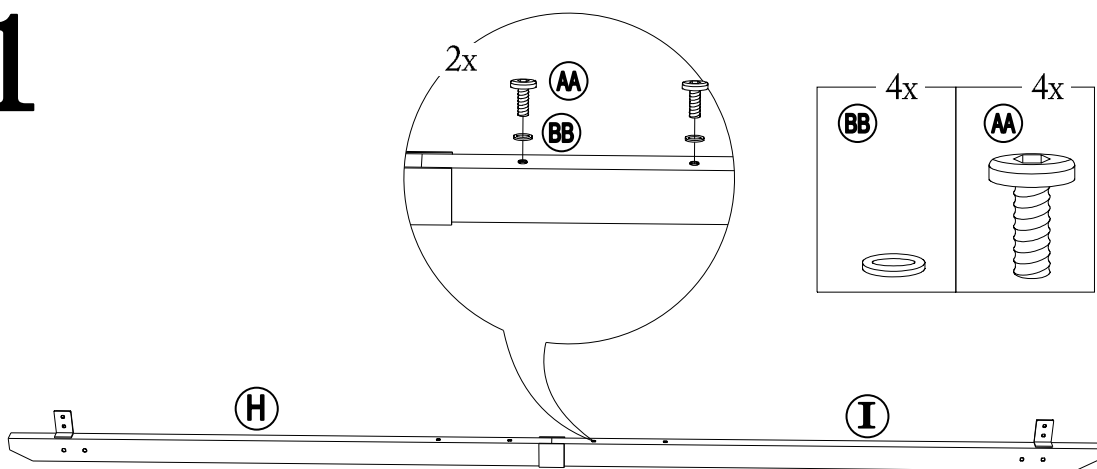
9

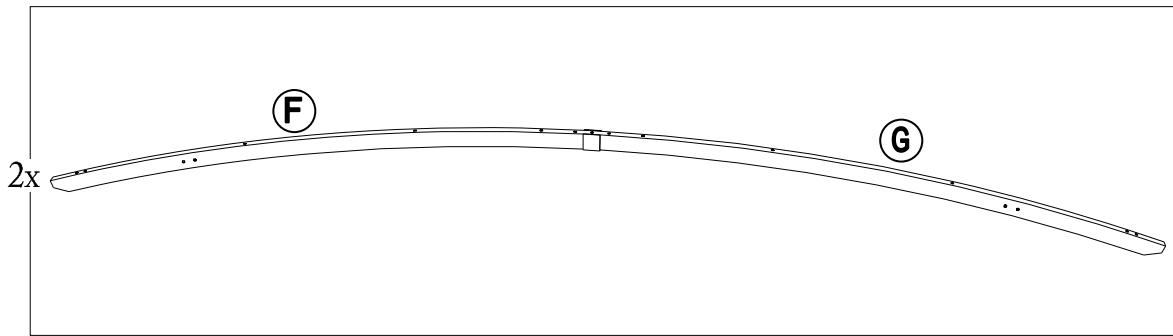


10

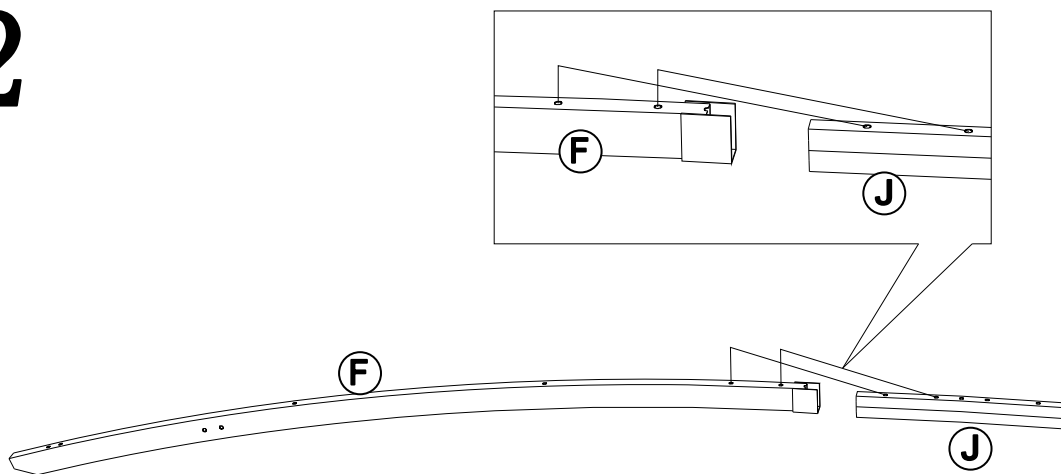


11

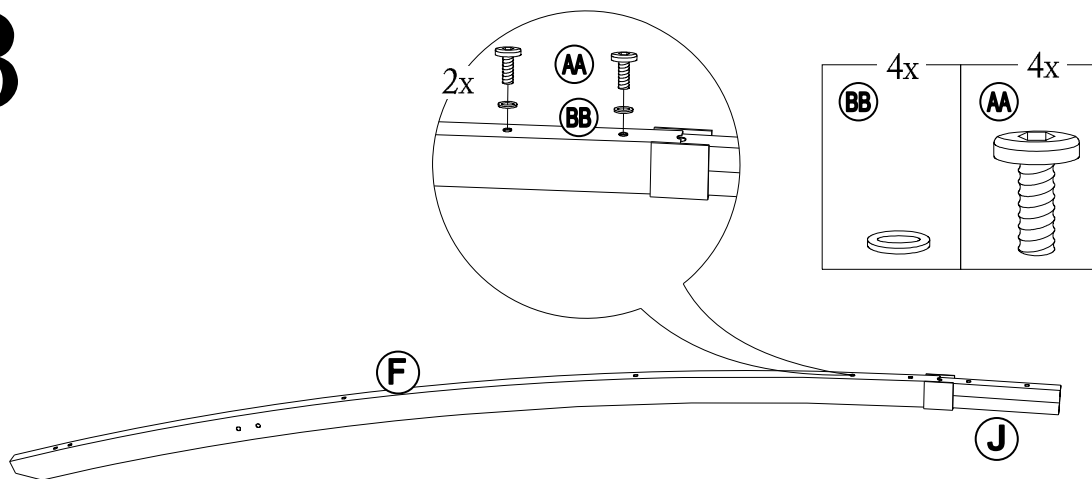




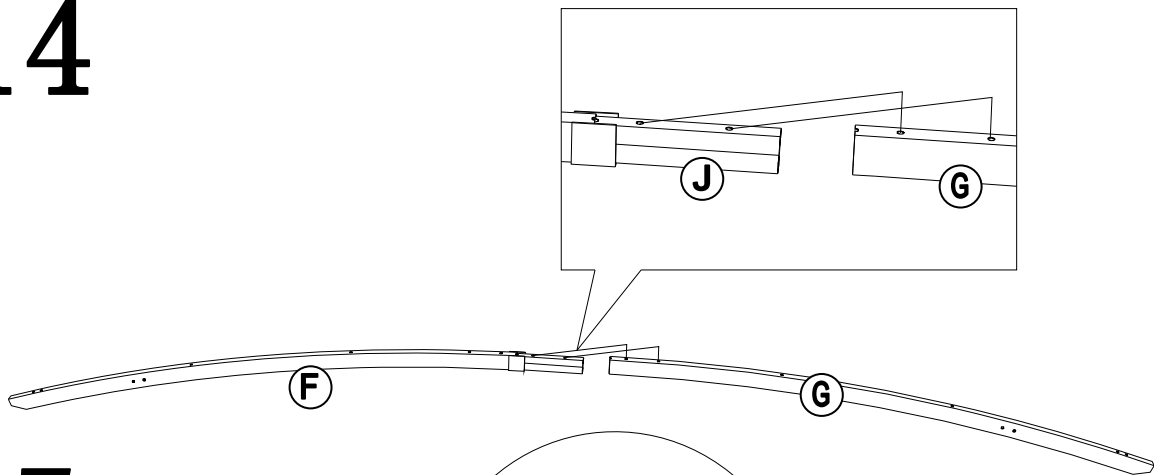
12



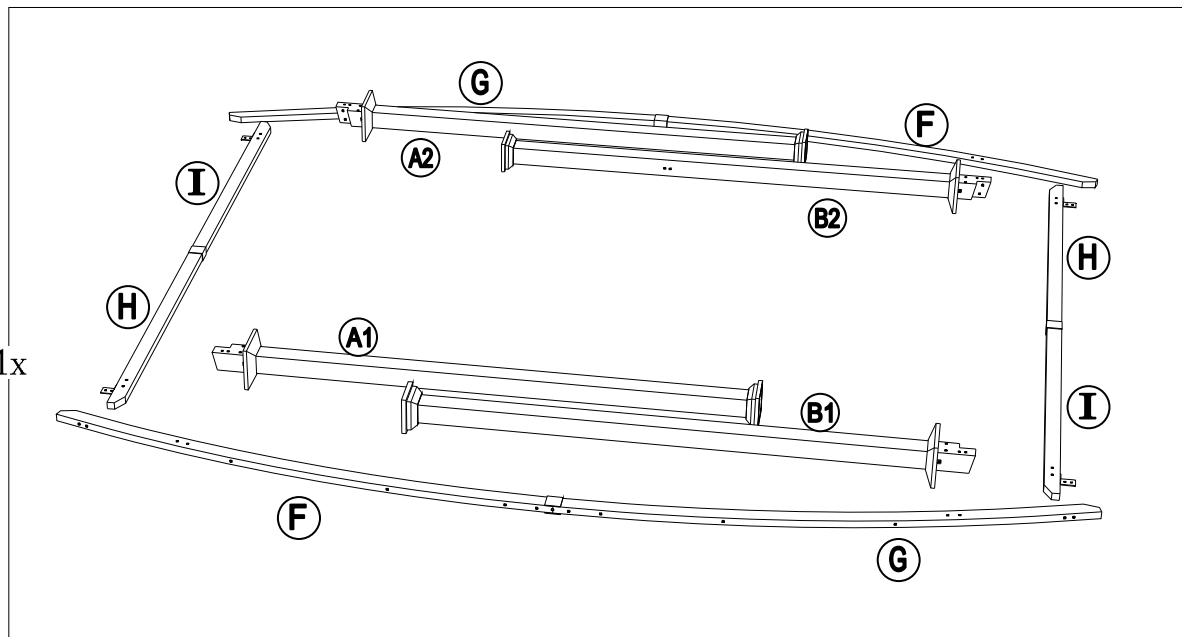
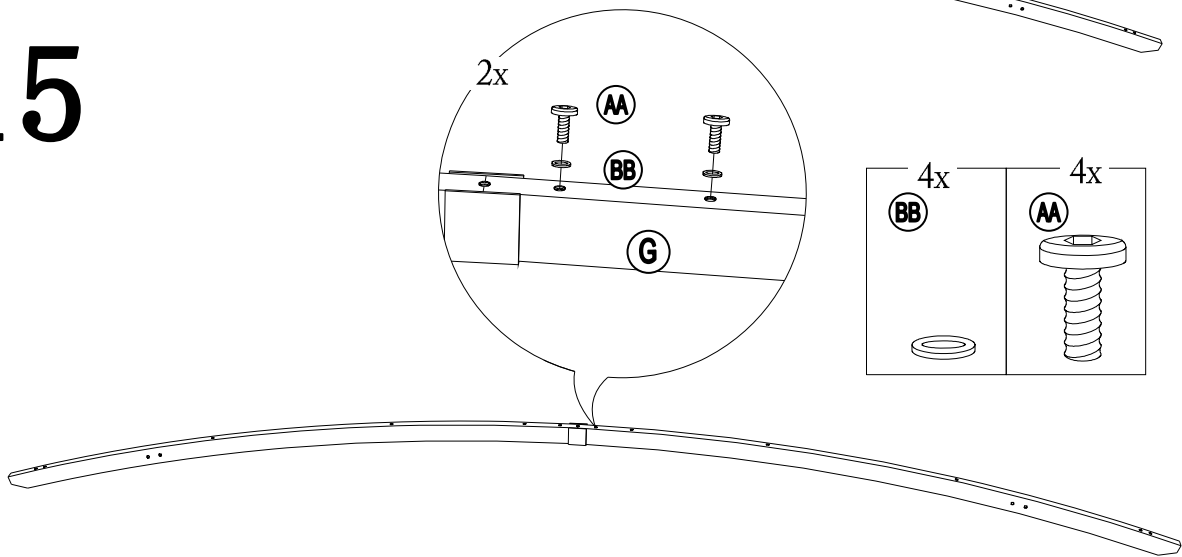
13

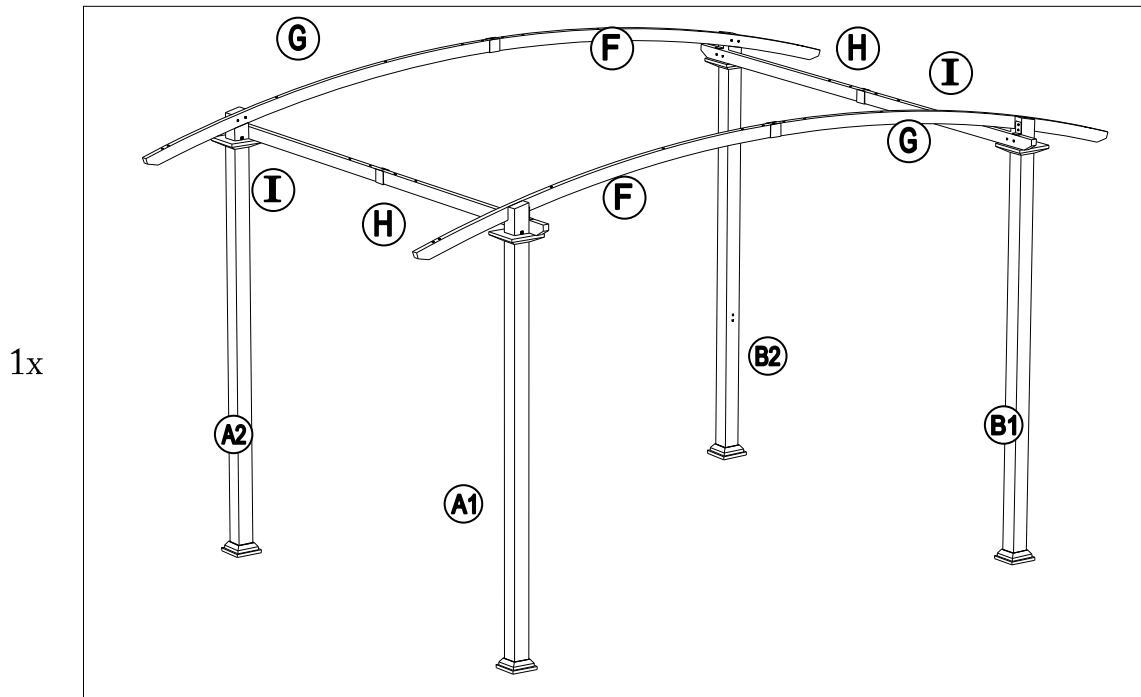


14

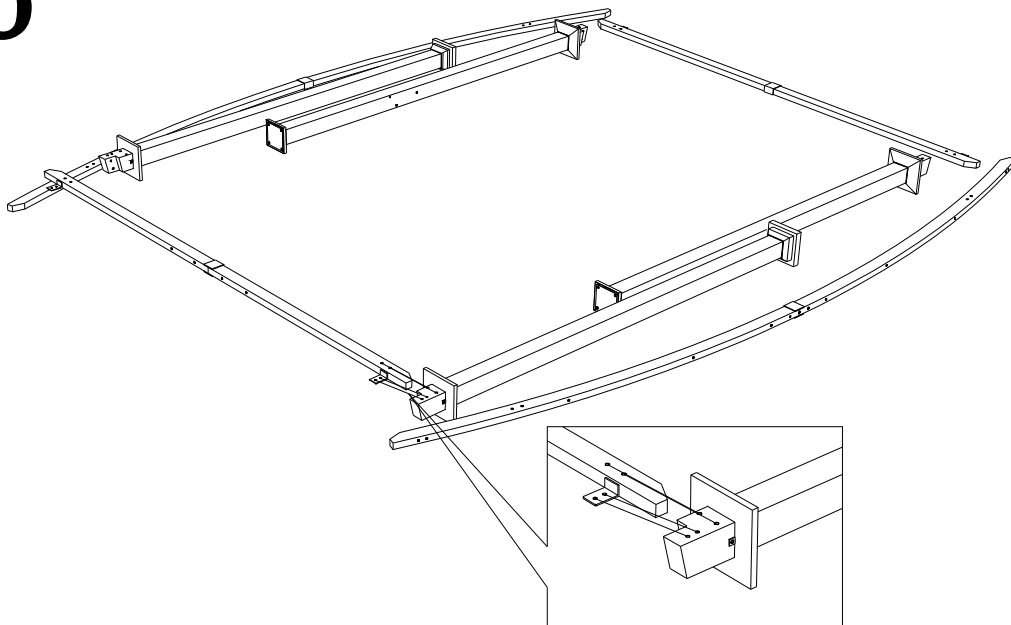


15

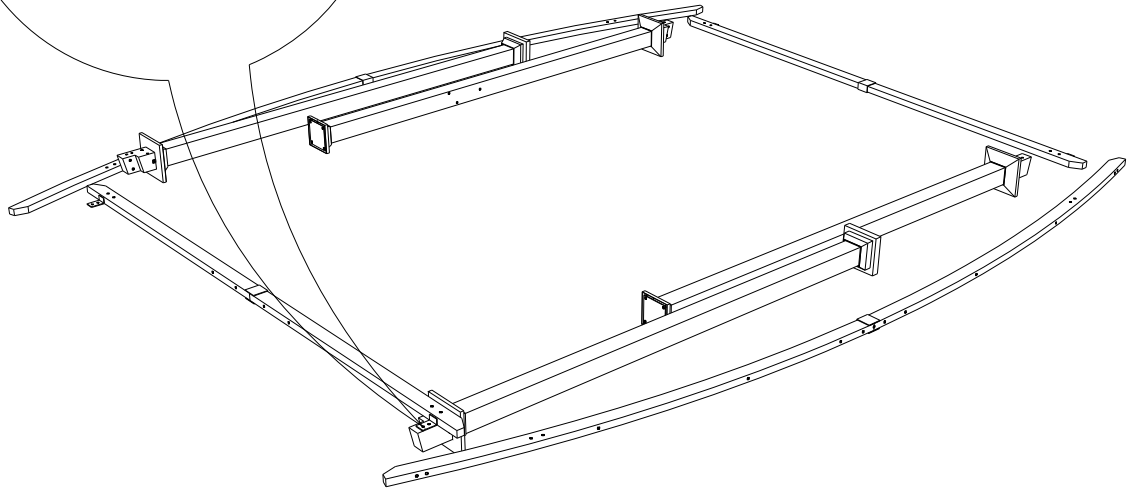
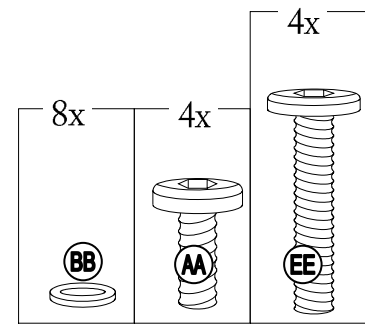
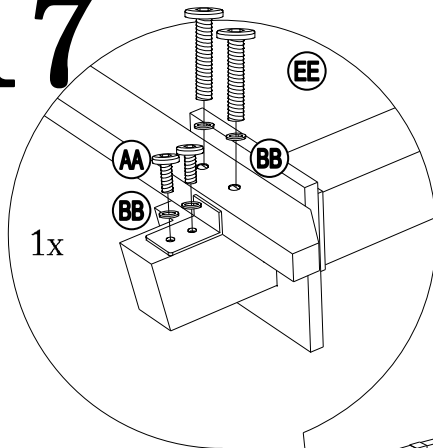




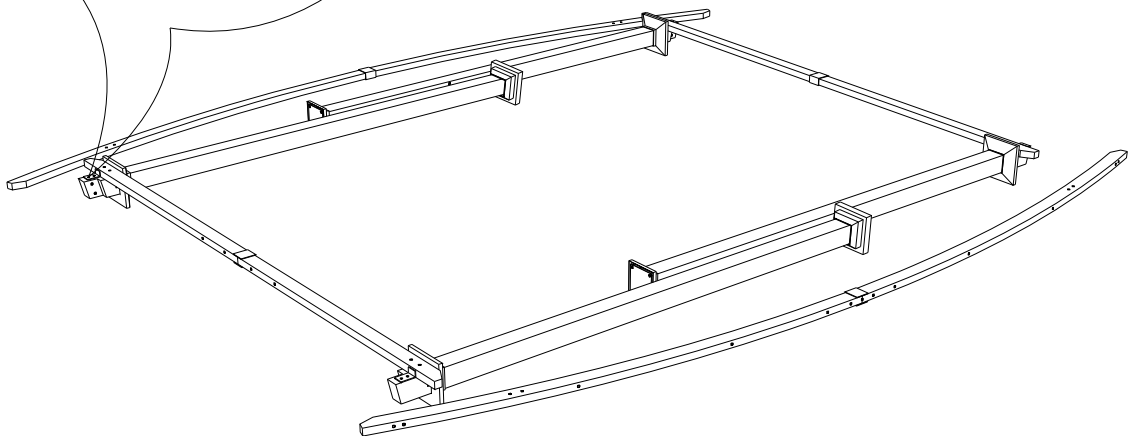
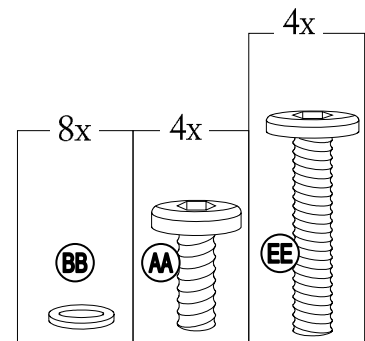
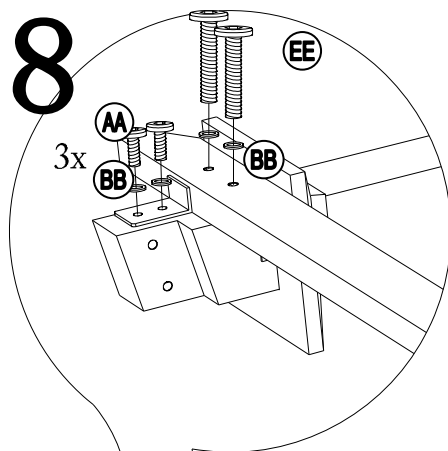
# 16



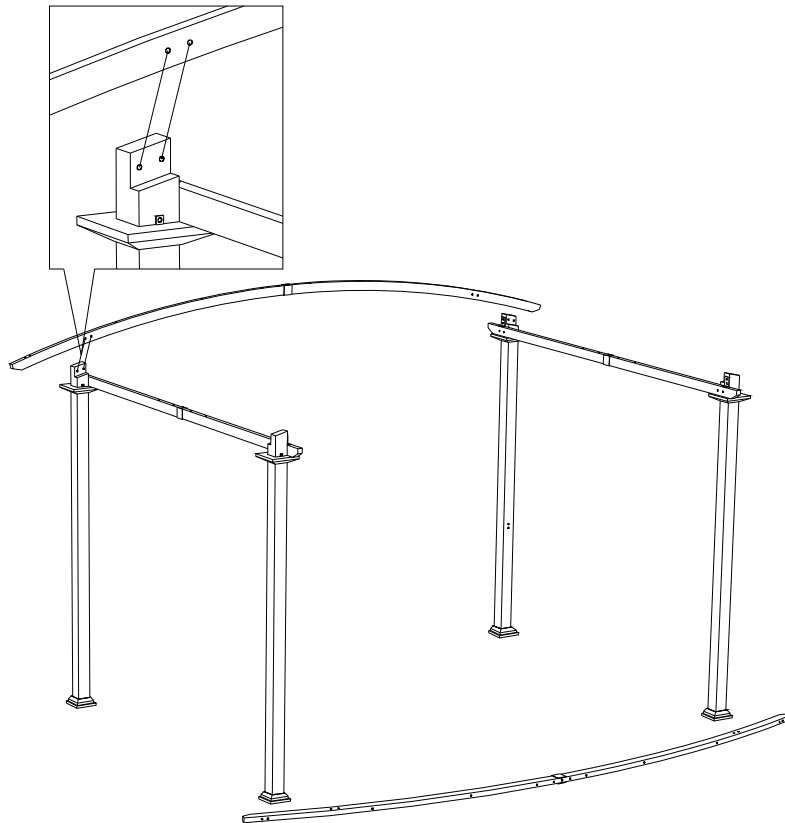
17



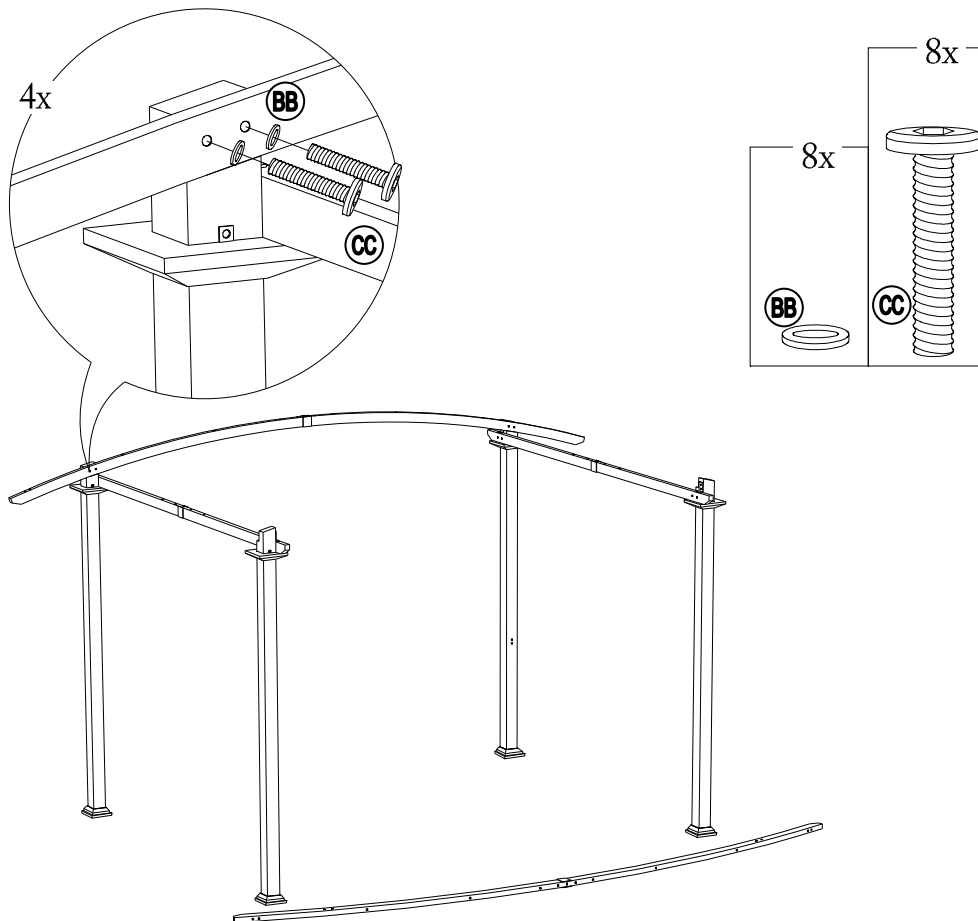
18



19

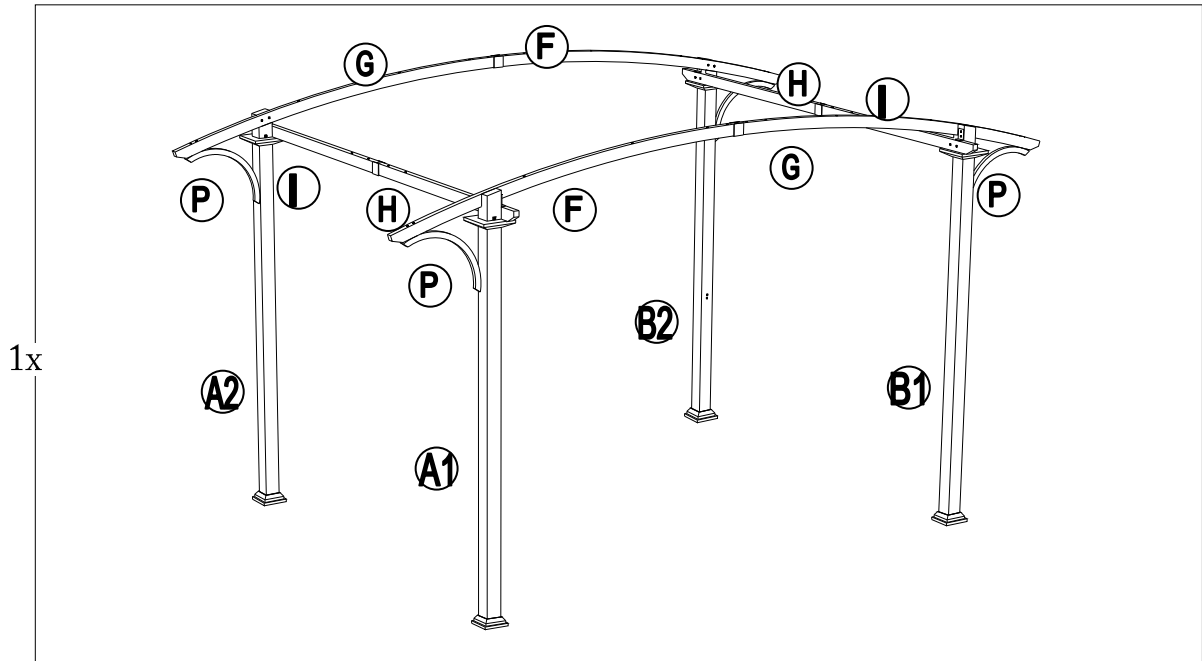


20

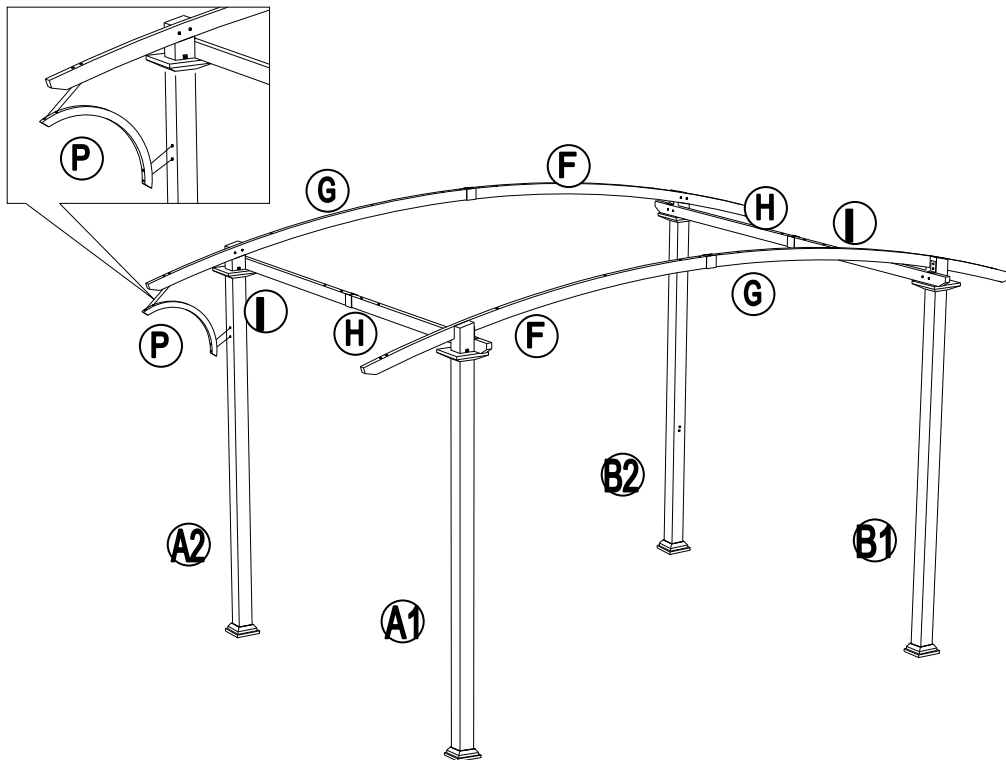


Country of Origin: China

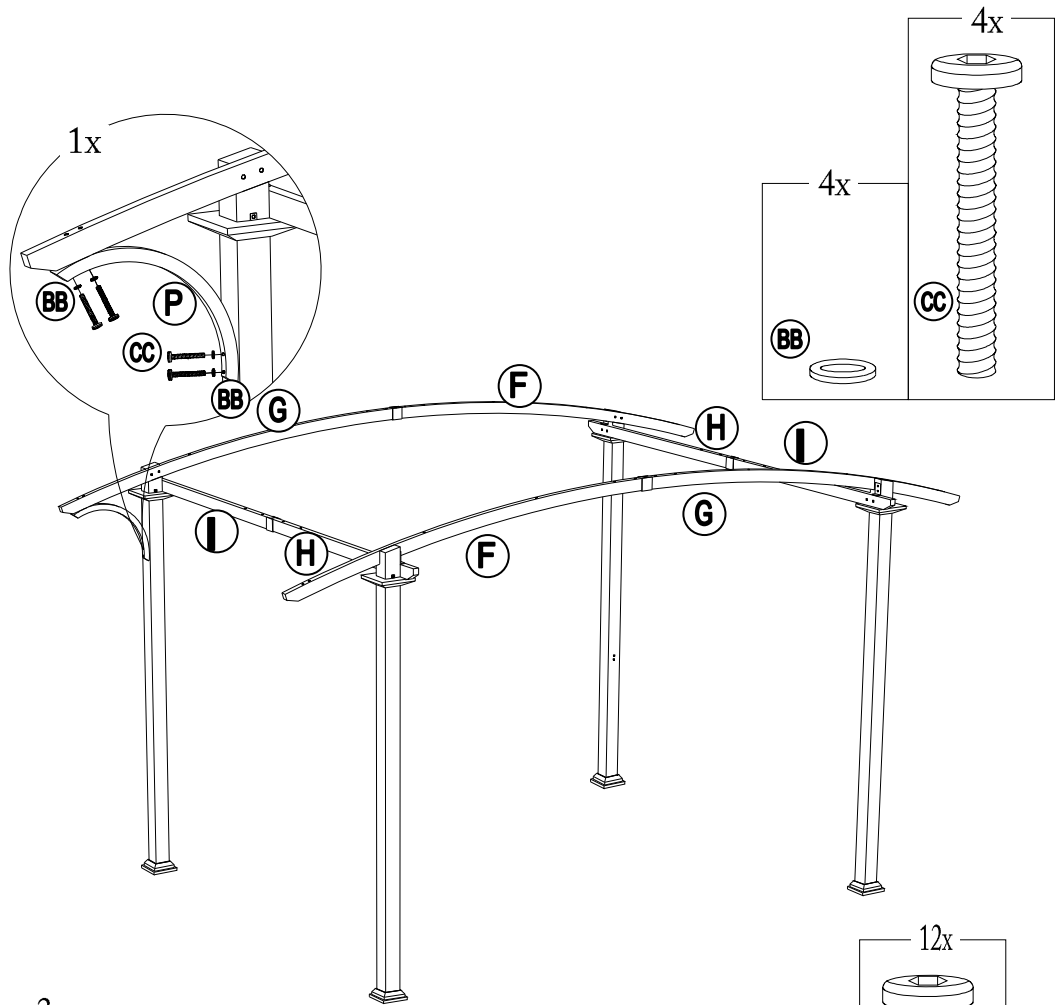




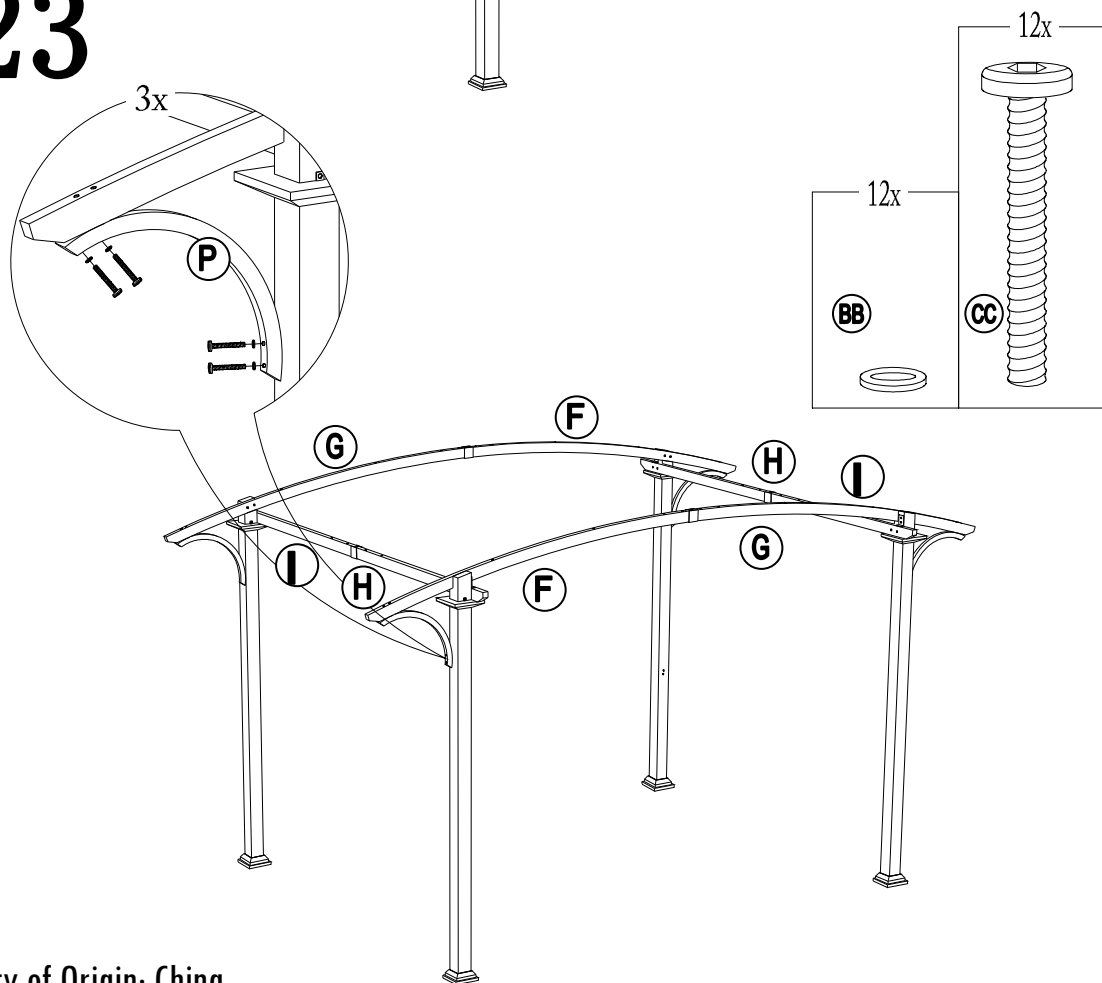
21

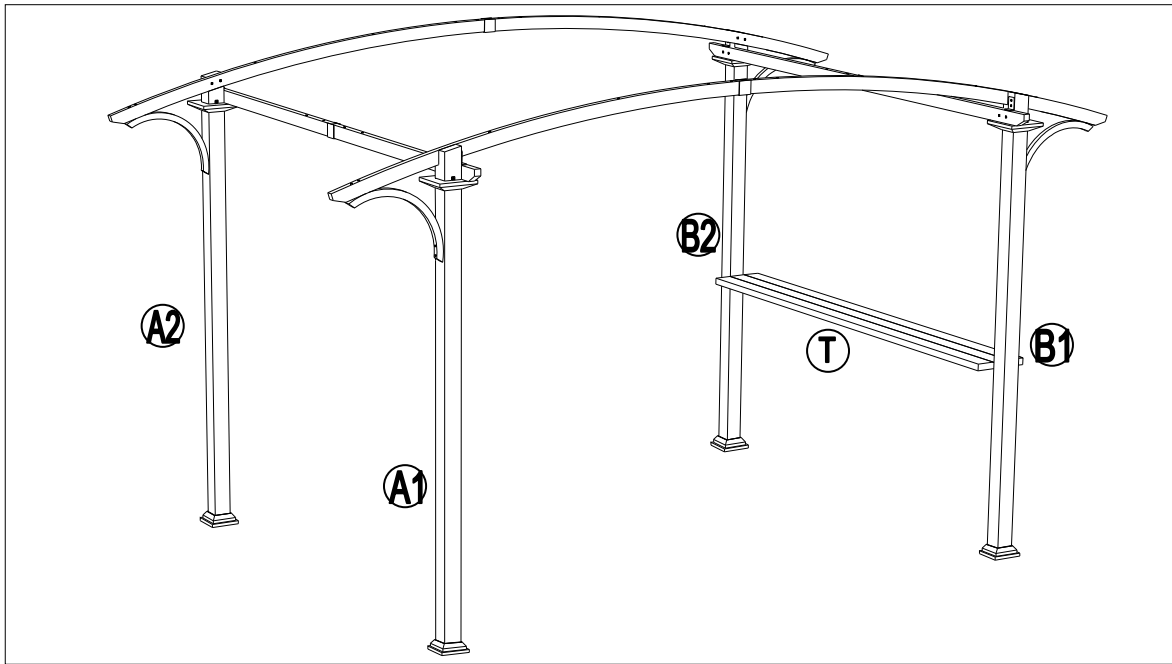
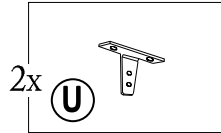
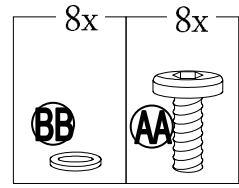
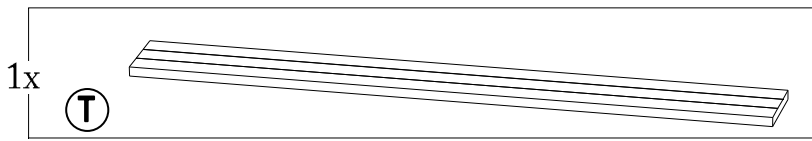


22

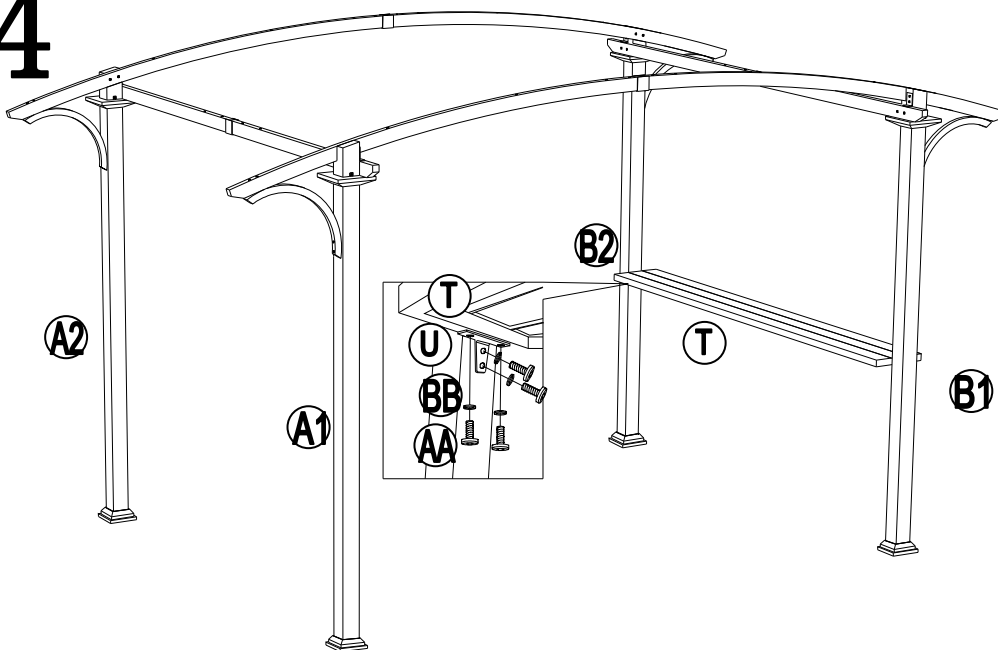


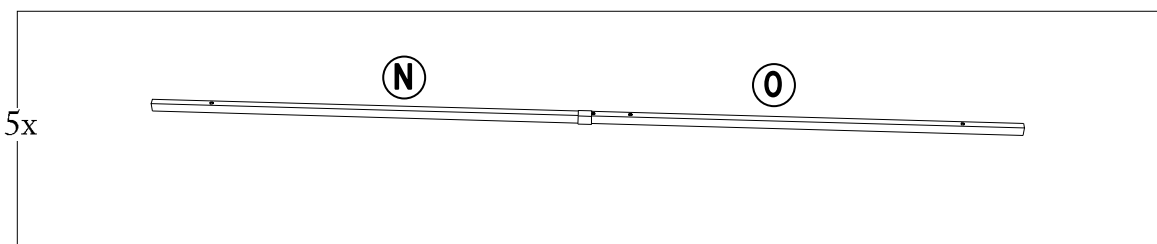
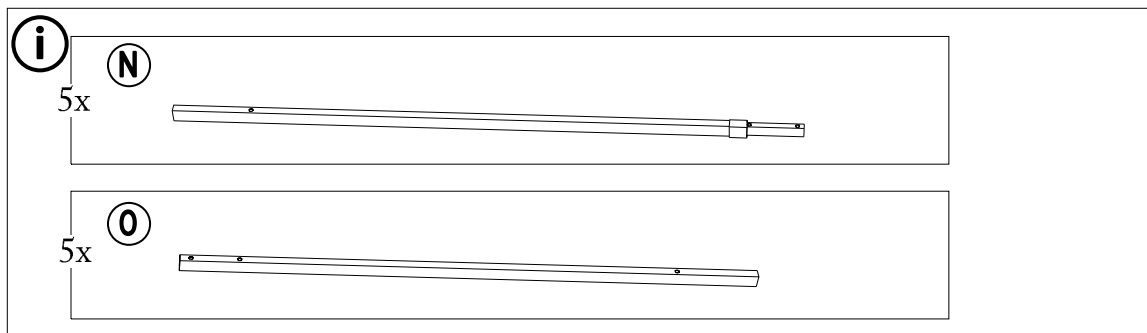
23



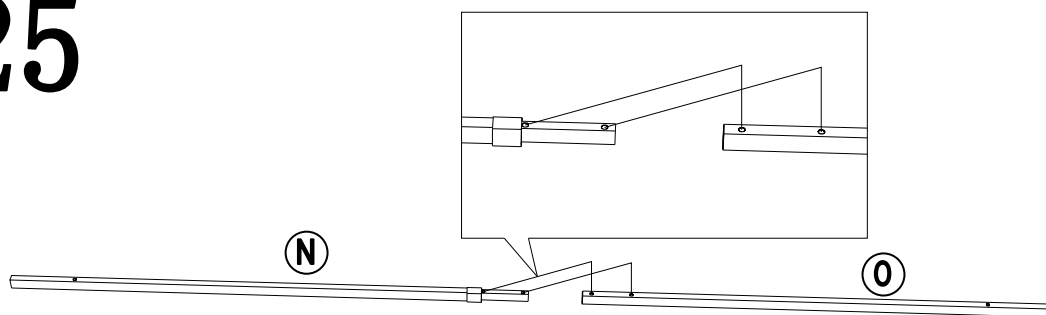


24

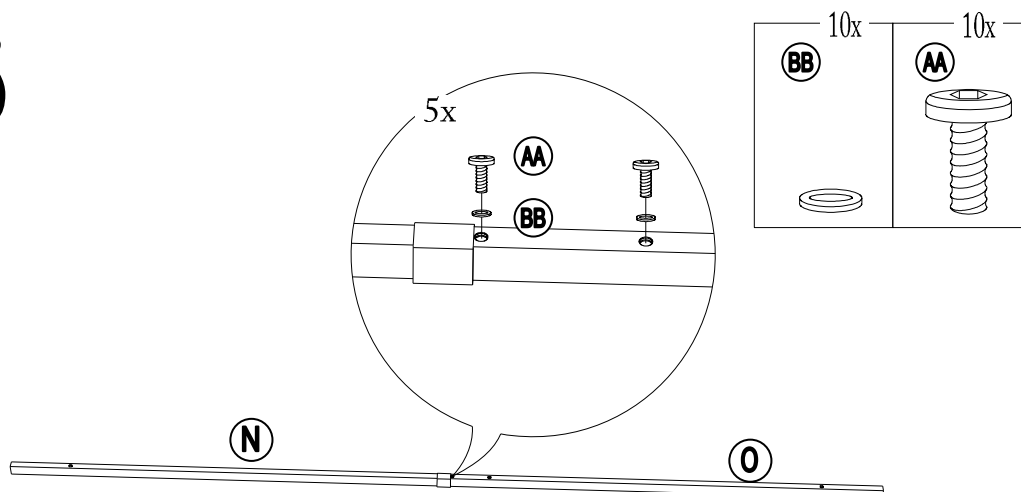


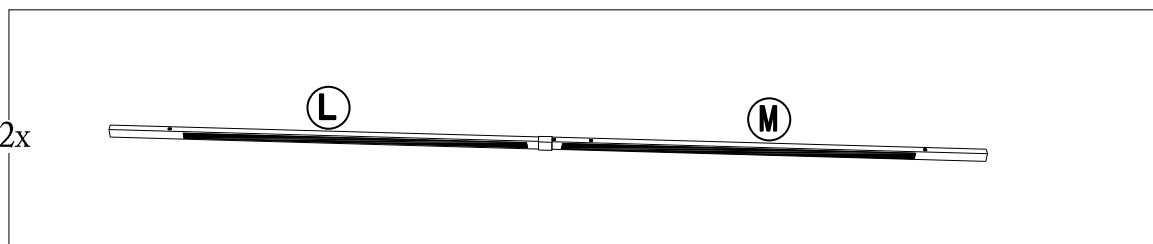
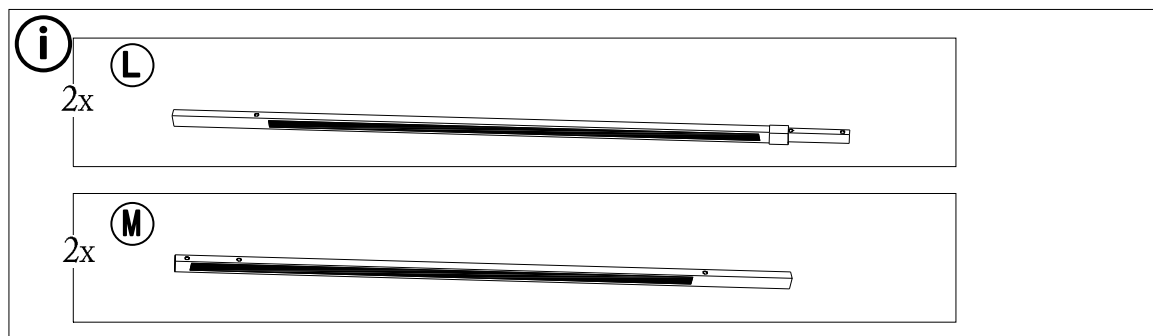


25

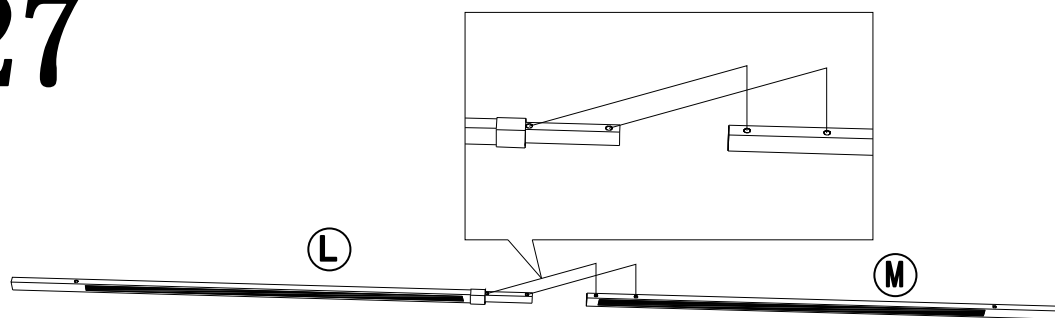


26

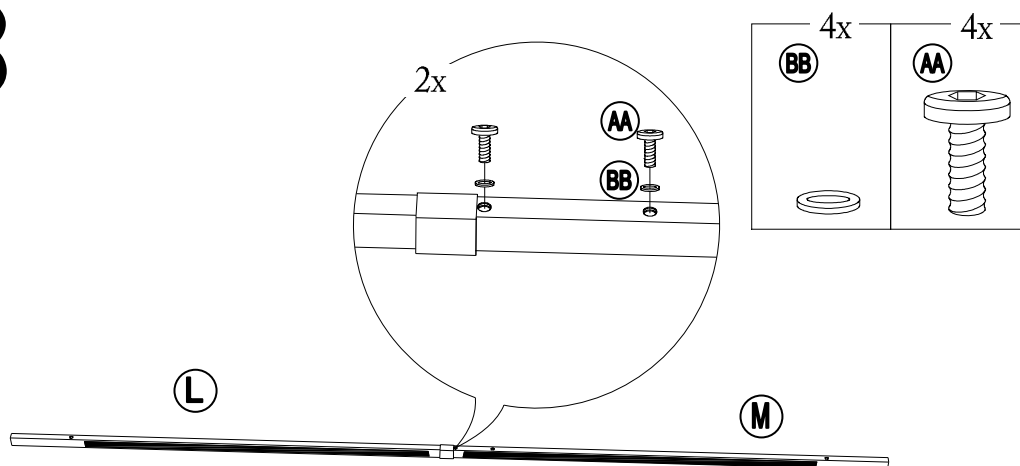


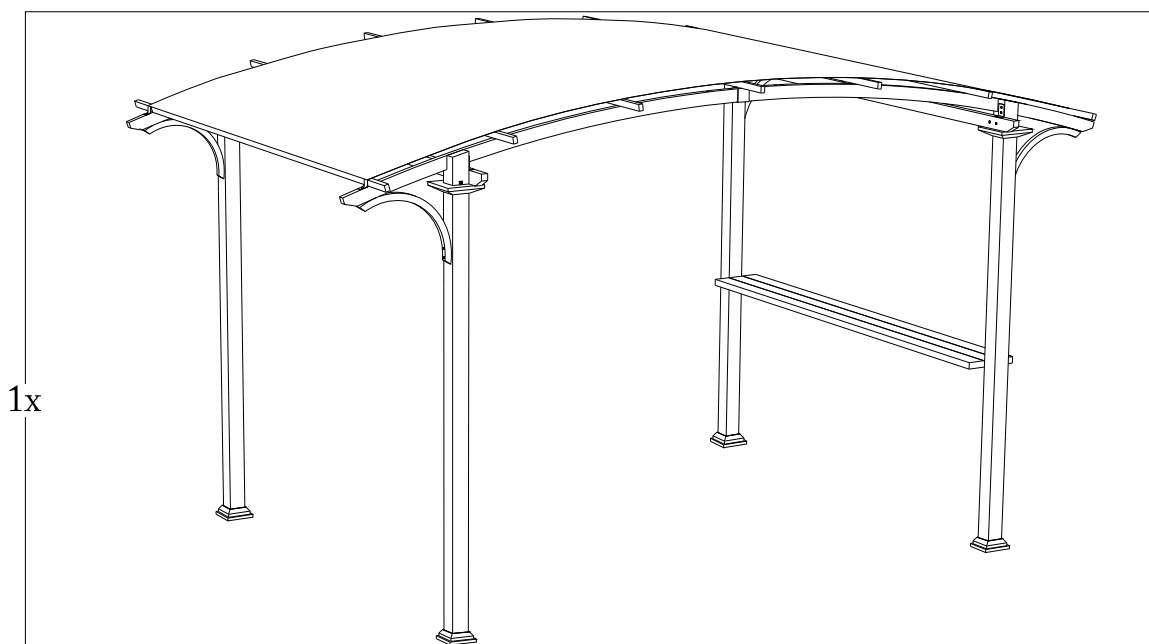
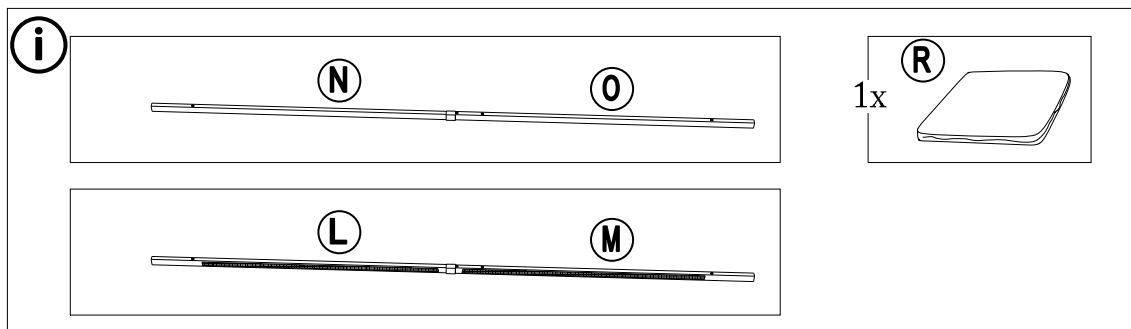


27

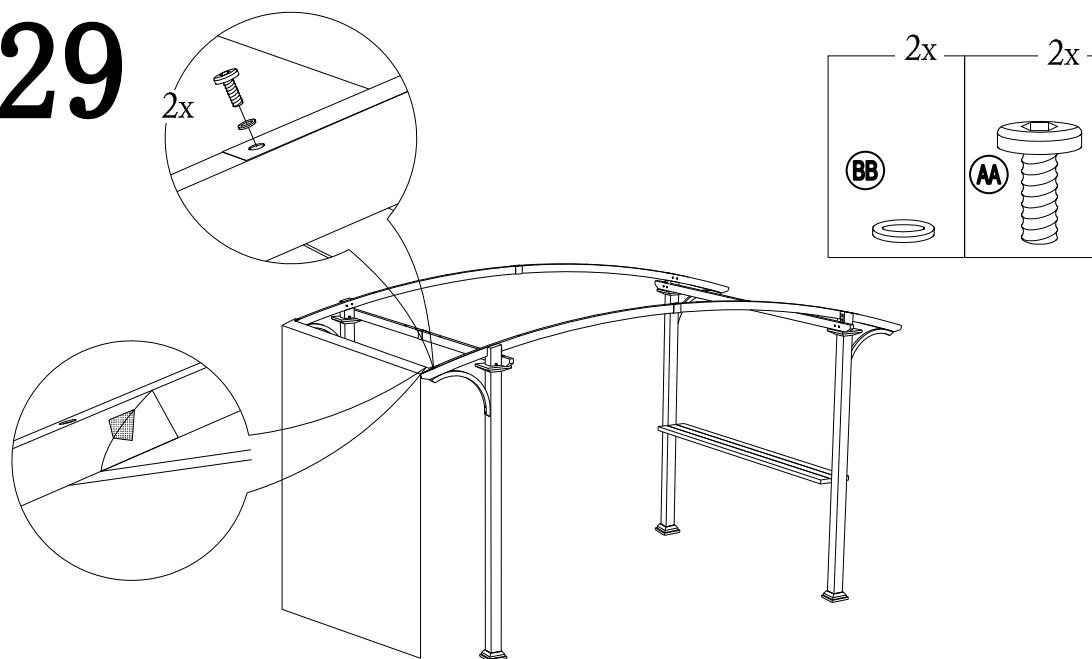


28

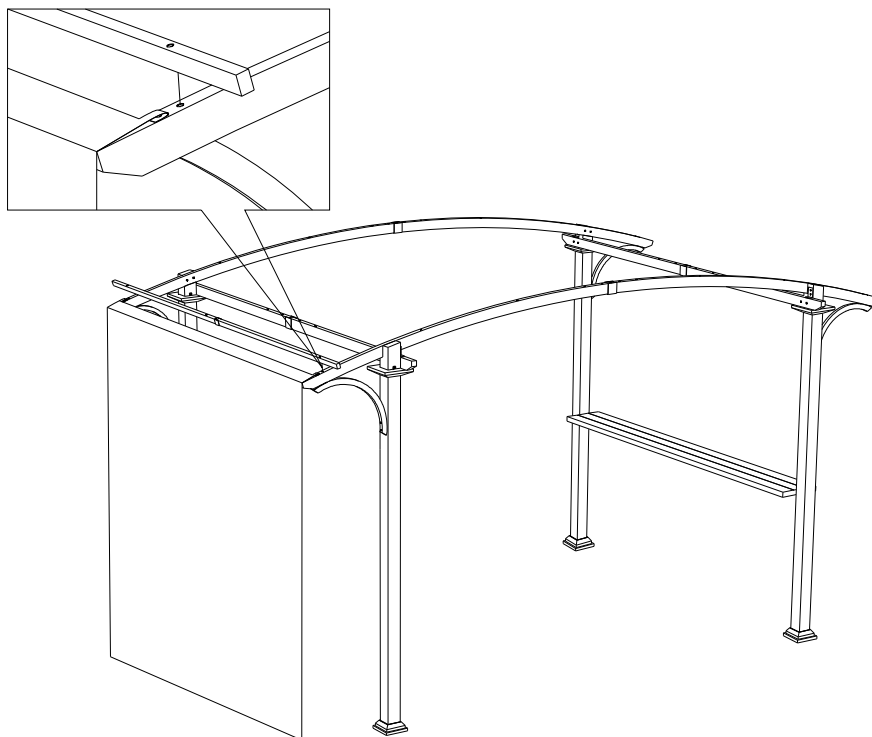




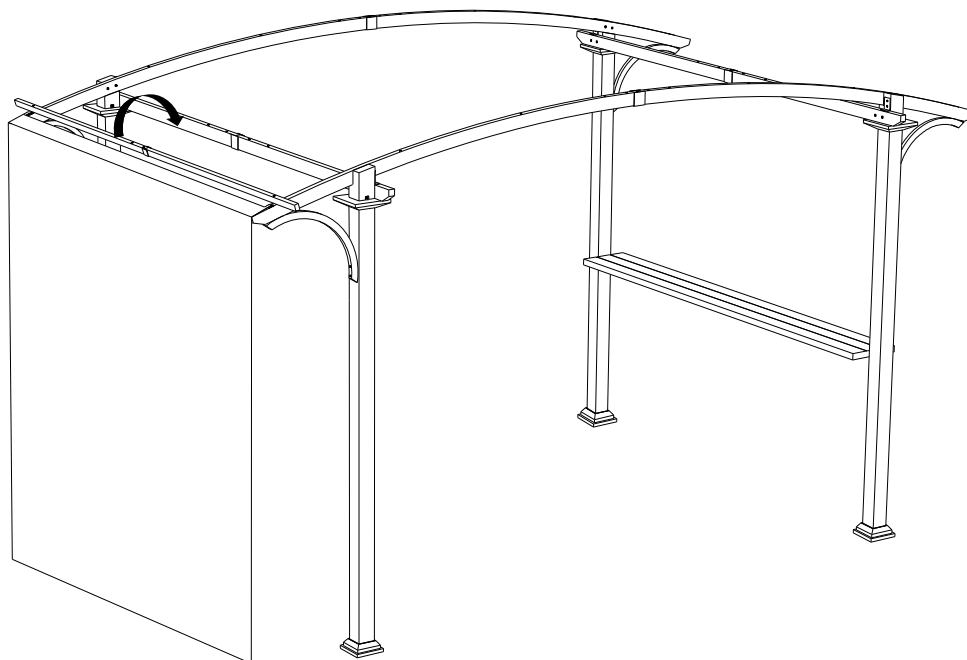
29



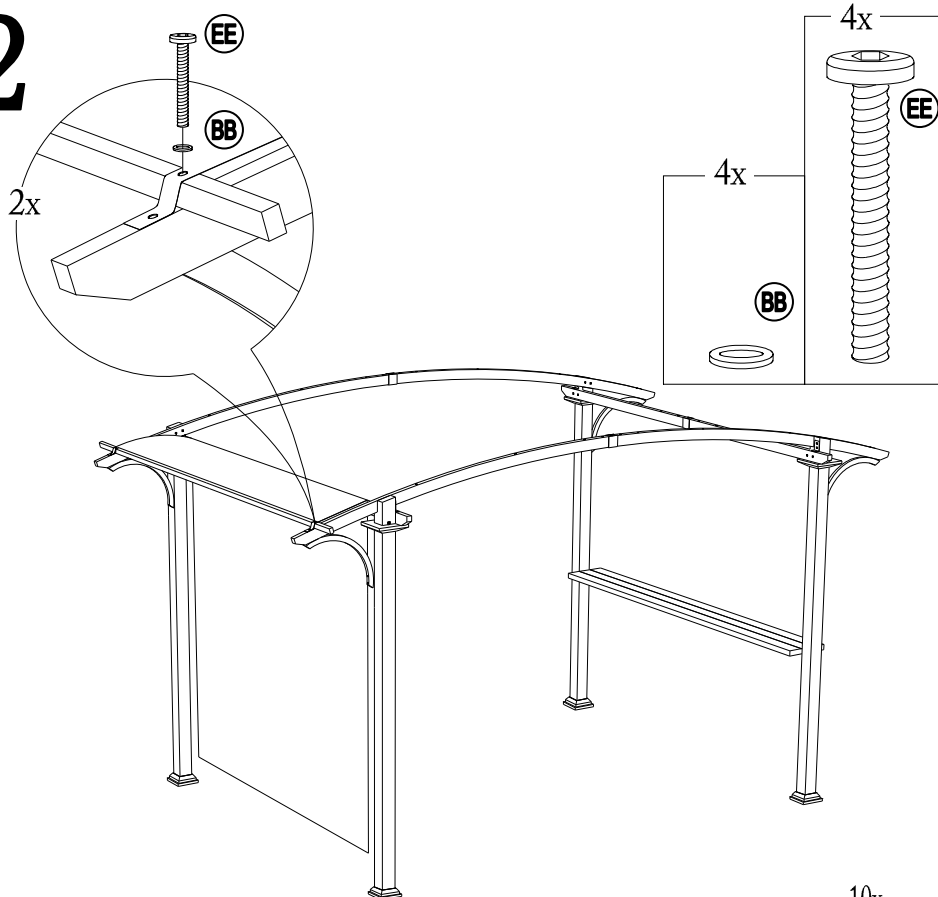
30



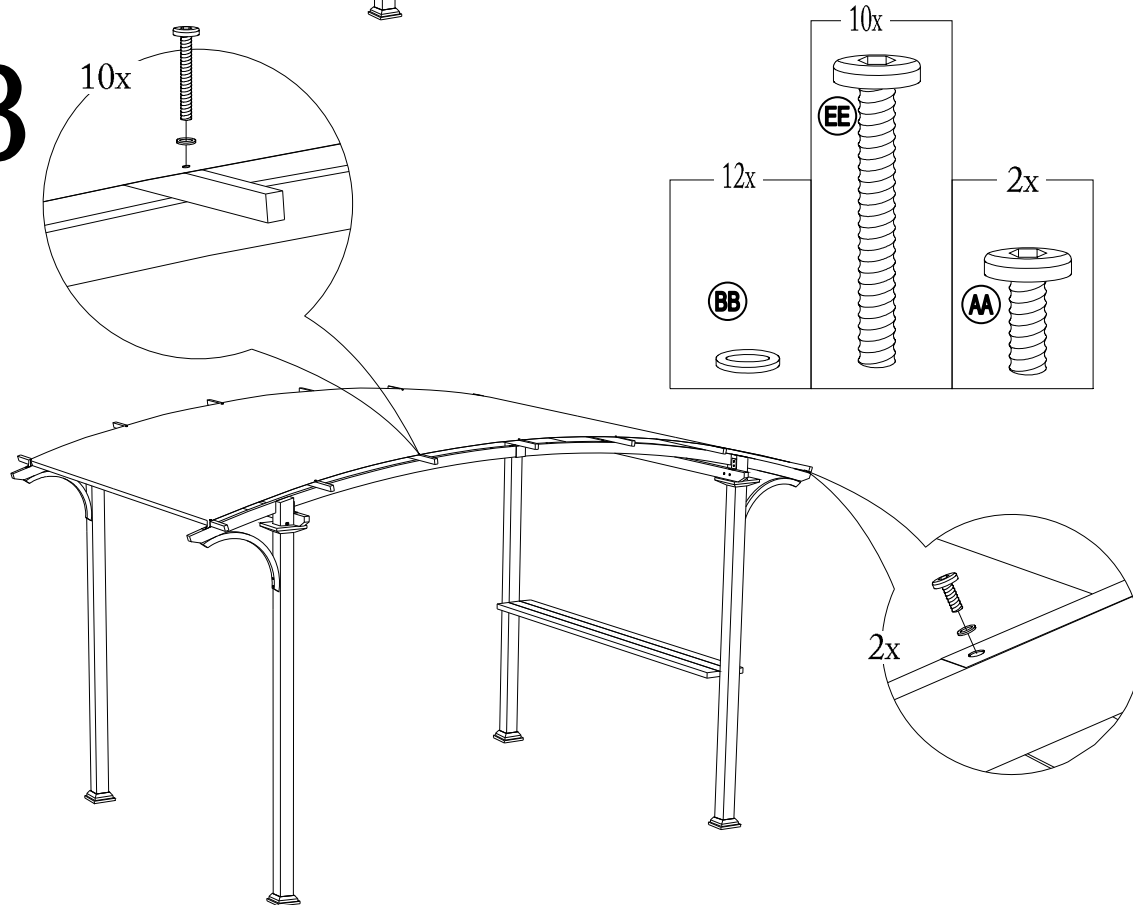
31



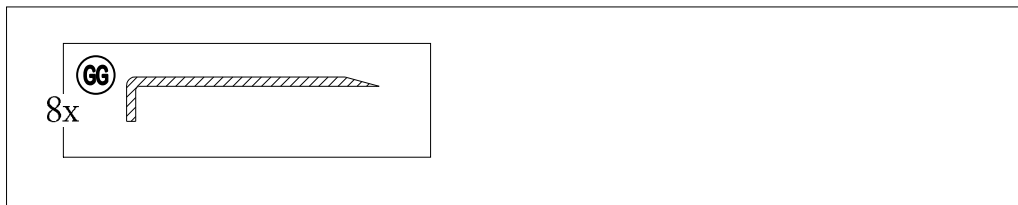
# 32



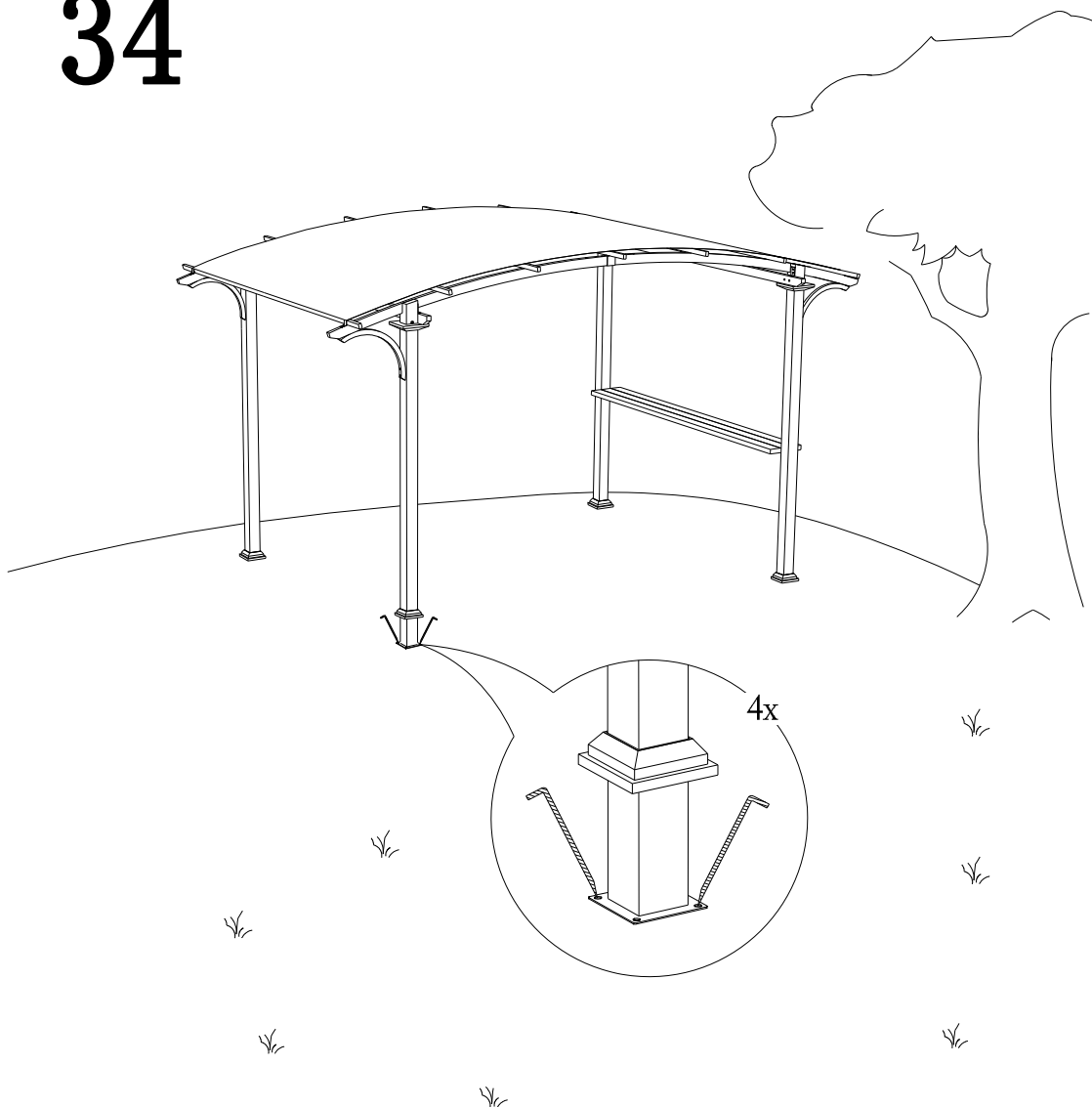
# 33







# 34



## Care and Maintenance

- Our steel components for garden accessories and furniture are treated with rust inhibiting paint that protects it from rusting. However, due to the nature of steel, surface oxidation (rusting) will occur once these protective coatings are scratched. This is not a defect and thus not covered by the warranty.
- To minimize this condition, we recommend care when assembling & handling the product to prevent scratching the paint. Should any scratching or damage occur, we recommend immediate touch-up with rust inhibiting paint.
- Surface rust can also be easily removed with a very light application of common cooking oil. If surface oxidation (rusting) occurs and if no measure is taken to prevent this, the oxidation may start dripping on to deck or patio and caused damaging stains, which may be difficult to remove. This can be prevented if the above-mentioned measures are taken to keep the product from oxidizing.
- Use damp cloth to wipe off the stains as quickly as possible.
- If necessary, wash with a mild solution of soap and water; rinse thoroughly and dry completely.
- Periodically check and ensure that all bolts are well-tighten during use

## Limited Manufacturer's Warranty

Sunjoy Group warrants to the original purchaser that this item is free from defects in workmanship and materials for a period of **1 year** from the date of purchase, provided the item was factory-sealed at the time of purchase and is maintained with care and used only for personal, residential purposes. Should any manufacturing defect arise within this warranty period, Sunjoy Group will replace (at our option) any defective merchandise or parts upon proof of purchase; however, transportation and delivery costs, as well as payments to a third party for assembly or disassembly of the item, remain the responsibility of the purchaser. A purchaser of an "open box," previously-returned, or "clearance" item, as well as original purchasers outside of the warranty period, may obtain replacement parts from Sunjoy Group for products in current production, at nominal cost.

## Exclusions:

Items used for commercial, contract, or other non-residential purposes, or items damaged due to acts of nature, vandalism, misuse, or improper assembly are not covered. Corrosion or rusting of hardware is not covered. Proof of purchase (dated register receipt) is required for warranty claims. Warranty is to the original purchaser and is non-transferable. Any replacement of warranted items will be in the original style and color, or a similar style and color if the original is unavailable or has been discontinued. As some states do not allow exclusions or limitations on an implied warranty, the above exclusions and limitations may not apply. This warranty gives you specific rights, and you may also have other rights, which vary from state to state.

Country of Origin: China