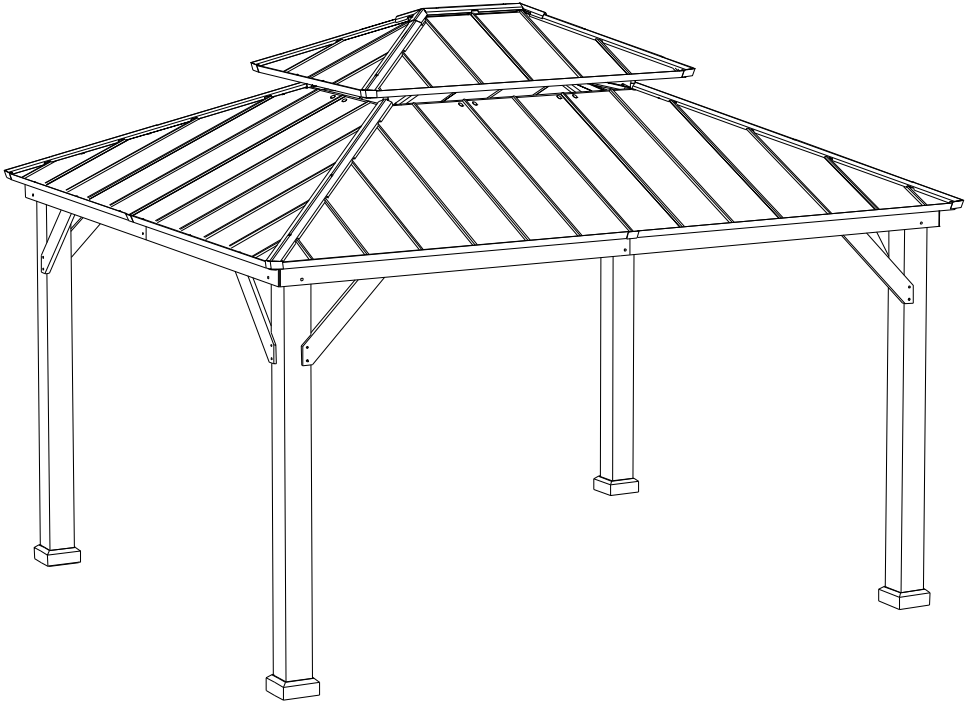


ITEM NO.:A102007500



WE HAVE YOU IN MIND, LET US SERVE YOU!

Questions? Issues?

CONTACT US

24 hours / 7 days a week

 www.sunjoyonline.com

 customer.care@sunjoygroup.com



Country of Origin: China

Production Number: XXXXXXXXXX

Important Safety Instructions



Warning! To reduce the risk of serious injury, read the following safety instructions before assembling and using the gazebo.

Please check with your local governing authority/local municipal codes regarding installation of structures before assembly.

Caution! Proper placement of your gazebo is essential.

Do not place the product underneath electrical lines.

Keep children away during assembly.

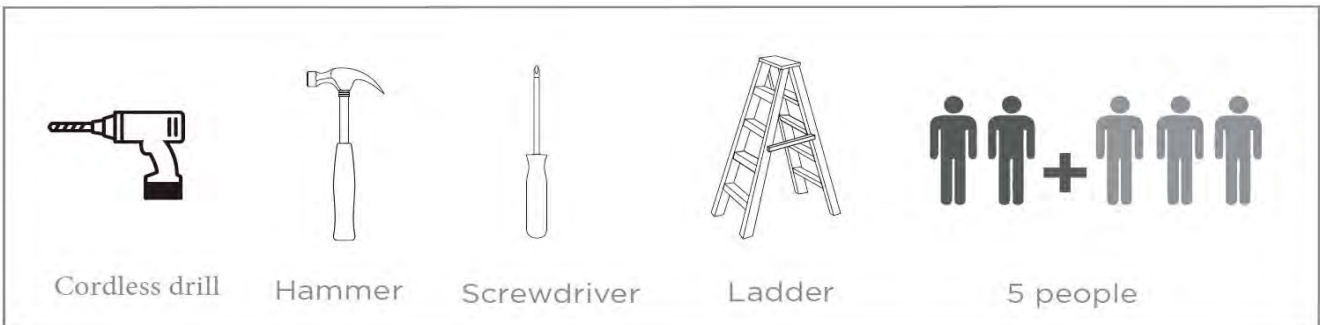
This product contains small parts which can be swallowed by children.

Keep fingers away from the places where they can be pinched or trapped. Do not attempt to assemble the gazebo if any parts are missing.

- This product is intended for domestic outdoor use only.
- The product should be placed on flat, horizontal ground.
- Ensure enough clearance around the product. Before assembling the product, find level ground not less than 6' (1.8 m) away from any structures or obstructions, such as fences, garages, houses, overhanging branches, laundry lines, or electrical wires.
- This gazebo is not to be regarded as part of a building/house structure. The gazebo is to be anchored onto the ground for added safety. Do not assemble the gazebo onto soil/earth ground. It is best advisable to have the gazebo built onto a wooden deck or concrete ground for stability. If it is to be build onto a wooden deck/ground, do ensure that the wooden deck/ground has a strong foundation. It is advisable to use appropriate floor plugs (not provided) to anchor the gazebo onto the wooden/concrete ground.
- Some structures may require two or more people to install safely. Check for underground utilities before digging or driving stakes into the ground.
- During installation, follow all safety warnings provided with your tools, and use safety glasses.
- In case you set up more than one gazebo, keep a minimum distance of 10' (3 m) between the gazebos.
- Any assembly or maintenance of the product must be carried out by adults only.
- Arrange necessary manpower when assembling or moving the product.
- Some parts may contain sharp edges. Wear protective gloves if necessary.
- Keep children and pets away while setting up the gazebo.
- Check all nuts and bolts periodically to ensure bolts/nuts are tightened.
- Repairing and replacing parts should be done by a qualified technician.
- This gazebo is intended for decorative and sunshade purposes only, and it is not designed to withstand harsh weather, including high winds, rain, and snow.
- Do not light any fires inside or near the product!
- Stay calm if fire breaks out. Search for the nearest exit. Do not return to the gazebo before firemen allow you to do so.
- Do not hang heavy weights on the roof frame.
- Do not climb onto the roof of the gazebo. Falling off the gazebo can result in serious injury.
- Retain the original packaging to store the gazebo.

IMPORTANT:

- Please read and understand this manual before any assembly. Before beginning assembly of product, make sure all parts are present. Compare parts with packaging contents list.
- **When assembling wooden parts, do not overtorque the bolts to avoid splitting the wood. See image illustration.**
- Place all parts from the box in a cleared area and position them on the floor in front of you.
- Remove all packing materials and place them back into the box. Do not dispose of the packing materials until assembly is complete.
- Needed for assembly: (The following tools are not included)

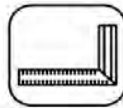


This identifies information that requires special attention. Improper assembly could lead to an unsafe or dangerous condition.



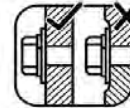
Use Level

Check that set or assembly is properly level before proceeding.



Square Assembly

Check that assembly is square before tightening bolts.



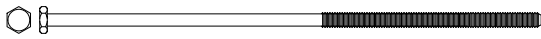
Tighten Bolts

Do not overtorque mounting bolts. Over-tightening may cause the wood to crack creating splinters and other structural damage.

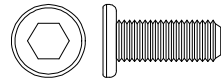


Measure Distance

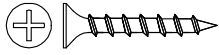
Hardware Pack



___AA



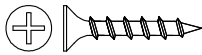
___KK



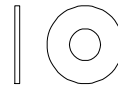
___CC



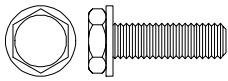
___LL



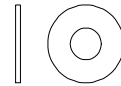
___EE



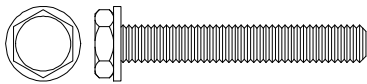
___MM



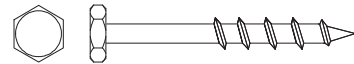
___FF



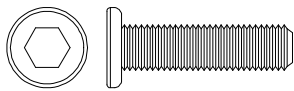
___NN



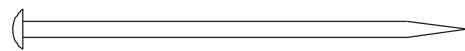
___GG



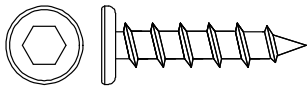
___OO



___HH



___PP



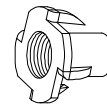
___II



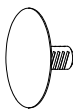
___RR



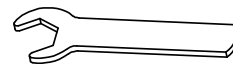
___W



___SS



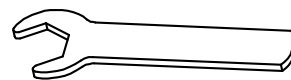
___HH1



___Z1



___Z2



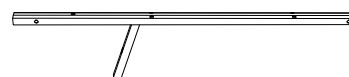
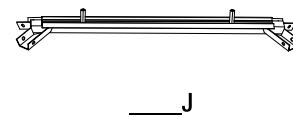
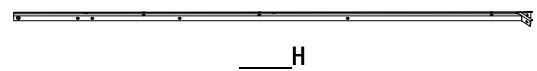
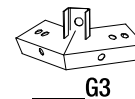
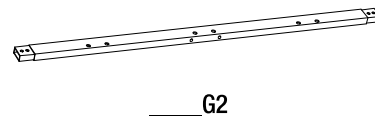
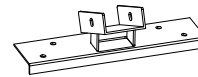
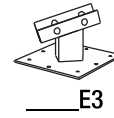
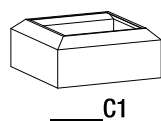
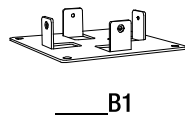
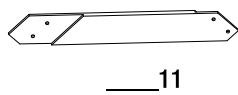
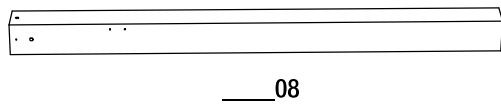
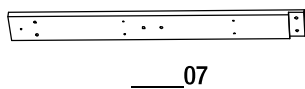
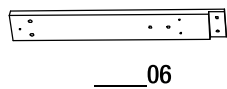
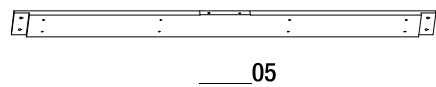
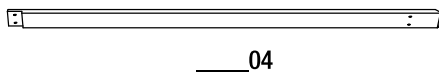
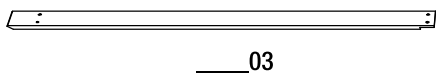
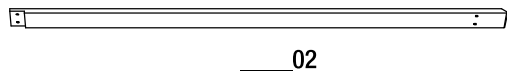
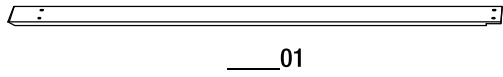
___Z4

Hardware Pack

Part	Part Number	Description	Quantity
AA	H010010449	Bolt M10*205	8+1
CC	H030050057	Screw ST 5*40	64+4
EE	H030050058	Screw ST 5*30	64+4
FF	H100010047	Bolt M6*20	202+10
GG	H100010046	Bolt M6*40	12+1
HH	H010030083	Bolt M8*35	16+1
II	H030030010	Screw ST 8*35	16+1
KK	H010030084	Bolt M8*25	24+2
LL	H040050026	Hex Nut M10	8+1
MM	H050080007	Flat Washer M8	56+3
NN	H050080008	Flat Washer M10	24+2
OO	H030010031	Screws ST 10*80	8+1
PP	H070010003	Stake Φ 8*180	8
RR	H090990002	M3 Drill	2
SS	H040090005	T-Nut M8*20	16+1
VV	H040090004	T-Nut M8*8	24+2
HH1	P00220034001	Black Plastic Buckle	12+4
Z1	H090010017	Wrench M6	2
Z2	H090030005	Allen Key M8	1
Z4	H090010015	Wrench M10	2

Pre-Assembly (continued)

PACKAGE CONTENTS



Pre-Assembly (continued)



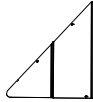
__L



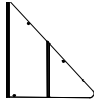
__M1



__M2



__N1



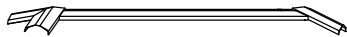
__N2



__N3



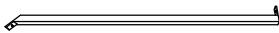
__P



__Q



__S1



__S2



__S3



__S4



__T1



__T2



__T3



__T4



__U1



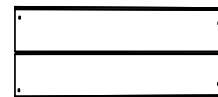
__U2



__U3

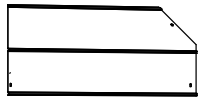


__U4



__V1

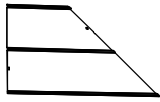
Pre-Assembly (continued)



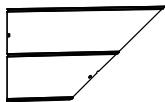
___V2



___V3



___V4



___V5



___V6



___V7



___W

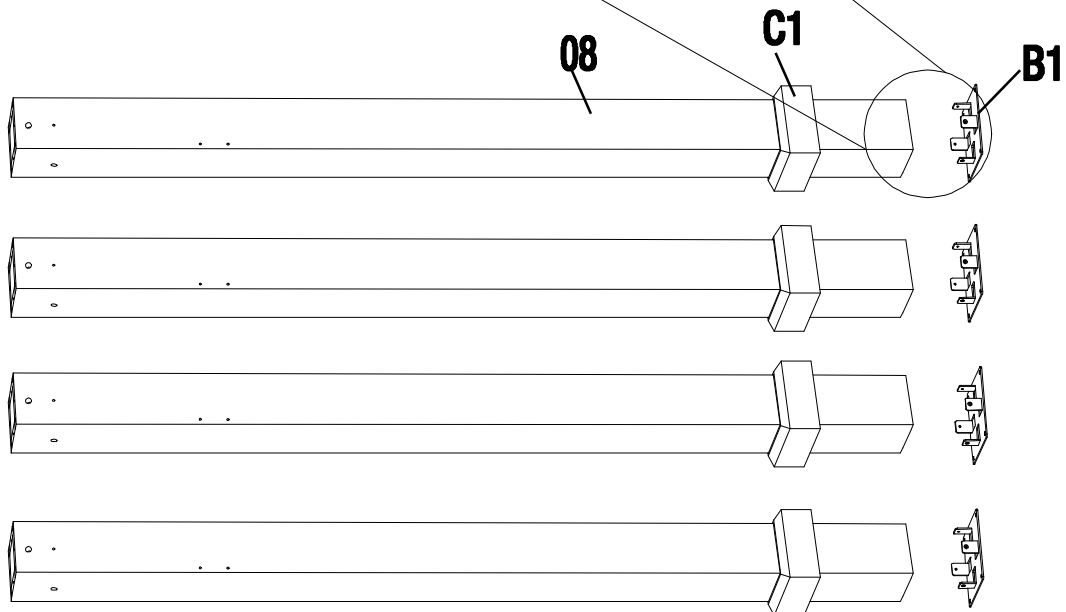
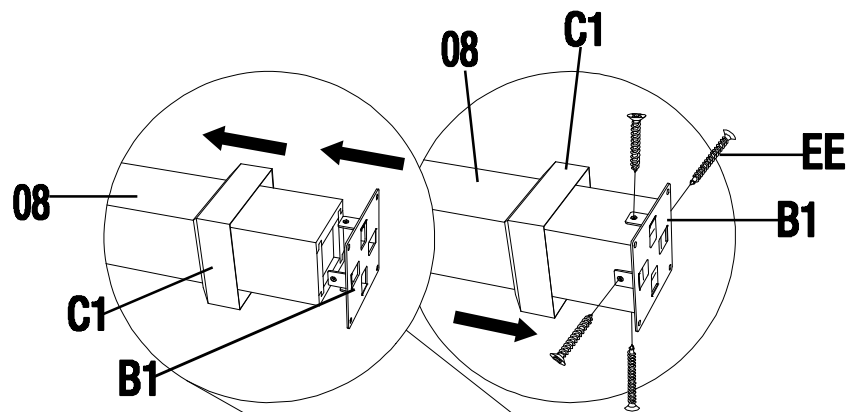
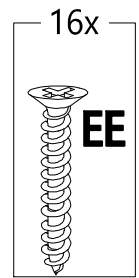
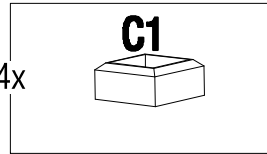
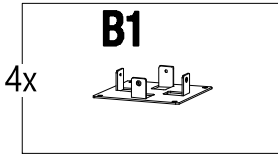
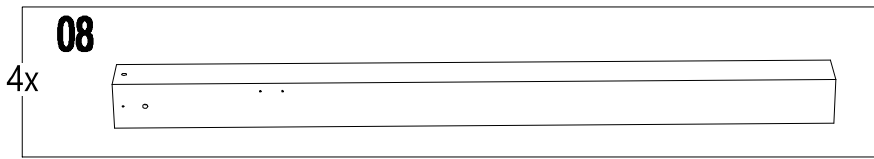
Pre-Assembly (continued)

Part	Part Number	Description	Quantity
01	P000400506	Outer Long Left Beam	2
02	P000400507	Outer Long Right Beam	2
03	P000400508	Outer Short Left Beam	2
04	P000400509	Outer Short Right Beam	2
05	P000400510	Inner Middle Beam	4
06	P000400512	Inner Short Beam	4
07	P000400511	Inner Long Beam	4
08	P000200227	Post	4
10	P005000200	Arc Support 1	4
11	P005000201	Arc Support 2	4
B1	P00010025801	Base	4
C1	P00610021601	Base Cover	4
E3	P00050024801	Slanting Beam Connector	4
E4	P00050025101	Middle Beam Connector	4
G1	P00050169901	Big Roof Frame Short Tube	2
G2	P00050170001	Big Roof Frame Long Tube	2
G3	P00050157501	Big Roof Frame Connector	4
H	P00060197101	Big Roof Slanting Beam	4
I	P00060198301	Big Roof Middle Beam	4
J	P00050156301	Small Roof Connector	1
K	P00060023601	Small Roof Slanting Beam	4
L	P005800001	Hook	1
M1	P00060202101	Small Roof Short Beam	2
M2	P00060202301	Small Roof Long Beam	2
N1	P00070022401	Small Roof Panel 1 (Short)	4
N2	P00070022601	Small Roof Panel 2 (Short)	4
N3	P00070022501	Small Roof Small Panel (Long)	2
P	P00080009801	Small Roof Slanting Beam Cover	4
Q	P00090004001	Small Roof Top Cover	1

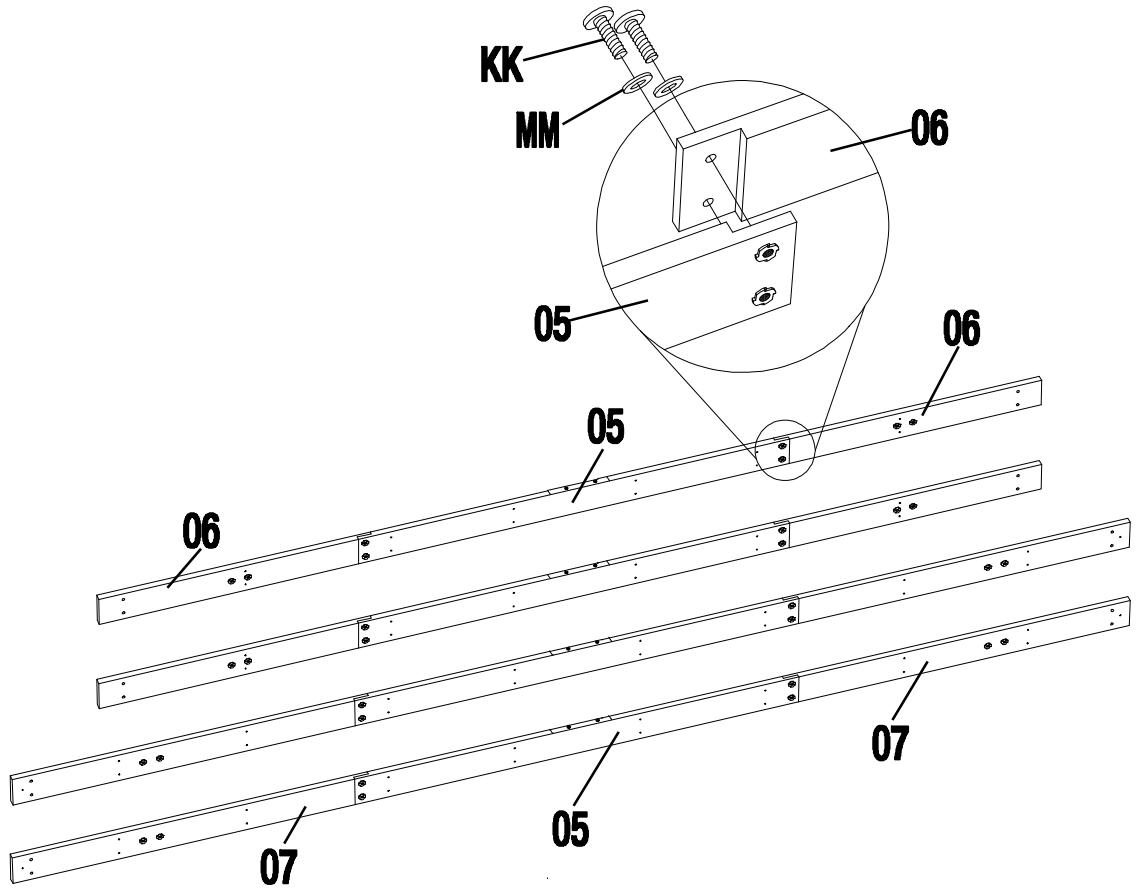
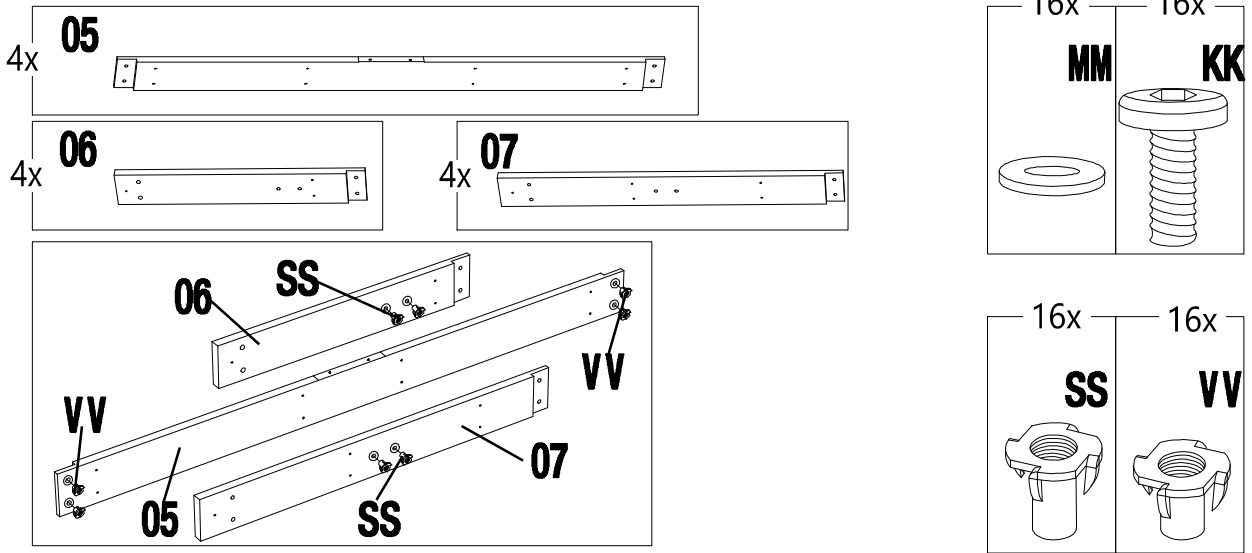
Pre-Assembly (continued)

Part	Part Number	Description	Quantity
S1	P00060198901	Big Roof Short Small Beam 1	4
S2	P00060199901	Big Roof Short Small Beam 2	4
S3	P00060201201	Big Roof Bottom Short Beam 1	2
S4	P00060201601	Big Roof Bottom Short Beam 2	2
T1	P00060199001	Big Roof Long Small Beam 1	4
T2	P00060200001	Big Roof Long Small Beam 2	4
T3	P00060221701	Big Roof Bottom Long Beam 1	2
T4	P00060221801	Big Roof Bottom Long Beam 2	2
U1	P00570034501	Short Netting Pipe 1	2
U2	P00570034601	Short Netting Pipe 2	2
U3	P00570034701	Long Netting Pipe 1	2
U4	P00570034801	Long Netting Pipe 2	2
V1	P00070108001	Big Roof Long Big Panel	2
V2	P00070107801	Big Roof Left Big Panel	4
V3	P00070107901	Big Roof Right Big Panel	4
V4	P00070101401	Big Roof Left Middle Panel	4
V5	P00070101601	Big Roof Right Middle Panel	4
V6	P00070101001	Big Roof Left Small Panel	4
V7	P00070101201	Big Roof Right Small Panel	4
W	P00080034401	Big Roof Slanting Beam Cover	4

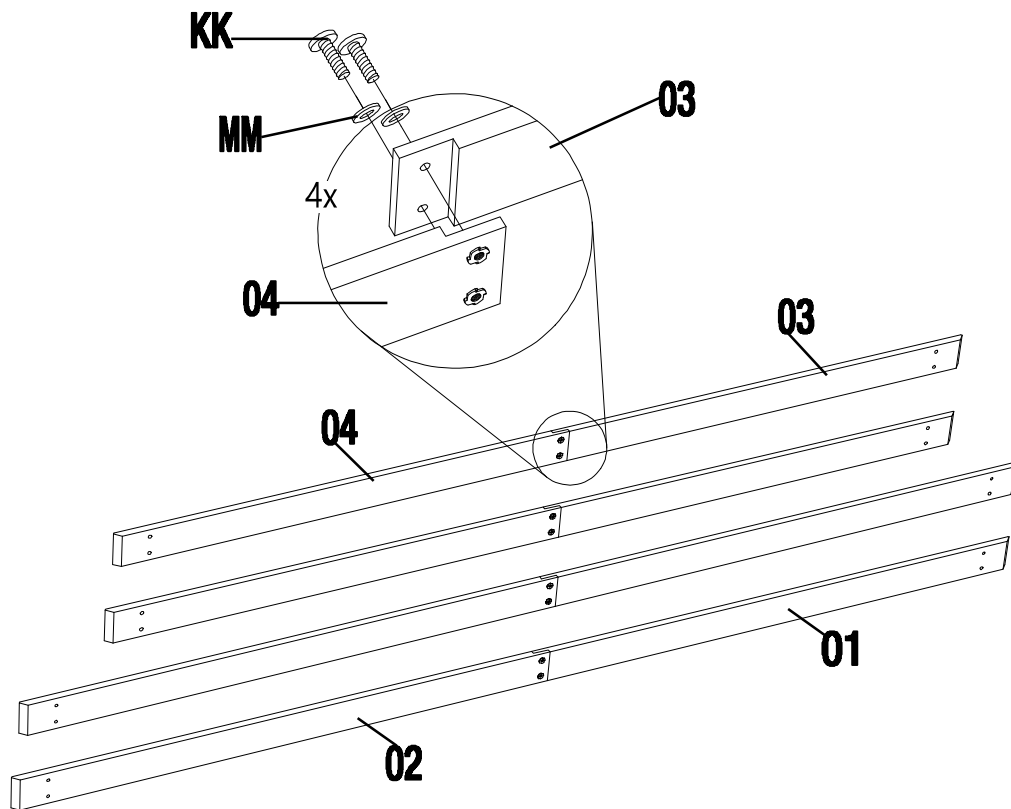
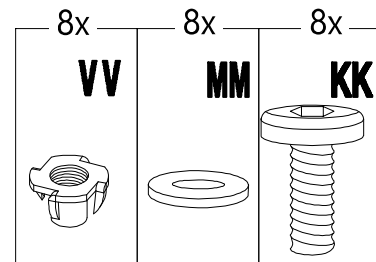
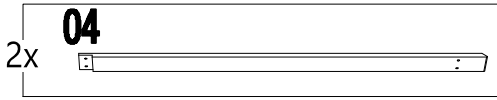
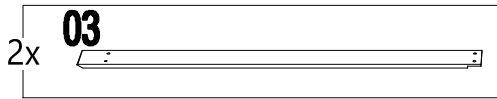
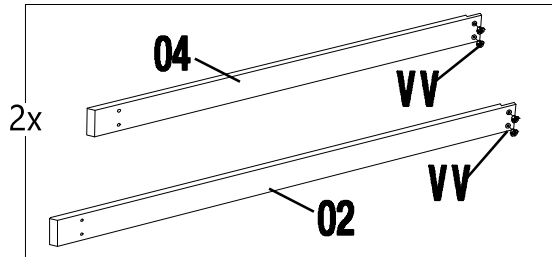
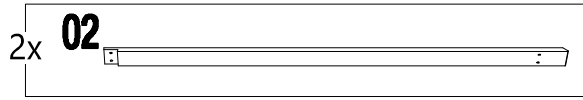
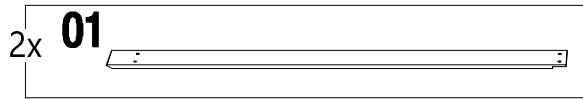
1



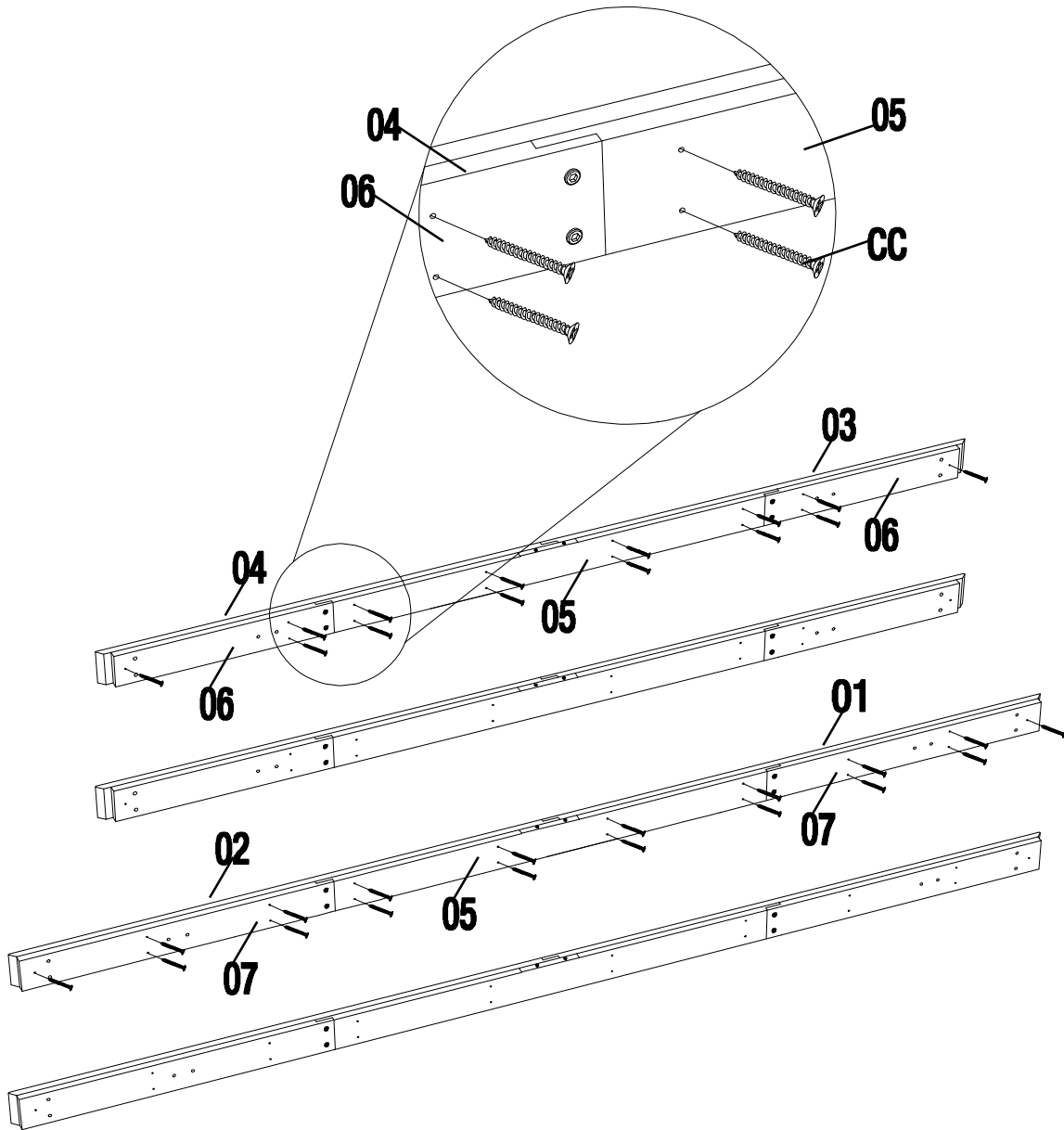
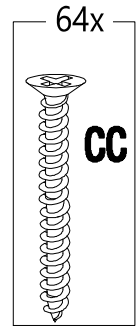
2



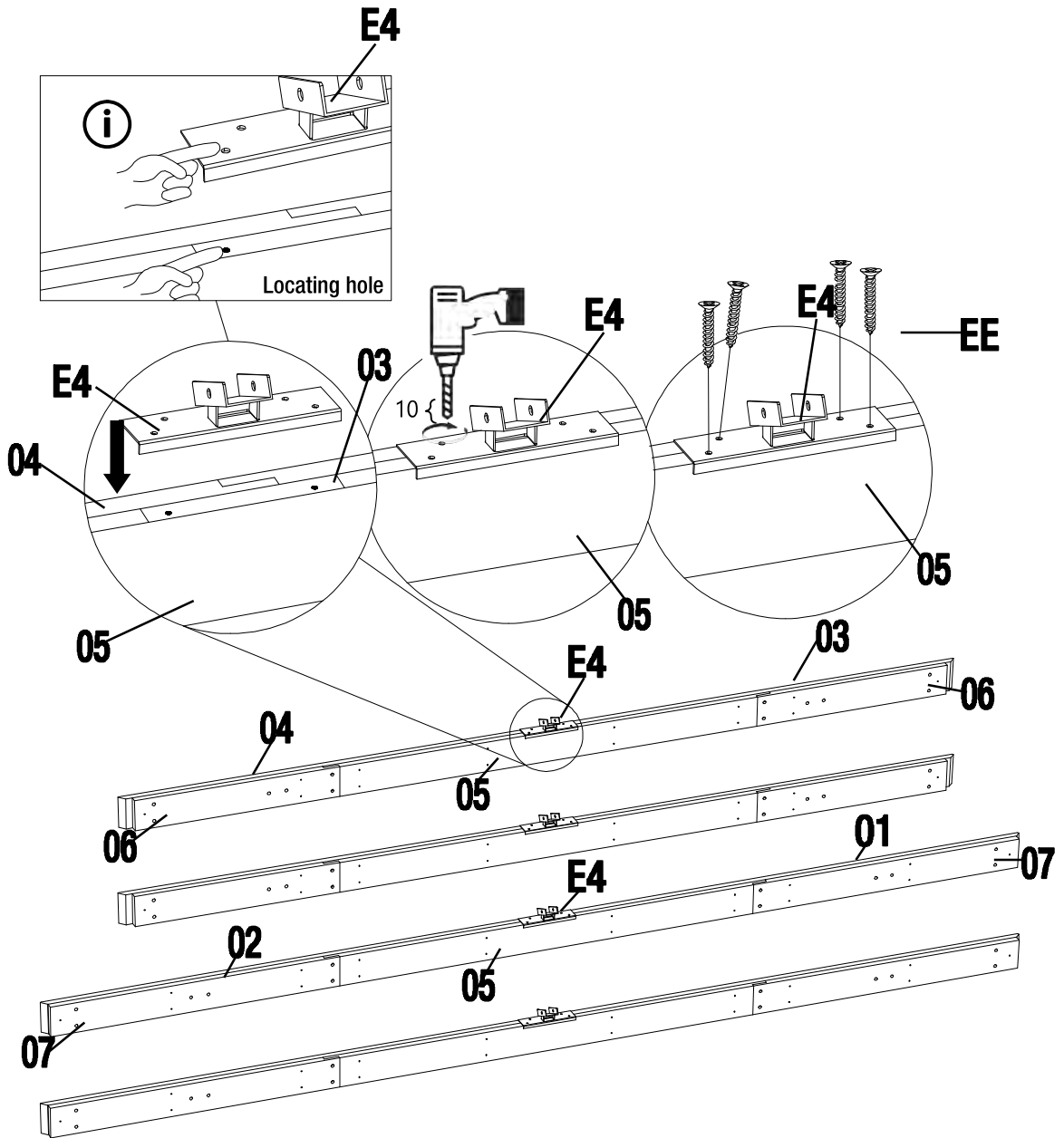
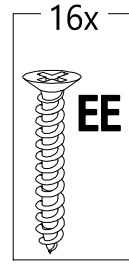
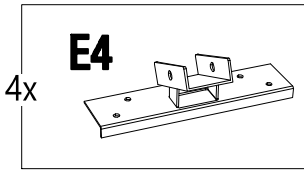
3



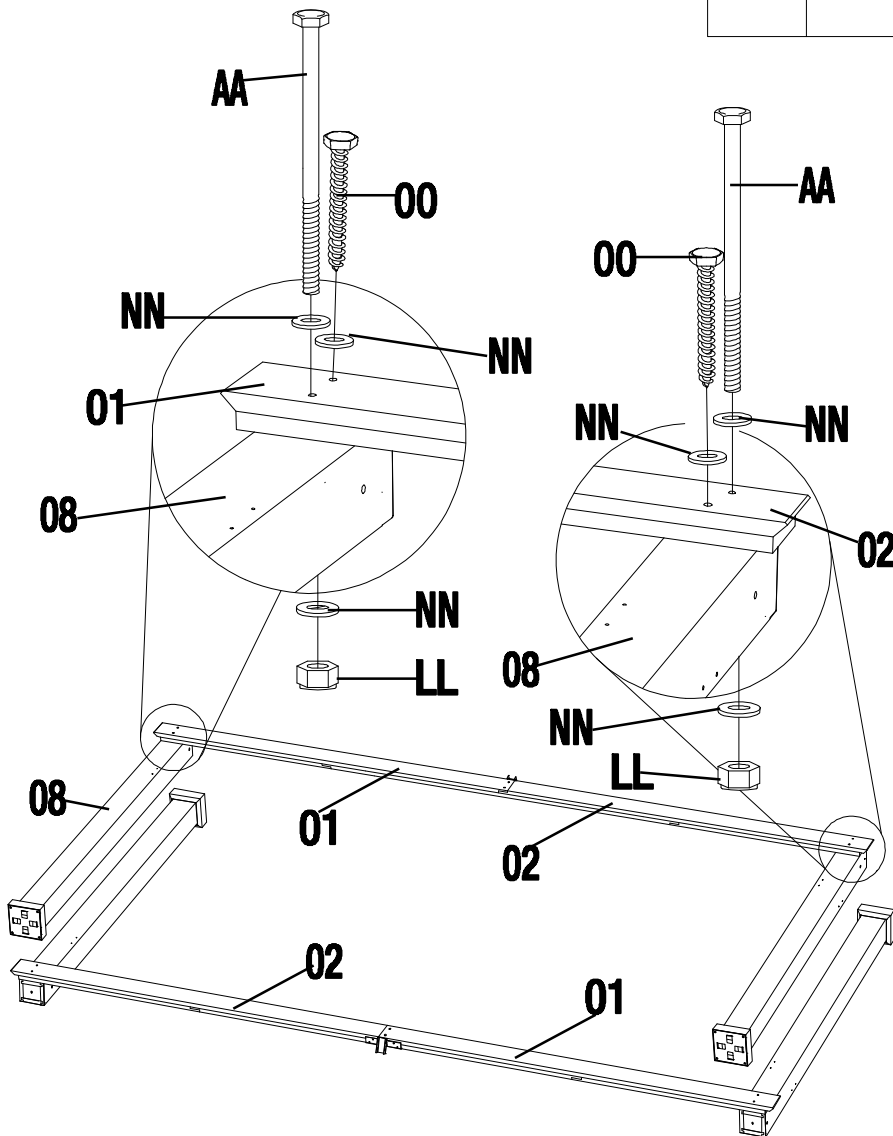
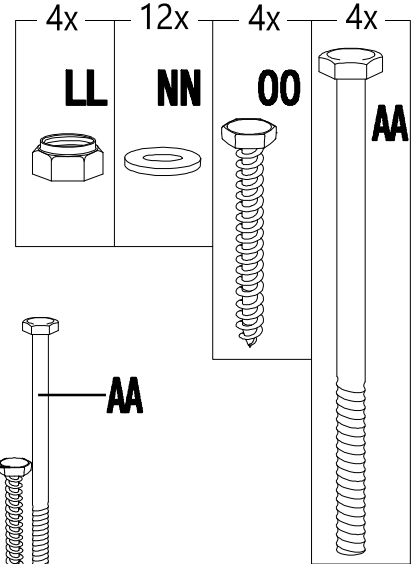
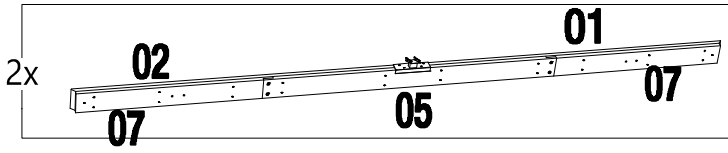
4



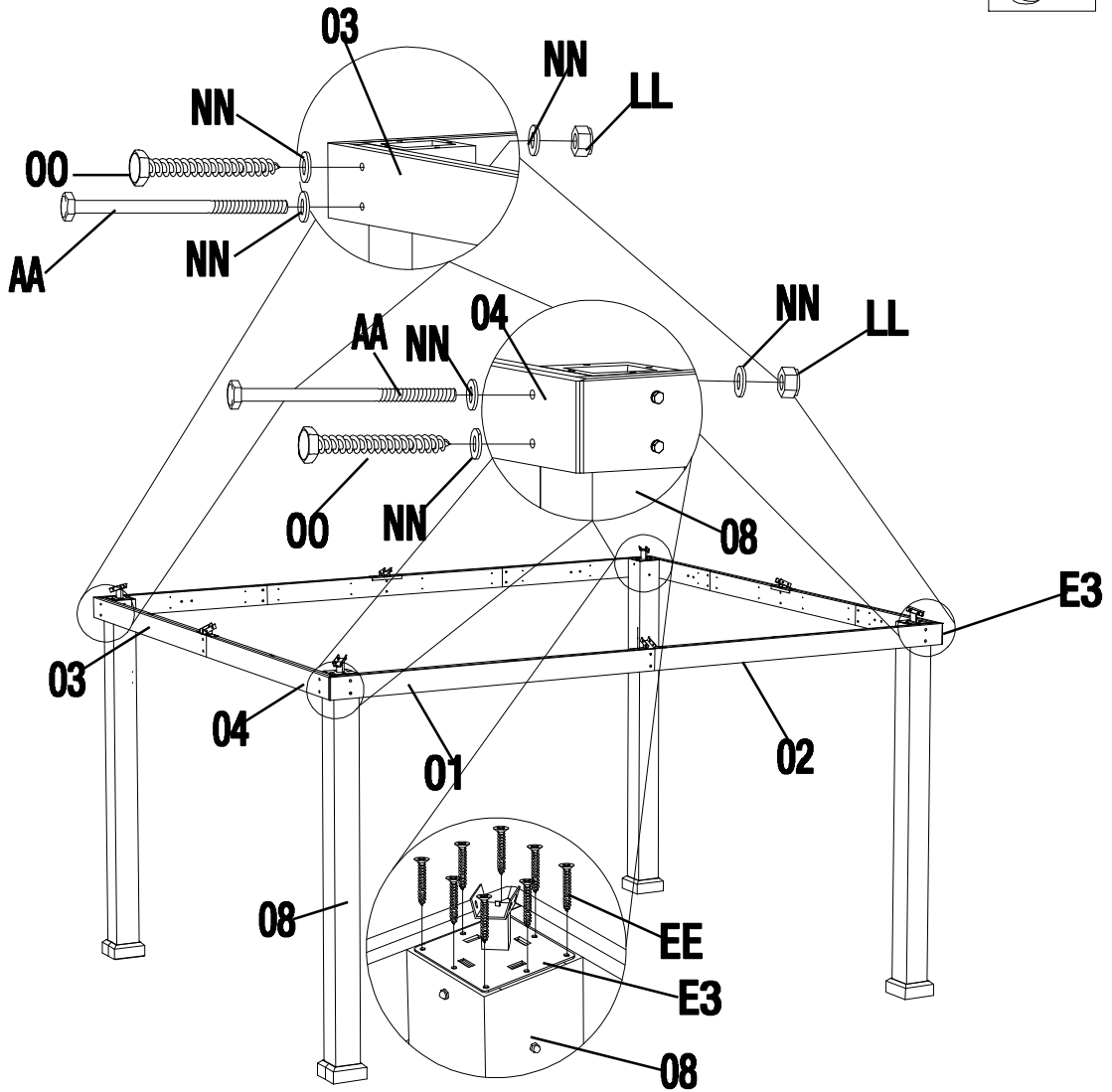
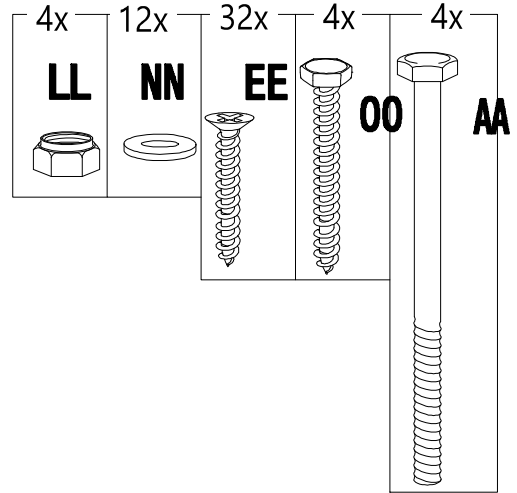
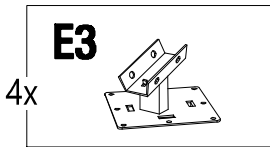
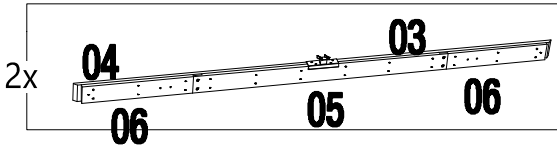
5



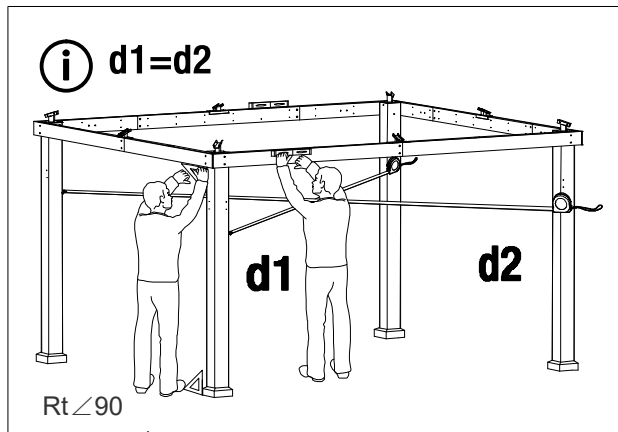
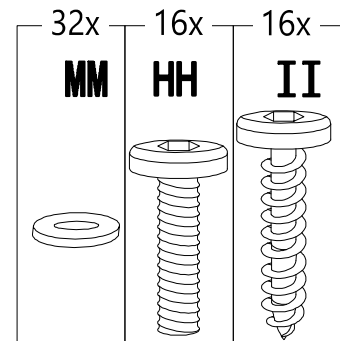
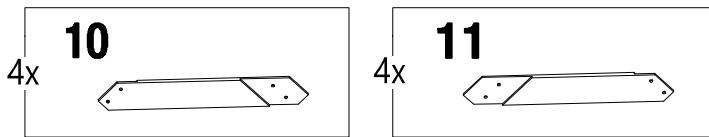
6



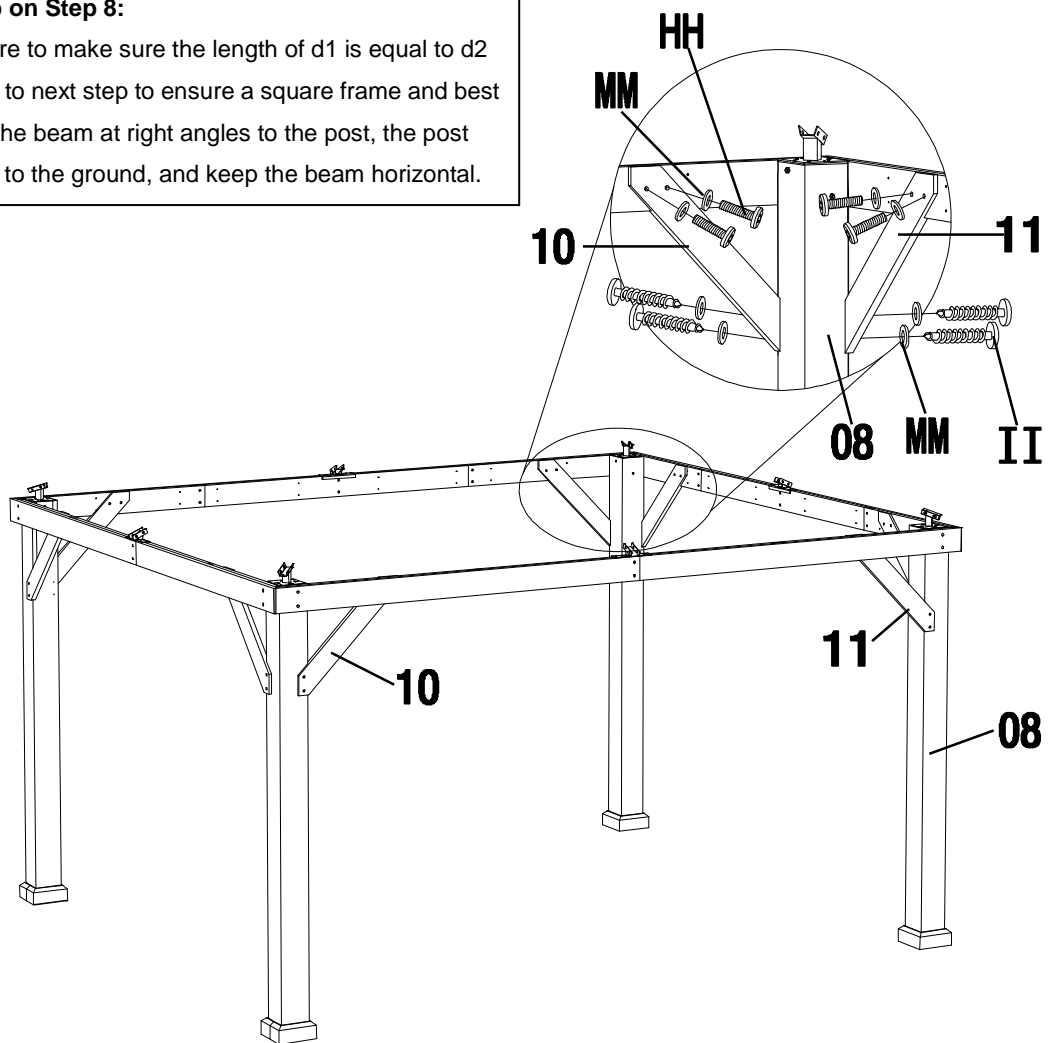
7



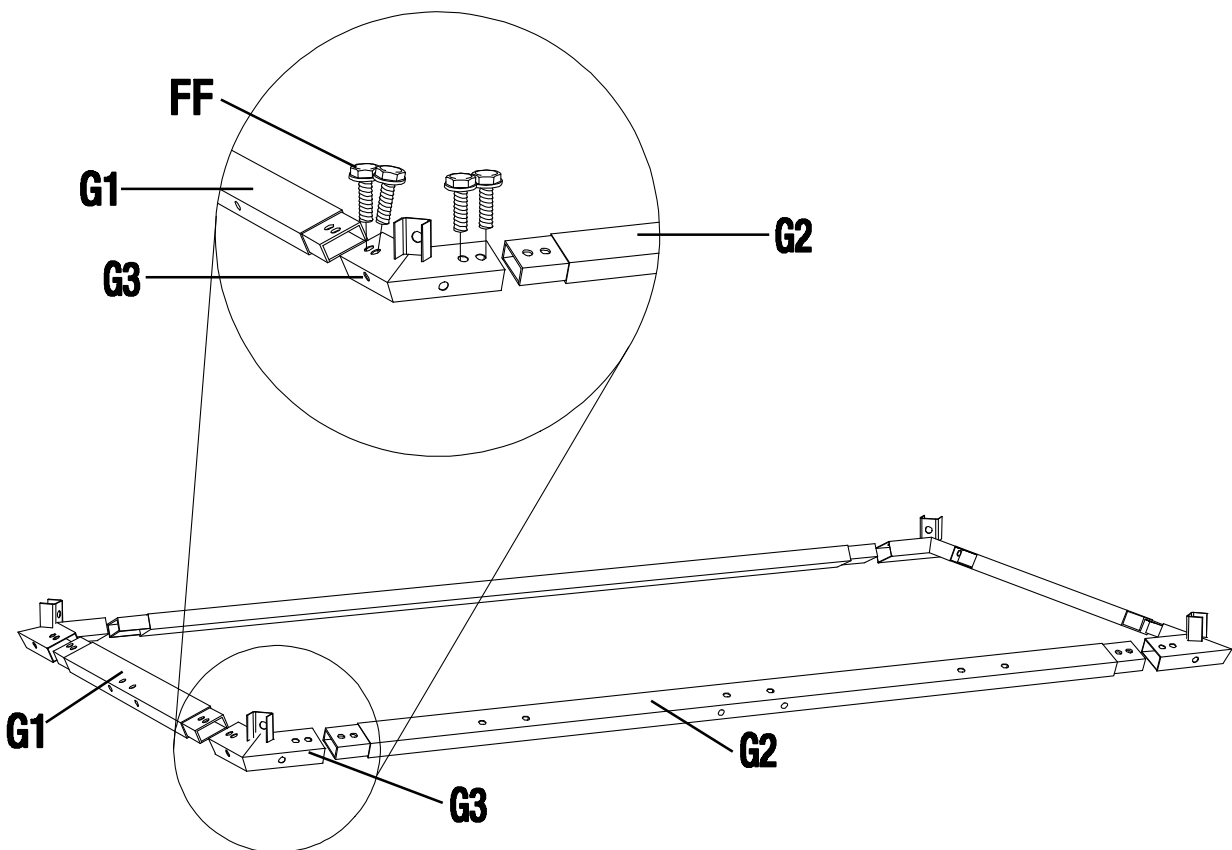
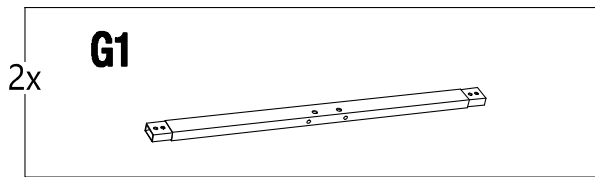
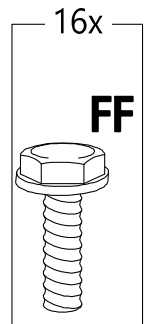
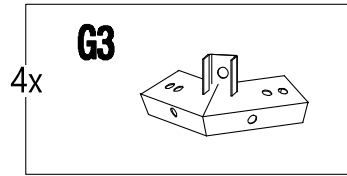
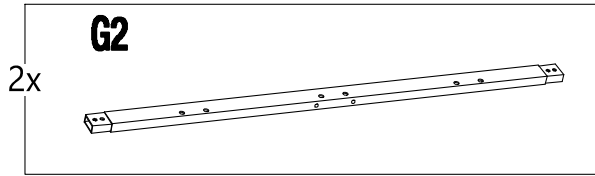
8



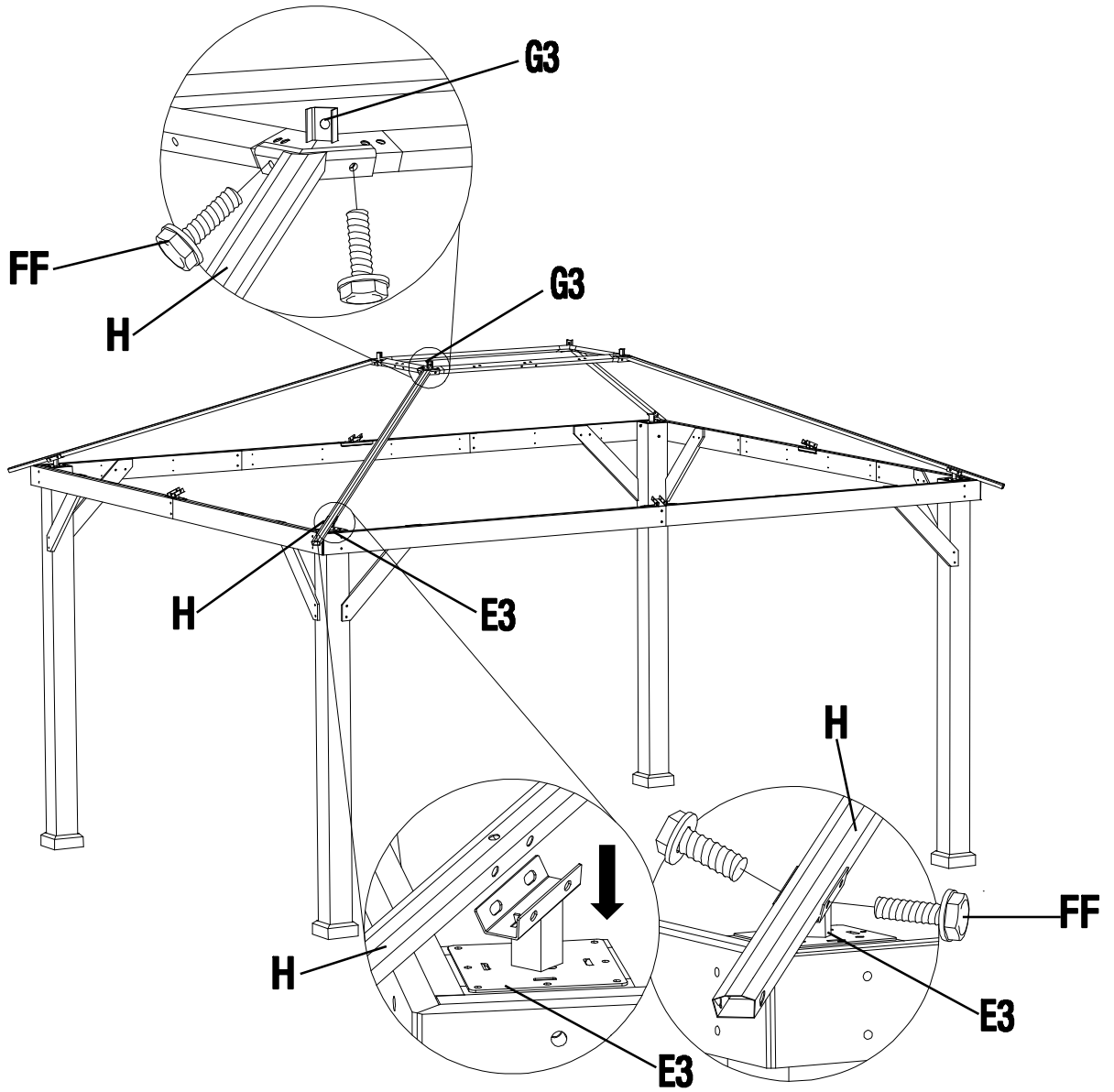
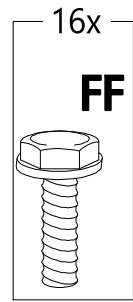
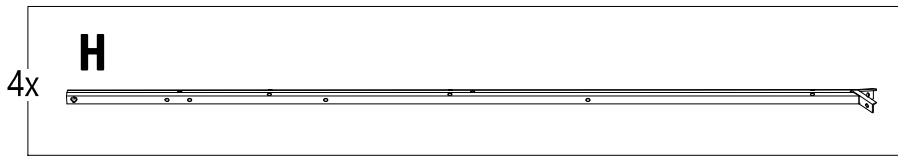
Assembly Tip on Step 8:
 Please measure to make sure the length of d1 is equal to d2 before moving to next step to ensure a square frame and best results. Keep the beam at right angles to the post, the post at right angles to the ground, and keep the beam horizontal.



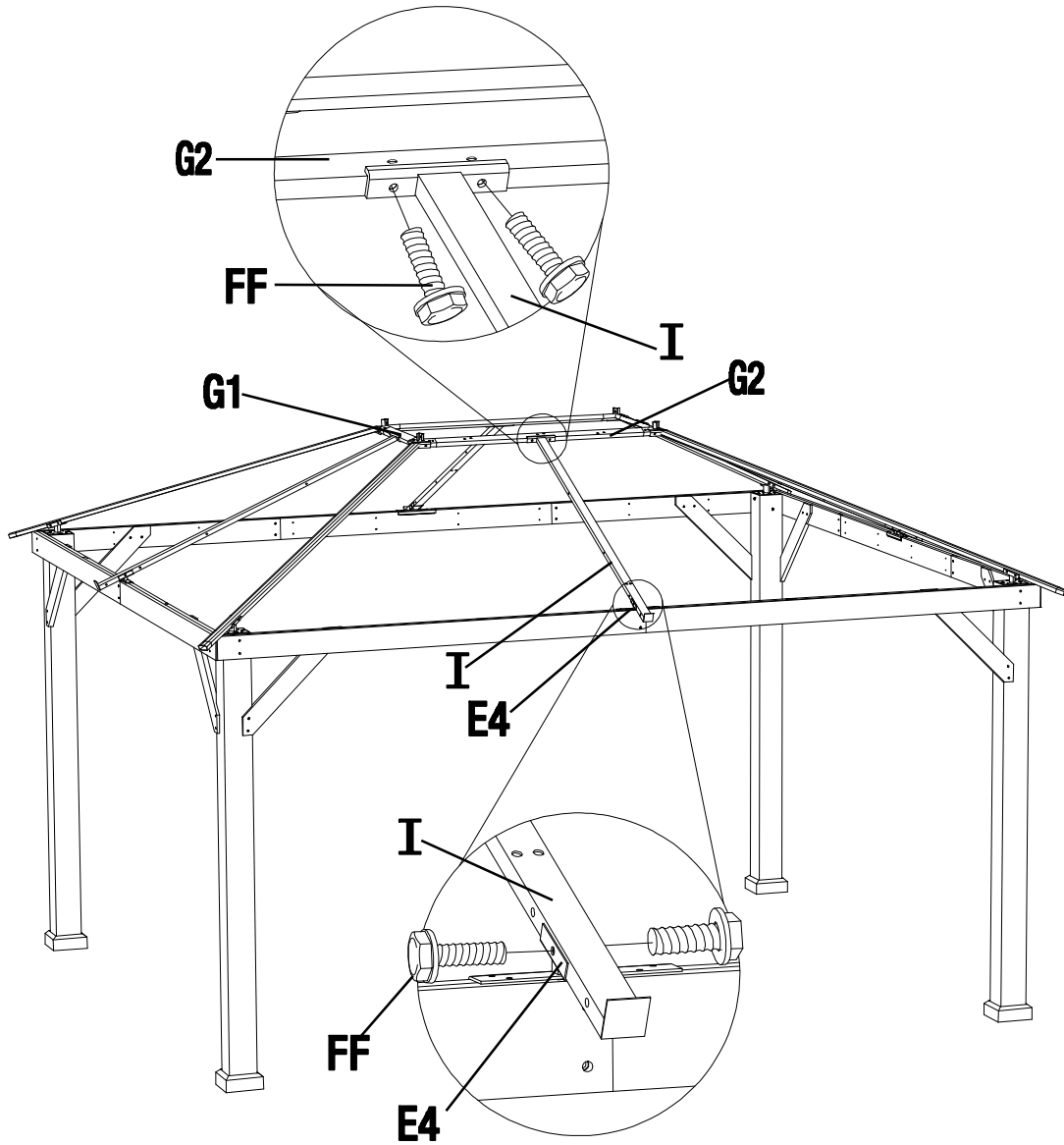
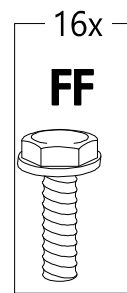
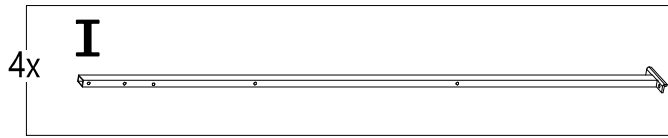
9



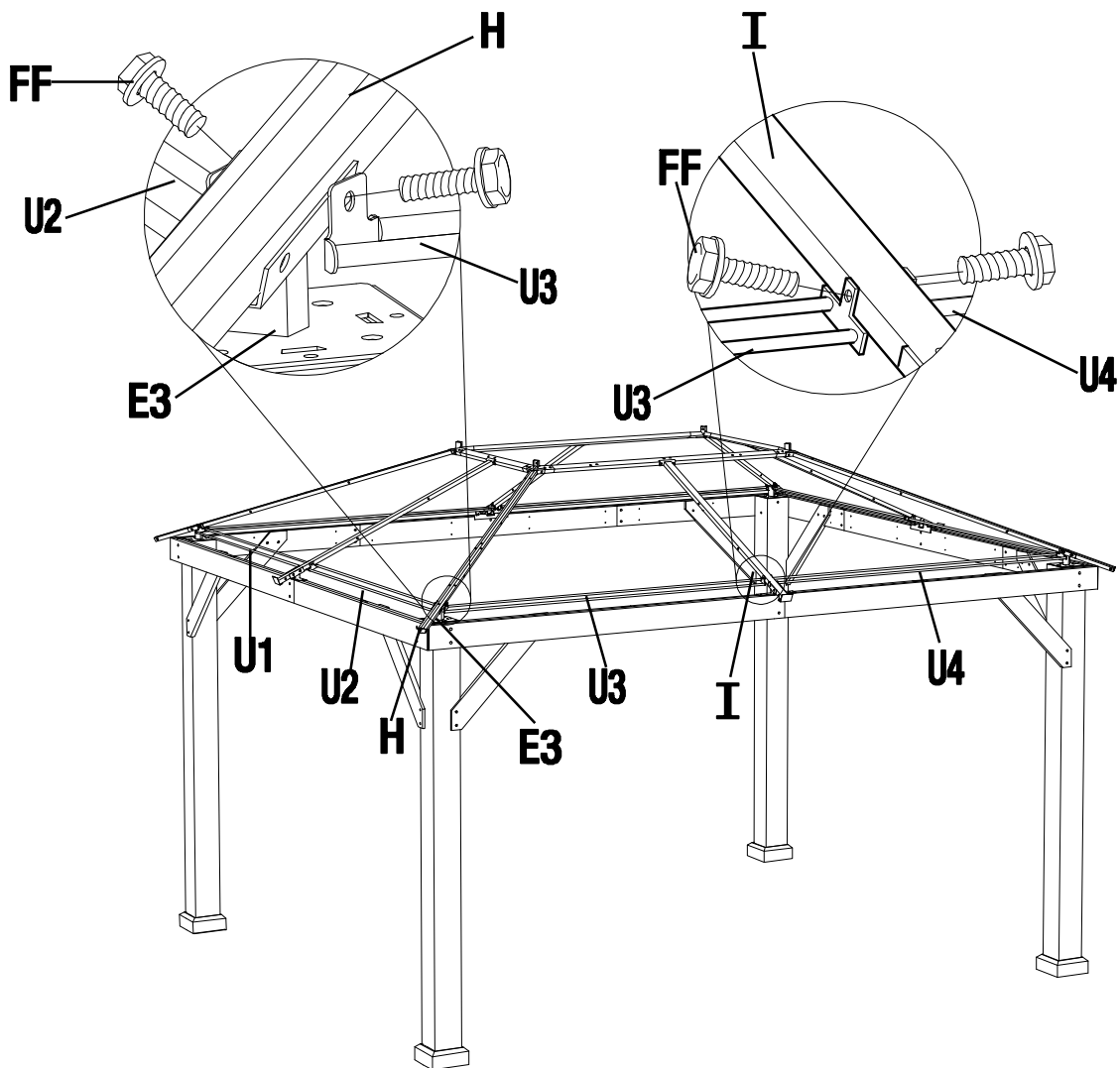
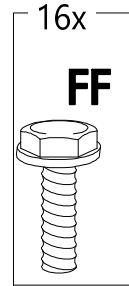
10



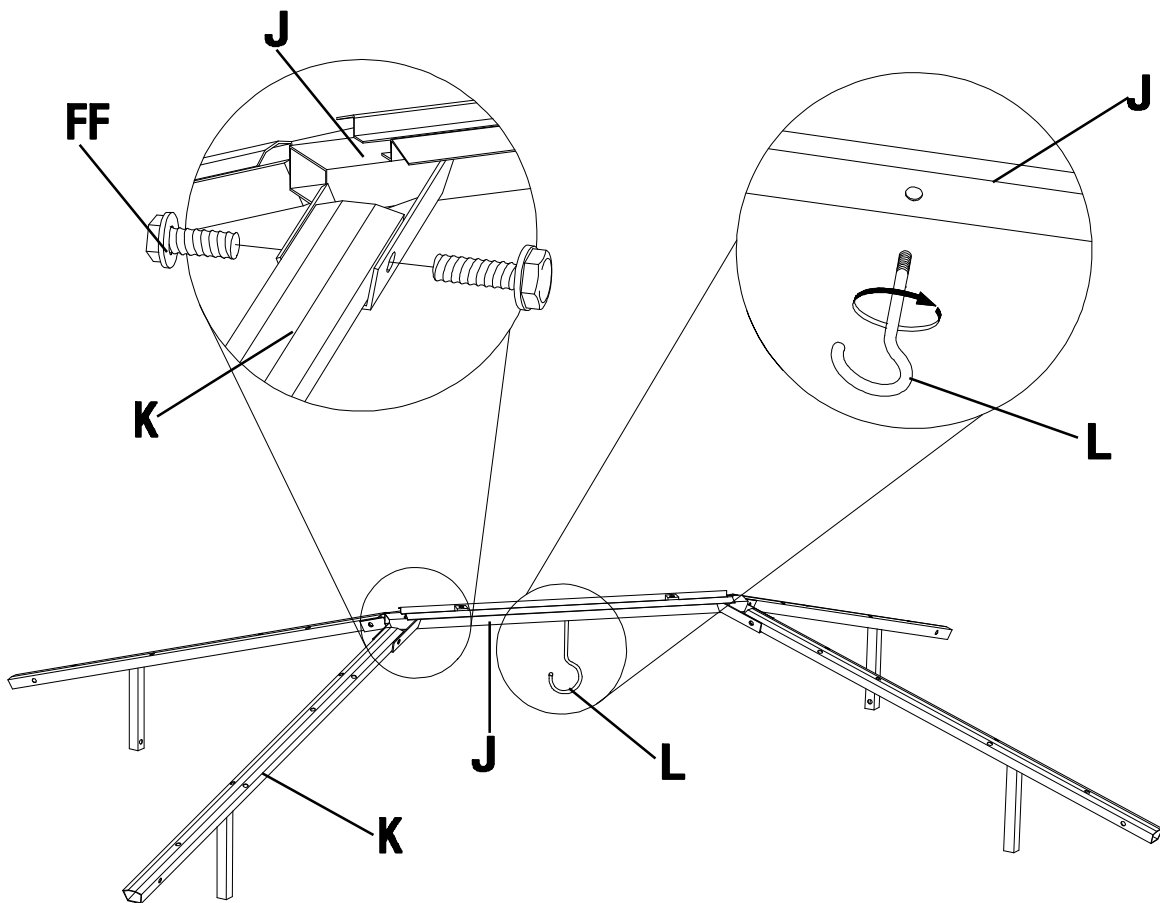
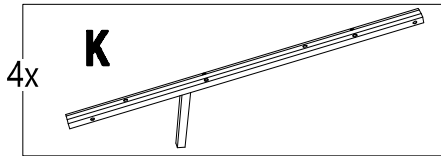
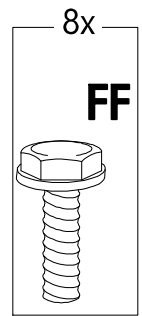
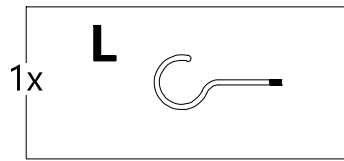
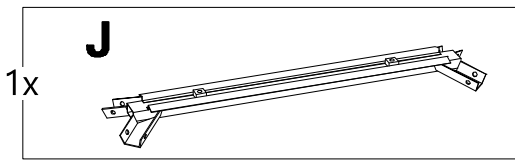
11



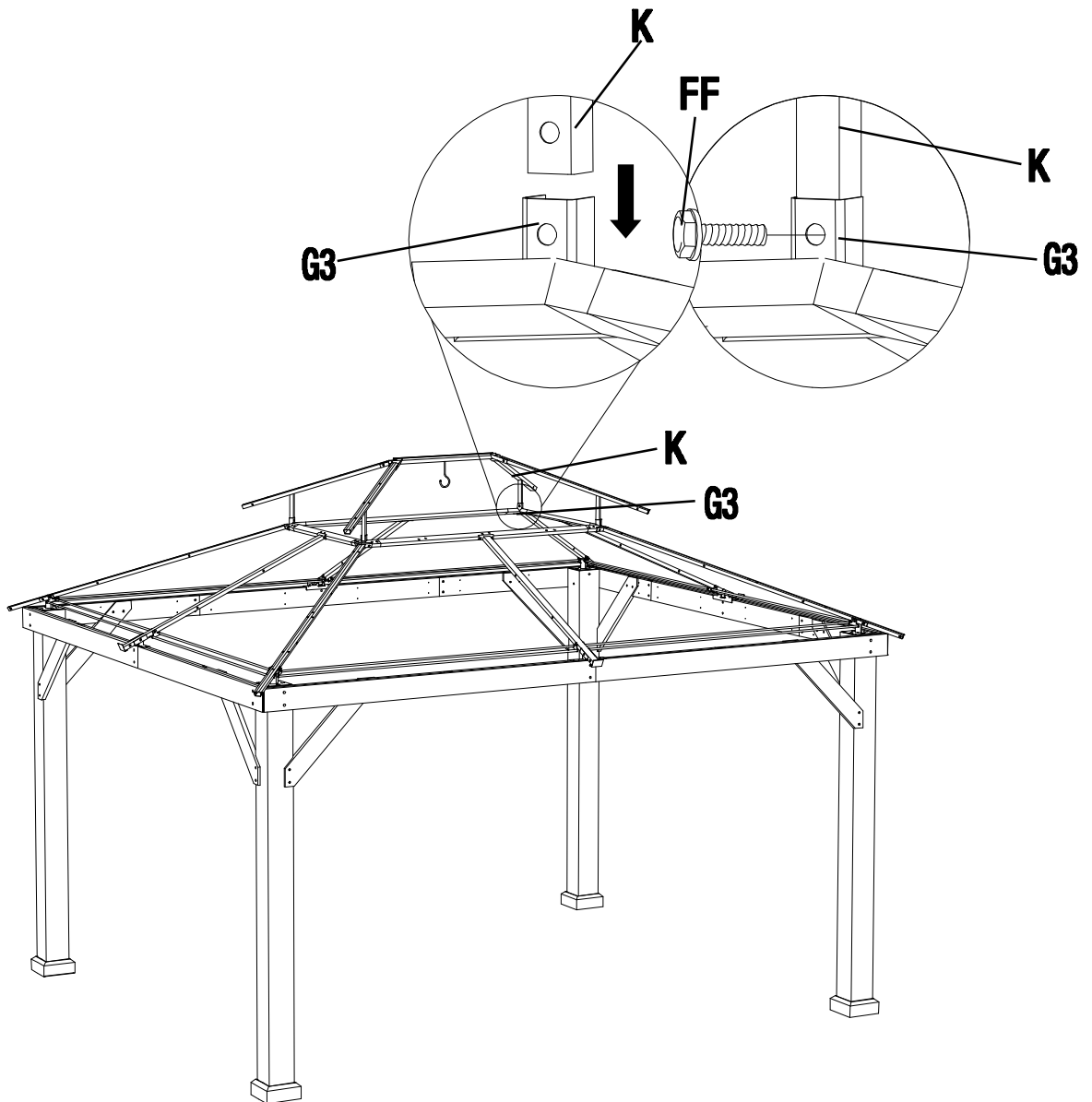
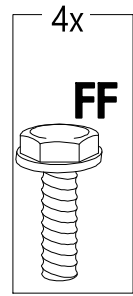
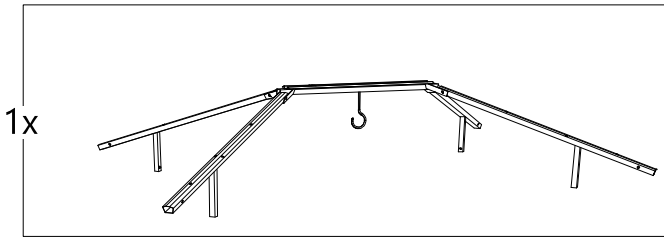
12



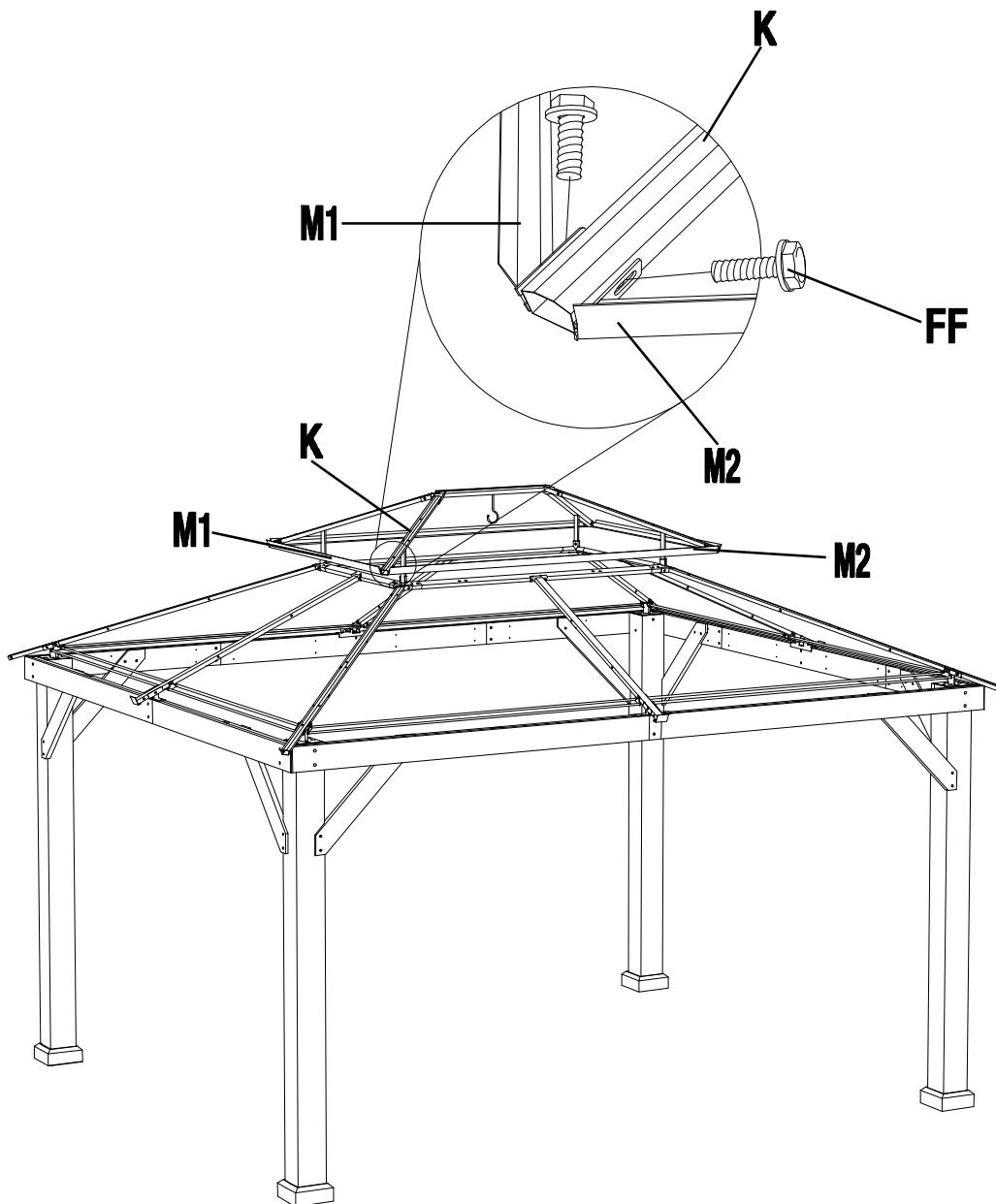
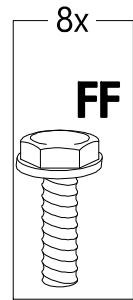
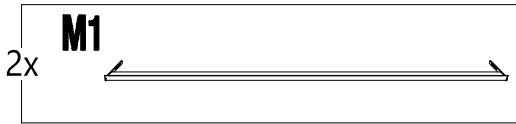
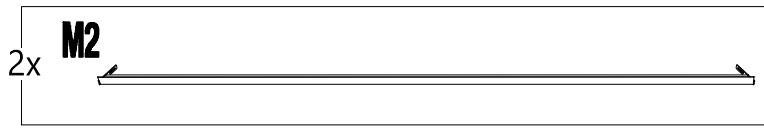
13



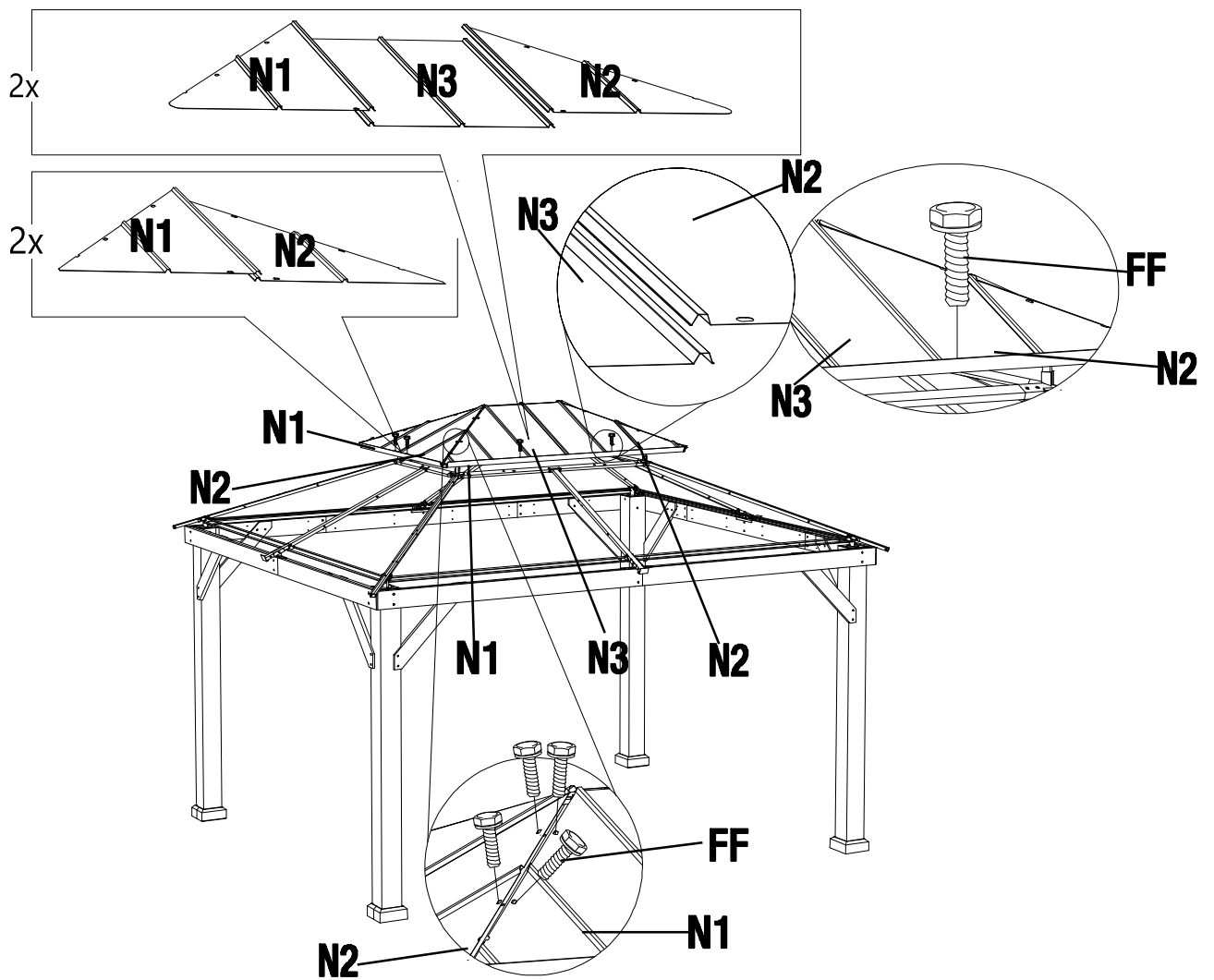
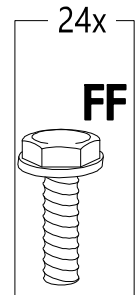
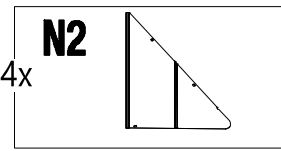
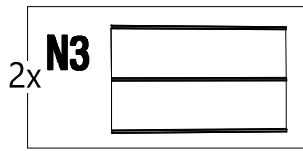
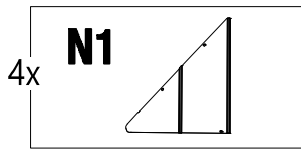
14



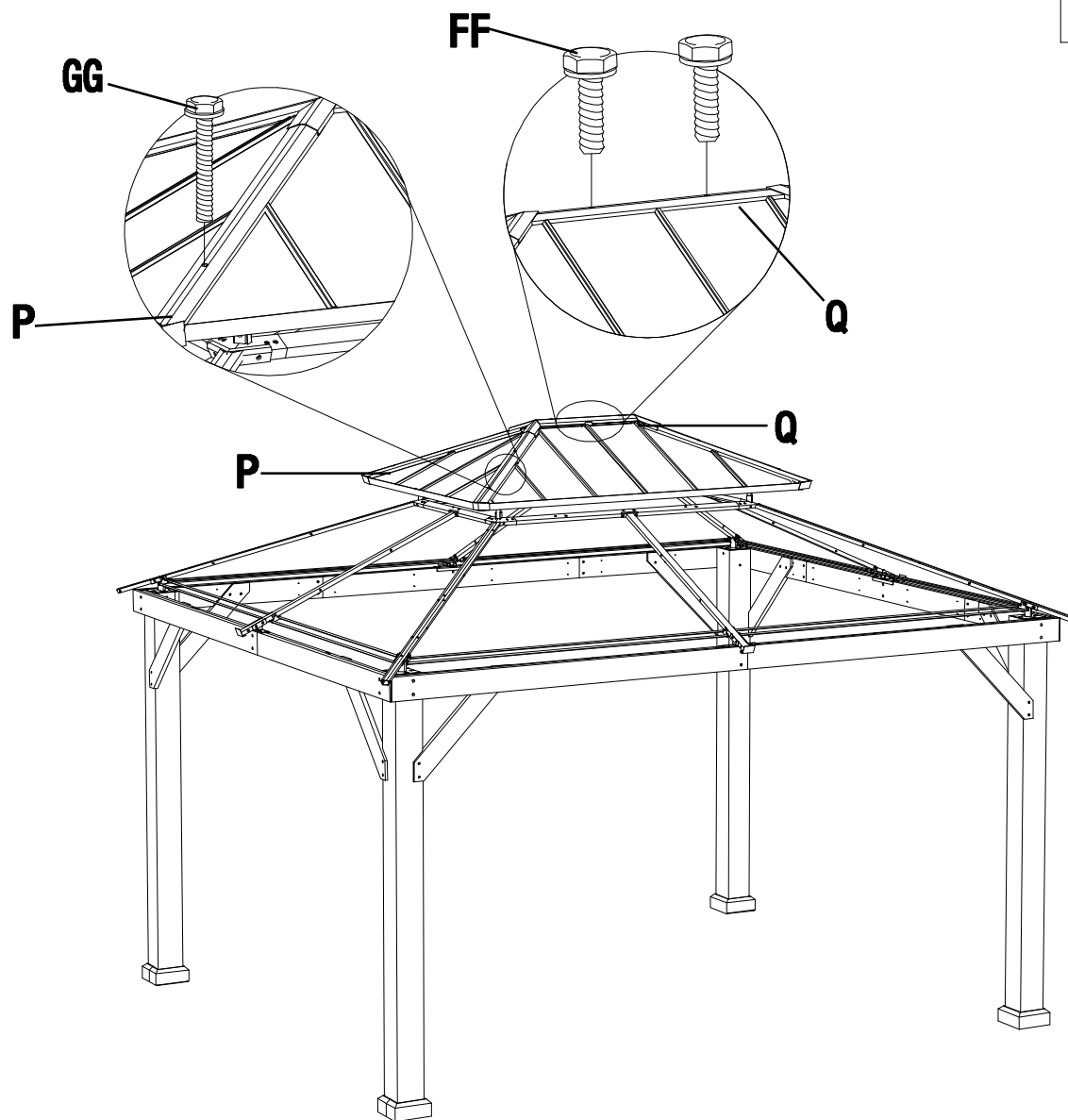
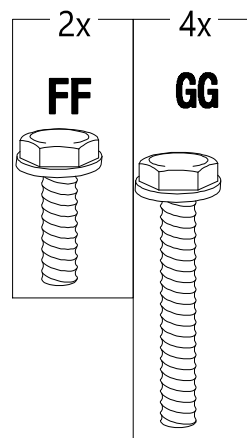
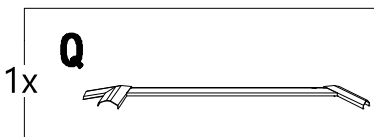
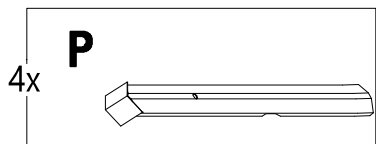
15



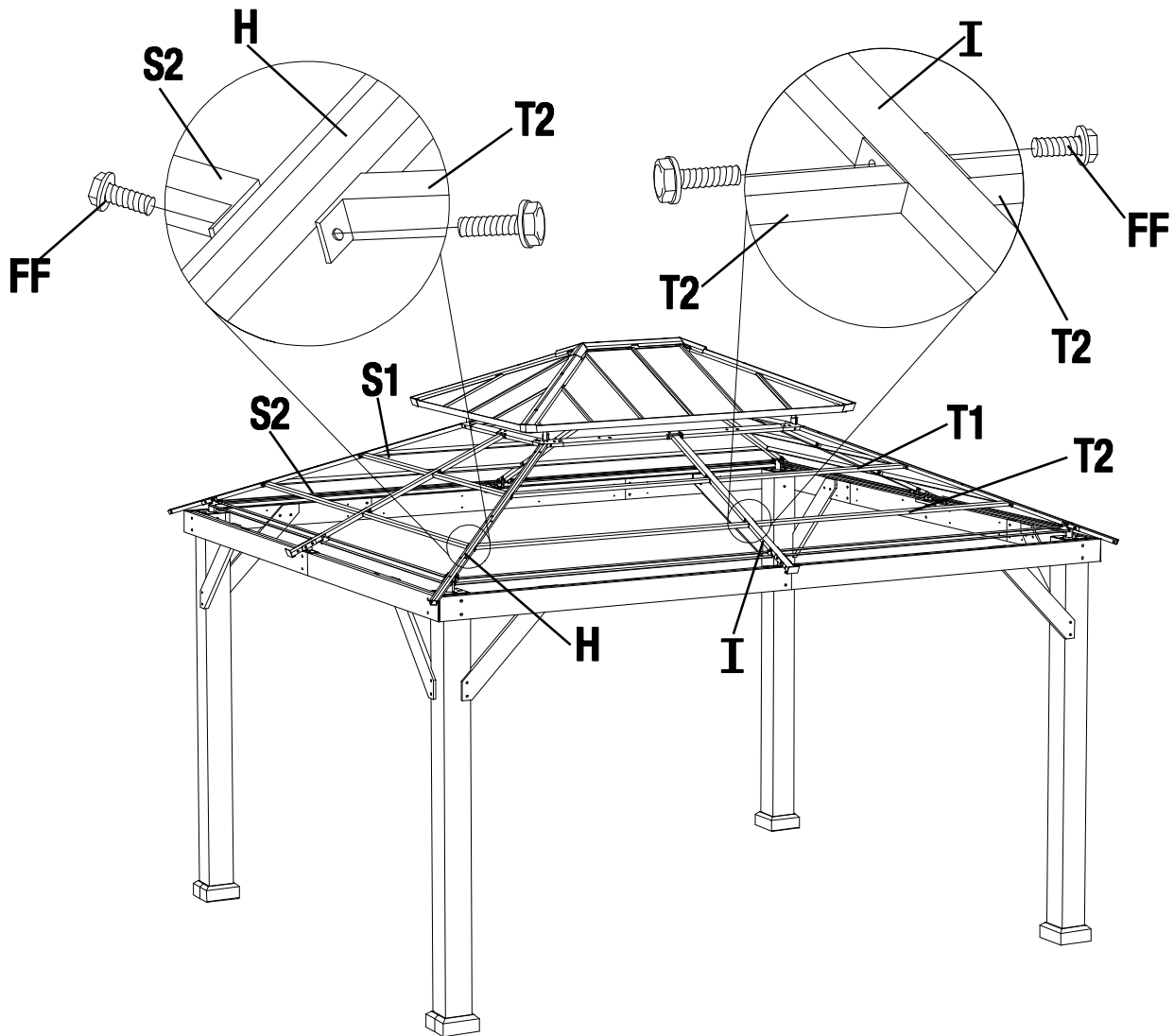
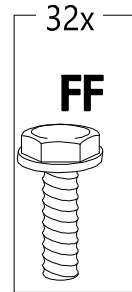
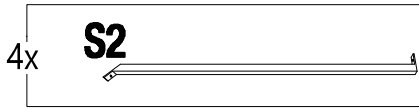
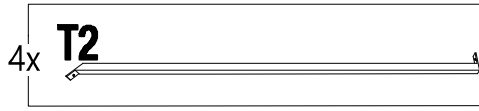
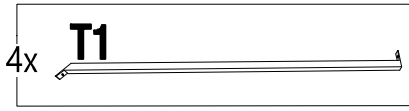
16



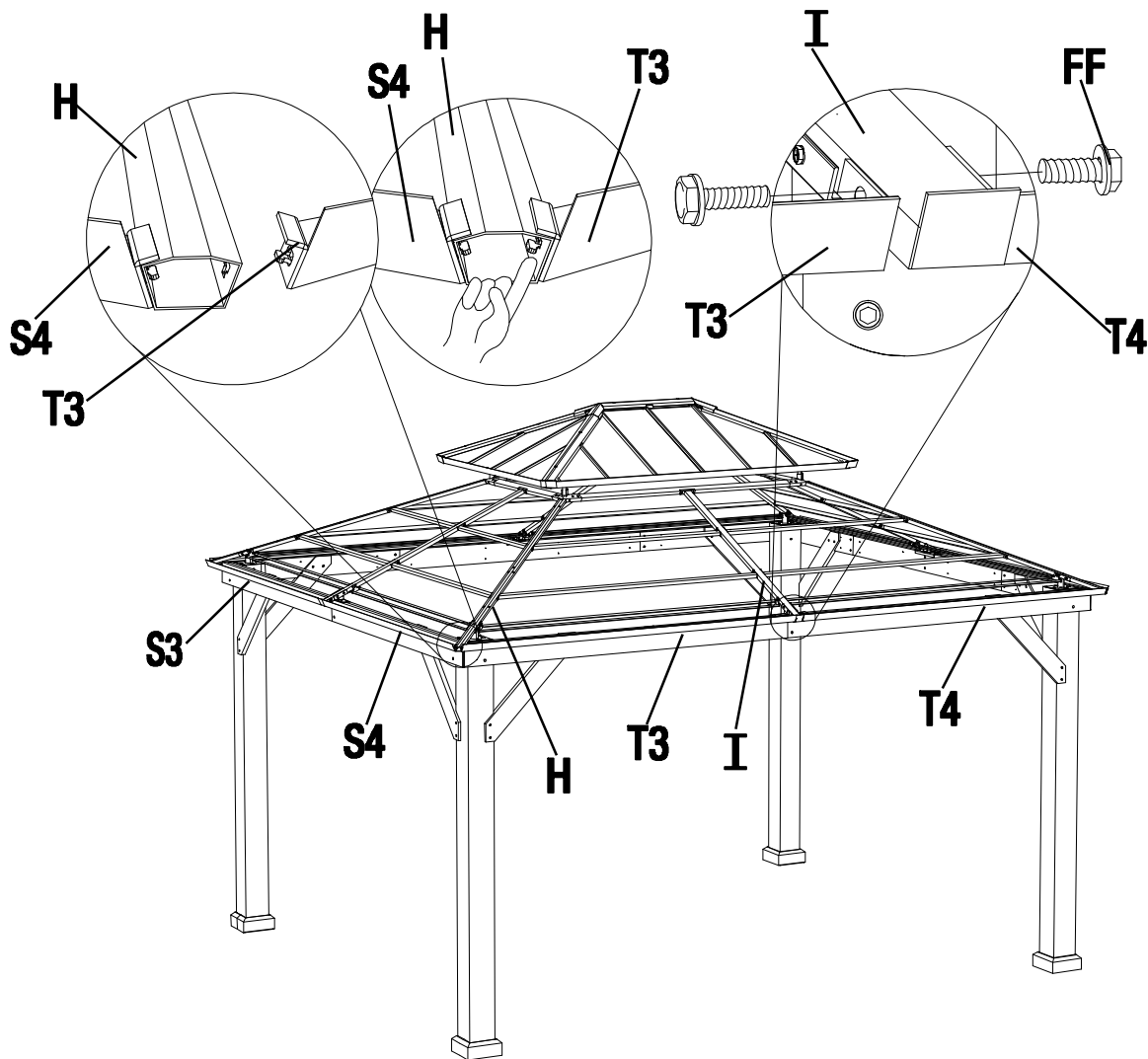
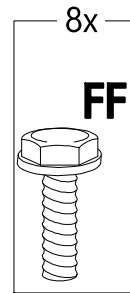
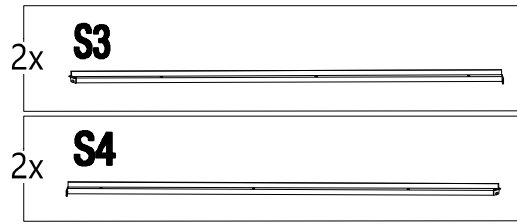
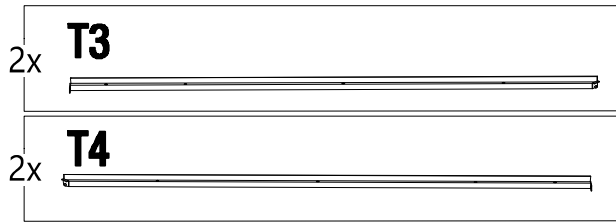
17



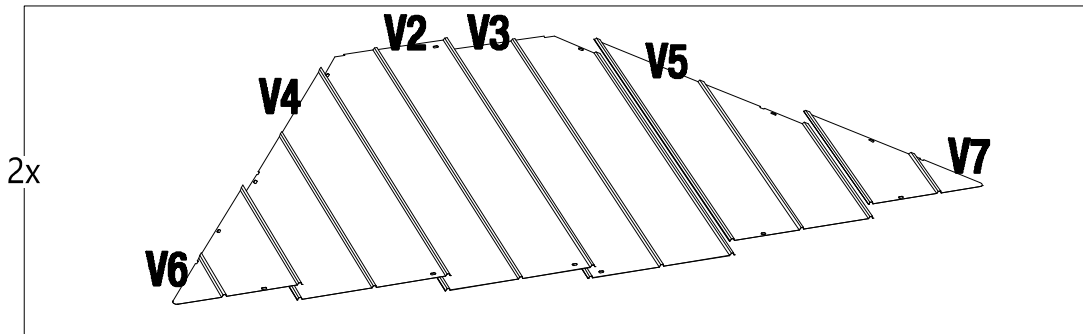
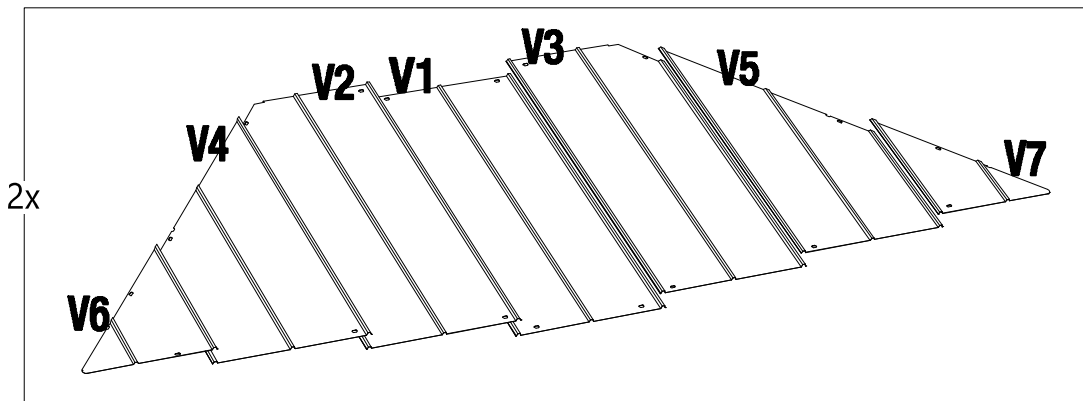
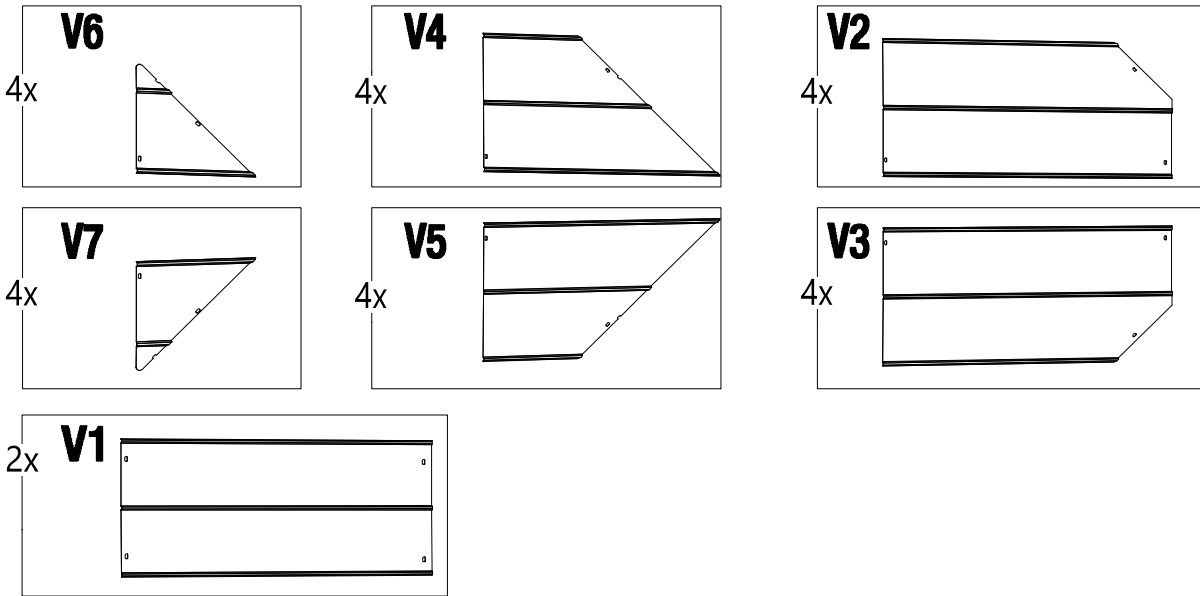
18

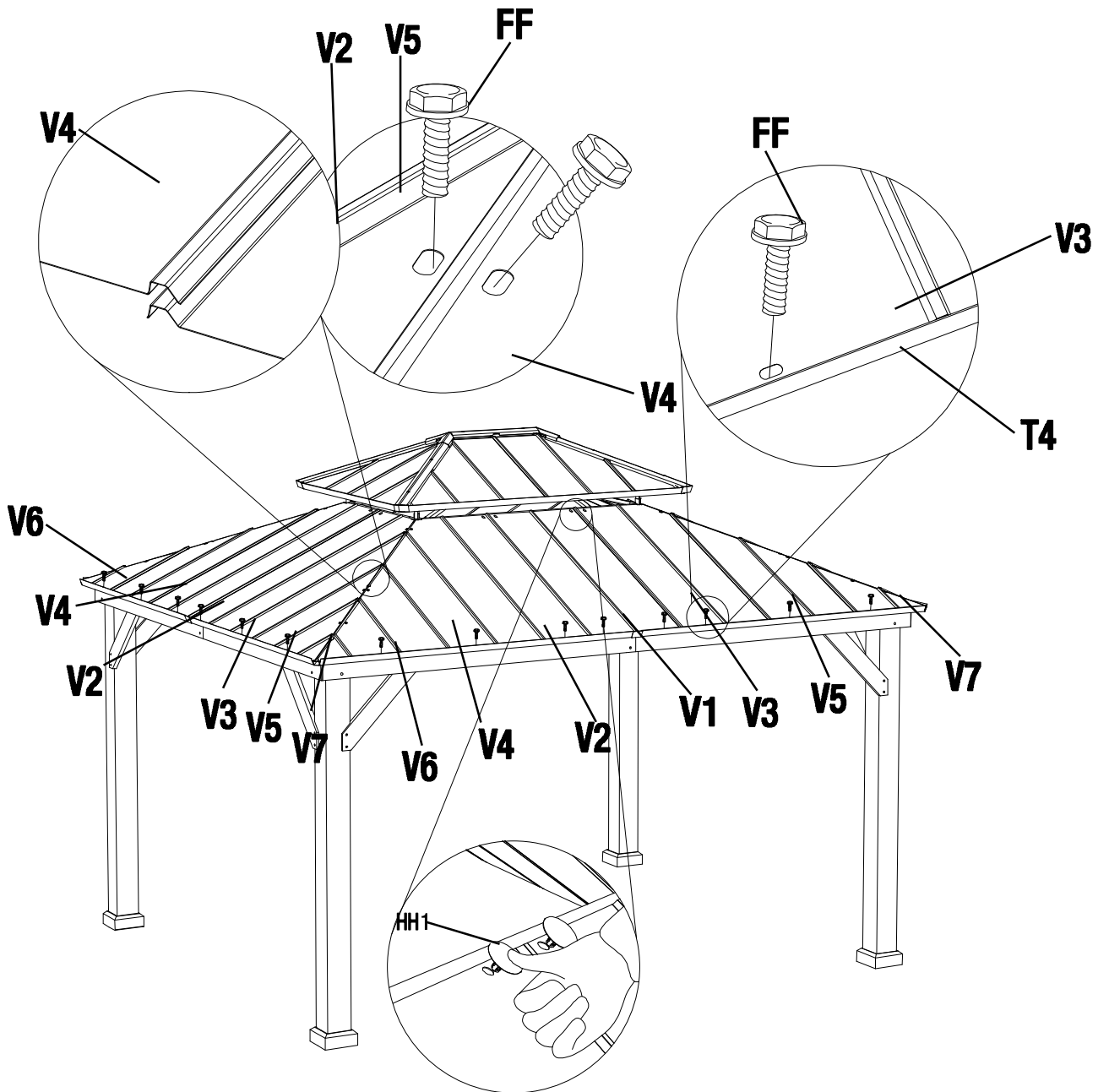
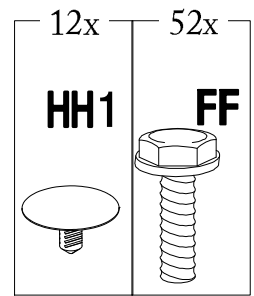


19

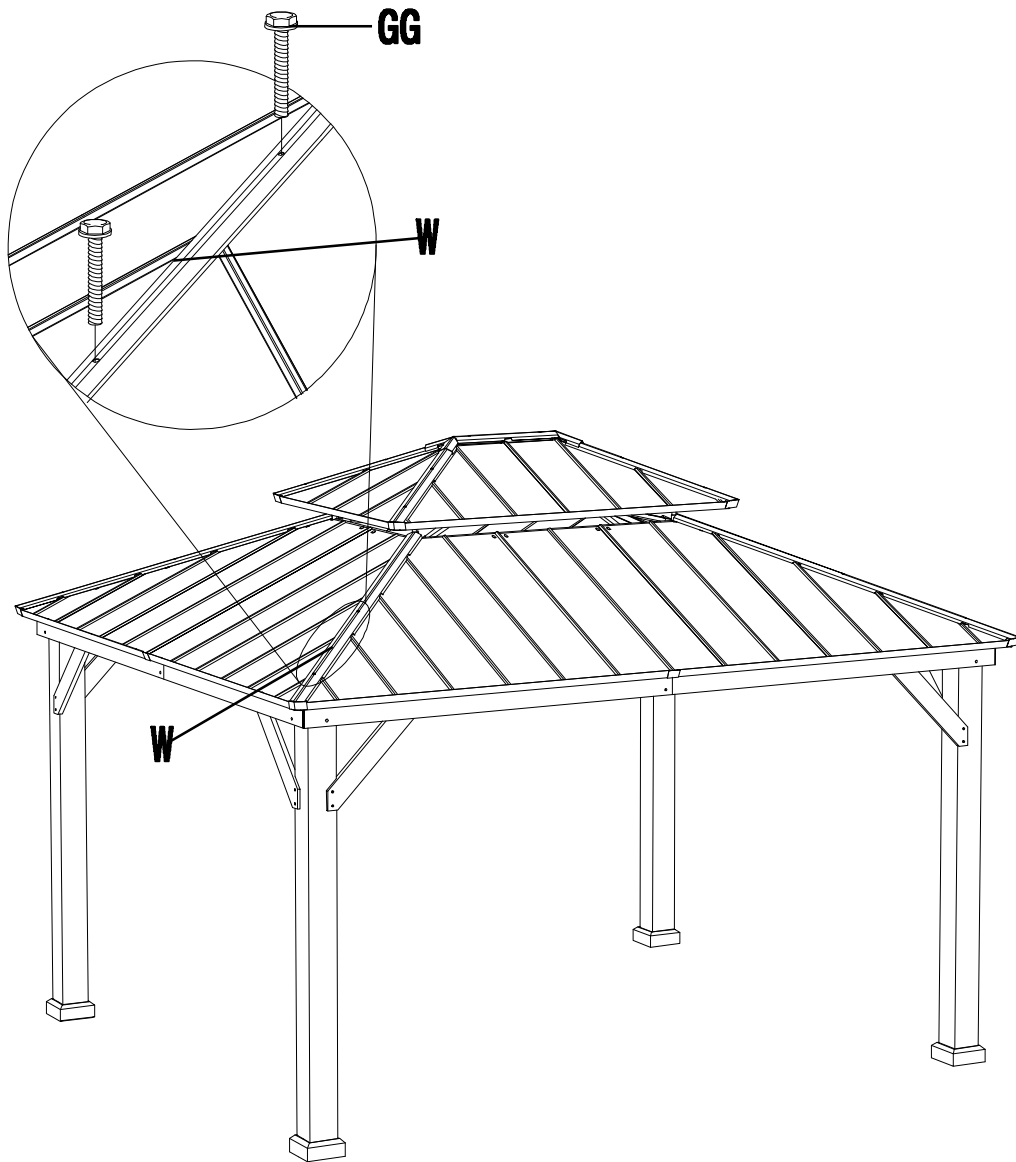
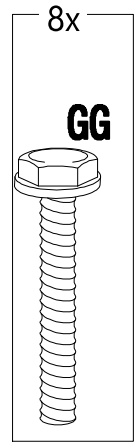
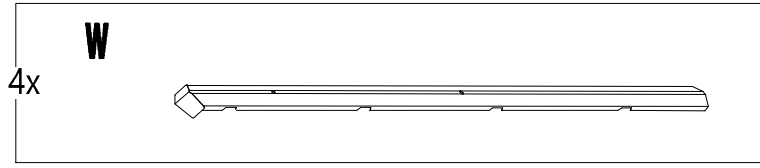


20

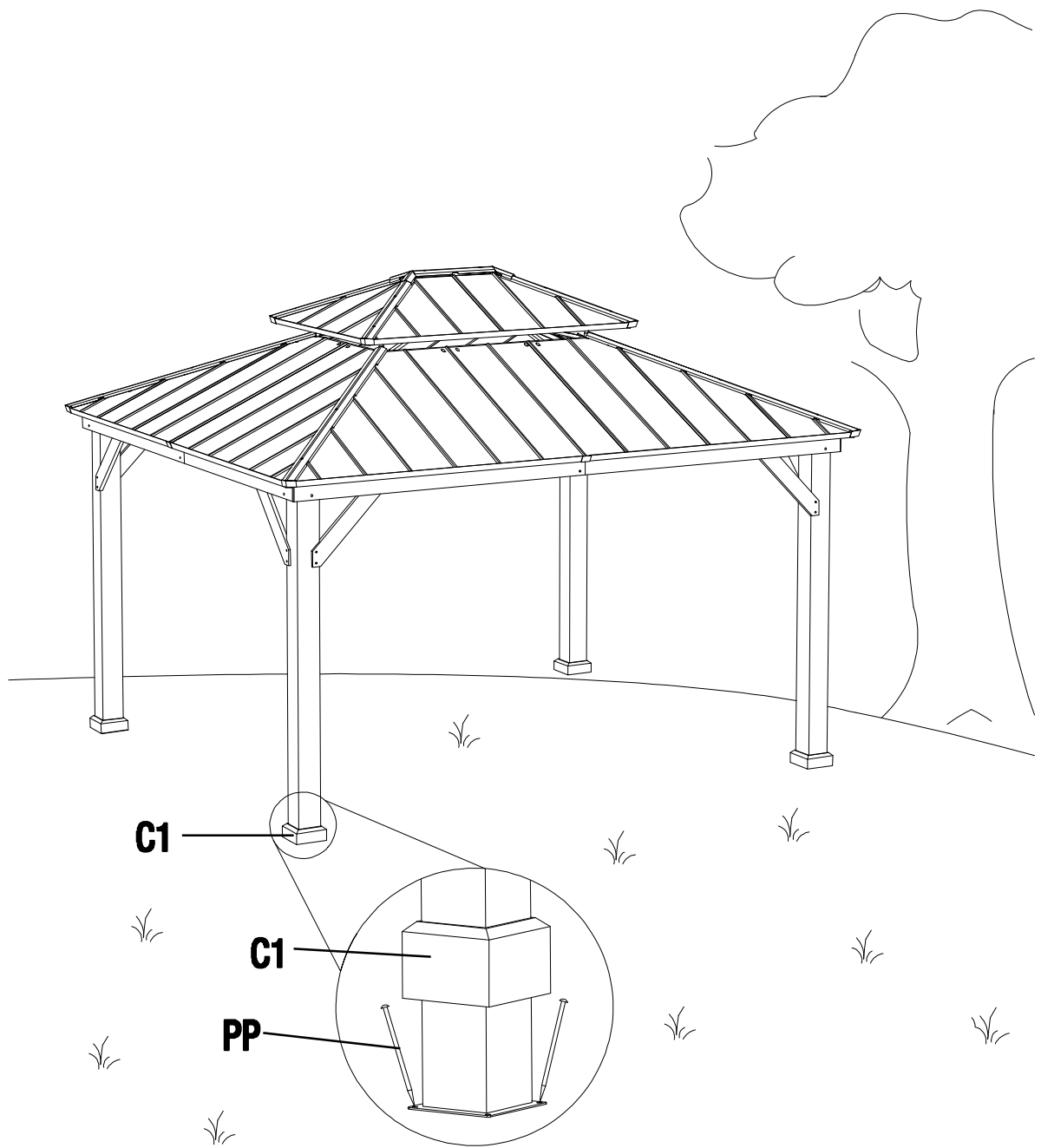
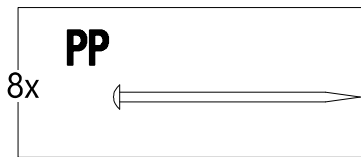




22



23



Care and Maintenance

- Our steel components for garden accessories and furniture are treated with rust inhibiting paint that protects it from rusting. However, due to the nature of steel, surface oxidation (rusting) will occur once these protective coatings are scratched. This is not a defect and thus not covered by the warranty.
- To minimize this condition, we recommend care when assembling & handling the product to prevent scratching the paint. Should any scratching or damage occur, we recommend immediate touch-up with rust inhibiting paint.
- Surface rust can also be easily removed with a very light application of common cooking oil. If surface oxidation (rusting) occurs and if no measure is taken to prevent this, the oxidation may start dripping on to deck or patio and caused damaging stains, which may be difficult to remove. This can be prevented if the above-mentioned measures are taken to keep the product from oxidizing.
- Use damp cloth to wipe off the stains as quickly as possible.
- If necessary, wash with a mild solution of soap and water; rinse thoroughly and dry completely.
- Periodically check and ensure that all bolts are well-tighten during use

Limited Manufacturer's Warranty

Sunjoy Group warrants to the original purchaser that this item is free from defects in workmanship and materials for a period of **1 year** from the date of purchase, provided the item was factory-sealed at the time of purchase and is maintained with care and used only for personal, residential purposes. Should any manufacturing defect arise within this warranty period, Sunjoy Group will replace (at our option) any defective merchandise or parts upon proof of purchase; however, transportation and delivery costs, as well as payments to a third party for assembly or disassembly of the item, remain the responsibility of the purchaser. A purchaser of an "open box," previously-returned, or "clearance" item, as well as original purchasers outside of the warranty period, may obtain replacement parts from Sunjoy Group for products in current production, at nominal cost.

Exclusions:

Items used for commercial, contract, or other non-residential purposes, or items damaged due to acts of nature, vandalism, misuse, or improper assembly are not covered. Corrosion or rusting of hardware is not covered. Proof of purchase (dated register receipt) is required for warranty claims. Warranty is to the original purchaser and is non-transferable. Any replacement of warranted items will be in the original style and color, or a similar style and color if the original is unavailable or has been discontinued. As some states do not allow exclusions or limitations on an implied warranty, the above exclusions and limitations may not apply. This warranty gives you specific rights, and you may also have other rights, which vary from state to state.