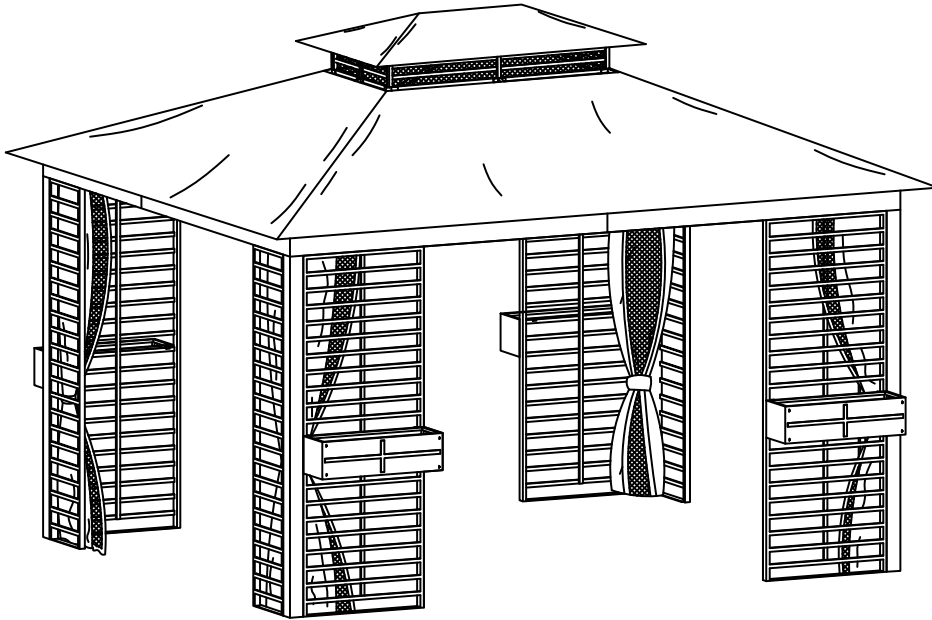


ASSEMBLY INSTRUCTION
Item/Article #: A101004401



WE HAVE YOU IN MIND, LET US SERVE YOU!
Nous pensons en vous, laissez nous vous aider!

Questions? Issues? / Questions? Problèmes?

CONTACT US / Contactez-nous

24 hours / 7 days a week
24 heures / 7 jours par semaine

Warranty Parts
Liste des pièces s us
garantie

www.sunjoyonline.com



customer.care@sunjoygroup.com

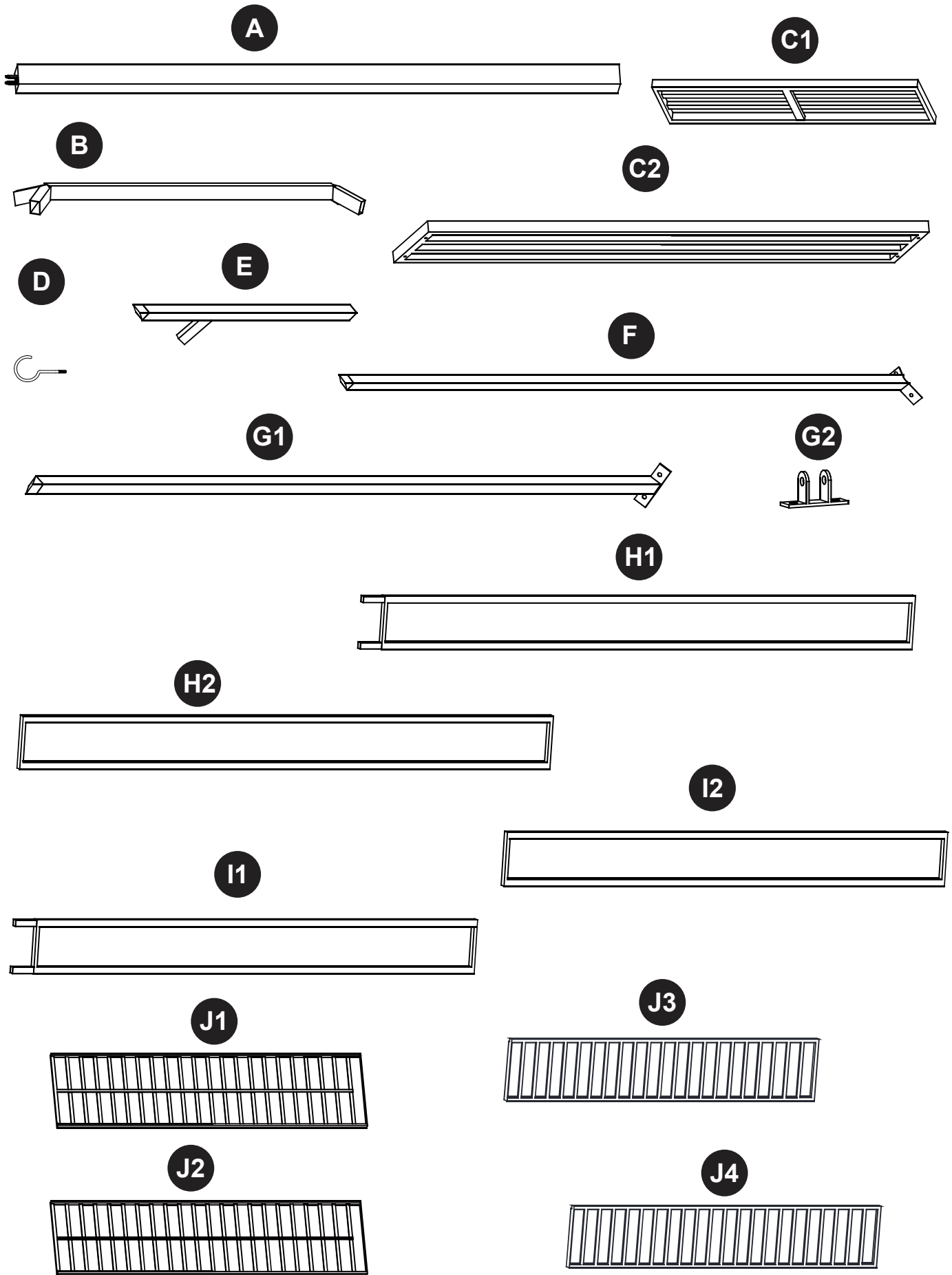


A10100440122

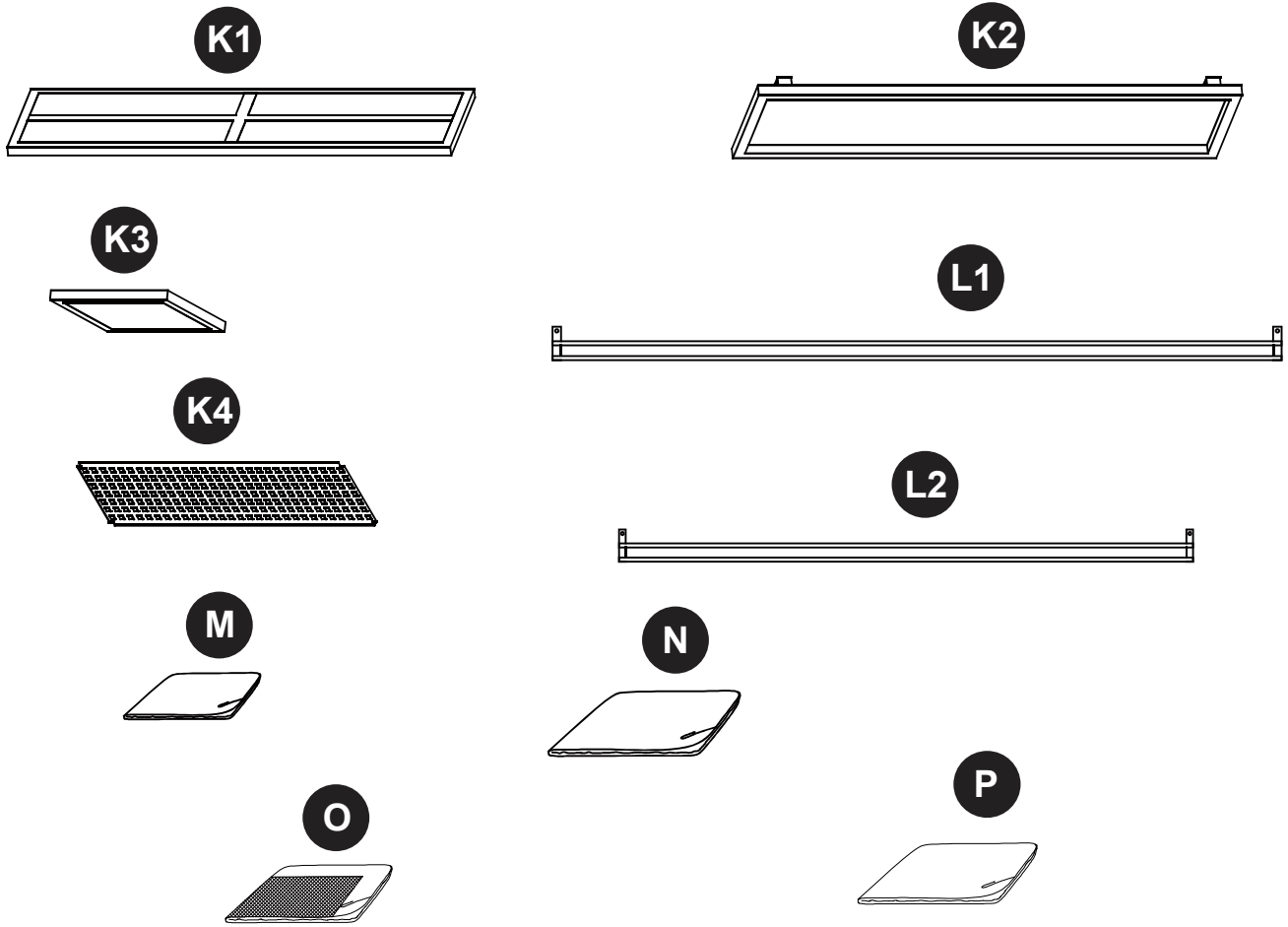
Country of Origin: China

Production Number: XXXXXXXXXX

PACKAGE CONTENTS



PACKAGE CONTENTS

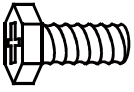


| PART | DESCRIPTION | PART # | QUANTITY |
|------|-------------------------|------------|----------|
| A | Post | P000200382 | 4 |
| B | Small Top Connector | P000601180 | 1 |
| C1 | Top Frame Short Panel | P000500979 | 2 |
| C2 | Top Frame Long Panel | P000500980 | 2 |
| D | Hook | P005800001 | 1 |
| E | Small Roof Beam | P000601181 | 4 |
| F | Big Roof Sloped Beam | P000601182 | 4 |
| G1 | Big Roof Middle Beam | P000601183 | 4 |
| G2 | Middle Beam Connector | P000500981 | 4 |
| H1 | Long-Side Long Screen | P000400776 | 2 |
| H2 | Long-Side Short Screen | P000400777 | 2 |
| I1 | Short-Side Long Screen | P000400778 | 2 |
| I2 | Short-Side Short Screen | P000400779 | 2 |
| J1 | Big Vertical Screen 1 | P006300067 | 2 |

| PART | DESCRIPTION | PART # | QUANTITY |
|------|--------------------------|------------|----------|
| J2 | Big Vertical Screen 2 | P006300068 | 2 |
| J3 | Small Vertical Screen 1 | P006300069 | 2 |
| J4 | Small Vertical Screen 2 | P006300070 | 2 |
| K1 | Flower Basket Panel | P003800306 | 4 |
| K2 | Flower Basket Rear Panel | P004000173 | 4 |
| K3 | Flower Basket Side Panel | P003800307 | 8 |
| K4 | Basket Inner Panel | P004300039 | 4 |
| L1 | Long Netting Tube | P005700581 | 4 |
| L2 | Short Netting Tube | P005700582 | 4 |
| M | Small Canopy | P001100471 | 1 |
| N | Large Canopy | P001100470 | 1 |
| O | Mosquito Net | P001200183 | 1 |
| P | Curtain | P001300090 | 1 |

HARDWARE CONTENTS

AA



M6 x 15 Bolt

QTY: 40 + 2 spare

BB



M6 Big Flat Washer

QTY: 132 + 7 spare

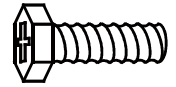
CC



M6 Spring Washer

QTY: 60 + 3 spare

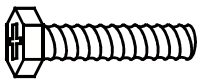
DD



M6 x 25 Bolt

QTY: 24 + 2 spare

EE



M6 x 35 Bolt

QTY: 44 + 3 spare

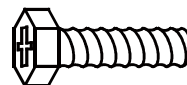
FF



M6 Nut

QTY: 16 + 1 spare

GG



M6 x 30 Bolt

QTY: 8 + 1 spare

HH



Ring

QTY: 104 + 6 spare

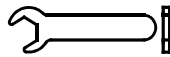
II



Ø6 x 230 Stake

QTY: 12

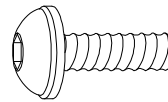
Z



M6 Wrench

QTY: 2

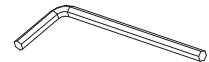
KK



M6 x 25 Bolt

QTY: 32 + 2 spare

Z1



M6 Allen Key

QTY: 1

| PART | DESCRIPTION | PART # | QUANTITY |
|------|--------------------|------------|----------|
| AA | M6 x 15 Bolt | H010020011 | 40+2 |
| BB | M6 Big Flat Washer | H050030001 | 132+7 |
| CC | M6 Spring Washer | H050020017 | 60+3 |
| DD | M6 x 25 Bolt | H010020015 | 24+2 |
| EE | M6 x 35 Bolt | H010020013 | 44+3 |
| FF | M6 Nut | H040010004 | 16+1 |
| GG | M6 x 30 Bolt | H010020023 | 8+1 |
| HH | Ring | P005100264 | 104+6 |
| II | Φ6 x 230 Stake | H070010005 | 12 |
| Z | M6 Wrench | H090010017 | 2 |
| KK | M6 x 25 Bolt | H010060016 | 32+2 |
| Z1 | M6 Allen key | H090030002 | 1 |

Important Safety Instructions



Warning! To reduce the risk of serious injury, read the following safety instructions before assembling and using the gazebo.

Please check with your local governing authority/local municipal codes regarding installation of structures before assembly.

Caution! Proper placement of your gazebo is essential.

Do not place the product underneath electrical lines.

Keep children away during assembly.

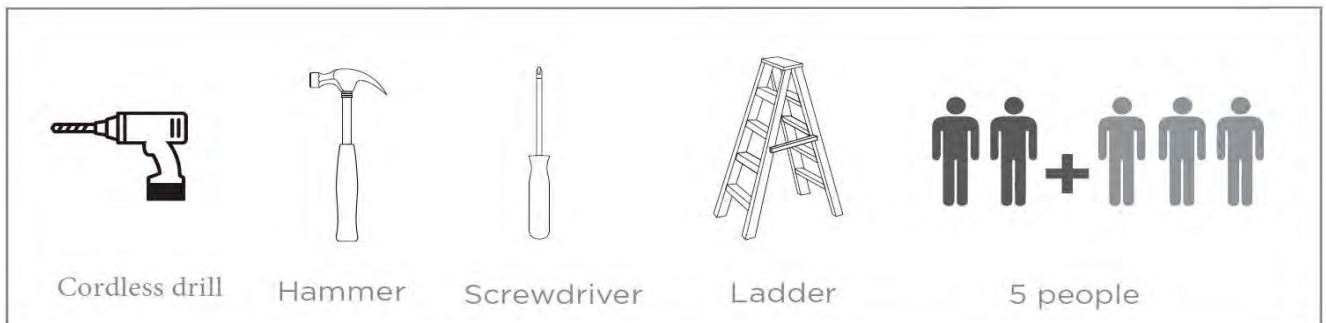
This product contains small parts which can be swallowed by children.

Keep fingers away from the places where they can be pinched or trapped. Do not attempt to assemble the gazebo if any parts are missing.

- This product is intended for domestic outdoor use only.
- The product should be placed on flat, horizontal ground.
- Ensure enough clearance around the product. Before assembling the product, find level ground not less than 6' (1.8 m) away from any structures or obstructions, such as fences, garages, houses, overhanging branches, laundry lines, or electrical wires.
- This gazebo is not to be regarded as part of a building/house structure. The gazebo is to be anchored onto the ground for added safety. Do not assemble the gazebo onto soil/earth ground. It is best advisable to have the gazebo built onto a wooden deck or concrete ground for stability. If it is to be build onto a wooden deck/ground, do ensure that the wooden deck/ground has a strong foundation. It is advisable to use appropriate floor plugs (not provided) to anchor the gazebo onto the wooden/concrete ground.
- Some structures may require two or more people to install safely. Check for underground utilities before digging or driving stakes into the ground.
- During installation, follow all safety warnings provided with your tools, and use safety glasses.
- In case you set up more than one gazebo, keep a minimum distance of 10' (3 m) between the gazebos.
- Any assembly or maintenance of the product must be carried out by adults only.
- Arrange necessary manpower when assembling or moving the product.
- Some parts may contain sharp edges. Wear protective gloves if necessary.
- Keep children and pets away while setting up the gazebo.
- Check all nuts and bolts periodically to ensure bolts/nuts are tightened.
- Repairing and replacing parts should be done by a qualified technician.
- This gazebo is intended for decorative and sunshade purposes only, and it is not designed to withstand harsh weather, including high winds, rain, and snow.
- Do not light any fires inside or near the product!
- Stay calm if fire breaks out. Search for the nearest exit. Do not return to the gazebo before firemen allow you to do so.
- Do not hang heavy weights on the roof frame.
- Do not climb onto the roof of the gazebo. Falling off the gazebo can result in serious injury.
- Retain the original packaging to store the gazebo.

IMPORTANT:

- Please read and understand this manual before any assembly. Before beginning assembly of product, make sure all parts are present. Compare parts with packaging contents list.
- When assembling wooden parts, do not overtorque the bolts to avoid splitting the wood. See image illustration.
- Place all parts from the box in a cleared area and position them on the floor in front of you.
- Remove all packing materials and place them back into the box. Do not dispose of the packing materials until assembly is complete.
- Needed for assembly: (The following tools are not included)

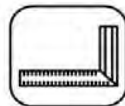


This identifies information that requires special attention. Improper assembly could lead to an unsafe or dangerous condition.



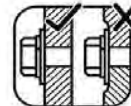
Use Level

Check that set or assembly is properly level before proceeding.



Square Assembly

Check that assembly is square before tightening bolts.



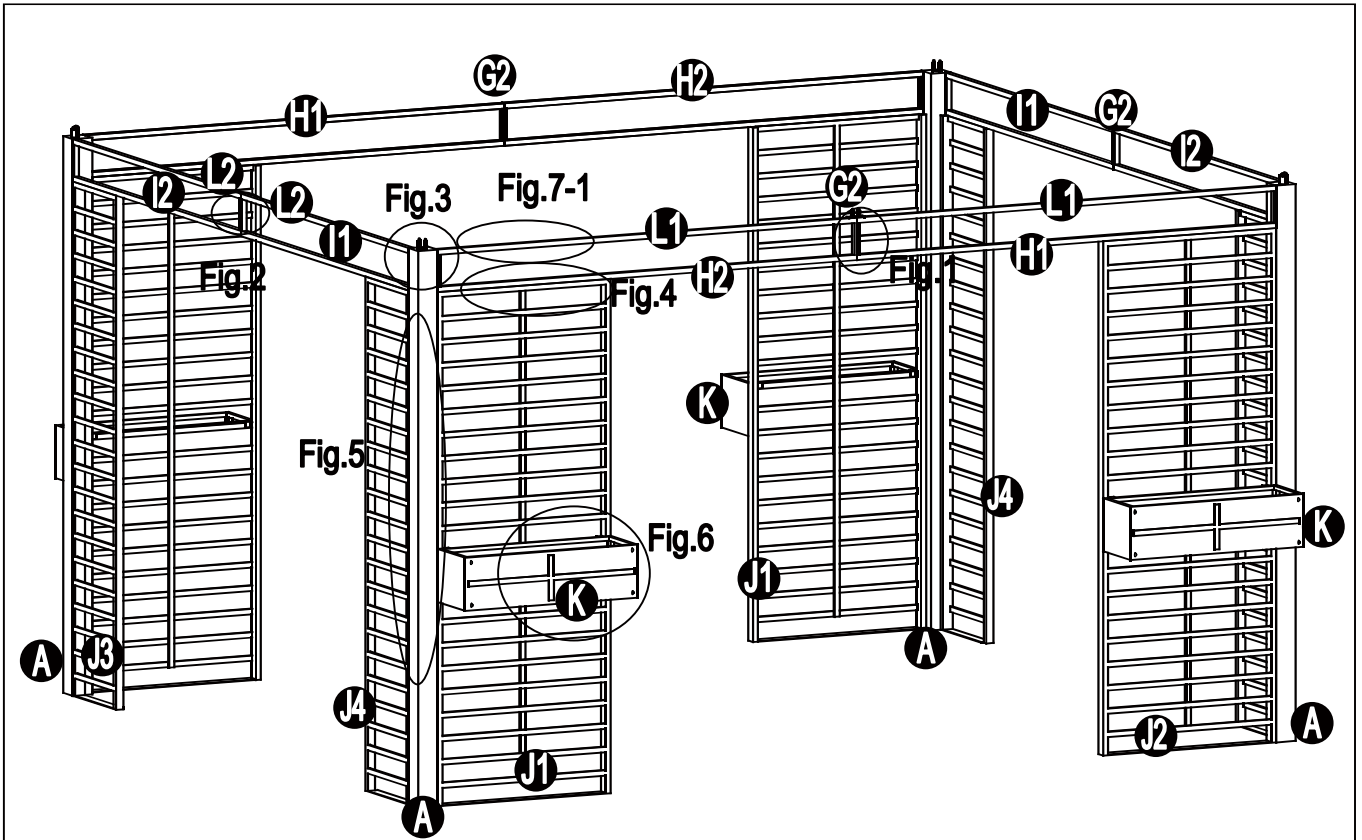
Tighten Bolts

Do not overtorque mounting bolts. Over-tightening may cause the wood to crack creating splinters and other structural damage.

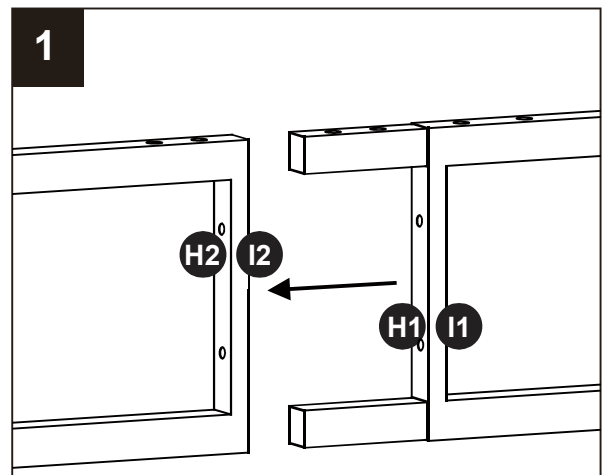


Measure Distance

ASSEMBLY INSTRUCTIONS

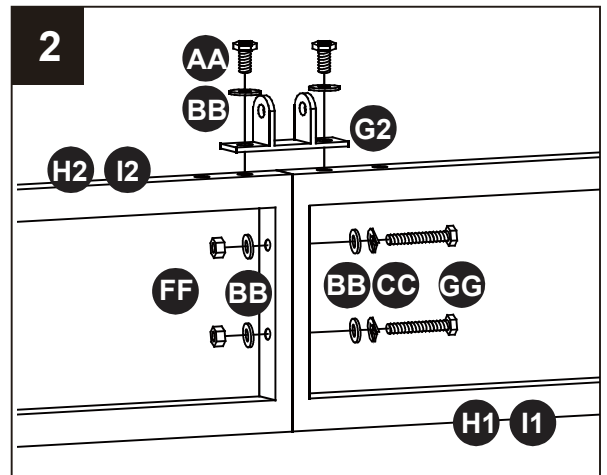


1. Insert the long-side long screen (H1) into the long-side short screen (H2). Repeat this step for short-side screens (I1/I2).

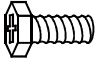
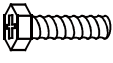



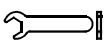


ASSEMBLY INSTRUCTIONS

2. Connect the short-side long screens (I1) with short-side short screens (I2) using bolts (GG), spring washers (CC), flat washers (BB) and nuts (FF) as fig. shown, then attach the middle beam connector (G2) to the short-side screen assemblies (I1/I2) with bolts (AA) and flat washers (BB), tighten with wrench (Z). Repeat this step for long-side screen assemblies (H1/H2).

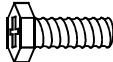
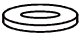

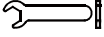


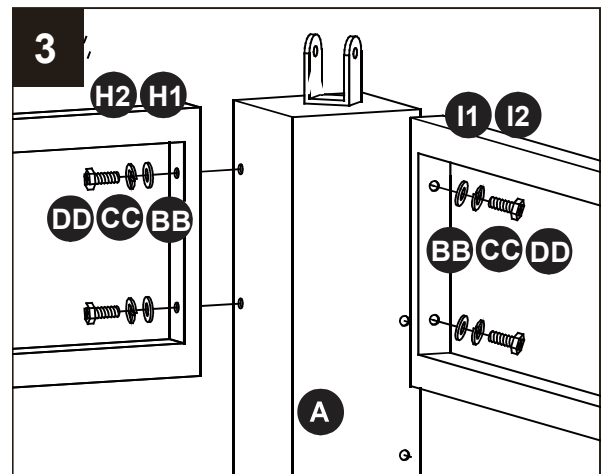
Hardware Used

| | | | |
|-----------|------------------|---|------|
| AA | M6 x 15 Bolt |  | x 8 |
| GG | M6 x 30 Bolt |  | x 8 |
| BB | M6 Flat Washer |  | x 24 |
| CC | M6 Spring Washer |  | x 8 |
| FF | M6 Nut |  | x 8 |
| Z | M6 Wrench |  | x 1 |

3. Attach the long-side short screens (H2) and the short-side long screens (I1) to the posts (A) with bolts (DD), spring washers (CC) and flat washers (BB), tighten with wrench (Z). Repeat this step for the long-side long screens (H1) and the short-side short screens (I2)

Hardware Used




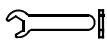
| | | | |
|-----------|------------------|---|------|
| DD | M6 x 25 Bolt |  | x 16 |
| BB | M6 Flat Washer |  | x 16 |
| CC | M6 Spring Washer |  | x 16 |
| Z | M6 Wrench |  | x 1 |

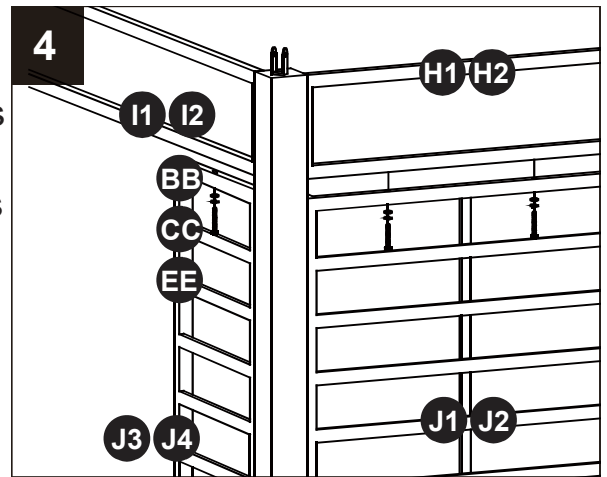


ASSEMBLY INSTRUCTIONS

4. Attach the big vertical screens (J1/J2) to the long-side screens (H2/H1) with bolts (EE), spring washers (CC) and flat washers (BB), tighten with wrench (Z). Repeat this step for attaching the small vertical screens (J3/J4) to the short-side screens (I2/I1).




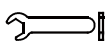
Hardware Used

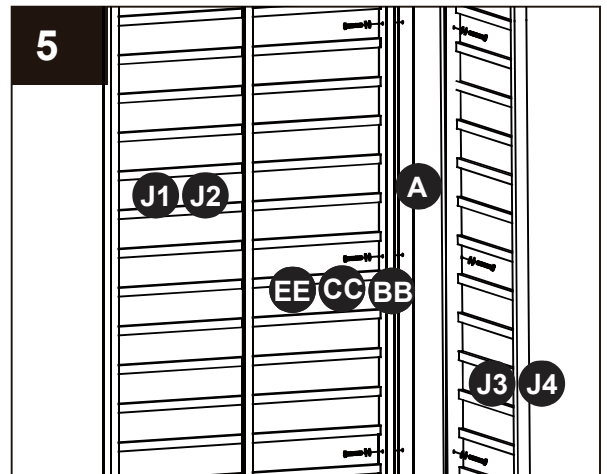
- EE** M6 x 35 Bolt  x 12
- BB** M6 Flat Washer  x 12
- CC** M6 Spring Washer  x 12
- Z** M6 Wrench  x 1



5. Attach the vertical screens (J1/J2/J3/J4) to the posts (A) with bolts (EE), spring washers (CC) and flat washers (BB), tighten with wrench (Z).

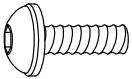

Hardware Used

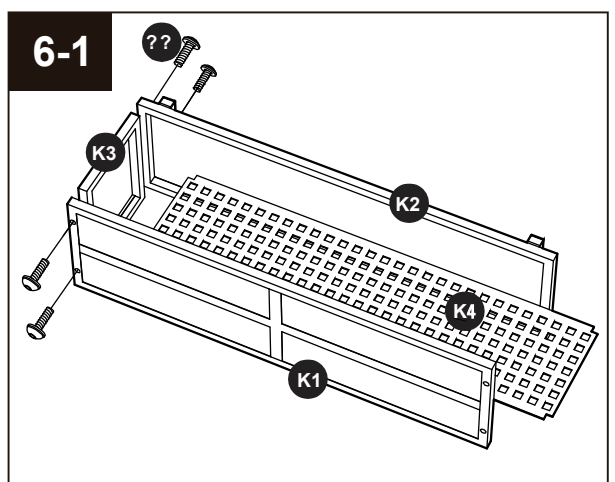
- EE** M6 x 35 Bolt  x 24
- BB** M6 Flat Washer  x 24
- CC** M6 Spring Washer  x 24
- Z** M6 Wrench  x 1



6-1. Attach the flower basket side panel (K3) to the flower basket panel (K1) and flower basket rear panel (K2) with bolts (KK), tighten with allen key (Z1). Then put the flower basket inner panel (K4) into the flower basket.

Hardware Used

- KK** M6 x 25 Bolt  x 16
- Z1** M6 Allen Key  x 1




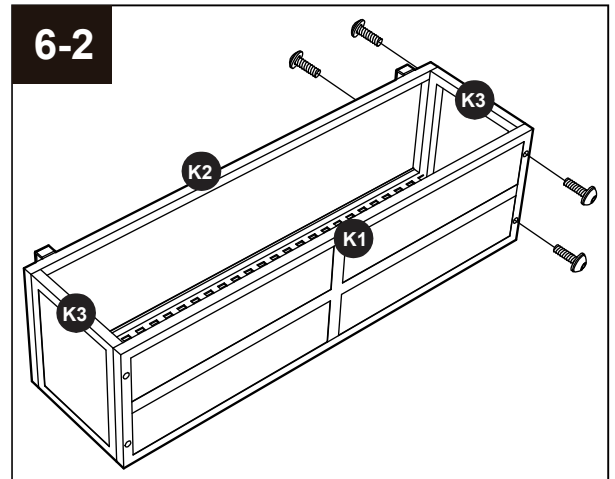
ASSEMBLY INSTRUCTIONS

6-2. Attach another flower basket side panel (K3) to the flower basket panel (K1) and flower basket rear panel (K2) with bolts (KK) , tighten with allen key (Z1).

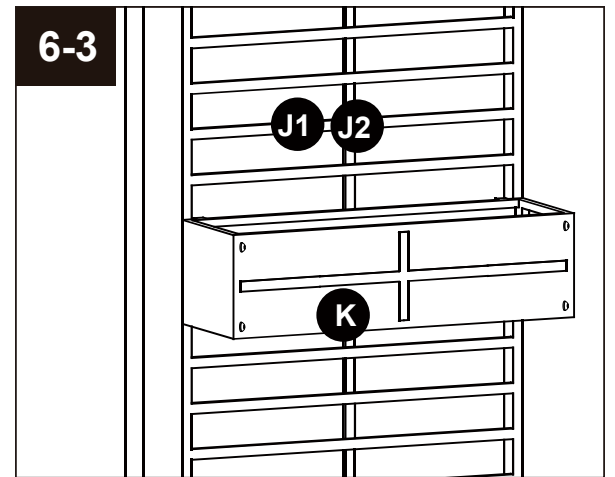
Hardware Used

KK M6 x 25 Bolt  x 16

Z1 M6 Allen Key  x 1




6-3. Hang the assembled flower basket to the vertical screens (J1/J2).



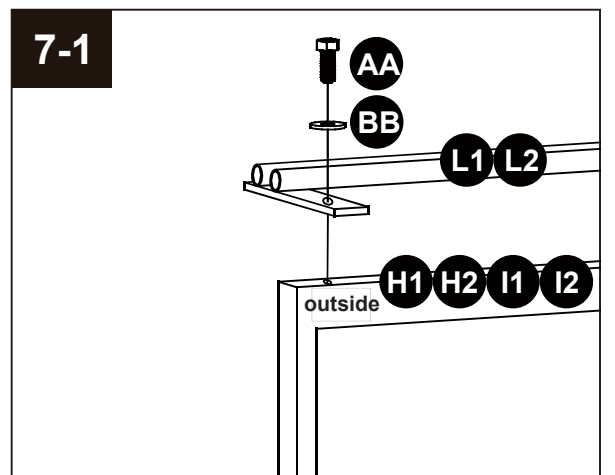
7-1. Attach the long netting tubes (L1) to the long-side screens (H1/H2), and short netting tubes (L2) to the short-side screens (I1/I2) with bolts (AA) and flat washers (BB), tighten with wrench (Z).

Hardware Used

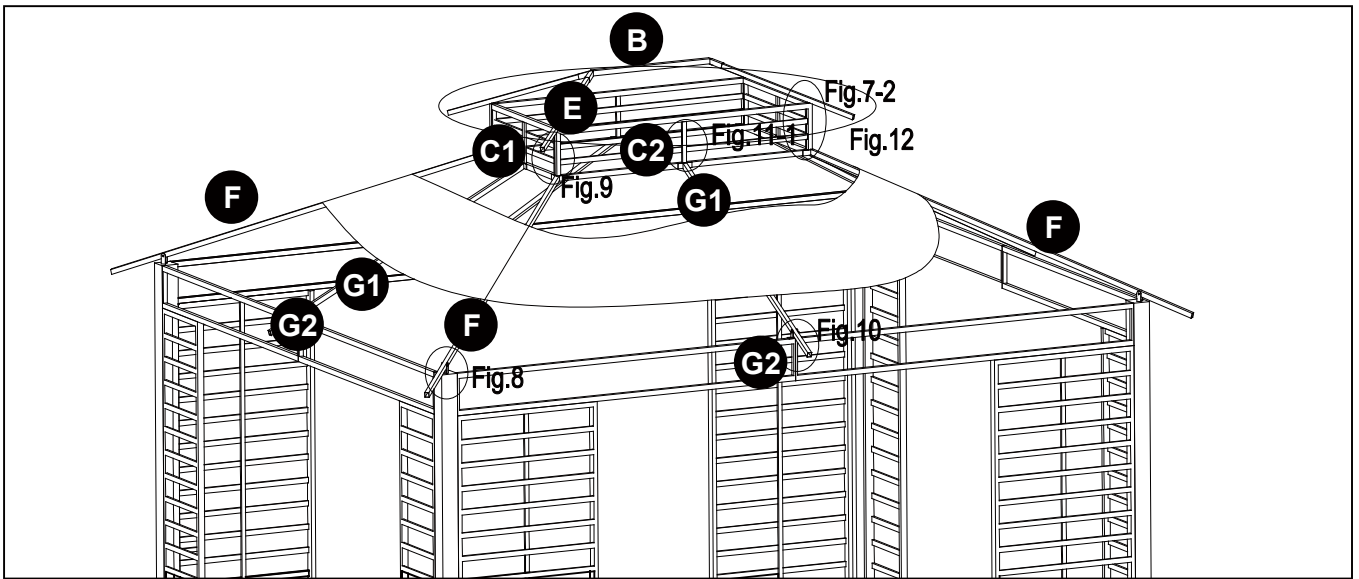
AA M6 x 15 Bolt  x 16

BB M6 Flat Washer  x 16

Z M6 Wrench  x 1

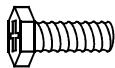

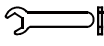


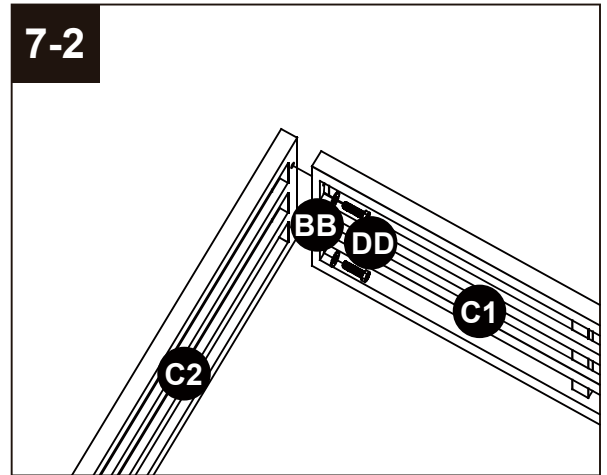
ASSEMBLY INSTRUCTIONS



7-2. Connect the top frame short panels (C1) and top frame long panels (C2) using bolts (DD) and flat washers (BB), tighten with wrench (Z).

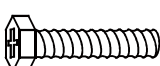

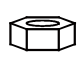
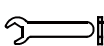
Hardware Used

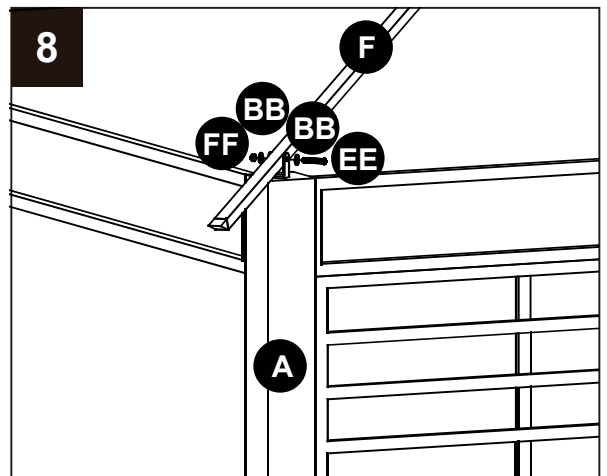
| | | | |
|-----------|----------------|---|-----|
| DD | M6 x 25 Bolt |  | x 8 |
| BB | M6 Flat Washer |  | x 8 |
| Z | M6 Wrench |  | x 1 |



8. Attach the big roof sloped beams (F) to posts (A) using bolts (EE), nuts (FF) and flat washers (BB), tighten with wrench (Z).

Hardware Used

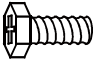

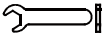
| | | | |
|-----------|----------------|---|-----|
| EE | M6 x 35 Bolt |  | x 4 |
| BB | M6 Flat Washer |  | x 8 |
| FF | M6 Nut |  | x 4 |
| Z | M6 Wrench |  | x 2 |

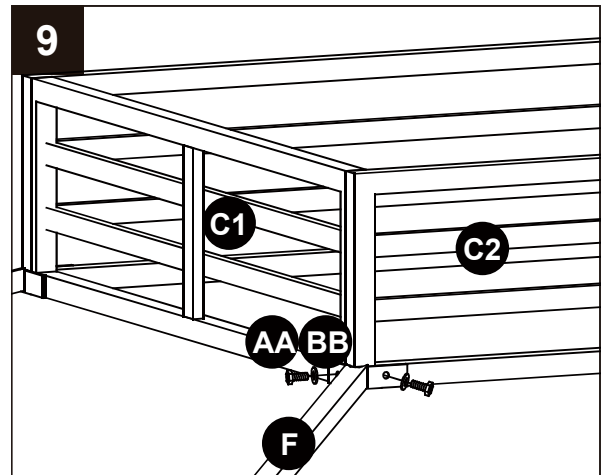


ASSEMBLY INSTRUCTIONS

9. Attach the other end of the big roof sloped beams (F) to the big top frame using bolts (AA) and washers (BB), tighten with wrench (Z).

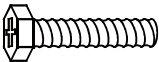


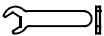
Hardware Used

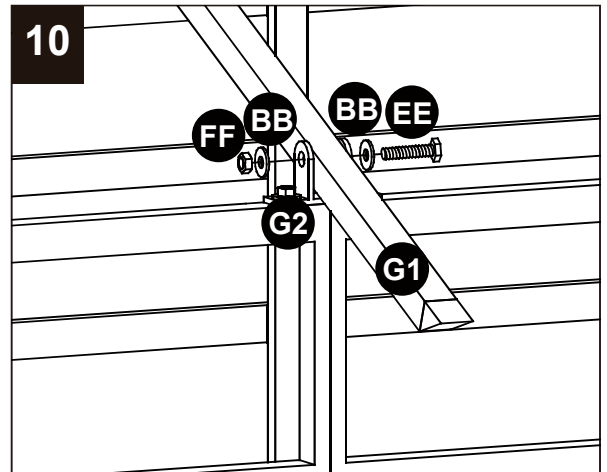
| | | | |
|-----------|----------------|---|-----|
| AA | M6 x 15 Bolt |  | x 8 |
| BB | M6 Flat Washer |  | x 8 |
| Z | M6 Wrench |  | x 1 |



10. Attach the big roof middle beams (G1) to the middle beam connectors (G2) using bolts (EE), nuts (FF) and flat washers (BB), tighten with wrench (Z).

Hardware Used

| | | | |
|-----------|----------------|---|-----|
| EE | M6 x 35 Bolt |  | x 4 |
| BB | M6 Flat Washer |  | x 8 |
| FF | M6 Nut |  | x 4 |
| Z | M6 Wrench |  | x 2 |

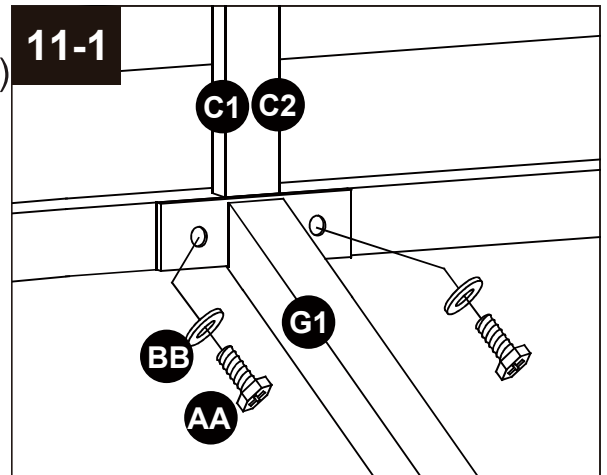


ASSEMBLY INSTRUCTIONS

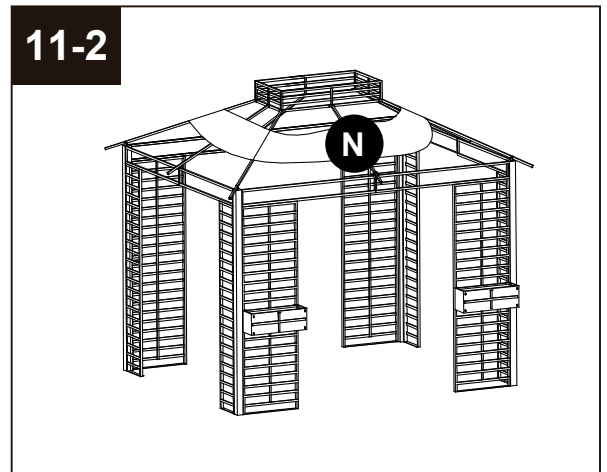
11-1. Attach the other end of middle beams (G1) to the top frame long panels (C1/C2) using bolts (AA) and flat washers (BB), tighten with wrench (Z).

Hardware Used

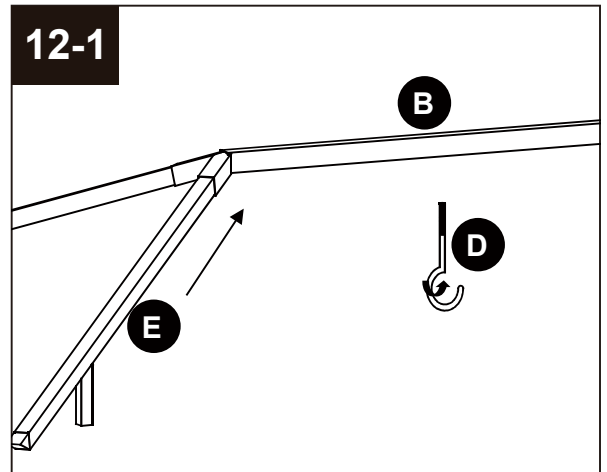
- | | | | |
|-----------|----------------|---|-----|
| AA | M6 x 15 Bolt |  | x 8 |
| BB | M6 Flat Washer |  | x 8 |
| Z | M6 Wrench |  | x 1 |



11-2. Place large canopy (N) onto the big top assembly, but do not attach it yet.

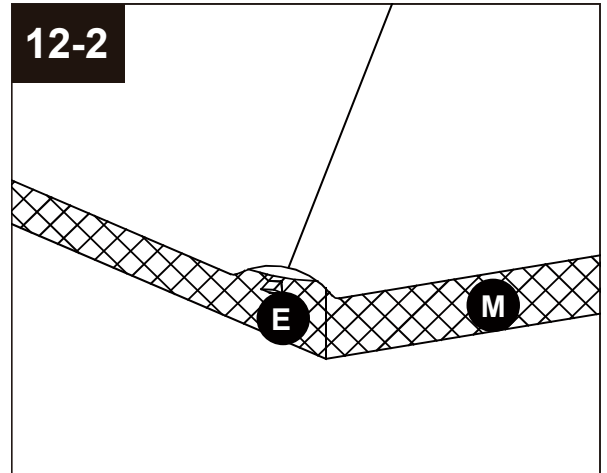


12-1. Insert the small roof beams (E) into the small top connector (B) and attach the hook (D).

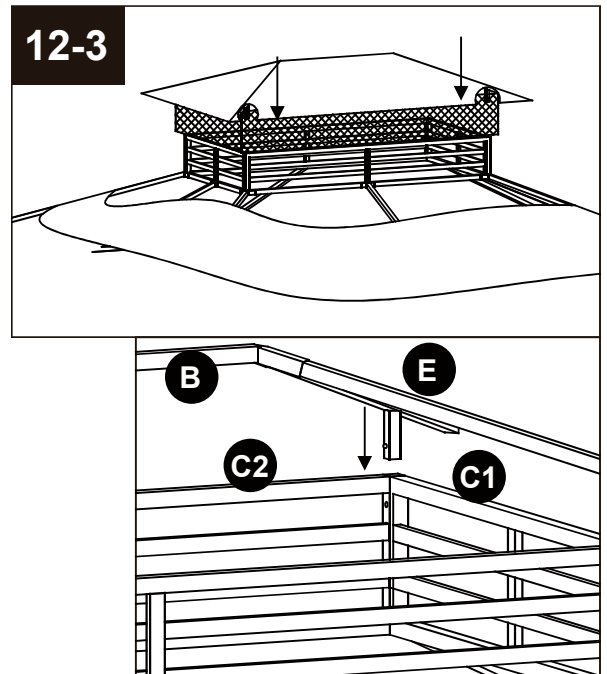


ASSEMBLY INSTRUCTIONS

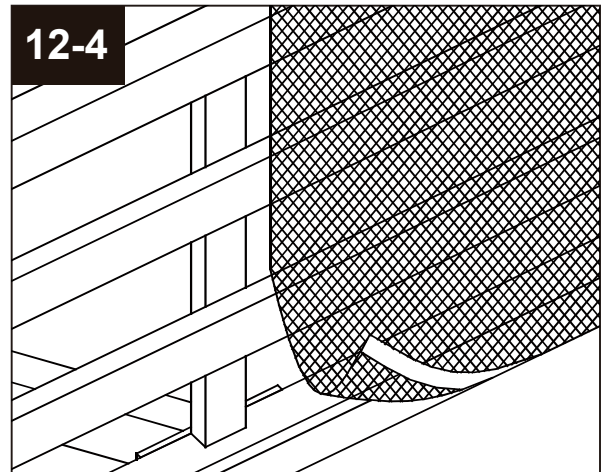
12-2. Place small canopy (M) on small top, then attach four corners of small canopy to small roof beams (E).



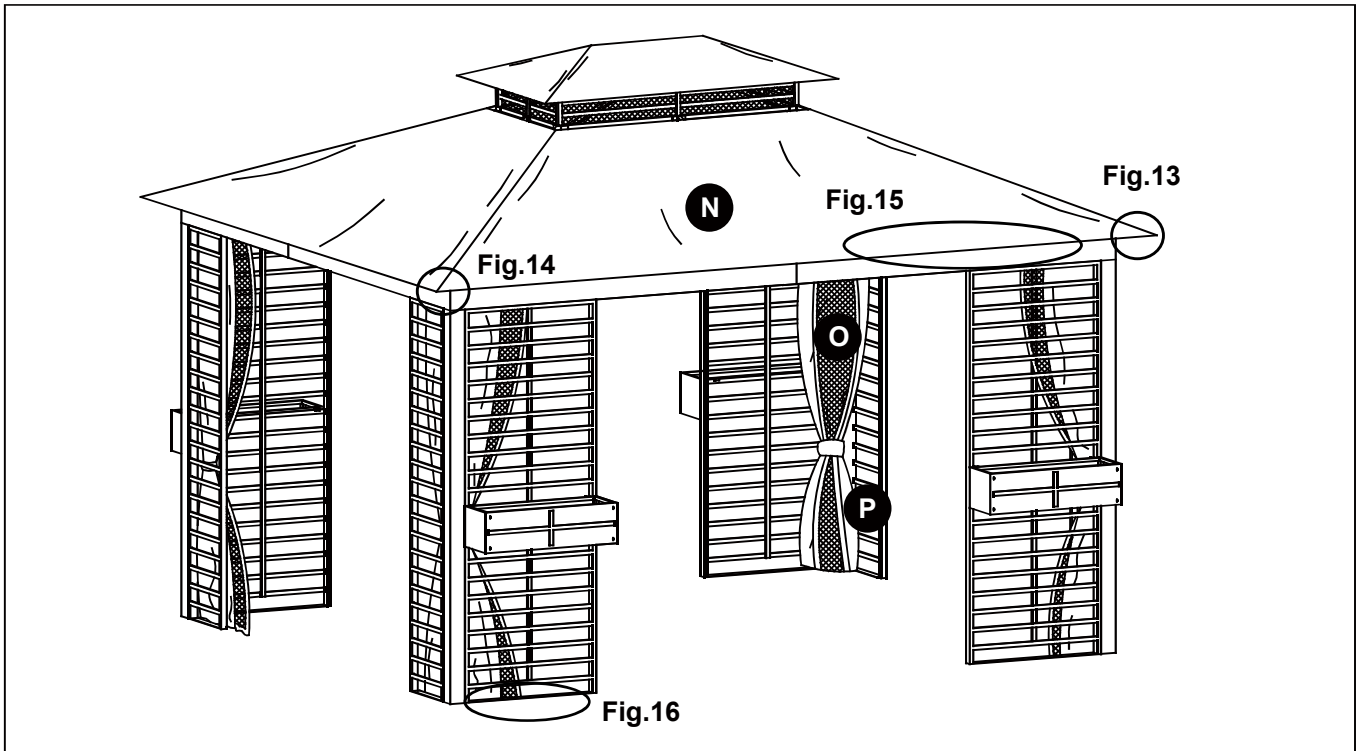
12-3. Attach small top assembly by inserting the tubes of small roof beams (E) into the big top frame.



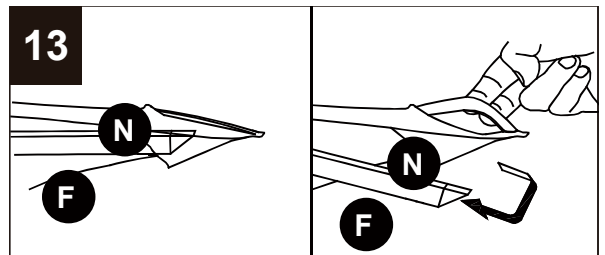
12-4. Secure the magic tape on the small roof netting with the magic tape on the big top frame to avoid the wind lift the netting.



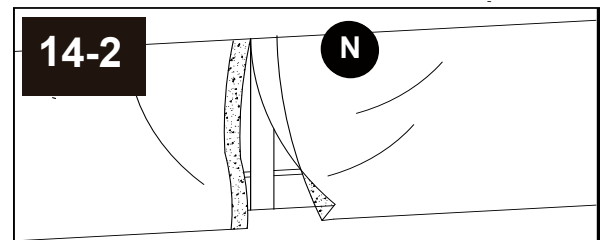
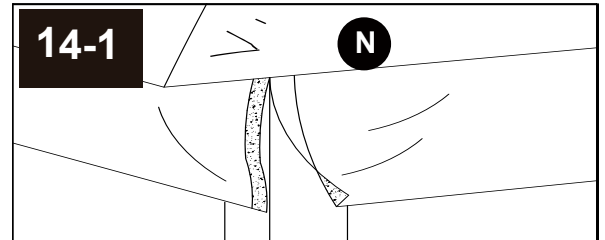
ASSEMBLY INSTRUCTIONS



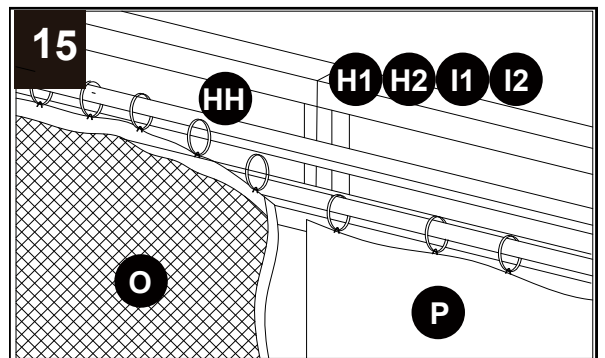
13. Spread the large canopy (N) and attach corners onto the end of big roof sloped beams (F).



14. Secure the magic tapes on the canopy corners and mid-points as figures 14-1 and 14-2 shown.



15. Hang the mosquito net (O) and curtain (P) onto the netting tubes with rings (HH).



Hardware Used

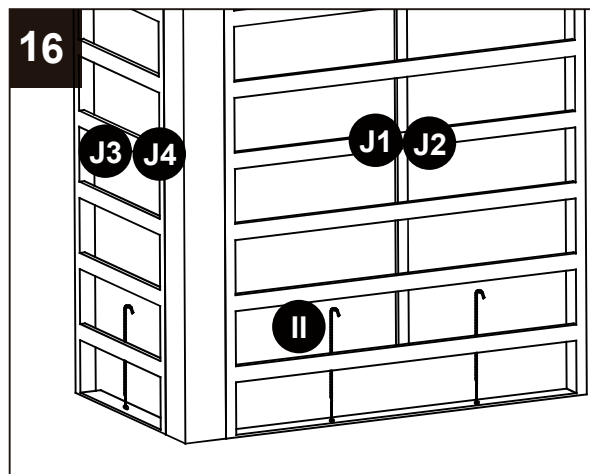
HH Ring  x 104

ASSEMBLY INSTRUCTIONS

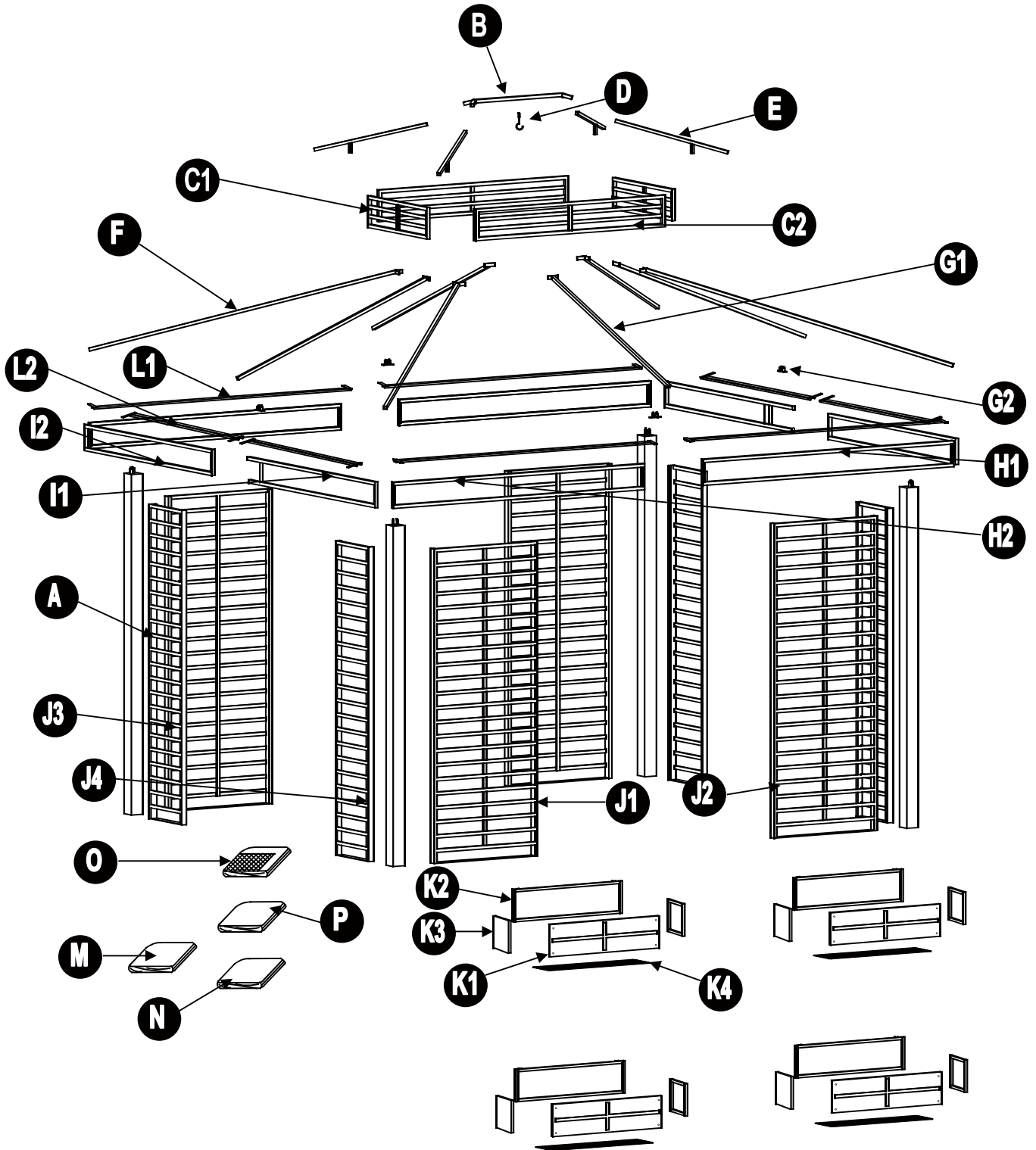
16. Secure the gazebo to ground using stakes (II).

Hardware Used

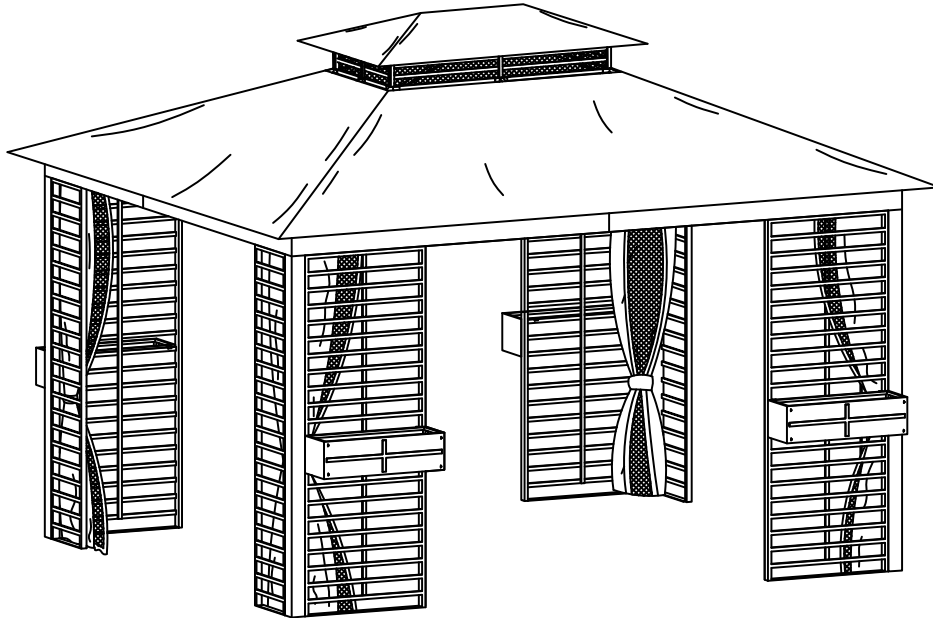
II Ø6 x 230 Stake  x 12



EXPLODED DRAWING



ASSEMBLY INSTRUCTION
ITEM#: A101004401



Nous pensons en vous, laissez nous vous aider!

Questions? Issues? / Questions? Problèmes?

CONTACT US / Contactez-nous

24 heures / 7 jours par semaine

Warranty Parts
Liste des pièces s us
garantie

www.sunjoyonline.com



customer.care@sunjoygroup.com

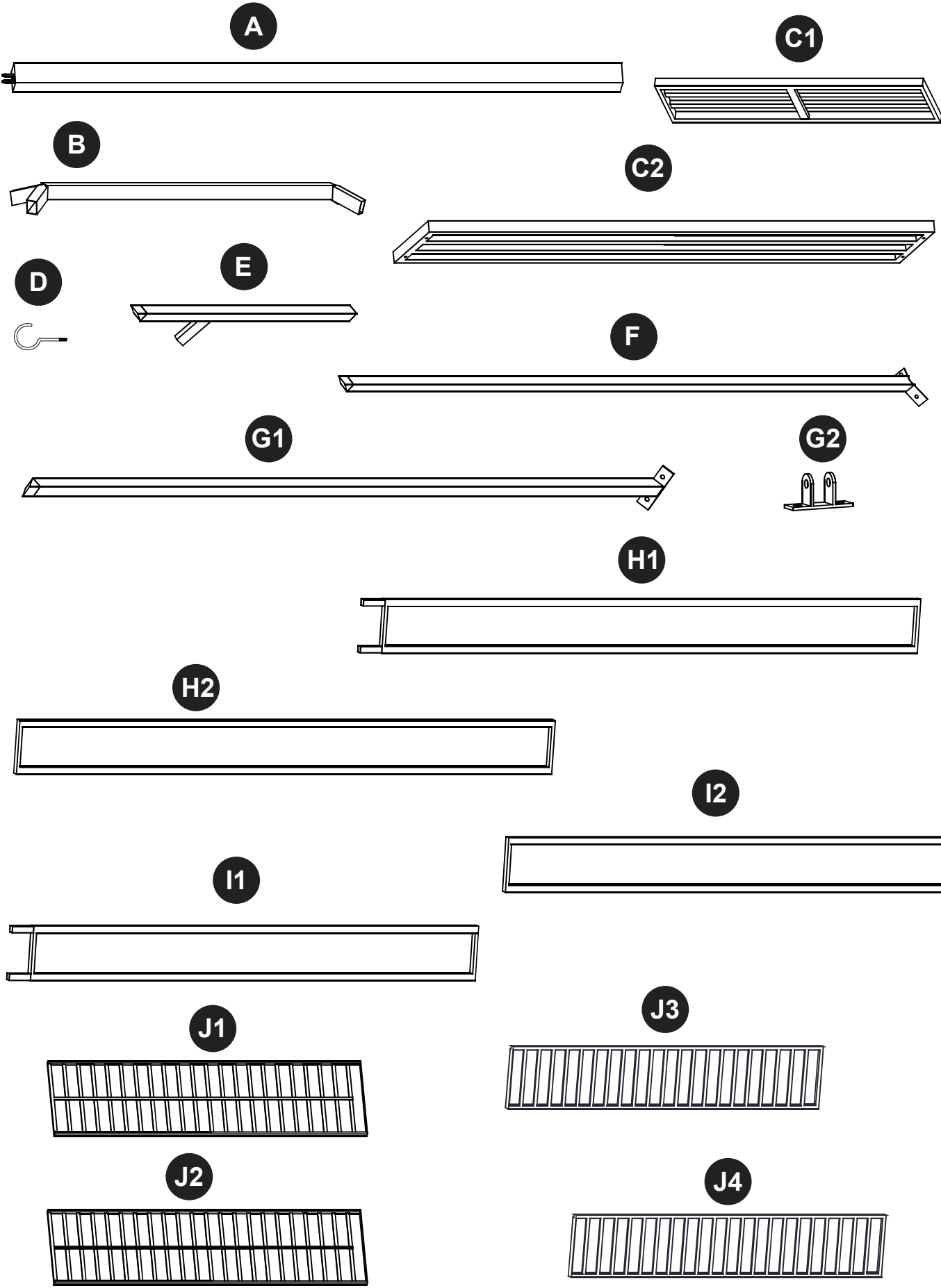


A10100440122

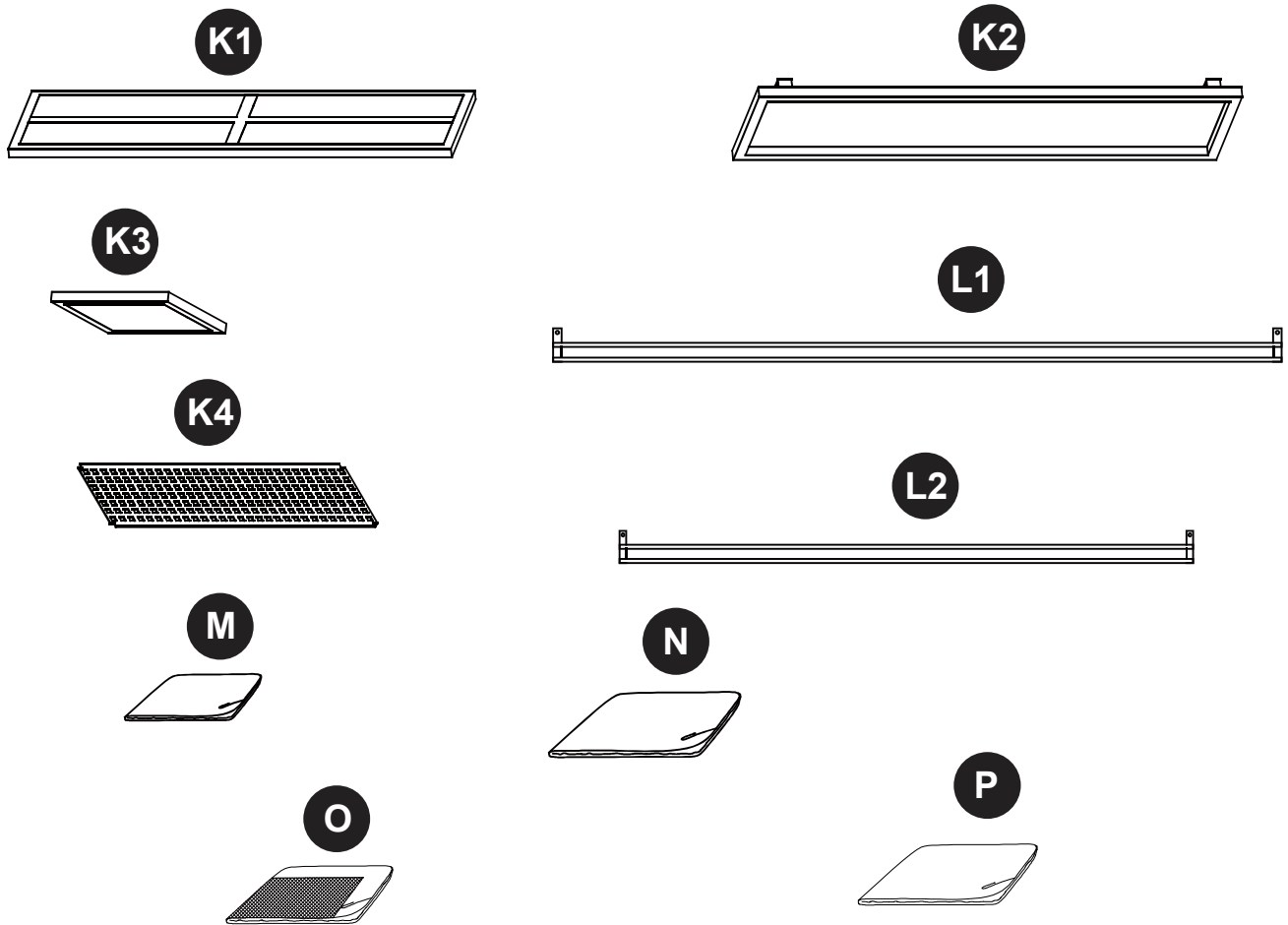
Pais d'origine: Chine

Numéro de fabrication: XXXXXXXX

CONTENIDO DEL PAQUETE



CONTENIDO DEL PAQUETE

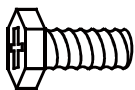


| PIEZA | DESCRIPCIÓN | PIEZA# | CANTIDAD |
|-------|---------------------------------------|------------|----------|
| A | Poste | P000200382 | 4 |
| B | Conector superior pequeño | P000601180 | 1 |
| C1 | Panel corto de la estructura superior | P000500979 | 2 |
| C2 | Panel largo de la estructura superior | P000500980 | 2 |
| D | Gancho | P005800001 | 1 |
| E | Viga para techo pequeña | P000601181 | 4 |
| F | Viga para techo inclinada grande | P000601182 | 4 |
| G1 | Viga central para techo grande | P000601183 | 4 |
| G2 | Conector de viga central | P000500981 | 4 |
| H1 | Malla larga con lateral largo | P000400776 | 2 |
| H2 | Malla corta con lateral largo | P000400777 | 2 |
| I1 | Malla larga con lateral corto | P000400778 | 2 |
| I2 | Malla corta con lateral corto | P000400779 | 2 |
| J1 | Malla vertical grande 1 | P006300067 | 2 |

| PIEZA | DESCRIPCIÓN | PIEZA# | CANTIDAD |
|-------|--------------------------------------|------------|----------|
| J2 | Malla vertical grande 2 | P006300068 | 2 |
| J3 | Malla vertical pequeña 1 | P006300069 | 2 |
| J4 | Malla vertical pequeña 2 | P006300070 | 2 |
| K1 | Panel para cesta de flores | P003800306 | 4 |
| K2 | Panel posterior para cesta de flores | P004000173 | 4 |
| K3 | Panel lateral para cesta de flores | P003800307 | 8 |
| K4 | Panel interior para cesta de flores | P004300039 | 4 |
| L1 | Tubo de mosquitero largo | P005700581 | 4 |
| L2 | Tubo de mosquitero corto | P005700582 | 4 |
| M | Toldo pequeño | P001100471 | 1 |
| N | Toldo grande | P001100470 | 1 |
| O | Mosquitero | P001200183 | 1 |
| P | Cortina | P001300090 | 1 |

ADITAMENTOS (no se muestran en tamaño real)

AA



Perno M6 x 15 mm

Cant.: 40 + 2 repuestos

BB



Arandela plana grande M6

Cant.: 132 + 7 repuestos

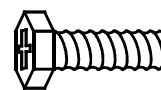
CC



Arandela de resorte M6

Cant.: 60 + 3 repuestos

DD



Perno M6 x 25 mm

Cant.: 24 + 2 repuestos

EE



Perno M6 x 35 mm

Cant.: 44 + 3 repuestos

FF



Tuerca M6

Cant.: 16 + 1 repuestos

GG



Perno M6 x 30 mm

Cant.: 8 + 1 repuestos

HH



Anillo

Cant.: 104 + 6 repuestos

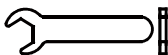
II



Estaca de $\varnothing 6$ x 230 mm

Cant.: 12

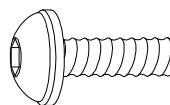
Z



Llave M6

Cant.: 2

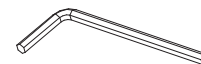
KK



Perno M6 x 25 mm

Cant.: 32 + 2 repuestos

Z1



Llave M6

Cant.: 1

| PIEZA | DESCRIPCIÓN | PIEZA# | CANTIDAD |
|-------|------------------------------------|------------|----------|
| AA | Perno M6 x 15 mm | H010020011 | 40+2 |
| BB | Arandela plana grande M6 | H050030001 | 132+7 |
| CC | Arandela de resorte M6 | H050020017 | 60+3 |
| DD | Perno M6 x 25 mm | H010020015 | 24+2 |
| EE | Perno M6 x 35 mm | H010020013 | 44+3 |
| FF | Tuerca M6 | H040010004 | 16+1 |
| GG | Perno M6 x 30 mm | H010020023 | 8+1 |
| HH | Anillo | P005100264 | 104+6 |
| II | Estaca de $\varnothing 6$ x 230 mm | H070010005 | 12 |
| Z | Llave M6 | H090010017 | 2 |
| KK | Perno M6 x 25 mm | H010060016 | 32+2 |
| Z1 | Llave M6 | H090030002 | 1 |

Consignes de sécurité importantes



Avertissement! Veuillez lire les consignes de sécurité suivantes avant d'assembler et d'utiliser l'abri de jardin afin de réduire le risque de blessures graves.

Veuillez vous renseigner auprès des autorités locales concernant les codes municipaux à l'égard de l'installation des structures avant d'effectuer tout montage

ATTENTION! L'emplacement approprié de l'abri de jardin est essentiel.

Ne placez pas le produit en dessous de fils électriques.

Tenez les enfants à l'écart du produit pendant son assemblage.

Ce produit contient des petites pièces que les enfants peuvent avaler.

Tenez vos doigts éloignés des endroits où ils risquent d'être pincés ou blessés.

Ne tentez pas d'assembler l'abri de jardin s'il vous manque des pièces.

- Ce produit est uniquement destiné à un usage domestique et doit être utilisé à l'extérieur.
- L'abri de jardin doit être placé sur une surface plane et horizontale.
- Prévoyez un espace dégagé suffisant autour du produit. Avant de procéder à l'assemblage du produit, choisissez une surface au sol plane et éloignée d'au moins 6 pi (1,8 m) des structures ou obstructions environnantes, comme les clôtures, garages, maisons, branches surplombantes, cordes à linge ou fils électriques.
- Ce gazébo ne doit pas être considéré comme faisant partie d'une structure de bâtiment ou maison. Le gazébo doit être ancré à la terre pour plus de sécurité. Ne construisez pas le gazébo sur la terre ou le sol. Il est préférable de construire le gazébo sur une terrasse en bois ou ciment ou béton pour la stabilité. Si le gazébo doit être construit sur une terrasse en bois ou la terre, assurez-vous que la terrasse ou la terre a une base solide. Il est recommandé d'utiliser les boulons d'ancrage (pas compris) convenables pour ancrer le gazébo sur la surface en bois ou en ciment.
- Certaines structures peuvent nécessiter deux personnes ou plus pour l'installer en toute sécurité. Vérifiez les services publics souterrains avant de creuser ou d'enfoncer des piquets dans le sol.
- Lors de l'installation, suivez toutes les consignes de sécurité fournies avec vos outils et portez des lunettes de sécurité.
- Si vous installez plus d'un abri de jardin, gardez une distance minimale de 10 pi (3 m) entre les abris de jardin.
- L'assemblage et l'entretien de ce produit ne doivent être effectués que par des adultes.
- Au besoin, demandez à d'autres personnes de vous aider à assembler ou déplacer le produit.
- Certaines pièces peuvent contenir des bords tranchants. Portez des gants de protection si nécessaire.
- Tenez les enfants et les animaux à l'écart de l'abri de jardin pendant son assemblage.
- Assurez-vous périodiquement que tous les écrous et boulons pour s'assurer que les boulons /écrous sont serrés.
- La réparation et le remplacement des pièces doivent être effectués par un technicien qualifié.
- Cet abri de jardin est conçu uniquement pour des fins décoratives et de pare-soleil, et il n'est pas conçu pour résister aux intempéries, notamment les vents violents, la pluie et la neige.
- N'allumez pas un feu à l'intérieur ou près du produit!
- Si un incendie se déclare, restez calme. Cherchez la sortie la plus proche. Ne retournez pas à l'abri de jardin avant que:
 - les pompiers ne vous le permettent.
- Ne suspendez aucun poids lourd sur le cadre du toit. Ne montez pas sur le toit de l'abri de jardin. Tomber de l'abri de jardin peut entraîner des blessures graves.
- Conservez l'emballage original aux fins de remisage de l'abri de jardin.

IMPORTANT:

- Veuillez lire et bien comprendre ce guide avant de procéder à l'assemblage. Avant de procéder à l'assemblage du produit, assurez-vous que toutes les pièces sont présentes.
- Lors de l'assemblage de pièces en bois, ne serrez pas trop les boulons afin d'éviter de fendre le bois.
- Consultez l'illustration dans les schémas. Mettez toutes les pièces de la boîte dans une zone dégagée et positionnez-les sur le sol devant vous.
- Retirez tous les matériels d'emballage et remettez-les dans la boîte. Ne les jetez pas avant d'avoir terminé l'assemblage.
- Nécessaire pour l'assemblage : les outils suivants ne sont pas inclus.



Cette icône identifie de l'information
Utilisez un niveau Vérifiez avec un
équerre Serrer les boulons Mesurer
la distance



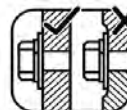
Utilisez un niveau

Vérifiez que l'assemblage est d'aplomb
avant de procéder à la prochaine étape.



Vérifiez avec un équerre

Vérifiez que l'assemblage est carré avant
de serrer les boulons.



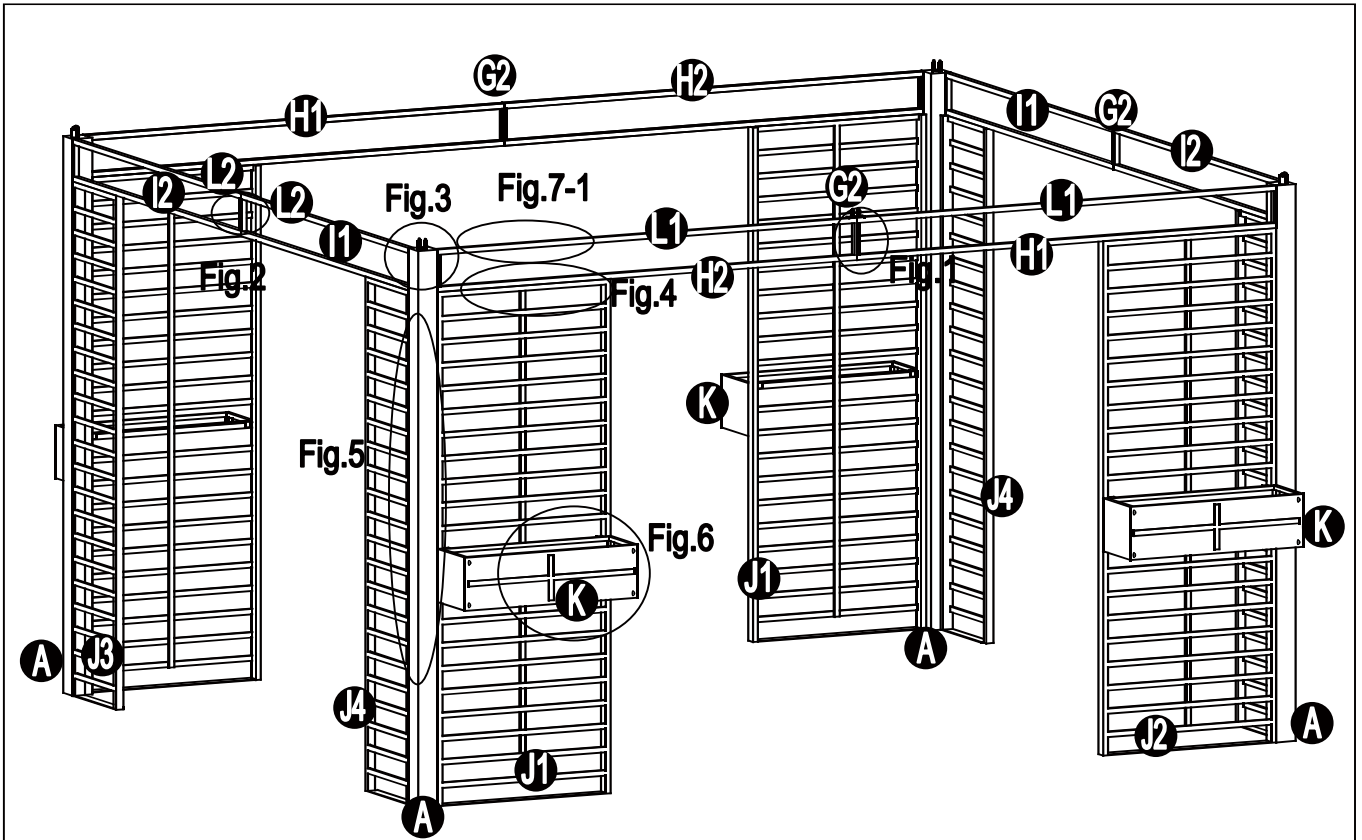
Serrer les boulons

Ne serrez pas trop les boulons de fixation. Un
serrage excessif peut provoquer des fissures
dans le bois, créant des éclats de bois et d'autres
dommages structurels

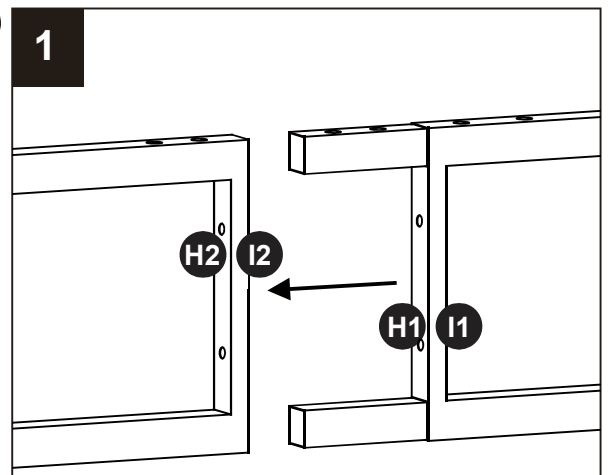


Mesurer la distance

INSTRUCCIONES DE ENSAMBLAJE



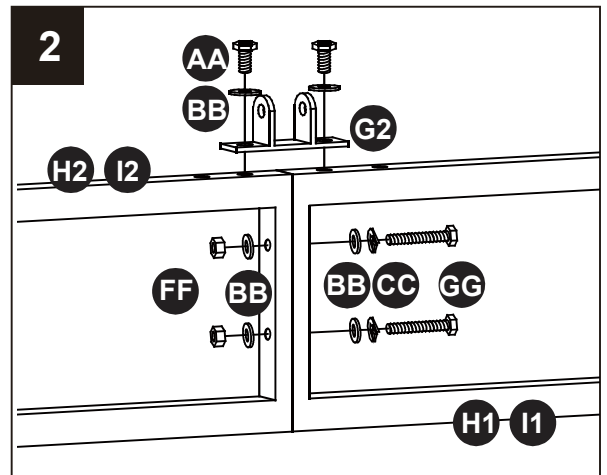
1. Inserte la malla larga con lateral largo (H1) en la malla corta con lateral largo (H2). Repita este paso para las mallas laterales cortas (I1/I2).



INSTRUCCIONES DE ENSAMBLAJE

2. Conecte las mallas largas con lateral corto (I1) con las mallas cortas con lateral corto (I2) con los pernos (GG), las arandelas de resorte (CC), las arandelas planas (BB) y las tuercas (FF), como se muestra en la figura. Luego, fije el conector de la viga central (G2) a los ensambles de malla con lateral corto (I1/I2) con los pernos (AA) y las arandelas planas (BB). Apriete con la llave inglesa (Z).

Repita este paso para los ensambles de malla con lateral largo (H1/H2).



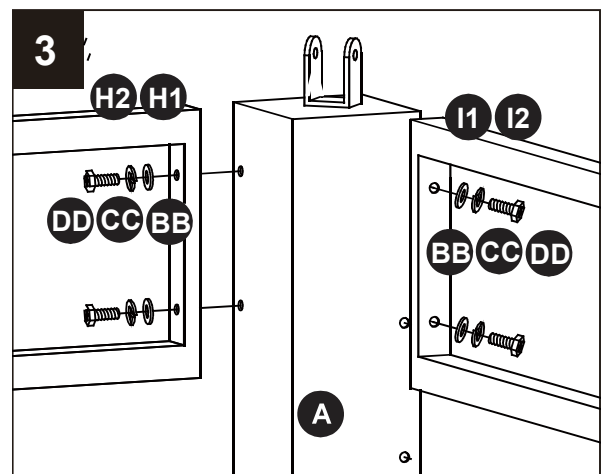
Aditamentos utilizados

| | | | |
|-----------|--------------------------|--|------|
| AA | Perno M6 x 15 mm | | x 8 |
| GG | Perno M6 x 30 mm | | x 8 |
| BB | Arandela plana grande M6 | | x 24 |
| CC | Arandela de resorte M6 | | x 8 |
| FF | Tuerca M6 | | x 8 |
| Z | Llave M6 | | x 1 |

3. Fije las mallas cortas con lateral largo (H2) y las mallas largas con lateral corto (I1) a los postes (A) con los pernos (DD), las arandelas de resorte (CC) y las arandelas planas (BB). Apriete con la llave inglesa (Z). Repita este paso para las mallas largas con lateral largo (H1) y las mallas cortas con lateral corto (I2).

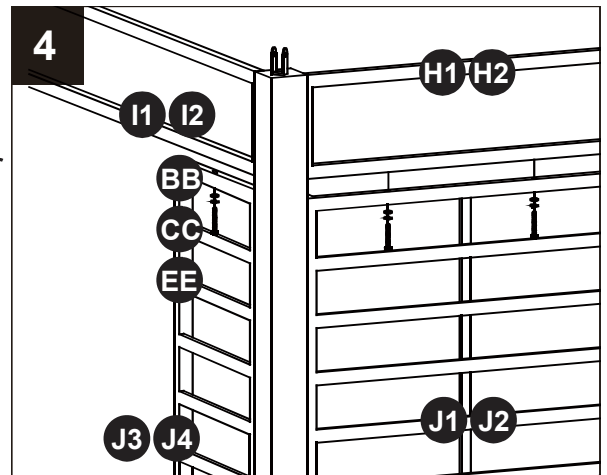
Aditamentos utilizados

| | | | |
|-----------|--------------------------|--|------|
| DD | Perno M6 x 25 mm | | x 16 |
| BB | Arandela plana grande M6 | | x 16 |
| CC | Arandela de resorte M6 | | x 16 |
| Z | Llave M6 | | x 1 |




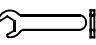


INSTRUCCIONES DE ENSAMBLAJE

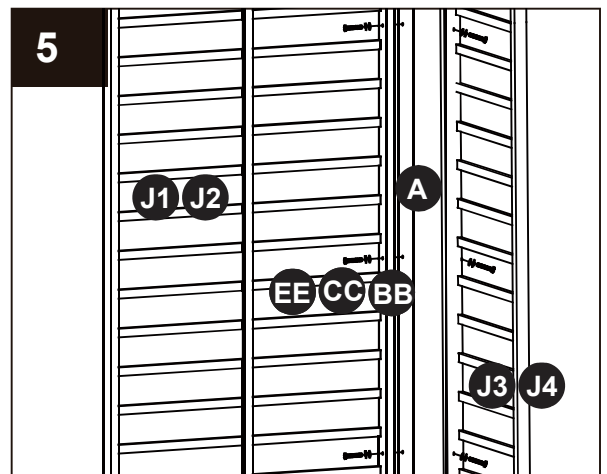
4. Fije las mallas verticales grandes (J1/J2) a las mallas con lateral largo (H2/H1) con los pernos (EE), las arandelas de resorte (CC) y las arandelas planas (BB). Apriete con la llave inglesa (Z). Repita este paso para fijar las mallas verticales pequeñas (J3/J4) a las mallas con lateral corto (I2/I1).



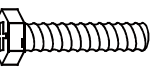


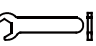
Aditamentos utilizados

- EE** Perno M6 x 35 mm  x 12
- BB** Arandela plana grande M6  x 12
- CC** Arandela de resorte M6  x 12
- Z** Llave M6  x 1

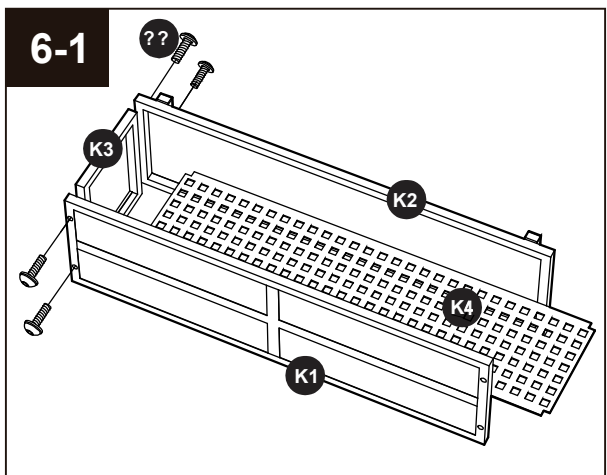
5. Fije las mallas verticales (J1/J2/J3/J4) a los postes (A) con los pernos (EE), las arandelas de resorte (CC) y las arandelas planas (BB). Apriete con la llave inglesa (Z).



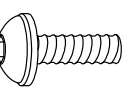

Aditamentos utilizados

- EE** Perno M6 x 35 mm  x 24
- BB** Arandela plana grande M6  x 24
- CC** Arandela de resorte M6  x 24
- Z** Llave M6  x 1

- 6-1. Fije el panel lateral para cesta de flores (K3) al panel para cesta de flores (K1) y el panel posterior para cesta de flores (K2) con los pernos (KK). Apriete con la llave inglesa (Z1). Luego, ponga el panel interior para cesta de flores (K4) en la cesta de flores.



Aditamentos utilizados

- KK** Perno M6 x 25 mm  x 16
- Z1** Llave M6  x 1

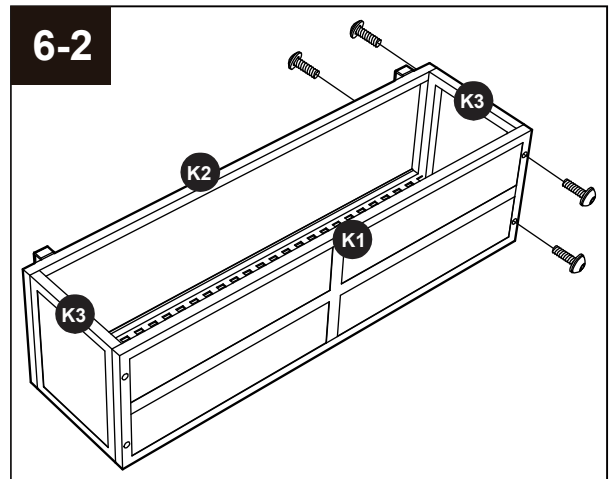
INSTRUCCIONES DE ENSAMBLAJE

- 6-2. Fije el otro panel lateral para cesta de flores (K3) al panel para cesta de flores (K1) y el panel posterior para cesta de flores (K2) con los pernos (KK). Apriete con la llave inglesa (Z1).

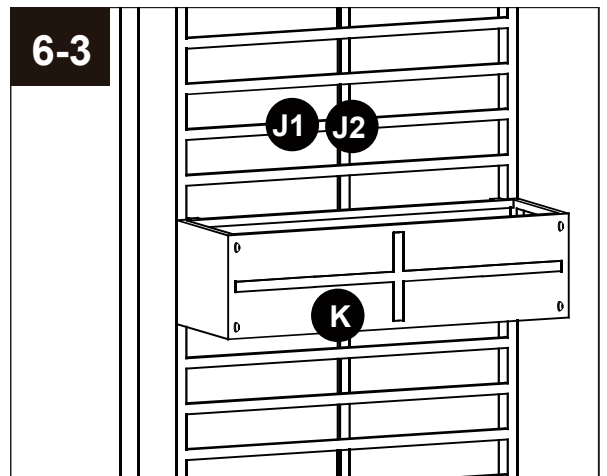
Aditamentos utilizados

KK Perno M6 x 25 mm  x 16

Z1 Llave M6  x 1



- 6-3. Cuelgue la cesta de flores ensamblada en las mallas verticales (J1/J2).



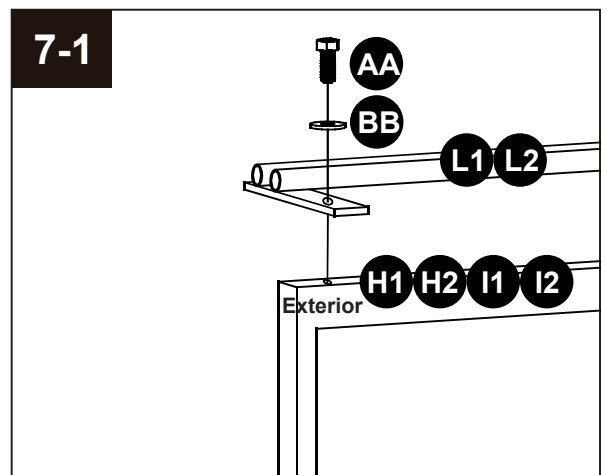
- 7-1. Fije los tubos de mosquitero largos (L1) a las mallas con lateral largo (H1/H2) y los tubos de mosquitero cortos (L2) a las mallas con lateral corto (I1/I2) con pernos (AA) y arandelas planas (BB). Apriete con la llave inglesa (Z).

Aditamentos utilizados

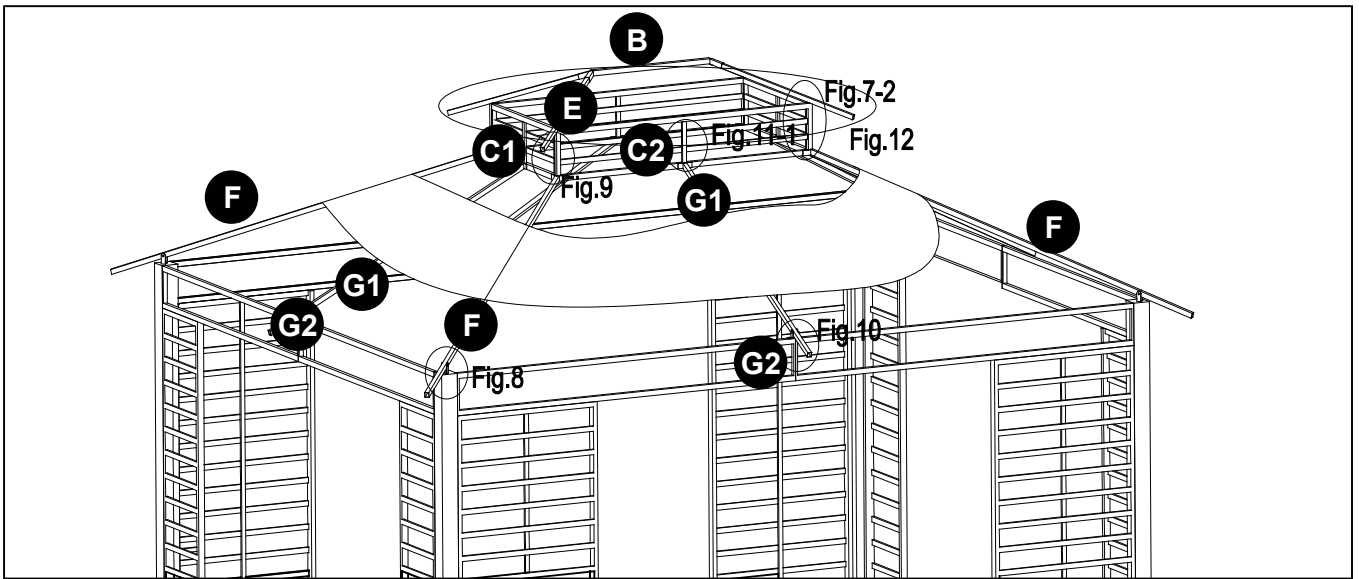
AA Perno M6 x 15 mm  x 16

BB Arandela plana grande M6  x 16

Z Llave M6  x 1



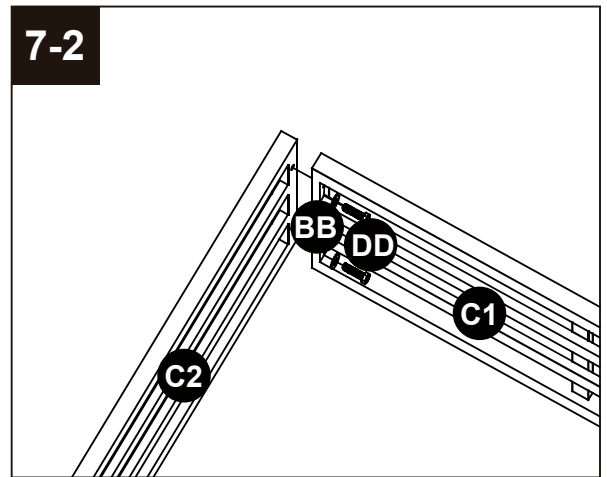
INSTRUCCIONES DE ENSAMBLAJE



7-2. Conecte los paneles cortos de la estructura superior (C1) y los paneles largos de la estructura superior (C2) con los pernos (DD) y las arandelas planas (BB). Apriete con la llave inglesa (Z).

Aditamentos utilizados

| | | | |
|-----------|--------------------------|--|-----|
| DD | Perno M6 x 25 mm | | x 8 |
| BB | Arandela plana grande M6 | | x 8 |
| Z | Llave M6 | | x 1 |

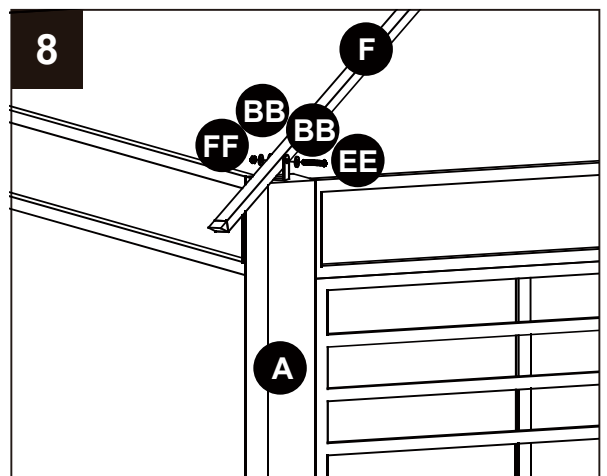


8. Fije las vigas inclinadas para techo grandes (F) en los postes (A) con los pernos (EE), las tuercas (FF) y las arandelas planas (BB).

Apriete con la llave inglesa (Z).

Aditamentos utilizados

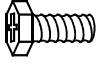

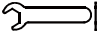
| | | | |
|-----------|--------------------------|--|-----|
| EE | Perno M6 x 35 mm | | x 4 |
| BB | Arandela plana grande M6 | | x 8 |
| FF | Tuerca M6 | | x 4 |
| Z | Llave M6 | | x 2 |

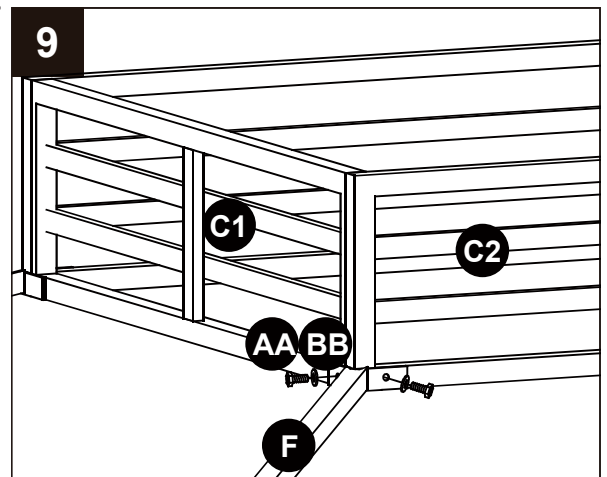


INSTRUCCIONES DE ENSAMBLAJE

9. Fije el otro extremo de las vigas inclinadas para techo grandes (F) a la estructura superior grande con los pernos (AA) y las arandelas (BB). Apriete con la llave inglesa (Z).

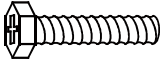


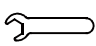
Aditamentos utilizados

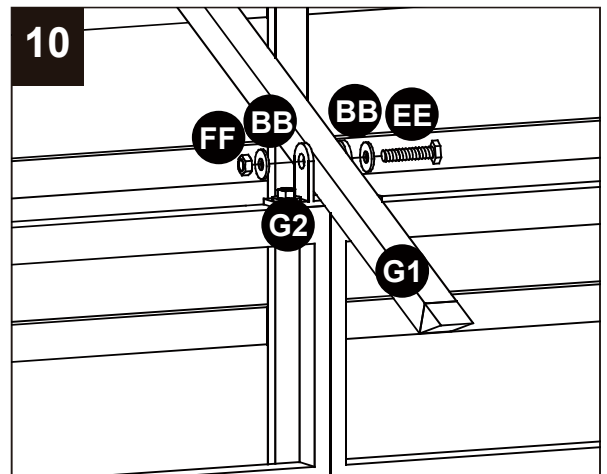
| | | | |
|-----------|--------------------------|---|-----|
| AA | Perno M6 x 15 mm |  | x 8 |
| BB | Arandela plana grande M6 |  | x 8 |
| Z | Llave M6 |  | x 1 |



10. Fije las vigas centrales para techo grandes (G1) en los conectores de las vigas centrales (G2) con los pernos (EE), las tuercas (FF) y las arandelas planas (BB). Apriete con la llave inglesa (Z).

Aditamentos utilizados

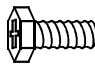

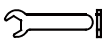
| | | | |
|-----------|--------------------------|---|-----|
| EE | Perno M6 x 35 mm |  | x 4 |
| BB | Arandela plana grande M6 |  | x 8 |
| FF | Tuerca M6 |  | x 4 |
| Z | Llave M6 |  | x 2 |

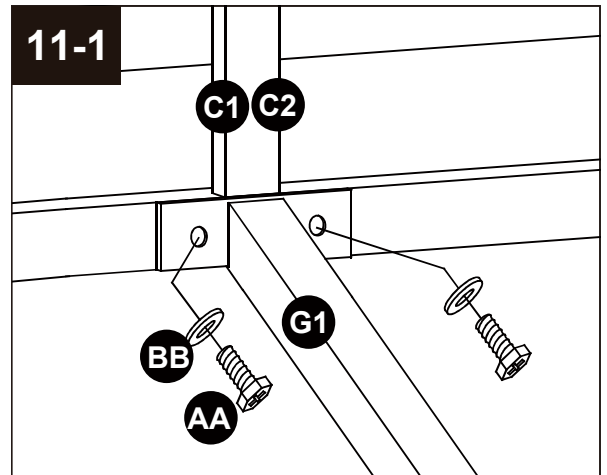


INSTRUCCIONES DE ENSAMBLAJE

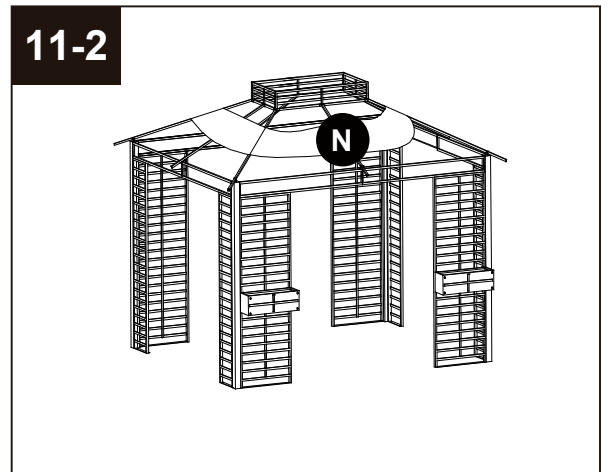
11-1. Fije el otro extremo de las vigas centrales (G1) a los paneles largos de la estructura superior (C1/C2) con los pernos (AA) y las arandelas planas (BB). Apriete con la llave inglesa (Z).

Aditamentos utilizados

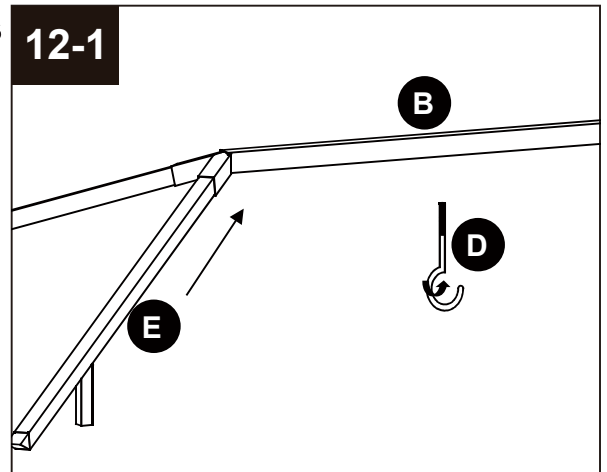
- AA** Perno M6 x 15 mm  x 8
- BB** Arandela plana grande M6  x 8
- Z** Llave M6  x 1



11-2. Coloque el toldo grande (N) en el ensamble superior grande, pero no lo fije todavía.

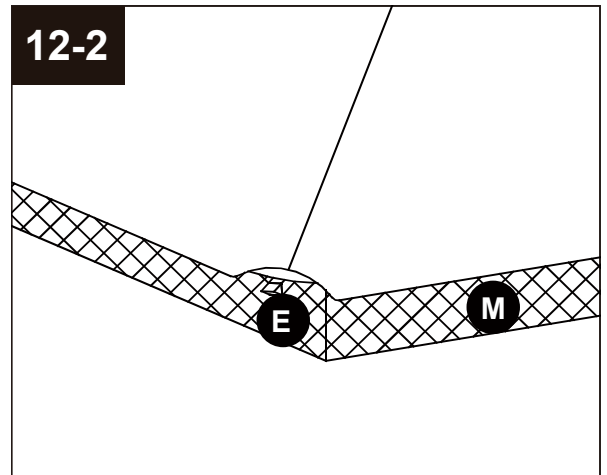


12-1. Inserte las vigas para techo pequeñas (E) en el conector superior pequeño (B) y fije el gancho (D).

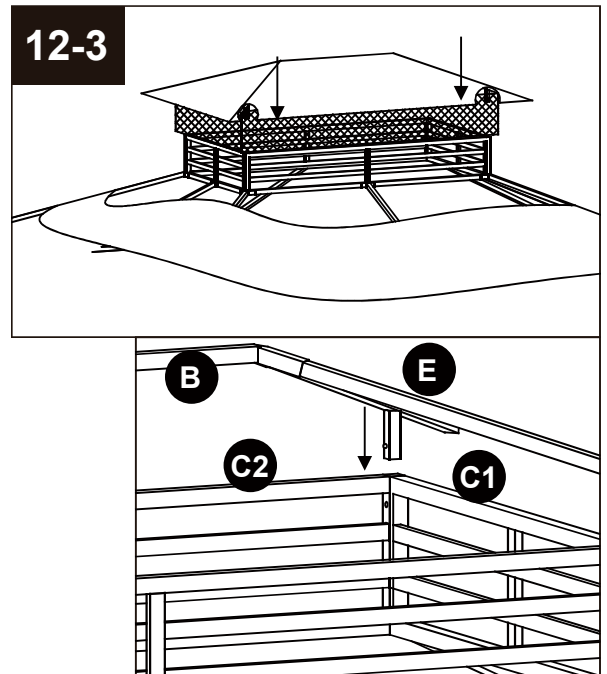


INSTRUCCIONES DE ENSAMBLAJE

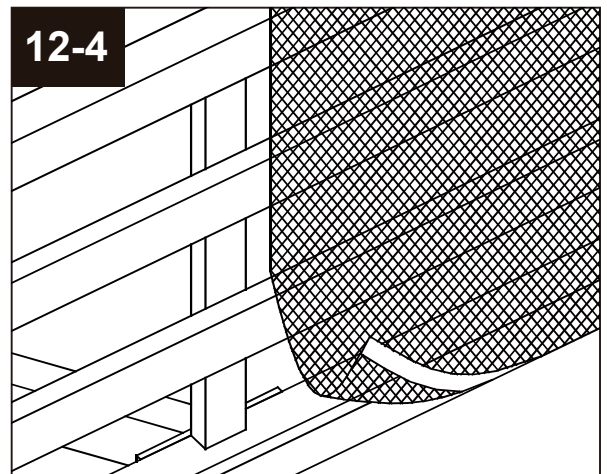
12-2. Coloque el toldo pequeño (M) en la parte superior pequeña, luego fije cuatro esquinas del toldo pequeño a las vigas para techo pequeñas (E).



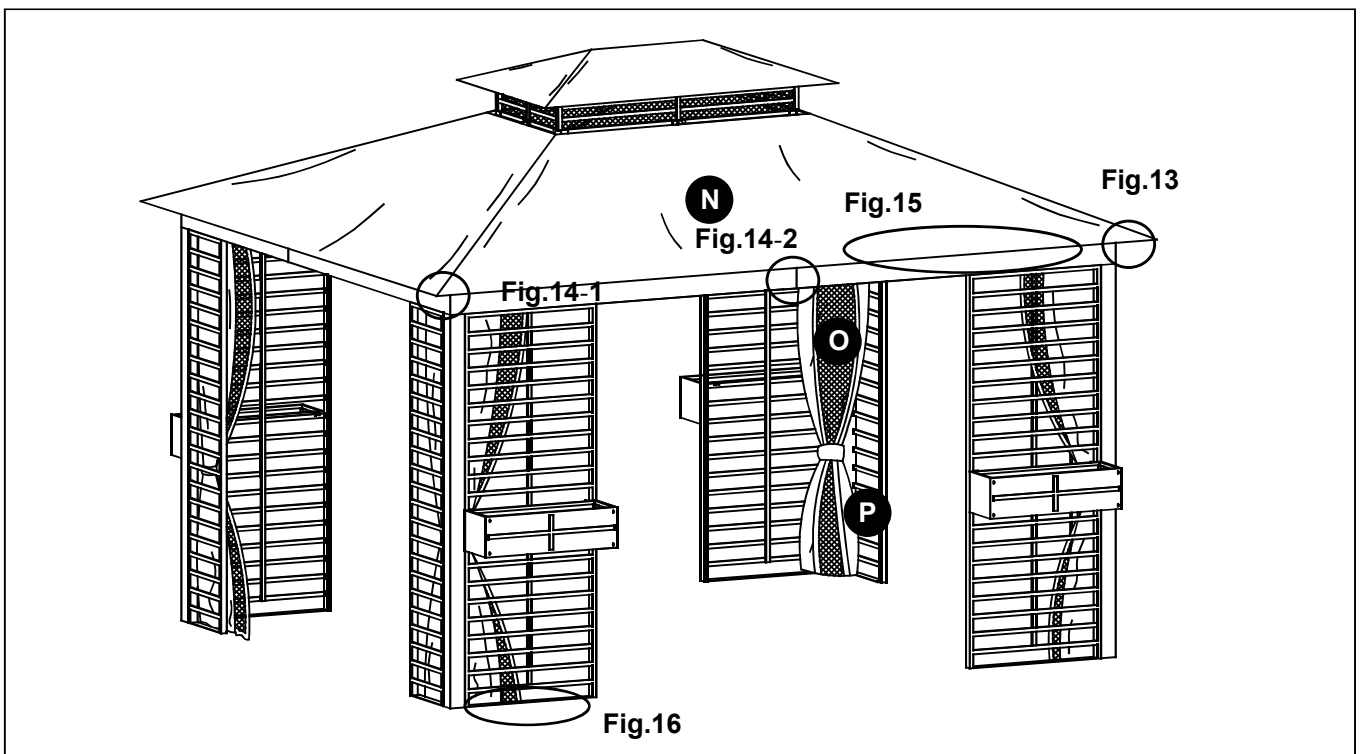
12-3. Fije el ensamble superior pequeño insertando los tubos de las vigas para techo pequeñas (E) en la estructura superior grande.



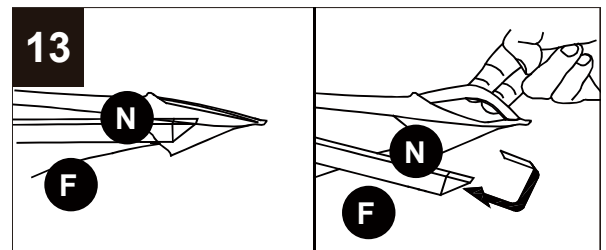
12-4. Fije la cinta mágica sobre el mosquitero para techo pequeño con la cinta mágica en la estructura superior grande a fin de evitar que el viento levante el mosquitero.



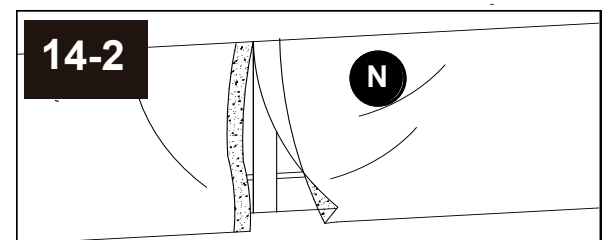
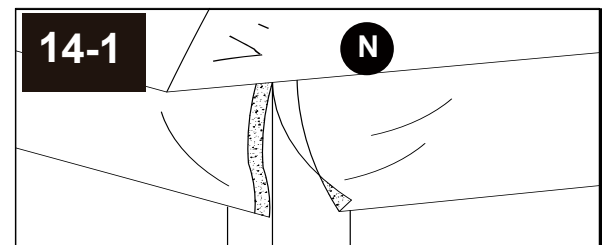
INSTRUCCIONES DE ENSAMBLAJE



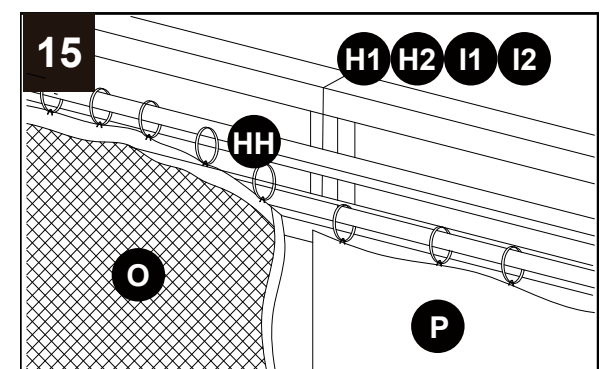
13. Extienda el toldo (N) y fije las esquinas al extremo de las vigas inclinadas para techo grandes (F).



14. Amarre las ligaduras mágicas a las esquinas del toldo y en los puntos centrales tal como ilustrado en las figuras 14-1 y 14-2.



15. Cuelgue el mosquitero (O) y la cortina (P) en los tubos del mosquitero con los anillos (HH).



Aditamentos utilizados

HH Anillo x 104

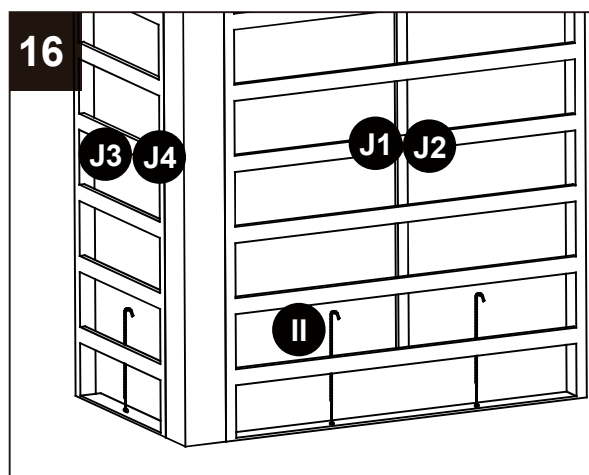


INSTRUCCIONES DE ENSAMBLAJE

16. Fije el gazebo al suelo usando las estacas (II).

Aditamentos utilizados

II Estaca de  x 12
∅6 x 230 mm



DESSIN ÉCLATÉ

