



# Bulldog Commercial Hardware 6200 Series ANSI/BHMA Grade-2 Heavy Duty Commercial Lever Specifications



*AL6200 Series  
Avery Style*



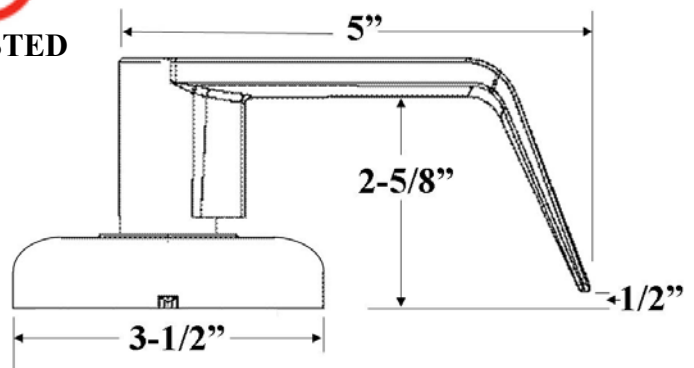
Meets ADA  
Regulation



*EL6200 Series  
Erin Style*



UL LISTED



Stocking Finish		Special Order Finishes			Case Qty	Case Wt	Case Size
SS	10B	AB	PB	PS	Units	LBS	LxWxH
x	x	x	x	x	6	12	15x9x12

Lever Specifications & Options		Function	Operation
ANSI / BHMA	ANSI 156.2 Grade-2, 400,000 cycles	6220 - Passage	Both levers always free turning. No locking operation.
Rose Diameter	3-3/8".	6231-Restroom	Inside push-button locks both levers. Lever can be opened from outside by turning outside privacy mechanism. (emergency egress & kickoff equipped)
Cylinder	6 pin C std.- 6 pin KW1 optional.	6241-Entry	Key or inside push button locks both levers. Turning inside lever or key unlocks both levers.
Keying	As specified: Available Master keyed, Builder keyed, KD, KA.	6250-Storeroom	Inside lever is free turning. Outside lever is always locked and can only be unlocked with key inserted and turned.
Thru-Bolt	2 standard, removable (auxiliary).	6260-Classroom	Outside lever locked or unlocked with key. Inside is always free.
Latch	Backset 2-3/4", square corner 1" narrow faceplate std. optional 2-3/8". Black filler plate included to adapt to 1-1/8 hollow metal latch face cutout.	6290-Dummy	1/2 Dummy. Pull handle only. No locking or operation functions.
Strike	PT-LS12: 2-3/4" T-Strike std. PT-LS22: 4-7/8" ASA opt.		
Door Prep	161 Cutout std: Edge bore 1", latch mortise 1" or 1-1/8" x 2-1/4", cross bore 2-1/8", backset standard 2-3/4", 2-3/8" optional.		
Clutch	Standard.		
Door Thickness	Min. 1-3/8", Max 1-3/4".		
Handing	All, 6200 levers are non-handed.		
U.L.	3 hour, U.L. Labeled Fire Rated.		
Warranty	Lifetime mechanical, 2 year finish.		