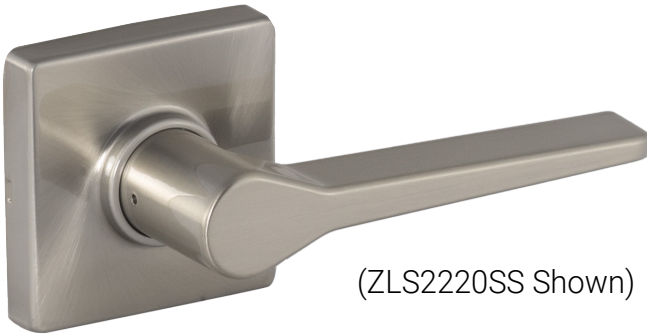
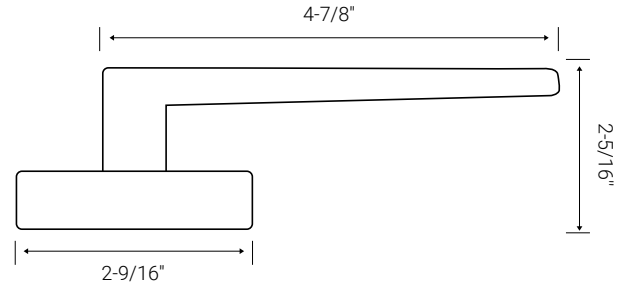


(ZLS2220BC Shown)



(ZLS2220SS Shown)



Specification

ANSI Grade BHMA	ANSI 156.2 Grade 3	200,000 cycles
Rosette	2-3/8"	
Cylinder	Standard: KW1 5-pin	Optional: Schlage C
Latch	4-Way Adjustable round corner latch with drive-in collar (RFL).	Optional: Square corner latch (SCL), no upcharge.
Strike	Standard: PC-LS06 2-3/4" full lip round corner (RCS).	Optional: Extended full lip.
Keys	Standard bow nickel plated. 2 keys included with each keyed function lockset only.	
Keying	As specified: Master, Builder, Keyed Alike or Keyed Different	
Door Prep	Edge Bore: 1" Latch Mortise: 1" x 2-1/4"	Cross Bores: 2-1/8" Backset: 2-3/8" - 2-3/4"
Door Thickness	Minimum: 1-3/8" - Maximum: 1-3/4" Thick Door Option: Available for passage function in ALL finishes or keyed functions in SS & TB only. Maximum: 2-1/4".	
UL Listed	Meets UL 20 minute rating with UL latch.	
ADA	ADA Compliant. Meets "push-button" lock & "emergency egress" requirements on functions 1231, 1241, 2231, 2241.	
Warranty	Lifetime mechanical, 5 year finish.	

Copper Creek Functions

Function	Code	Operation
Entry	2240	Keyed Function.
Passage	2220	Non-keyed, no locking mechanism.
Privacy	2230	Non-keyed locking mechanism.
Push Privacy	2231	Non-keyed locking mechanism with push-button.
Full Dummy	2295	Non-active, mounted on door with through cross-bore .
Half Dummy	2290	Non-active, surface mounted on door.

Stocking Finishes

Finish	Case Quantity
Black (BC)	18
Polished Stainless (PS)	18
Satin Stainless (SS)	18