

Copper Creek Hardware ANSI/BHMA Grade-3 Standard Rosette Lever Specifications

Avery (AL)
1231 shown



Daley (DL)
1240 shown



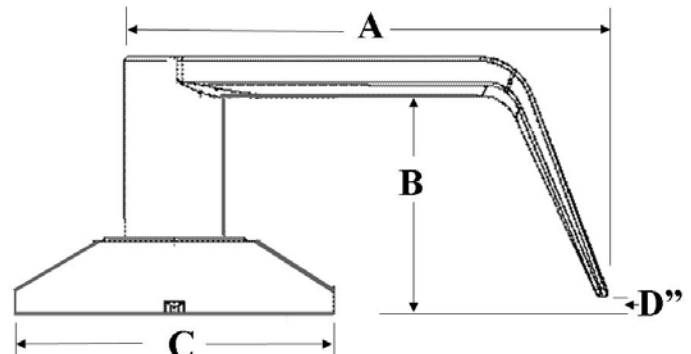
Erin (EL)
1220 shown



Available **UL**
LISTED



Meets ADA
Regulations



	A	B	C	D
Avery	4-1/4"	1-7/8"	2-5/8"	1/2"
Daley	4"	2"	2-5/8"	n/a
Erin	4-3/4"	2-1/8"	2-5/8"	1/2"

Std. Finish	Special Order Finishes					Case Qty	Case Size
	TB	AB	AN	PB	PS		
SS						Units	LxWxH
x	x	x	x	x	x	18	18x14x10

Lever Specifications & Options

ANSI / BHMA	ANSI 156.2 Grade-3, 200,000 cycles.
Rose Diameter	2-5/8".
Cylinder	KW1 5-pin std, "C" optional.
Keying	As specified: Available Master keyed, Builder keyed, KD, KA.
Latch	2-3/8" backset, 1" round corner narrow faceplate std. 2-3/4" or drive-in optional.
Strike	PT-LS16: 2-3/4" Round corner strike std.
Door Prep	Edge bore 1", latch mortise 1"x 2-1/4", cross bore 2-1/8", backset standard 2-3/8", optional 2-3/4".
Door Thickness	Min 1-3/8", Max 1-3/4".
Handing	All 1200 levers are non-handed.
UL Labeled	1220-20 minute, 1231 & 1241 90-minute.
Warranty	25 year mechanical, 5 year finish.

Function	Operation
1220 Passage	Both levers always free turning. No locking operation.
1220 UL Passage	Both levers always free turning. No locking operation.
1230 Privacy	Inside turn-button locks and unlocks both levers. Lever can be unlocked by rotating the outside privacy mechanism.
1231 UL Restroom	Inside push-button locks both levers. Rotating inside lever or turning outside privacy mechanism unlocks both levers. (Emergency egress & kick off equipped).
1240 Entry	Outside key or inside turn-button locks both levers.
1241 UL Entry	Key or inside push button locks both levers. Turning inside lever or key unlocks both levers.
1290 Dummy	1/2 Dummy - Used as pull or decorative trim only.