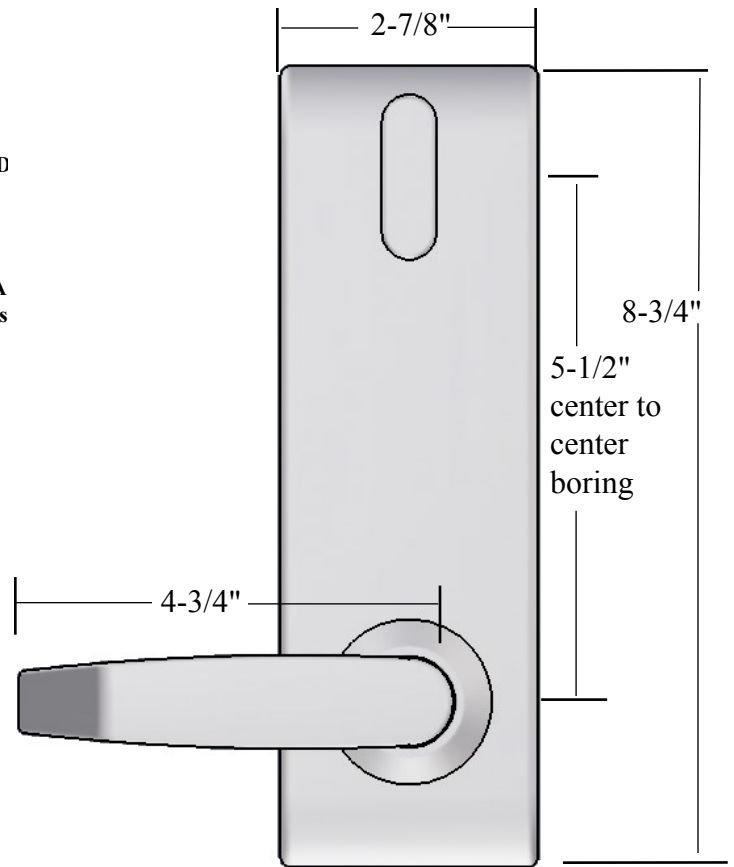




# Commercial Hardware ELC6920 Series ANSI/BHMA Grade-2 Heavy Duty Interconnect Specifications



Erin ELC6920 SS  
1-Point Locking Interconnect  
Satin Stainless finish shown

Stocking Finish	Special Order Finishes				Case Qty	Case Wt	Case Size
SS	10B	-	PB	PS	Units	LBS	LxWxH
x	x	x	x	x	10	25	15x9x12

INTERCONNECT SPECIFICATIONS		INTERCONNECT FUNCTIONS			
ANSI/BHMA	Grade-2.		ELC6920 Passage	Both levers always free turning to retract latch. Rotating inside lever simultaneously unlocks deadbolt. Deadbolt also unlocked with key or by rotating thumb turn.	
Latch	2-3/8" - 2-3/4" adjustable backset, 1" round corner narrow faceplate standard. Square corner optional.		1-Point Locking		
Strikes	Deadbolt: PC-STRIKE-DS06 2-3/4" RCS std. Lever: PC-STRIKE-LS16 full lip RCS std.			ELC6941 Entry	<b>NOTE:</b> Product no longer available.
Cylinder	5 pin KW1 std. "C" optional.			2-point Locking	
Door Prep	Edge bore 1", latch mortise 1" x 2-1/4", cross bores 2-1/8", 5-1/2" Center to Center.				
Door Thickness	Min. 1-3/8", Max 1-3/4".				
Handing	Non-Handed Design.				
U.L.	3 hour, UL Labeled Fire Rated.				
Warranty	Lifetime mechanical, 2 year finish.				