

**Copper Creek Hardware**  
**Heavy Duty DBFR5410 ANSI/BHMA Grade-2**  
**Front Removable Cylinder Deadbolt Specifications**



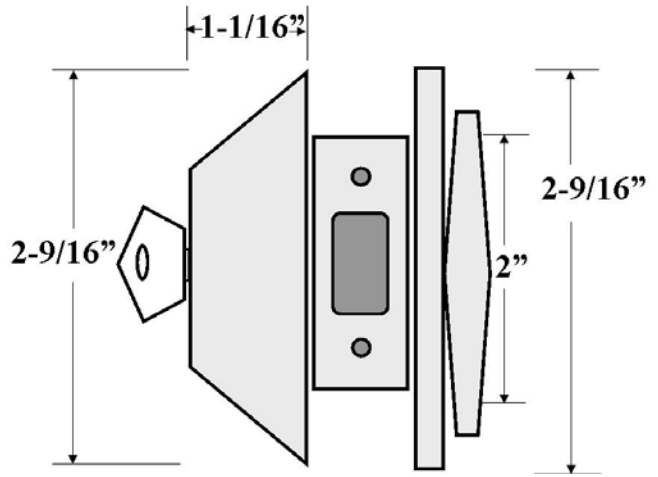
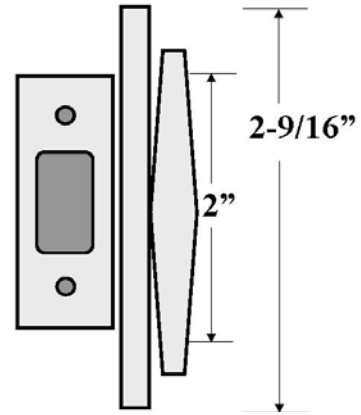
*DBFR 5410*  
*Sgl. Cylinder*  
*Deadbolt*



Meets ADA  
 Regulations



Available UL  
 LISTED



Deadbolt Specifications & Options	
ANSI / BHMA	ANSI 156.2 Grade-2. 400,000 cycles.
Front Removable Cylinder	Solid Brass KW1 5-pin std, "C" optional.
Keying	As specified: Available Master keyed, Builder keyed, KD, KA.
Latch	Adjustable backset, 1" round corner narrow faceplate std. Square corner or drive-in adjustable optional.
Strike	PT-DS16 and PT-DS26: Round corner strikes std. Others available.
Door Prep	Edge bore 1", latch mortise 1"x 2-1/4", cross bore 2-1/8", backset standard 2-3/8", optional 2-3/4".
Door Thickness	Min 1-3/8", Max 1-3/4".
Handing	Non-handed.
UL Labeled	Available 90-minute UL Labeled.
Warranty	Lifetime mechanical, 5 year finish.

SKU #	Available Finishes							Case Qty
	SS	TB	AB	AN	BC	PB	PS	Units
<b>DBFR5410</b>	x	x			x		x	12

Function	Operation
DBFR5410 Single Cylinder Deadbolt	Inside turn-piece and exterior key throws or retracts the 1" deadbolt latch. Cylinder can be removed with the deadbolt mounted with included Removal Tool Key.