



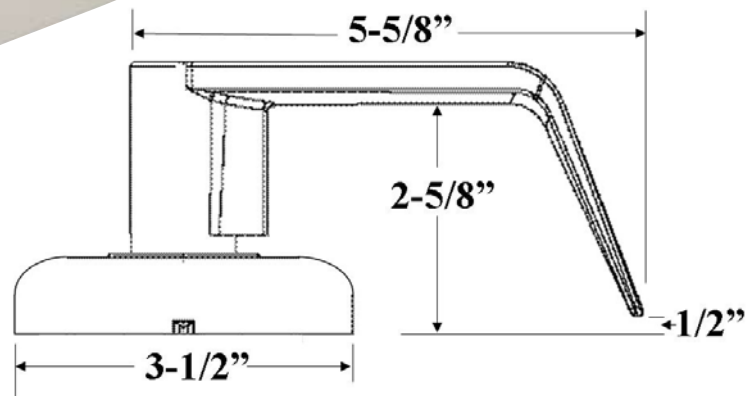
# Commercial Hardware 7200 Series ANSI/BHMA Grade-1 Heavy Duty Commercial Lever Specifications



Meets ADA  
Regulations



UL LISTED



Stocking Finish		Special Order Finishes			Case Qty	Case Wt	Case Size
SS	10B	AB	PB	PS	Units	LBS	LxWxH
x	x	x	x	x	6	12	15x9x12

Lever Specifications & Options		Function	Operation
ANSI / BHMA	ANSI 156.2 Grade-1.	7220 - Passage	Both levers always free turning. No locking operation.
Rose Diameter	3-1/2".		
Cylinder	6 pin C std.- 6 pin KW1 optional .		
Keying	As specified: Available Master keyed, Builder keyed, KD, KA.	7231-Restroom	Inside push-button locks both levers. Lever can be opened from outside by turning outside privacy mechanism. (emergency egress & kickoff equipped).
Thru-Bolt (auxiliary)	2 standard, removable.		
Latch	2-3/4" backset, 2-3/8" optional. 1-1/8" square corner wide faceplate std.	7241-Entry	Key or inside push button locks both levers. Turning inside lever or key unlocks both levers. Pushing & turning inside push button activates "Storeroom Function".
Strike	PT-LS22: 4-7/8" ASA-Strike Std. PT-LS12: 2-3/4" T-Strike opt.		
Door Prep	1" edge bore, 1-1/8" x 2-1/4" latch mortise, 2-1/8" cross bore, 2-3/4" backset standard, 2-3/8" optional.	7250-Storeroom	Inside lever is free turning. Outside lever is always locked and can only be unlocked with key inserted and turned.
Clutch	Standard.		
Door Thickness	Min 1-3/8", Max 1-3/4".	7260-Classroom	Outside lever locked or unlocked with key. Inside is always free.
Handing	All, 7200 levers are non-handed.		
U.L.	3 hour, U.L. Labeled Fire Rated.		
Warranty	Lifetime Mechanical, 2 year Finish.		