

PEDDERS
| NEW PRODUCTS

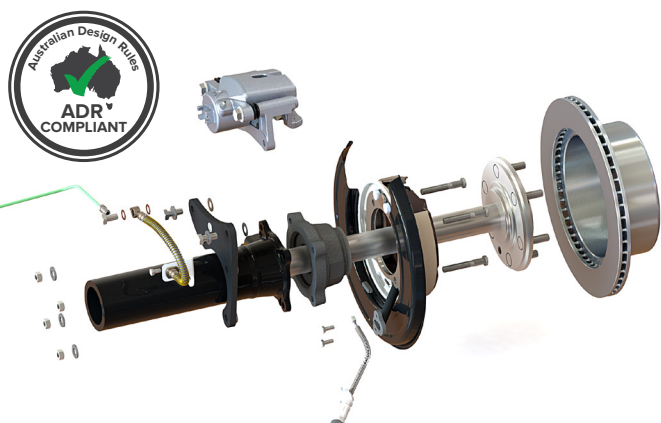
PEDDERS
| BRAKES

TRAKRYDER
BRAKE PADS

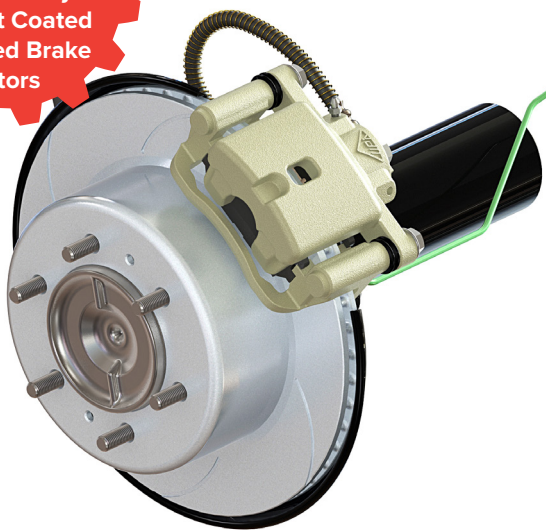
PEDDERS TRAKRYDER REAR DISC BRAKE CONVERSION KIT

TO SUIT TOYOTA TACOMA SECOND GENERATION 08/2004-08/2015
AND THIRD GENERATION 09/2015-ON

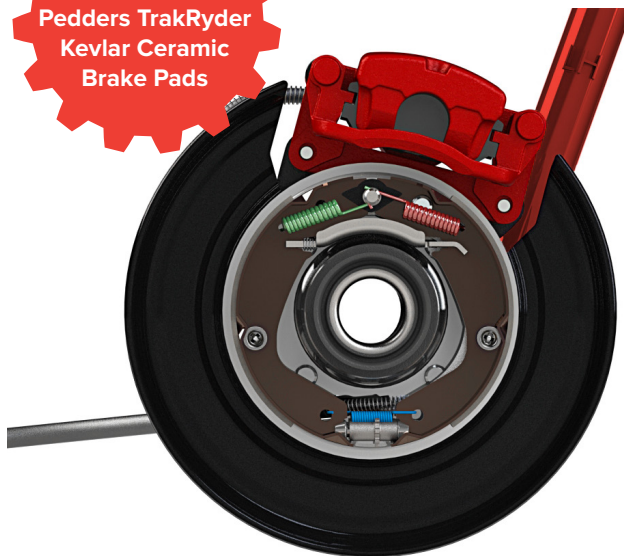
Pedders are proud to officially release of our drum to disc brake conversion kits to suit the rear of the Toyota Tacoma models.



INCLUDES
Pedders TrakRyder
Geomet Coated
& Slotted Brake
Rotors



INCLUDES
Pedders TrakRyder
Kevlar Ceramic
Brake Pads



All photos used are for illustrative purpose only.

For further information please contact your local Pedders Suspension specialist or check out www.pedders.com.au Note: See our Pedders Suspension catalogue for up to date information.

www.pedders.com
PEDDERS
SUSPENSION

Straight advice, specialists you understand and... No Bull

PEDDERS

| NEW PRODUCTS

PEDDERS

| BRAKES

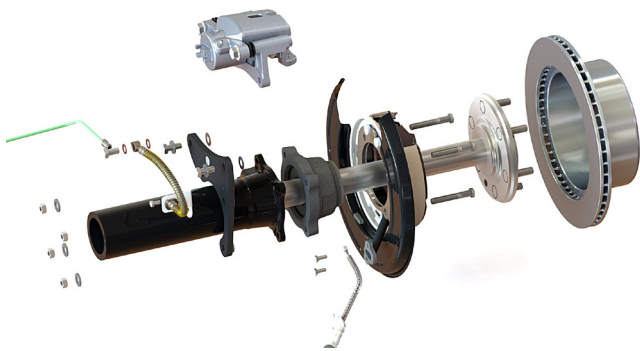
TRAKRYDER

BRAKE PADS

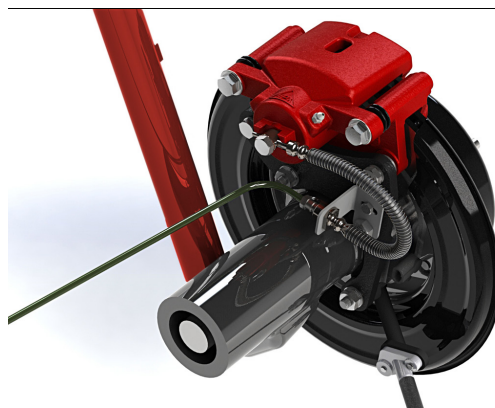
PRE ORDER

Key Features & Benefits:

- Easy inspection. The car owner does not have to remove the wheels to look at the disc brake system.
- Increased stopping power over drum brakes. Smaller pad area, but more clamping efficiently. Brake pedal feel and modulation are improved.
- The disc brakes are completely self-adjusting and have less moving parts.
- It takes longer for the disc brake to achieve brake fade, because they have a wider surface area that is directly exposed to air.
- Disc brakes drain water quickly whereas once water enters a drum brake, it stays there longer hindering braking efficiency.
- Brake mounting is very easy. Only two bolts are needed to be removed to replace brake pads.
- Kit is inclusive of all of the necessary hardware to update the rear drum brake to add Pedders TrakRyder Rear Disc Brake. Kit contents includes are pair of Pedders TrakRyder Geomet coated and slotted disc brake rotors. Plus a set of rear TrakRyder Kevlar Ceramic brake pads.
- ADR certified – Extensive testing to support our Australian design rule certification.
- Installation video supplied along with fitting instructions.
- 2 Year 40,000kms Nationwide Warranty.



KEVLAR CERAMIC



All photos used are for illustrative purpose only.

For further information please contact your local Pedders Suspension specialist or check out www.pedders.com.au Note: See our Pedders Suspension catalogue for up to date information.

www.pedders.com
PEDDERS
SUSPENSION

Straight advice, specialists you understand and... No Bull