

CANDEX®

☎ 1(800) 223-3055

✉ info@candexlighting.com

Single-Pole / 3-Way / Multi-Way

For Dimmable LED,
Incandescent, CFL,
& Halogen



Push Button Dimmer Switch

M520140



Featuring brightness level indicators – Integrated safety feature to change out light bulbs from any light fixtures. Instead of breaker box, pulling this tab open makes it easier to disconnect all power to the load.

APPLICATION NOTES

- Compatible with LED/CFL/Incandescent/Halogen DIMMABLE bulbs
- For residential and commercial use
- Multi-Location Dimming – Control lights from 2 locations
- Advanced dimming technology accommodating a wide range of bulbs
- Recommended with any Candex dimmable bulb, fixture, and luminaire



Push Button Dimmer Switch

Single-Pole / 3-Way / Multi-Way

HARDWARE SPECIFICATION

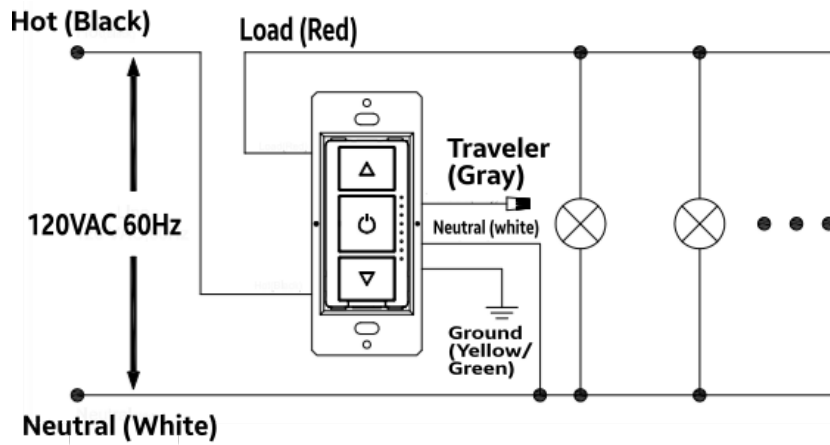
- Designed for leading-edge TRIAC dimming
- Operation: Single Pole / 3-Way / Multi-Way
- Load Rating:
 - » LED/CFL 3W ~ 300W
 - » Incandescent/Halogen 15W ~ 300W
- Up/Down buttons control dimming, and center preset button turns on/off
- Neutral wire required
- ETL Listed
- Overload and overheat protection
- Full range dimming
- Voltage – 120VAC, 50/60Hz
- Wall Plate – Included
- Wall Plate Color – Glossy White
- 4.7 x 2.9 x 1.29 inches with wall plate
- Featuring maximum light level modification for energy savings



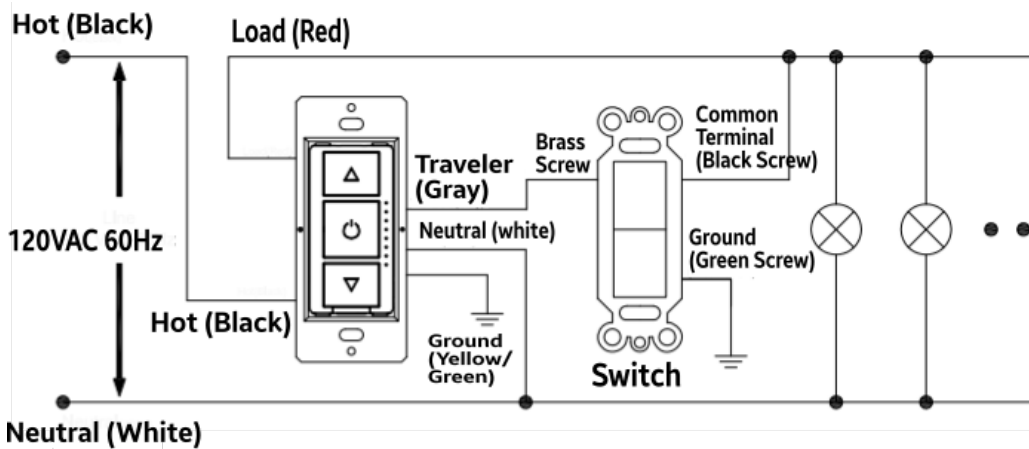
MODEL	DIMMING	OPERATION	LOAD RATING	VOLTAGE	FREQUENCY	FINISH
M520140	TRIAC	Single Pole/3-Way/ Multi-way	300W LED/CFL or 300W Incandescent/Halogen	120VAC	50/60Hz	White
WALLPLATE	ACTION PRESET	ACTION DIMMING	LOCATION	WARRANTY	PACKAGING TYPE	PACKAGING QUANTITY
Included	Push Button	Push Button	Indoor Use Only	3-Year Limited	Peggable	1/100

UPC - 818564023724

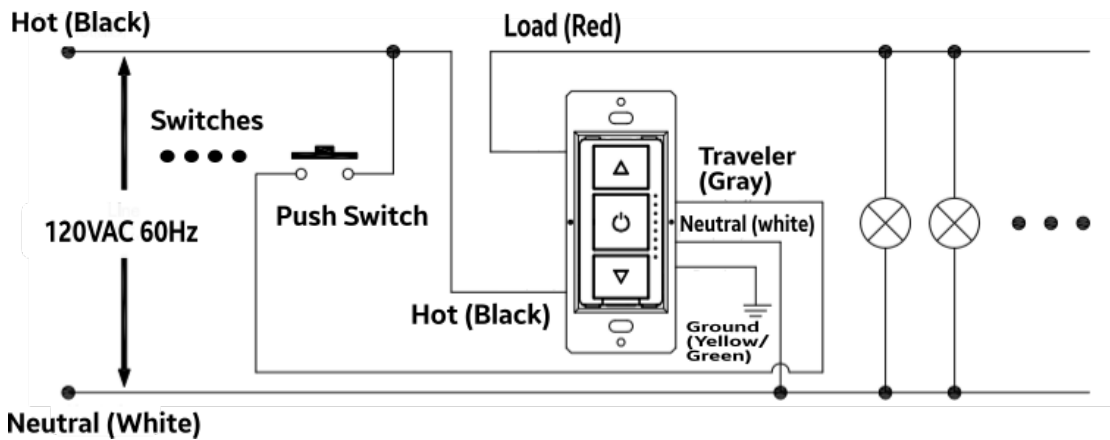
ELECTRICAL WIRING DIAGRAMS



Single-Pole



3-Way



Multi-Way