

# CANDEX®

☎ 1(800) 223-3055

✉ info@candexlighting.com



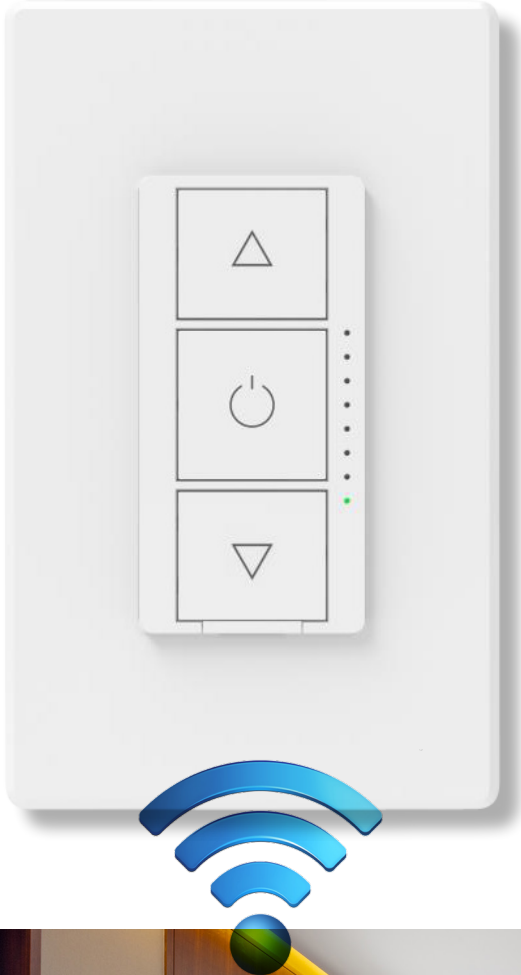
## Wi-Fi Push Button Dimmer Switch

M520141



**Single-Pole / 3-Way / Multi-Way**

Designed for dimmable LED, CFL,  
Incandescent, and Halogen bulbs



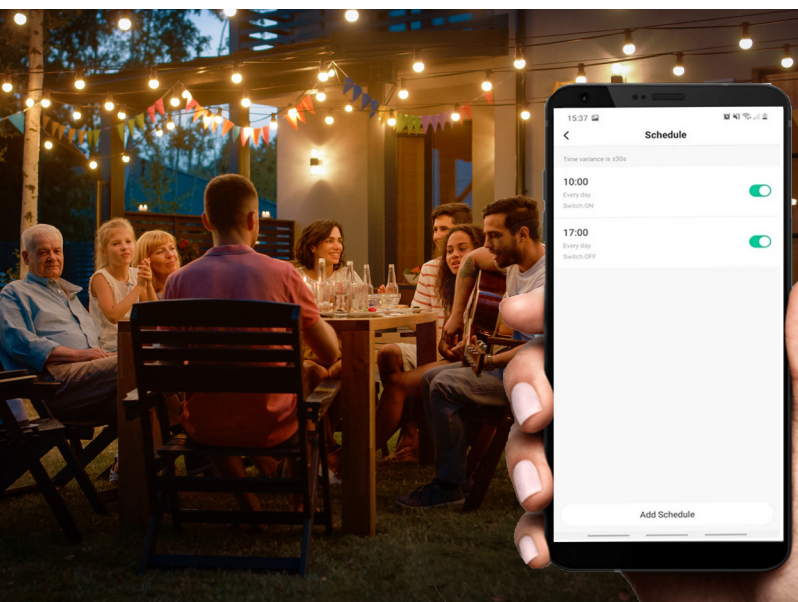
# CONTROL FROM ANYWHERE

CANDEX® Wi-Fi Dimmer Switch connects to your smart home network allowing remote control of any connected light bulbs and lamp fixtures.



## AUTOMATION/SCHEDULING

Easy to schedule automatic on/off lighting at any particular time.



## NO HUB REQUIRED

CANDEX® Wi-Fi Dimmer Switch connects to your home's 2.4Ghz Wi-Fi network, requiring no additional hubs.



## VOICE CONTROL

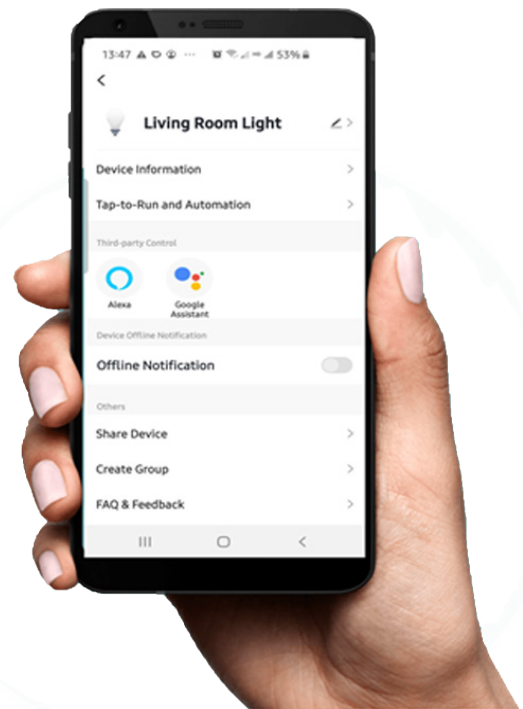
With Alexa or Google Assistant, control your lights with simple voice commands.



Manage Light Automation by Saying  
"Turn on the lights"  
"Turn off the lights"  
"Dim the lights"

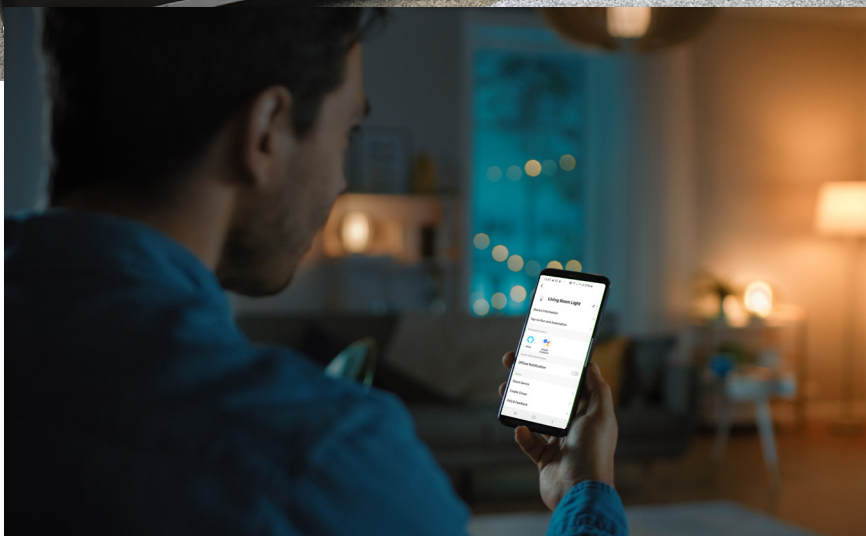
## DOWNLOAD SMART LIFE APP

Use SMART LIFE to connect with Smart Home System





# Create the Right Mood for Any Activity



## Adjust Brightness

Dim the light with your phone to create the right mood for any indoor home activity.

(For indoor use only)

## APPLICATION NOTES

- Controls anything connected to your CANDEX® Wi-Fi Dimmer Switch
- Push buttons and Voice Control designed to turns lights on/off to favorite light setting
- Compatible with lights controlled from 1 or 2 locations
- Available connections - Single-Pole/ 3-Way/ Multi-Way
- Coordinating wall plate included



# Wi-Fi Push Button Dimmer Switch

Single-Pole / 3-Way / Multi-Way

## HARDWARE SPECIFICATION

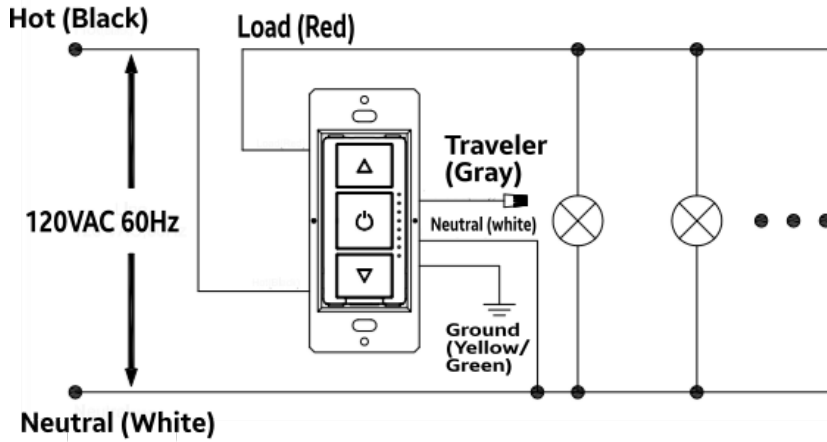
- Designed for leading-edge TRIAC dimming
- Operation: Single Pole / 3-Way / Multi-Way
- Load Rating:
  - » LED/CFL 3W ~ 300W
  - » Incandescent/Halogen 15W ~ 300W
- Up/Down buttons control dimming, and center preset button turns on/off
- Neutral wire required
- Overload and overheat protection
- Full range dimming
- Voltage – 120VAC, 50/60Hz
- Wall Plate – Included
- Wall Plate Color – Glossy White
- 4.7 x 2.9 x 1.29 inches with wall plate
- ETL Listed
- Featuring maximum light level modification for energy savings



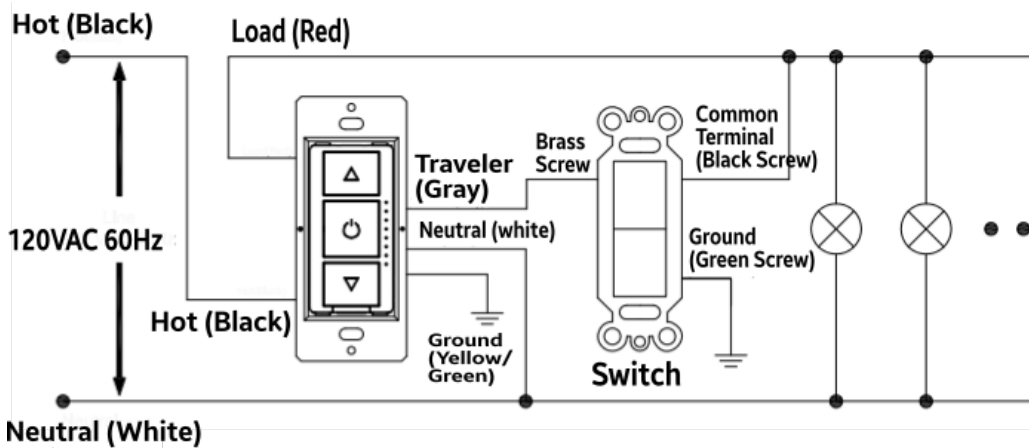
MODEL	DIMMING	OPERATION	LOAD RATING	VOLTAGE	FREQUENCY	FINISH
M520141	TRIAC	Single Pole/3-Way /Multi-Way	300W LED/CFL or 300W Incandescent/Halogen	120VAC	50/60Hz	White
WALLPLATE	ACTION PRESET	ACTION DIMMING	LOCATION	WARRANTY	PACKAGING TYPE	PACKAGING QUANTITY
Included	Push Button	Push Button	Indoor Use Only	3-Year Limited	Peggable	1/100

UPC - 818564023748

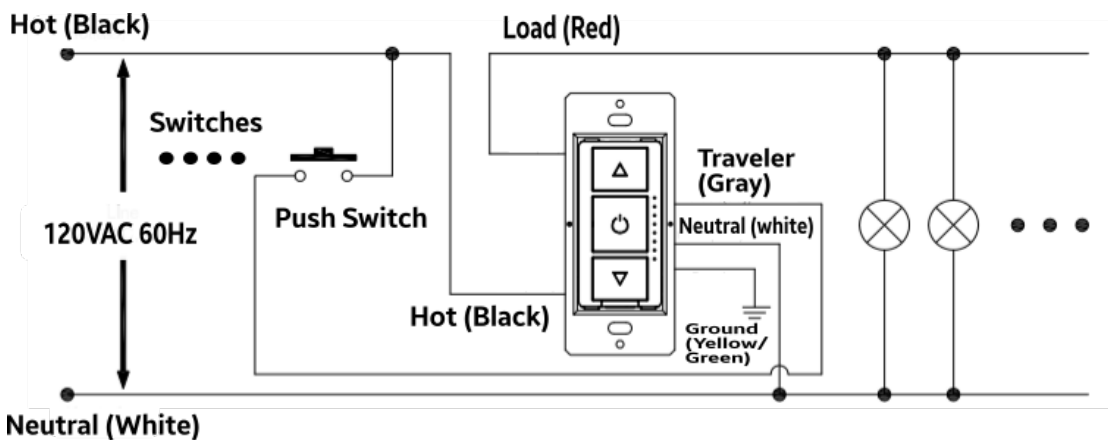
# ELECTRICAL WIRING DIAGRAMS



Single-Pole



3-Way



Multi-Way