

Before assembling your chair, watch an assembly video at:
www.kyotamassagechairs.com/assembly-tutorials

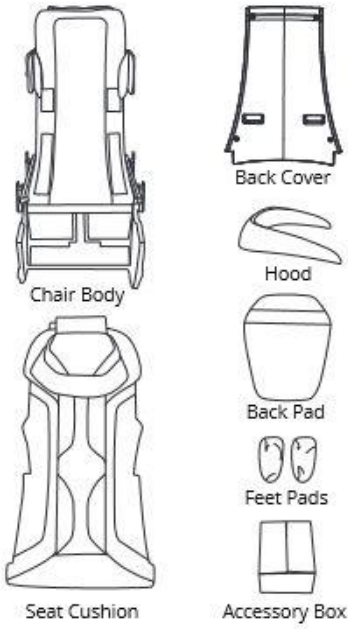
Alternatively, scan the QR code to go directly to the URL above.



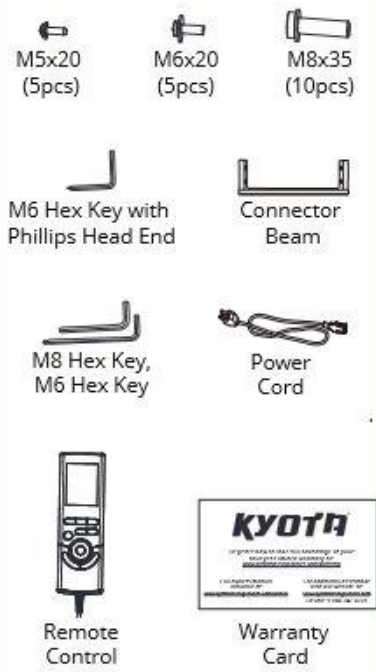
SCAN CODE

- 1 Step 1:** Prior to assembly, carefully unpack all box contents. Carefully check box contents to the detail below. Make sure all contents are accounted for. **If anything is missing, please contact Kyota Massage Chairs at 800-242-0761. Do not return to the place of purchase.**

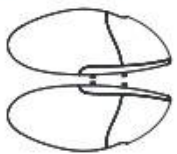
Box 1: Chair Body & Accessory Box



Accessory Box



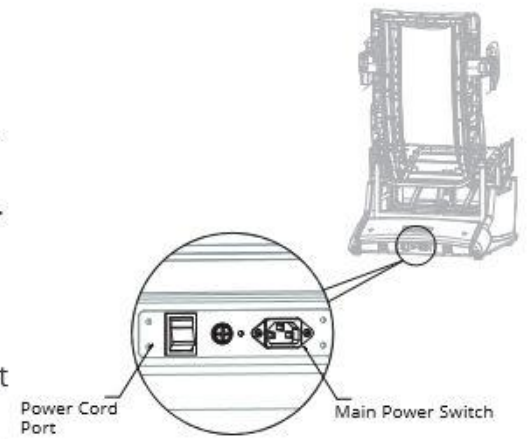
Box 2: Arm Panels (2)



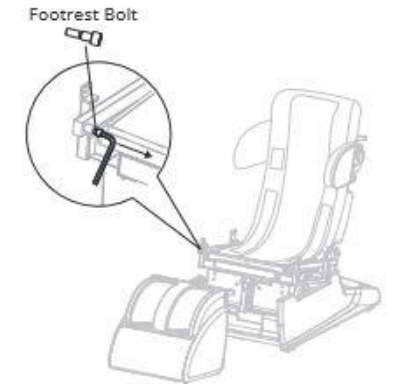
Box 3: Footrest (1)



- 2 Step 2:** Plug power cord into power port located on the back side of the base of the chair. Connect the chair power cord to a grounded 110V electrical outlet. Flip the main power switch to on, this will upright the chair out of shipping position. Once the chair is fully upright, flip the power switch to off and remove the power cord.

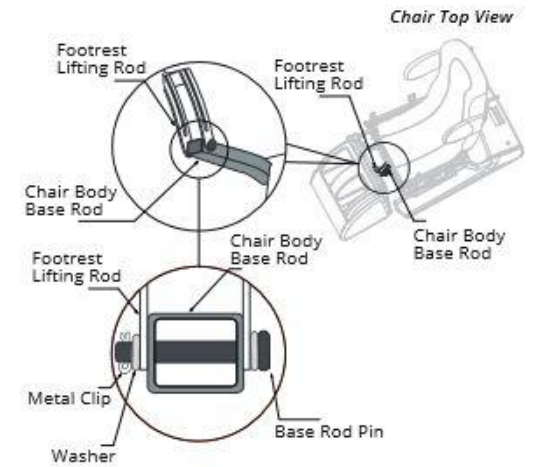


- 3 Step 3:** Place the footrest in front of the chair body. Using the provided M8 Hex Key, remove the 2 bolts and their washers from either side of the front of the chair body and set them to the side.



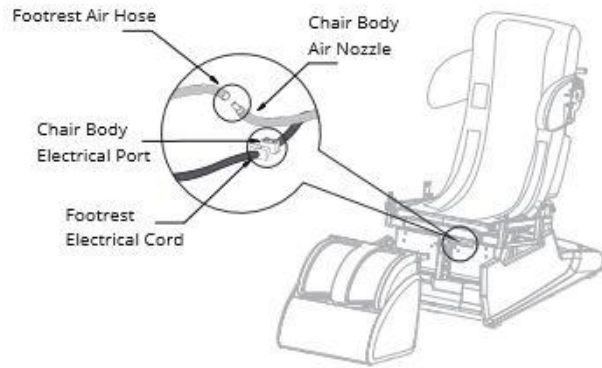
- 4 Step 4:** Locate the chair body base rod in the footwell of the chair. Remove the metal clip from the end of the base rod pin and then remove the pin. Place the base rod pin, metal clip, and washer to the side.

Align the holes on the lifting rod on the backside of the footrest to the chair body base rod and insert the base rod pin. Place washer on end of the base rod pin, then insert the metal clip to secure.



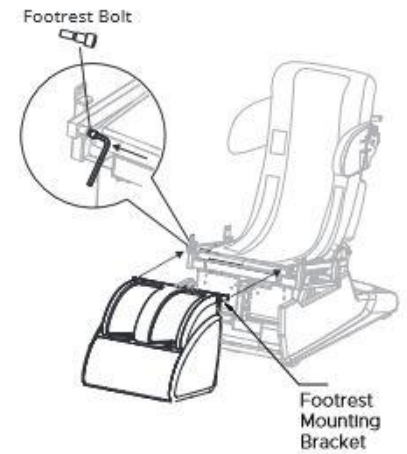
5 Step 5:

Connect the footrest electrical cord and air hose to the electrical port and air hose nozzle located in the footwell of the chair body.



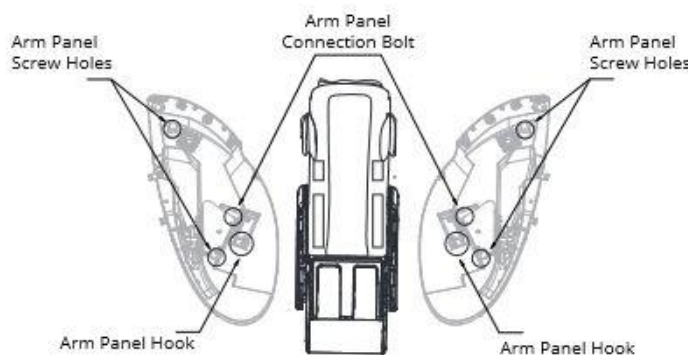
6 Step 6:

Lift the footrest and align the ends of the footrest mounting bracket with the two locations on the chair body where you removed the bolts in step 4. Ensure there is a washer on either side of the mounting bracket, then re-insert the footrest bolts you removed one side at a time, making them finger tight. Once they are both on, secure by fastening the bolts with the provided hex key.



7 Step 7:

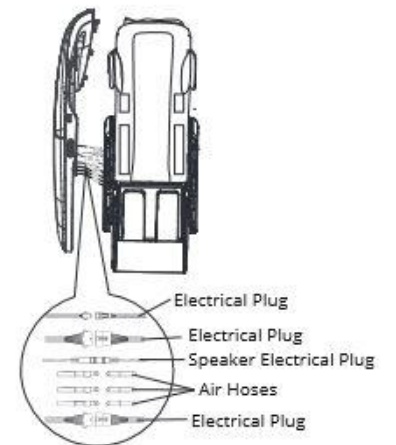
Locate both arm panels (found in box 2). There is a left and right arm panel - indicated by yellow stickers on the inside of the arm panel. Place the corresponding arm panel next to its respective side of the chair body. Also, note the two locations of the screw holes on the inside of the arm panel, the arm panel hook and the arm panel connection bolt (there may be a piece of tape over the arm panel connection bolt. This tape is there for shipping purposes and should be removed).



8 Step 8:

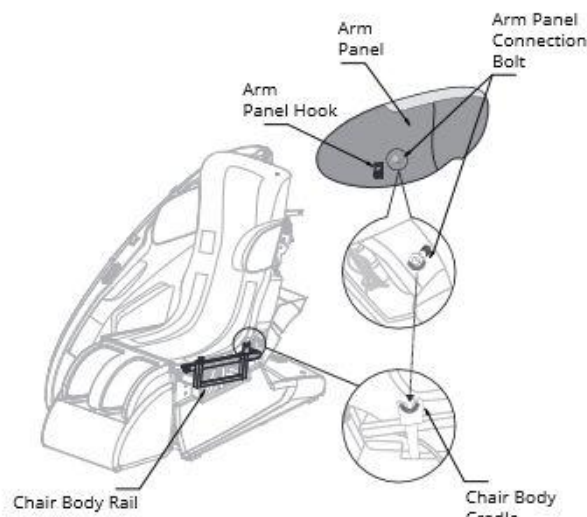
Start with the right arm panel. With a partner, lift the arm panel up to the chair body and connect all electrical plugs and air hoses (7 in total). Notice the air hoses are color coded, connect to corresponding nozzles by matching the colors. Also, notice that each electrical cord has a unique shape and size and will only fit into its respective chair body electrical port. When connecting the electrical cords to the electrical ports, do so gently to ensure you are making the correct connections. Do not force. Once you are certain you have the correct connection, push together until you hear a click sound.

Note: If you have trouble connecting the air hoses, you may need to remove the air hose connector from the arm panel air hose, making sure the spring inside the air hose does not fall out when you do.



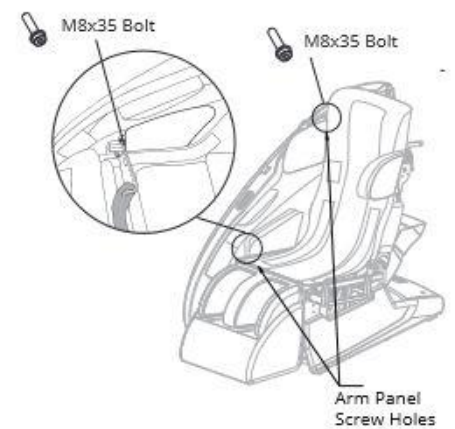
9 Step 9:

Lift the arm panel and place connection bolt into the cradle found on the side of the chair body. At the same time, ensure the arm panel hook rests over the chair body rail. Make sure all electrical and air hose connections are out of the way and not pinched between the arm panel and chair body before continuing.



10 Step 10:

Insert the M8 x 35 arm panel bolts through the chair body frame and into the arm panel screw holes identified in step 8. To secure the arm panel to the chair body, fasten the two arm panel bolts, as well as the arm panel connection bolt using the m8 hex key provided.



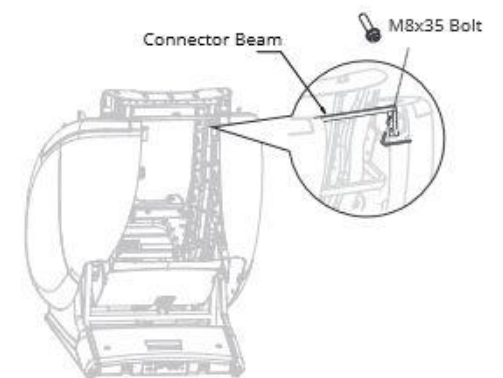
11 Step 11:

To attach the Left arm panel, **repeat steps 8-10**. The only difference being that there is an extra connection port for heat on the left side. Move the heat connection port out from between the arm panel and the chair body and place it on the chair body **before repeating step 9** for the left arm panel.



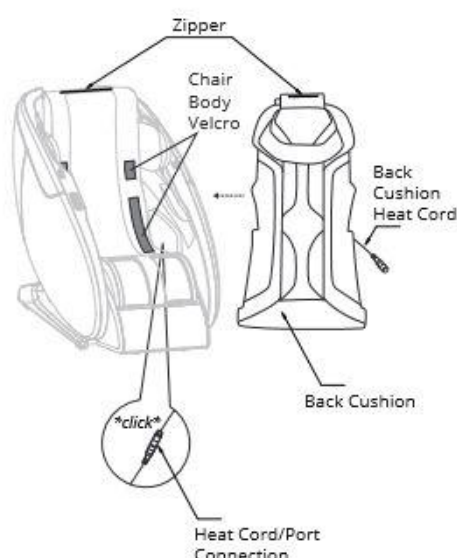
12 Step 12:

Once the arm panels are secured, move to the back of the chair. Locate the connector beam (found in the accessory box). Align the holes on each end of the connector beam to the screw holes on the top inside of both arm panels. To secure, insert the M8x35 bolts into the screw holes. Fasten with the provided M8 hex key.



13 Step 13:

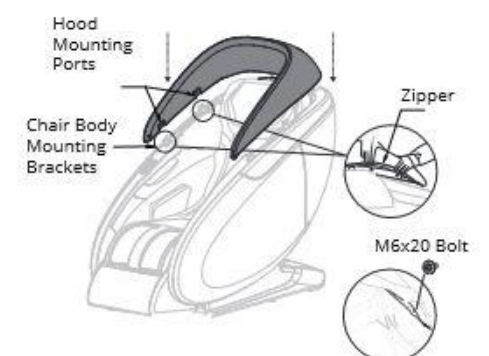
Locate the back cushion (found in box 1). Remove the protective covering from the back cushion. Remove the fabric coverings from the chair body velcro. Connect the back cushion to the top of the chair by attaching the zippers, then drape the back cushion over the front of the chair body, making sure the velcros are aligned. Push down firmly on velcros to secure.



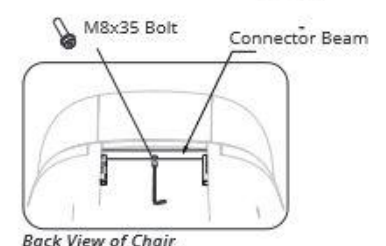
Connect the back cushion heat cord to the heat cord port located on the left-hip side of the chair body. Press both ends together firmly until you hear a click.

14 Step 14:

Locate the Hood (found in Box 1). Un-zip the two zippers on the underside of the hood to reveal the hood mounting ports. Seat the hood on top of the chair body, making sure that the chair body mounting brackets insert into the hood mounting ports. Using the smaller M6x20 bolts, fasten the hood into place on both sides with the hex key, then close both zippers on the underside of the hood.



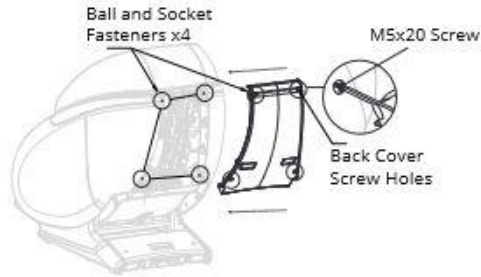
Orient yourself at the back of the chair. To secure the hood to the chair, insert an M8x35 bolt through the underside of the connector beam up into the hood and fasten with the hex key.



15

Step 15:

Position the back cover so that the ball and socket fasteners are aligned, then press into place until you feel a snap to secure. Insert M5x20 screws into the four screw holes. Tighten with the phillips head end of the M6 hex key.



16

Step 16:

Plug the remote control cord into the remote control port located under the right side of the seat cushion. Ensure the arrows on the top of the remote control cord and the remote control port are aligned before connecting. Screw on to fasten. Do not force.



17

Step 17:

Connect the chair power cord to a grounded 110V electrical outlet and plug it into the respective port on the back side of the base of the chair (see step 2). Flip the main power switch to on.



Power on the remote and select AUTO program to start a session.



SCAN CODE

Register your product at www.kyotamassagechairs.com/warranty/registration to ensure it is in our system. This will simplify the warranty process should you ever need it.

Alternatively, scan the QR code to go directly to the URL above.

KYOTA | The Worlds Most Advanced Massage Chairs



Assembly Guide

M680 Kaizen 3D/4D Massage Chair