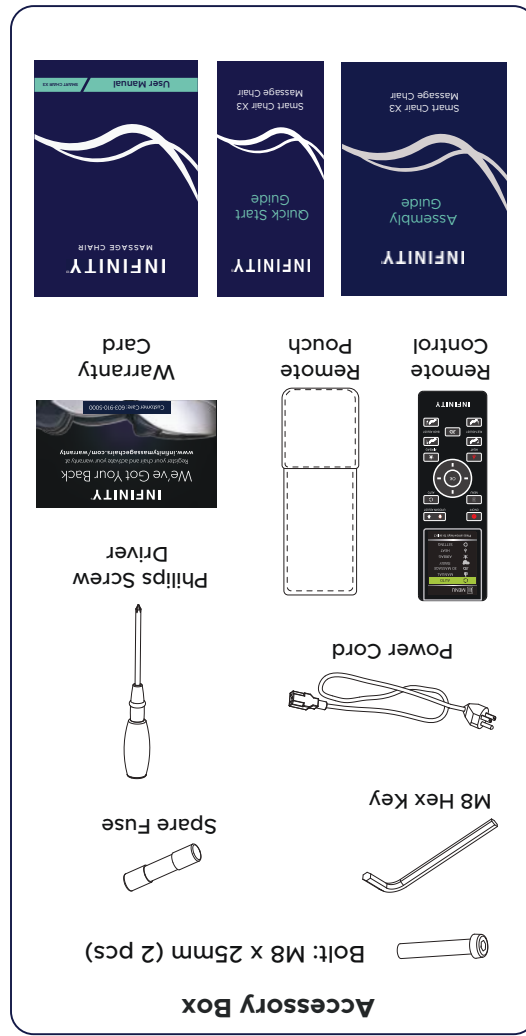
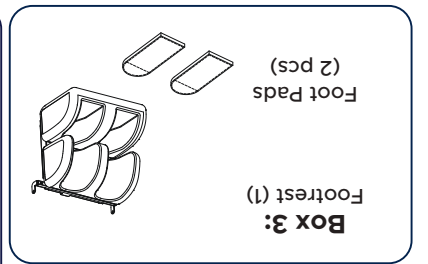
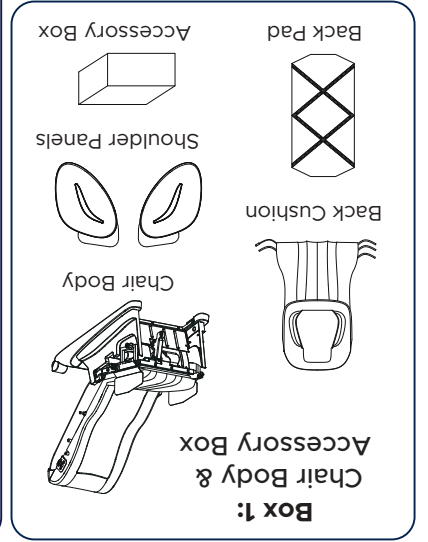


Step 1: Carefully check box contents to the detail below, making sure all contents are accounted for.



Or Scan Code

If anything is missing, please contact INFINITY at 603-910-5000. Do not return to the place of purchase.



1

INFINITY[®]

MESSAGE CHAIRS

Assembly Guide

Smart Chair X3 Massage Chair

Step 2: Connect the chair power cord to a grounded 110V electrical outlet and plug it into the respective port on the back side of the base of the chair. Flip the main power switch to on.

2

Step 3: Plug the remote control cord into the remote control port also located on the backside of the base of the chair. Ensure the **arrow** on the top of the remote control cord is **facing up**; screw on to fasten. Do not force.

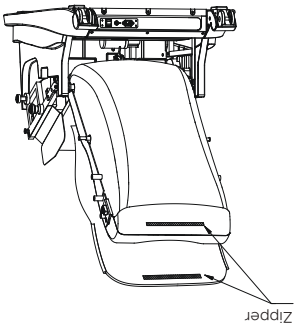
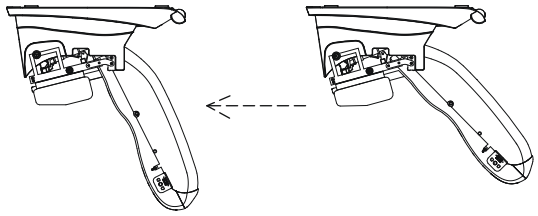
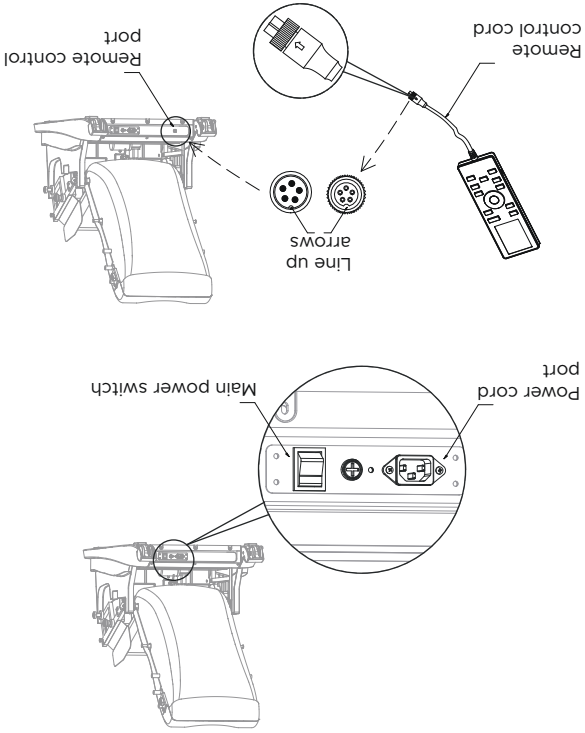
3

Step 4: Press the power button on the remote control once to turn on, then once more to bring the chair into upright position. To protect you and the remote control during assembly, unplug it from the chair and switch the main power off.

4

Step 5: Attach the back cushion by draping it over the top of the chair body and zipping it to the zipper located on the top of the back of the chair body.

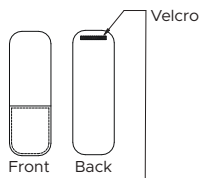
5



Final Check:

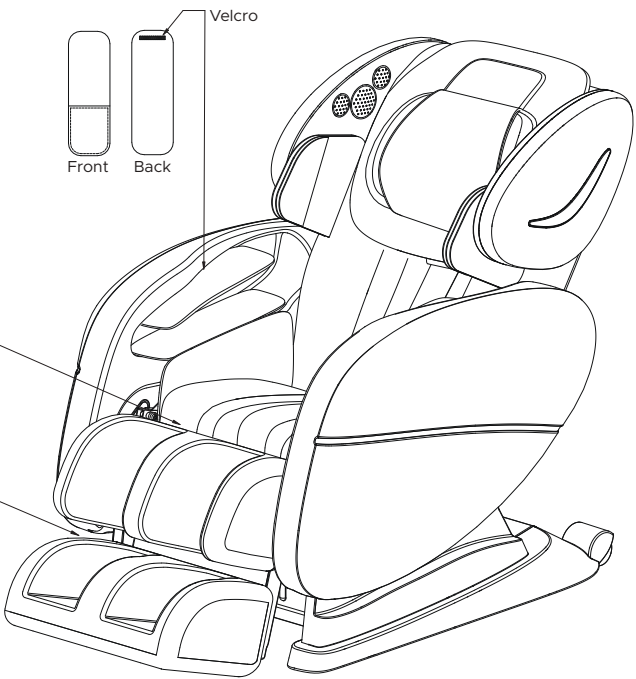
Plug the remote cord back into the input port located on the back of the base of the chair. Ensure the arrow on the top of the input jack is facing up.

Remote Pouch
Attach remote pouch using velcro found underneath the right arm rest



Zipper the closure between the Footrest and Chair Body

Ensure the Footrest assembly swings freely up and down, Electrical connections are firmly attached and air hose is secure. Remove the foot pads to **increase foot roller intensity**, if desired.



Review chair for smooth operation. If things are not operating correctly, review all assembly steps. Call Infinity support at 1-603-910-5000 if you need live US-based support.

If you wish to use an APP to control the chair, download from the Apple or Google app store and follow pairing instruction found within the APP.

You are done; time for a Massage!

Power on the remote and select AUTO program to start a session.

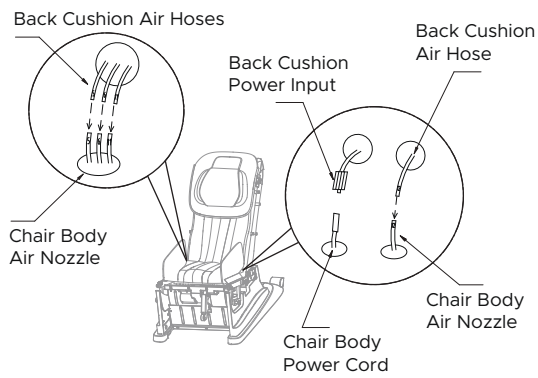


Go to www.infinitymassagechairs.com/warranty to register your chair and enable full support for your warranty.

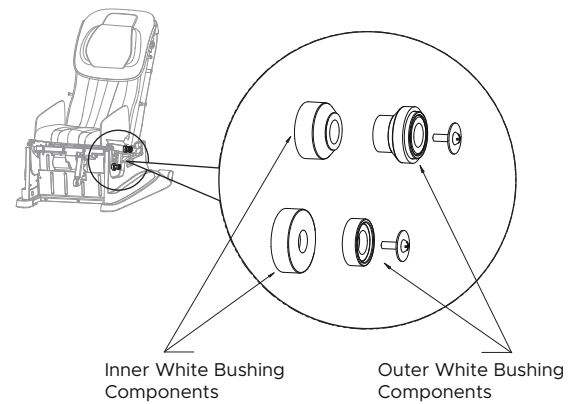
INFINITY

MASSAGE CHAIRS

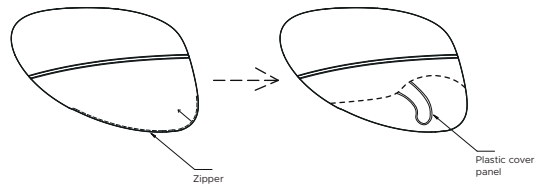
6 Step 6: On the **left-hip side**, locate and connect the air hose to the air nozzle on the body of the chair; also connect the power input to the chair body power cord and fasten. On the **right-hip side**, locate and connect the three air hoses from the back cushion to their corresponding air nozzles based on the numbers labelled on each. Zipper the closure between the Seat Cushion and Back Cushion.



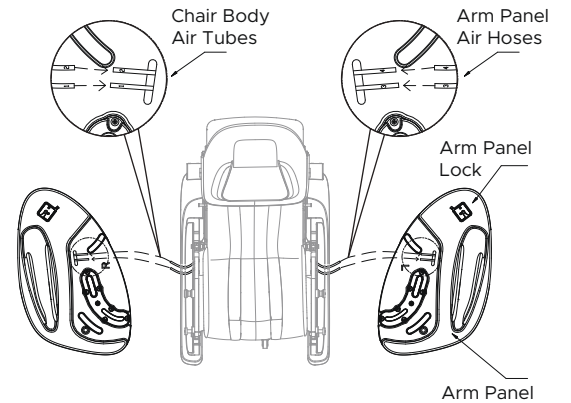
7 Step 7: Remove the outer components of the two white bushings located on the side of the chair, leaving the inner components on the chair body. Set aside, taking note that the **larger** bushing goes in the **upper rear** position and the **smaller** one goes in the **lower front** position.



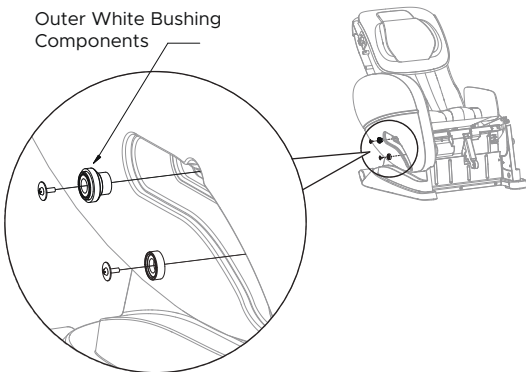
8 Step 8: Prepare Arm Panel for assembly by opening zipper on bottom of panel. Pull flap open to reveal plastic cover panel. Remove plastic cover panel from the arm panel.



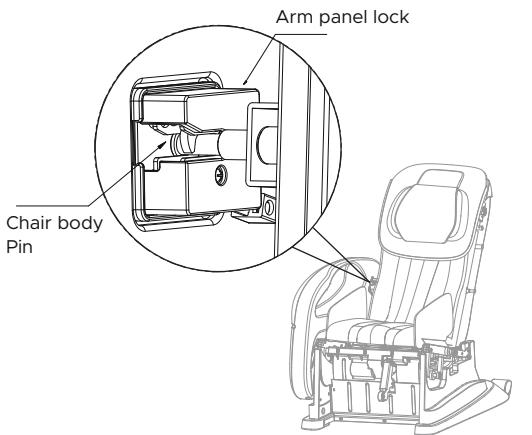
9 Step 9: Position Arm Panels on corresponding side of the chair, such that the Arm Panel Lock is at the back. Locate and attach the two Arm Panel air hoses to their respective air nozzles on the chair, making sure to match up numbers.



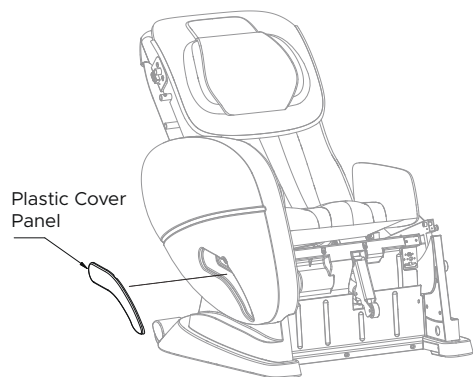
10 Step 10: Align the two pins on the Chair Body with the slots on the Arm Panel, making sure the air hoses are out of the way. Use your body for support to hold it in place. Re-attach the outer components of the front bushing first, then the rear. Hand screw into place.



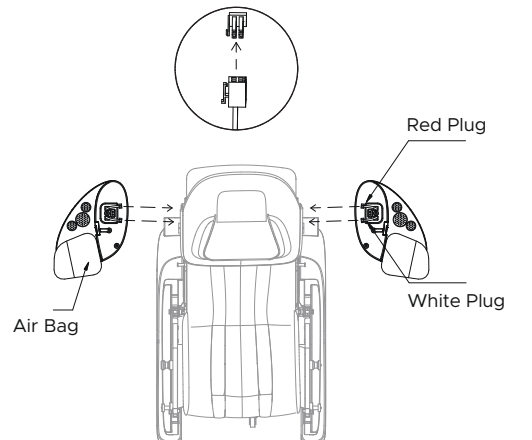
11 Step 11: Shimmy the arm panel upward and towards the front of the chair until the pin on the side of the chair body secures into the arm panel lock.



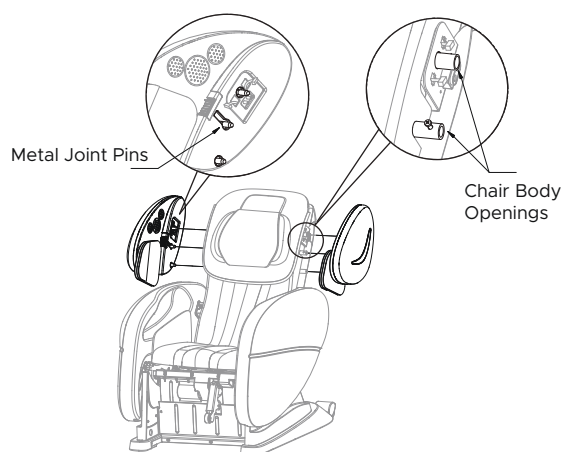
12 Step 12: Using the provided screwdriver, tighten both the front and rear bushings firmly into place. Cover the opening using the provided plastic cover panel, then zipper the faux leather cover flap shut.



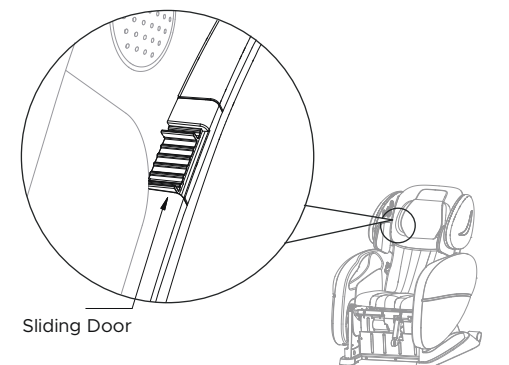
13 Step 13: Before attaching the shoulder panels, ensure the airbag is toward front of chair. Connect the red plug until it clips then connect the white plug until it clips.



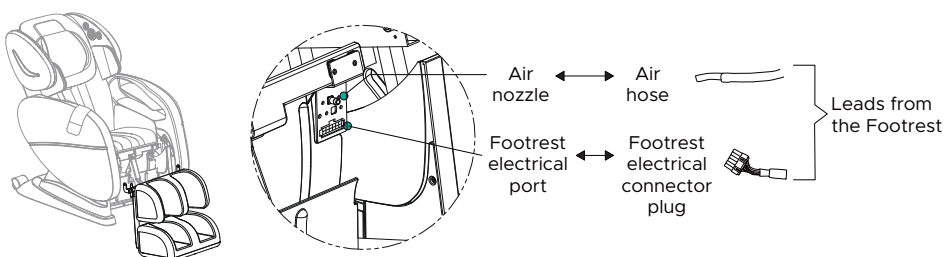
14 Step 14: Slide the metal joint pins into the opening on the chair body until the Shoulder Panel secures into place.



15 Step 15: On the inside of the shoulder panel, locate and open the small sliding door where you will see a screw. Screw in clockwise tightly and then close the sliding door when the shoulder panel is fully secured.



16 Step 16: Remove the footrest from its packaging and position it in front of the main chair body. Connect the footrest by attaching the electrical plug from the footrest into the port on the body of the chair. Ensure the thumb release is facing up and push in until it snaps. Slide the air hose onto the white air nozzle.



17 Step 17: Lift up and pull back flap on the footrest. Slide the footrest in and shift it until the mounting bracket is properly aligned with the screw holes located on the chair's body. Insert the hex screws through the screw holes to fasten the footrest to the body of the chair. Repeat on other side. Tighten with Hex Key.

